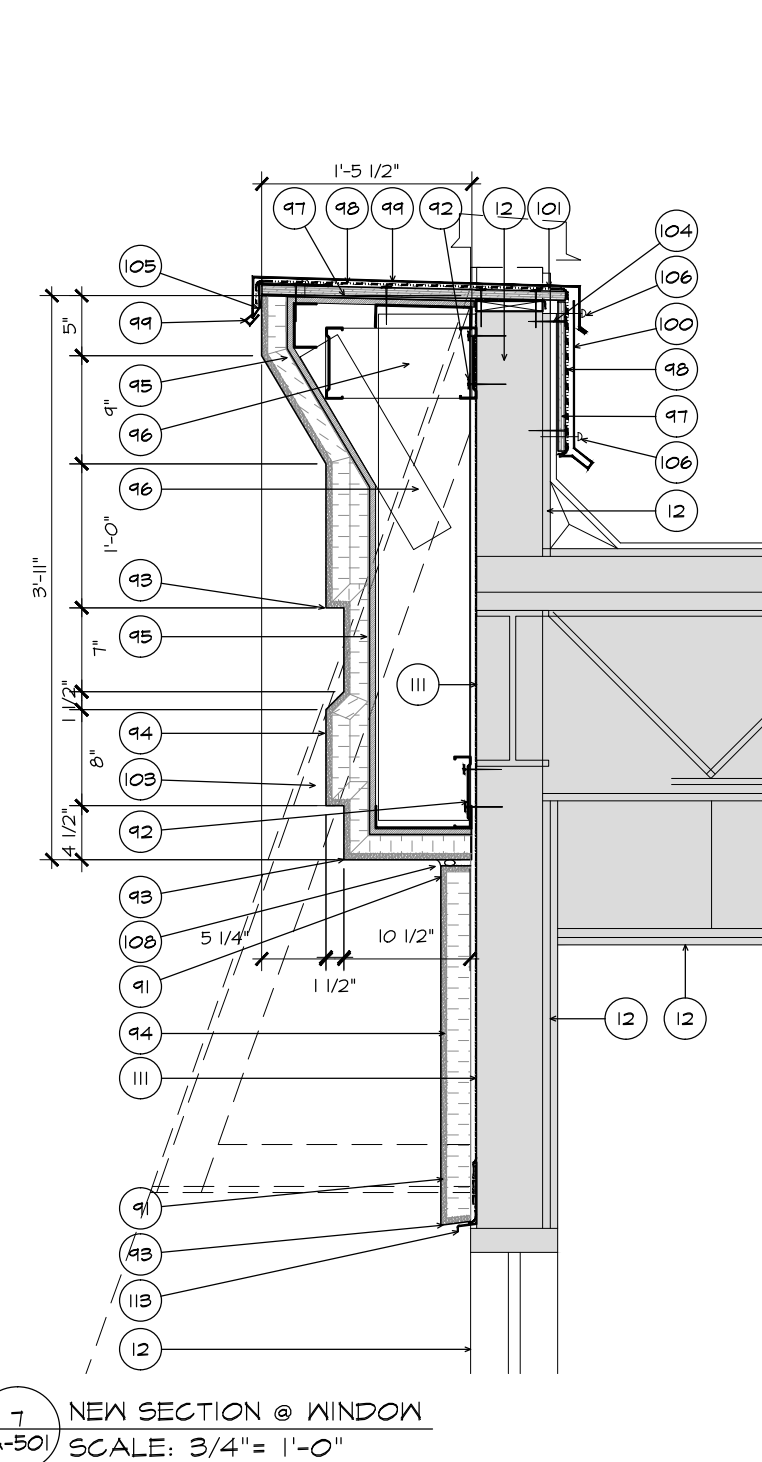
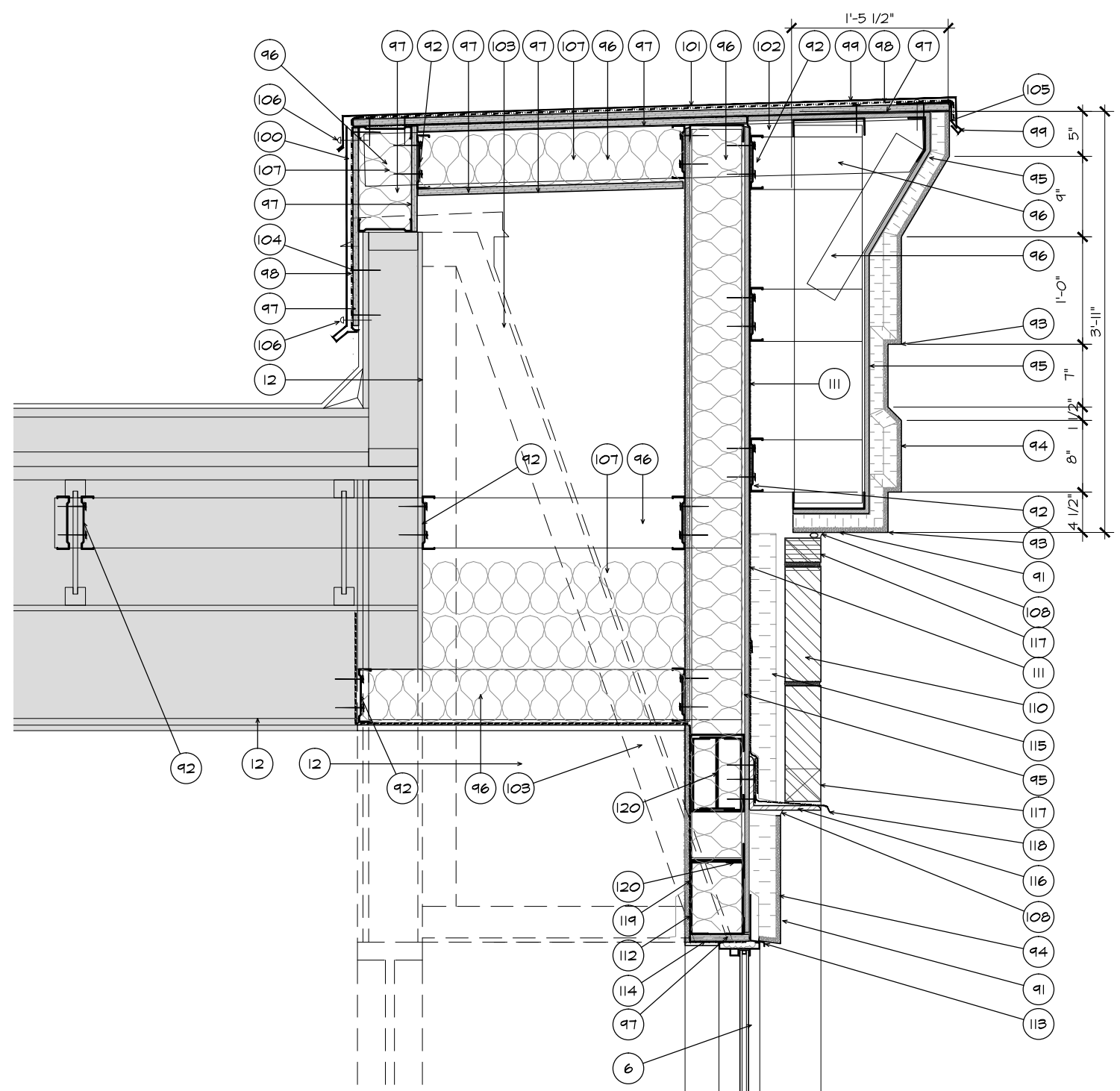


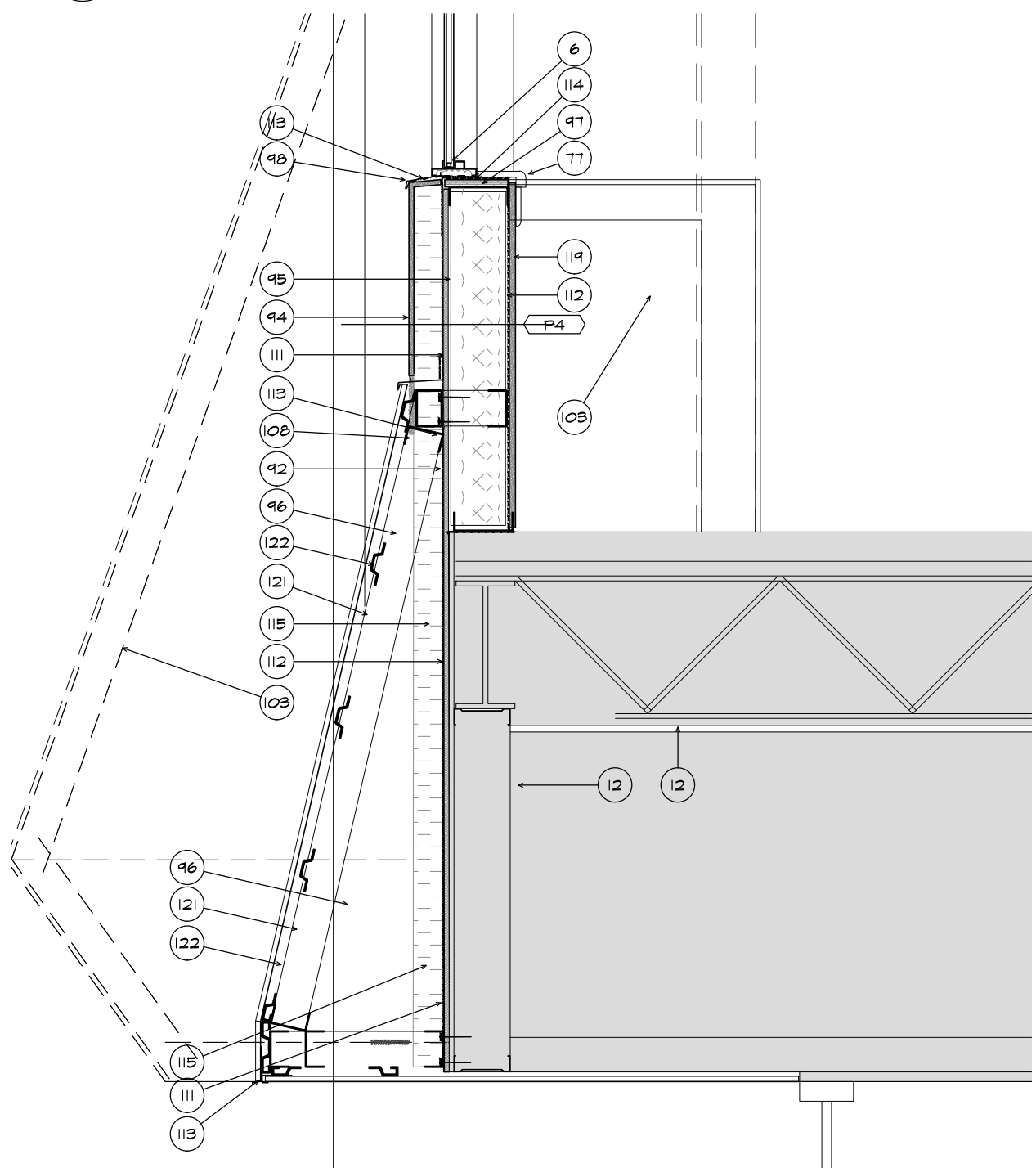
5 NEW SECTION @ WINDOW
A-50/ SCALE: 3/4" = 1'-0"



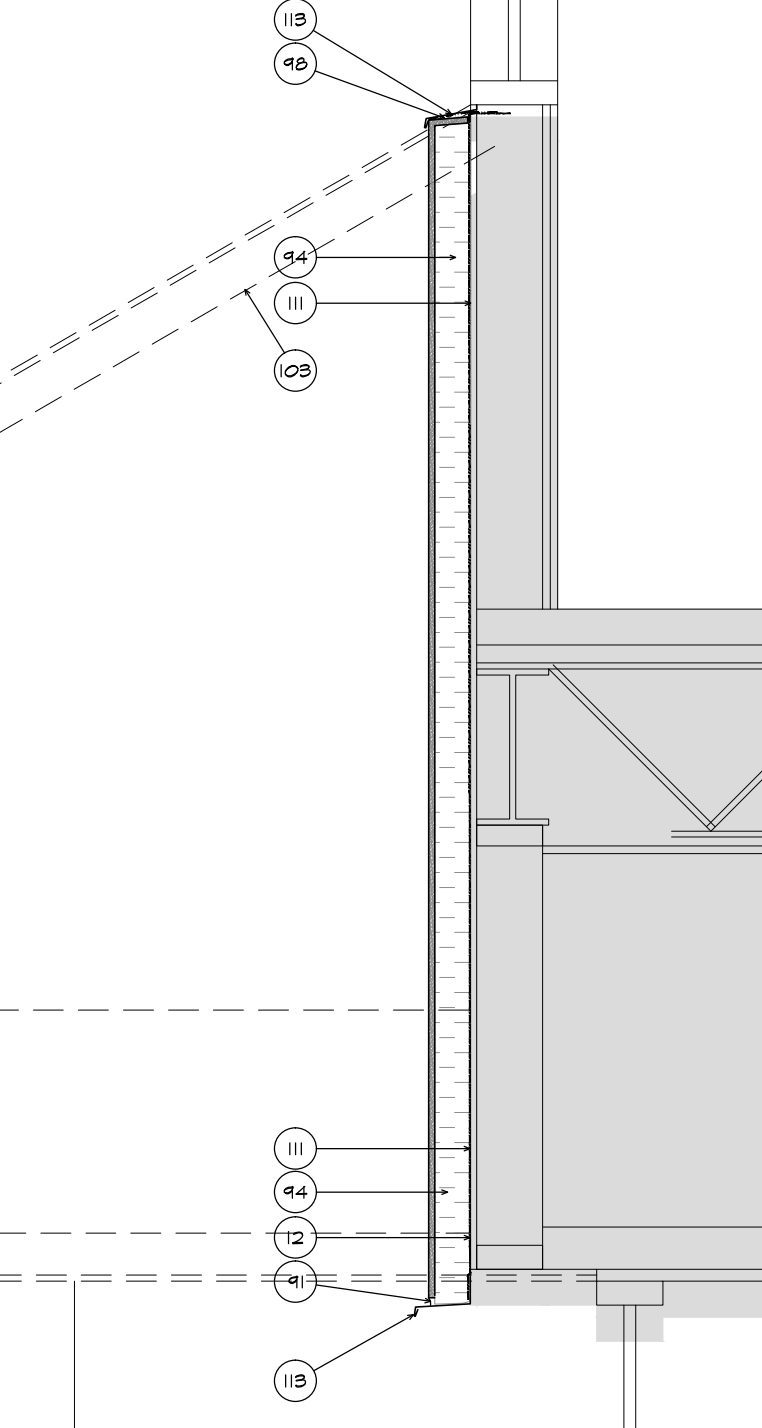
7 NEW SECTION @ WINDOW
A-50/ SCALE: 3/4" = 1'-0"



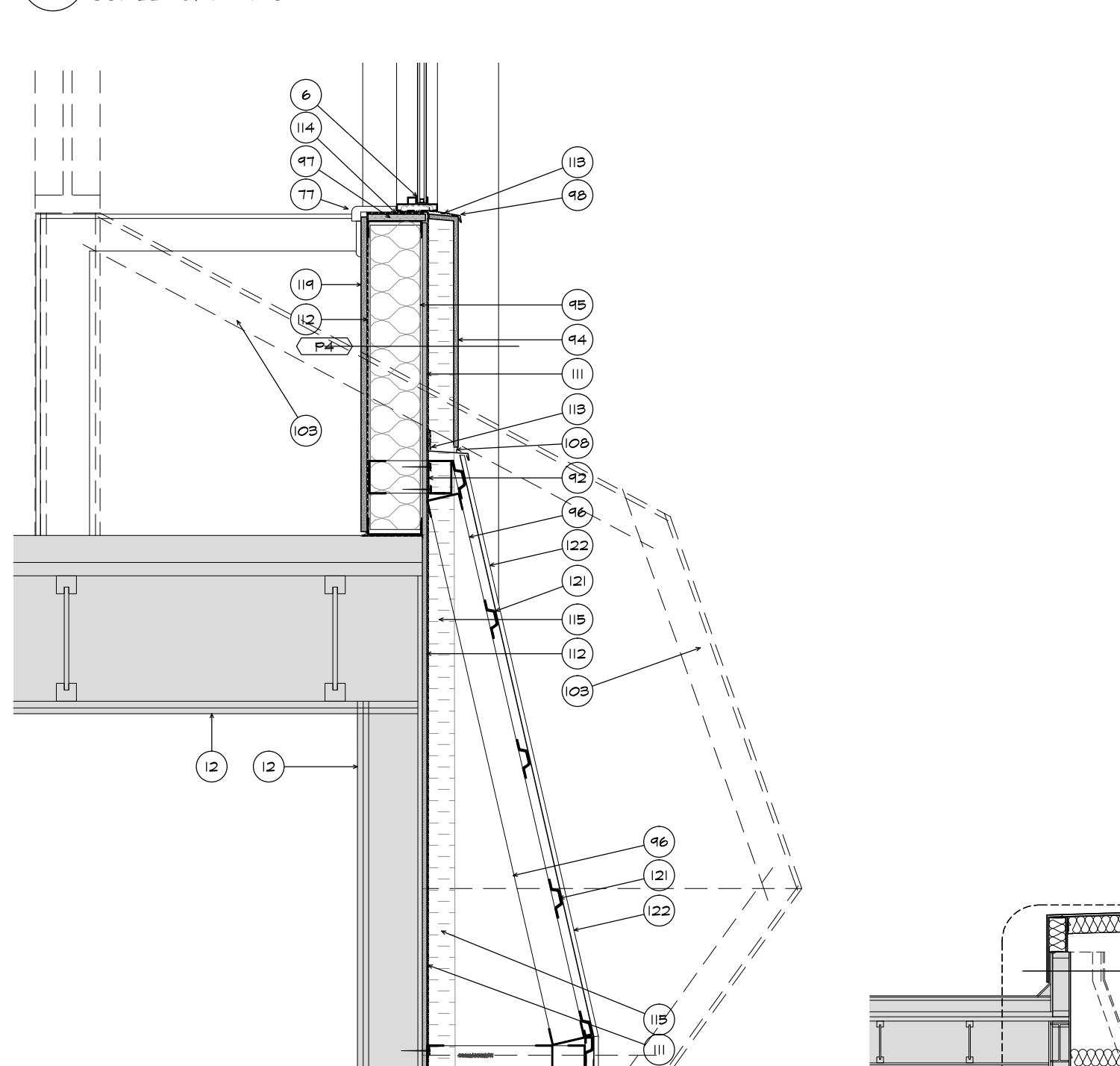
8 NEW SECTION @ WINDOW
A-50/ SCALE: 3/4" = 1'-0"



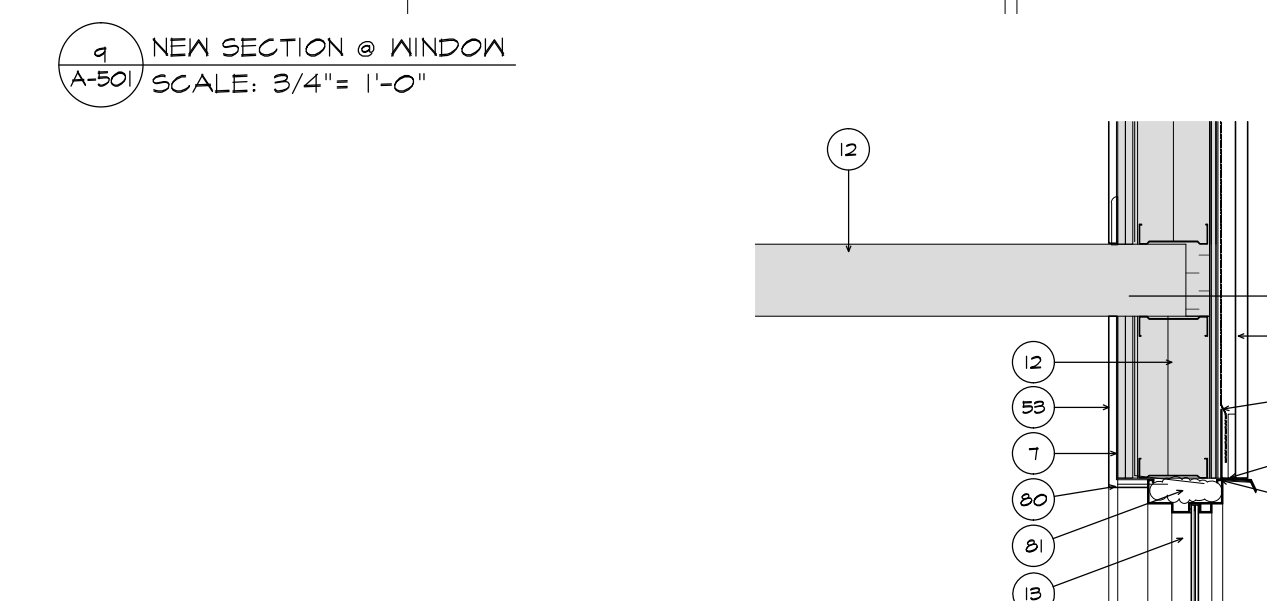
6 NEW SECTION @ WINDOW
A-50/ SCALE: 3/4" = 1'-0"



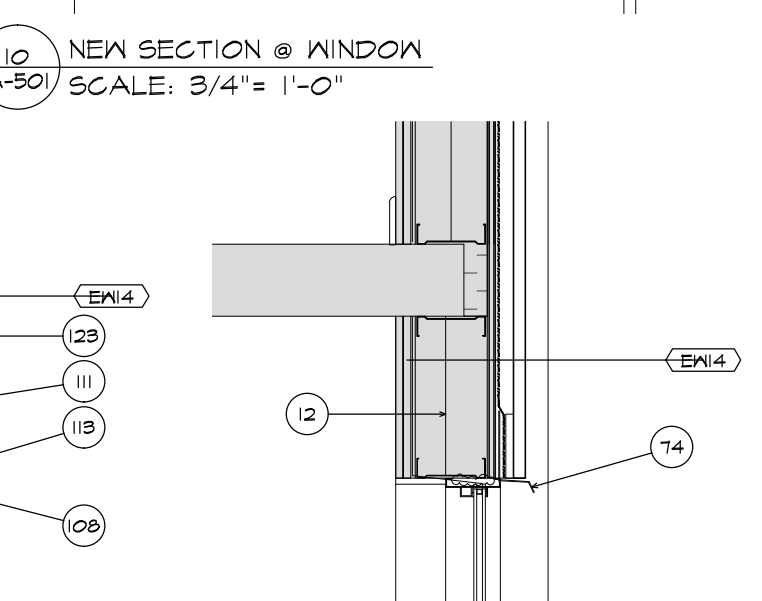
10 NEW SECTION @ WINDOW
A-50/ SCALE: 3/4" = 1'-0"



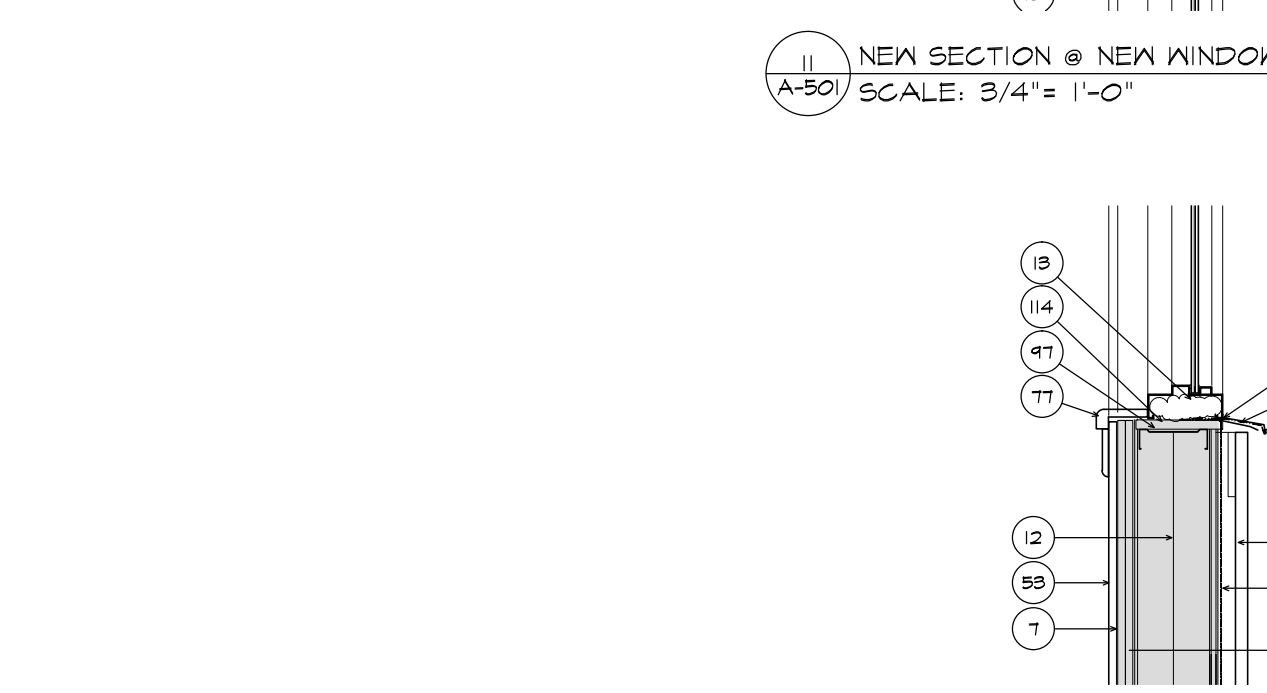
9 NEW SECTION @ WINDOW
A-50/ SCALE: 3/4" = 1'-0"



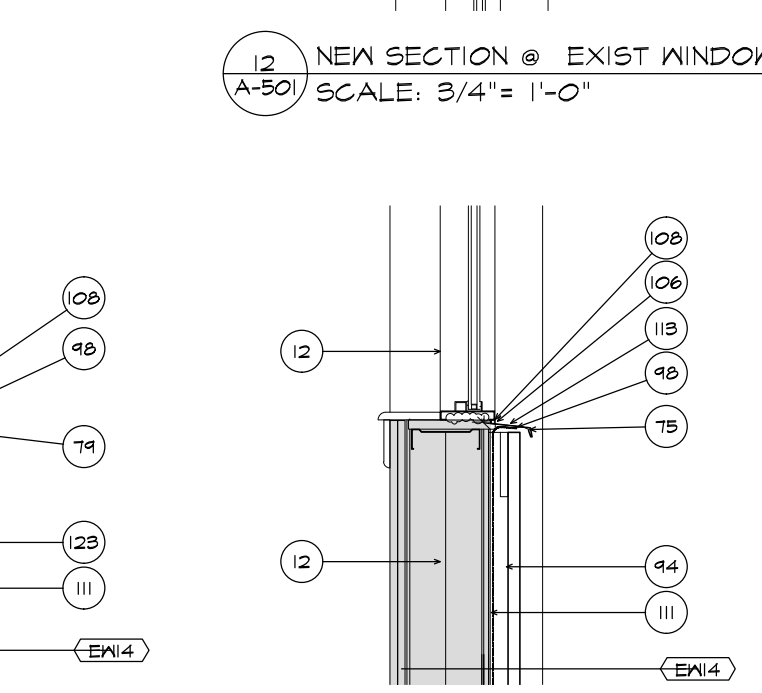
11 NEW SECTION @ NEW WINDOW
A-50/ SCALE: 3/4" = 1'-0"



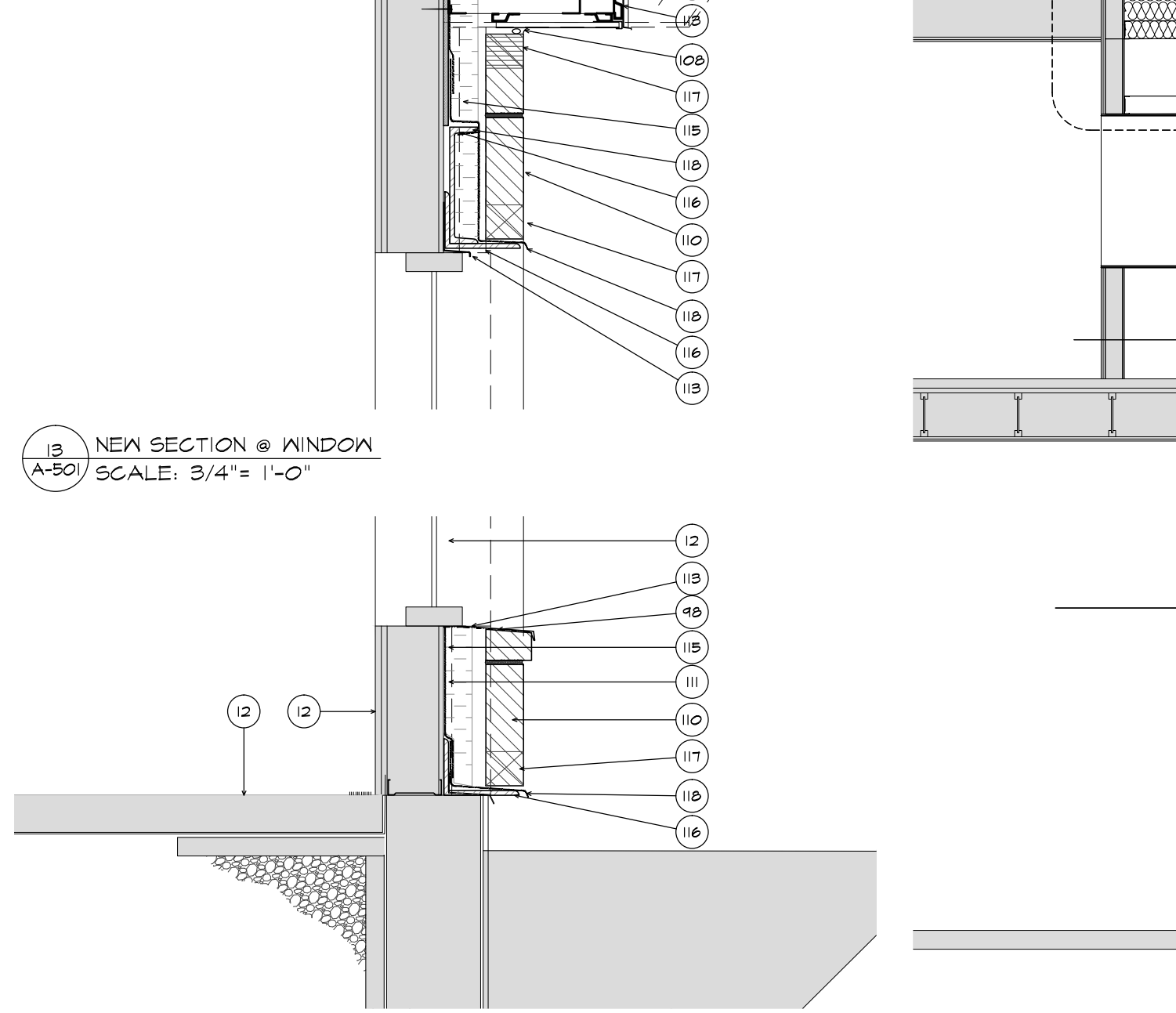
12 NEW SECTION @ EXIST WINDOW
A-50/ SCALE: 3/4" = 1'-0"



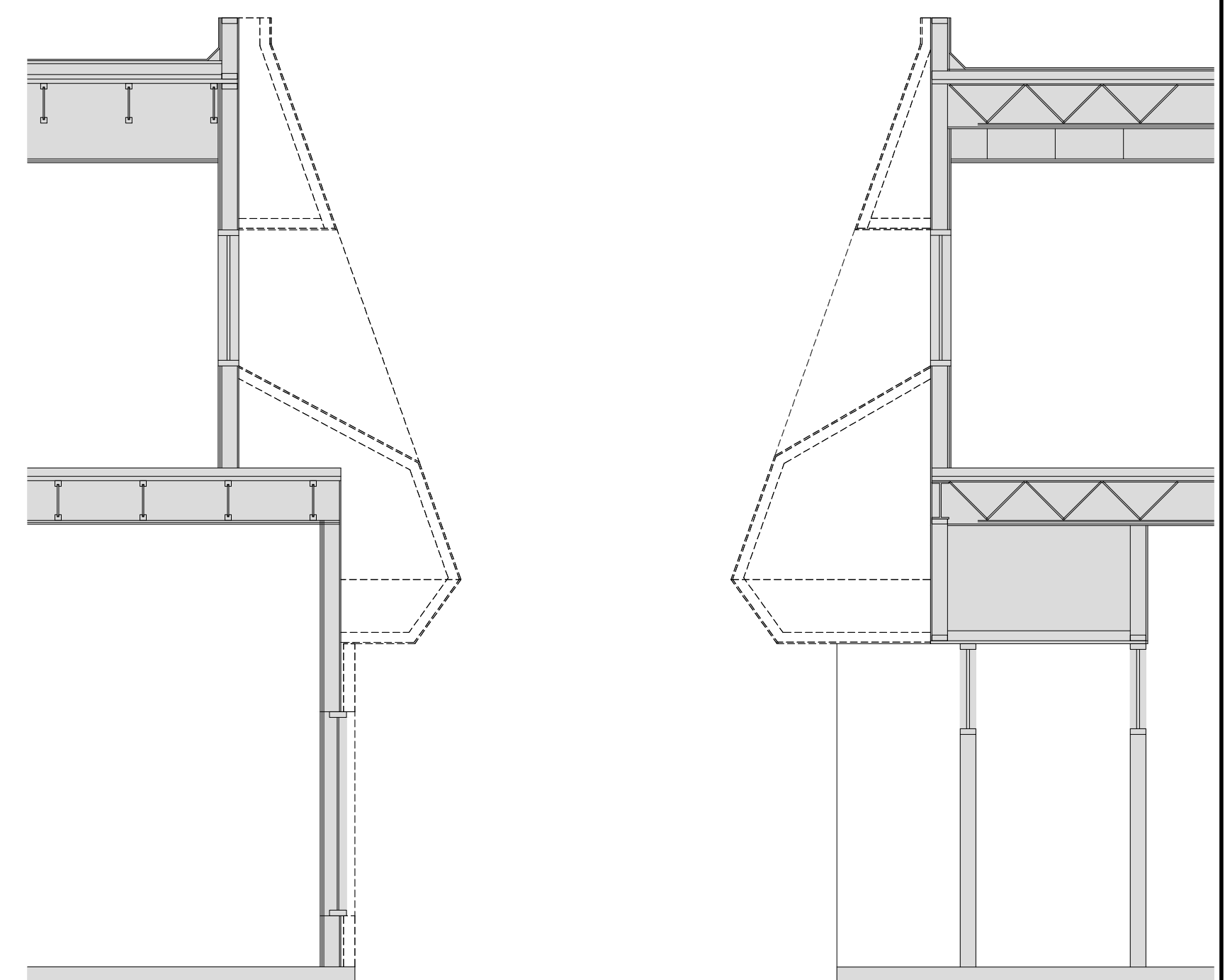
14 NEW SECTION @ NEW WINDOW
A-50/ SCALE: 3/4" = 1'-0"



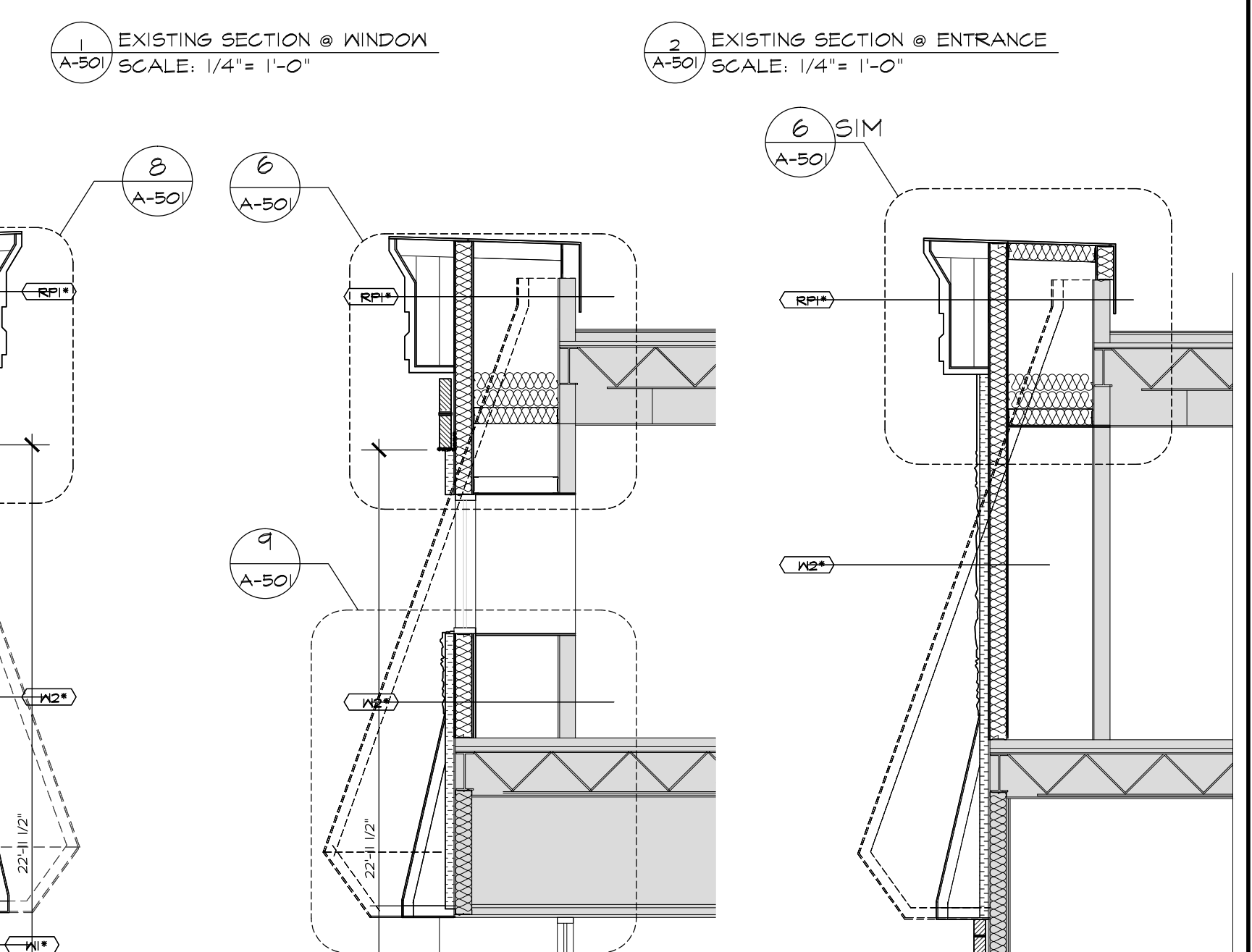
15 NEW SECTION @ EXIST WINDOW
A-50/ SCALE: 3/4" = 1'-0"



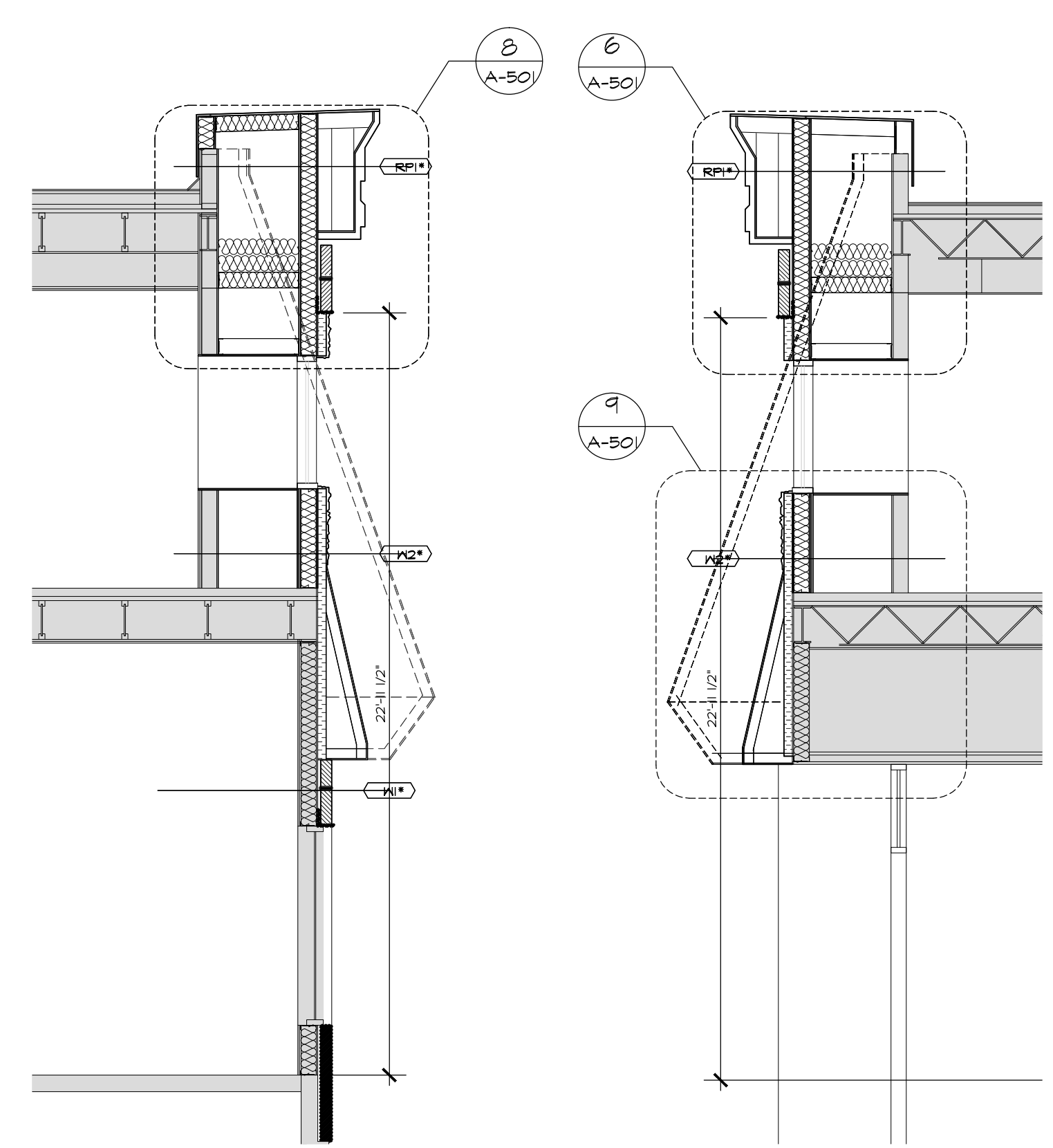
16 NEW SECTION @ WINDOW
A-50/ SCALE: 3/4" = 1'-0"



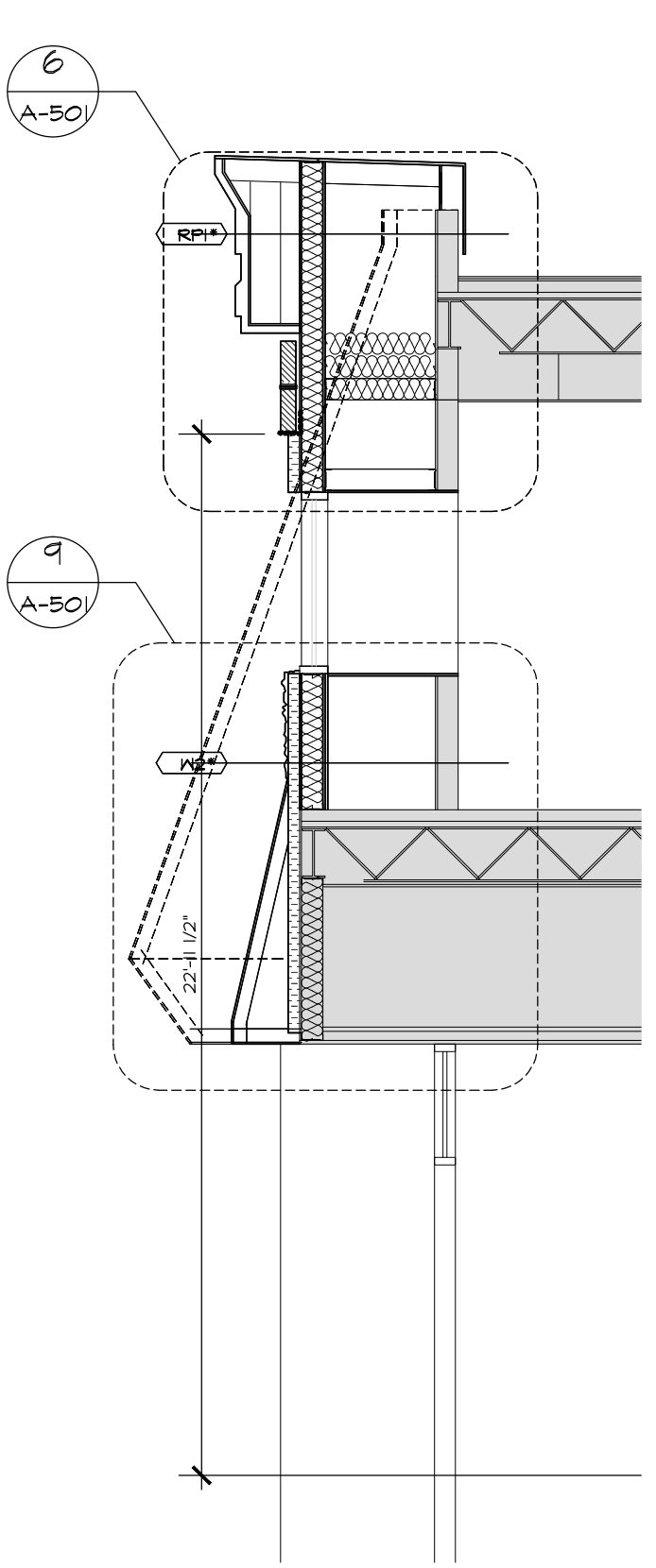
1 EXISTING SECTION @ WINDOW
A-50/ SCALE: 1/4" = 1'-0"



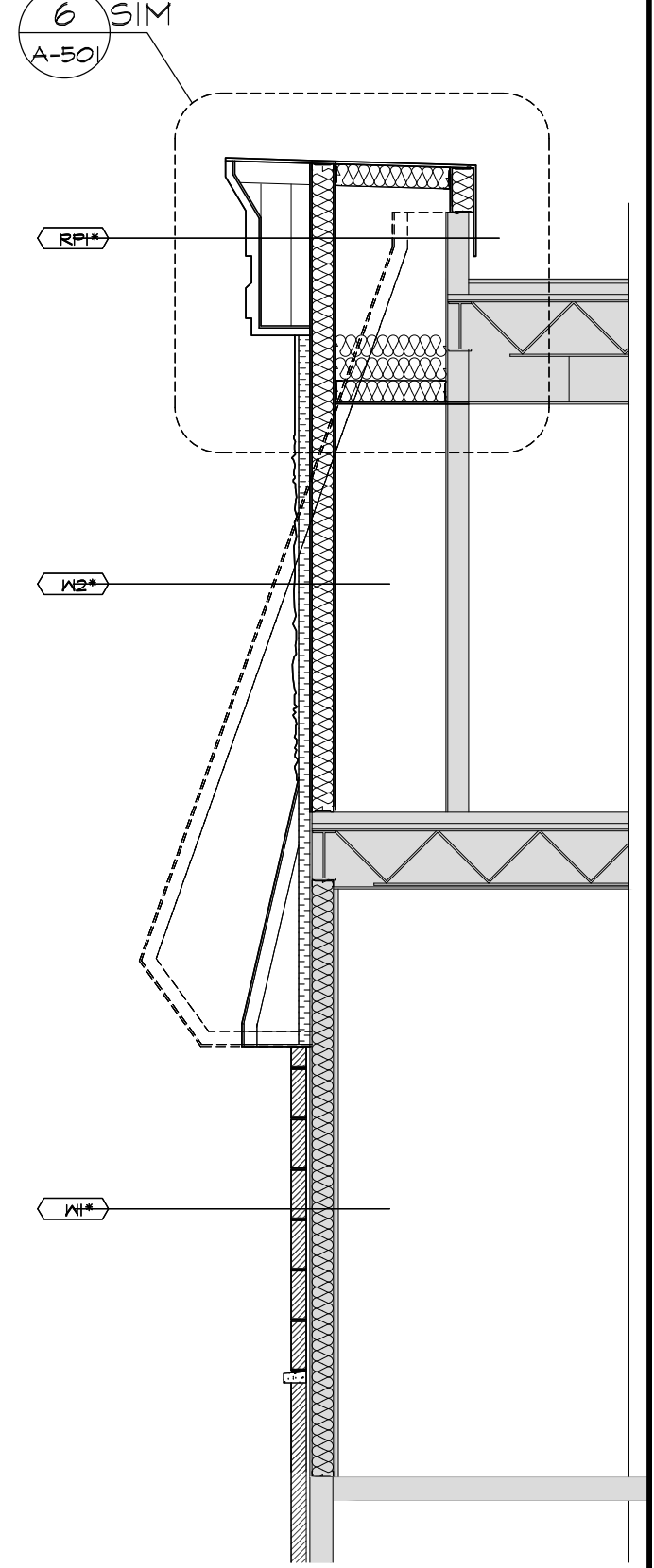
2 EXISTING SECTION @ ENTRANCE
A-50/ SCALE: 1/4" = 1'-0"



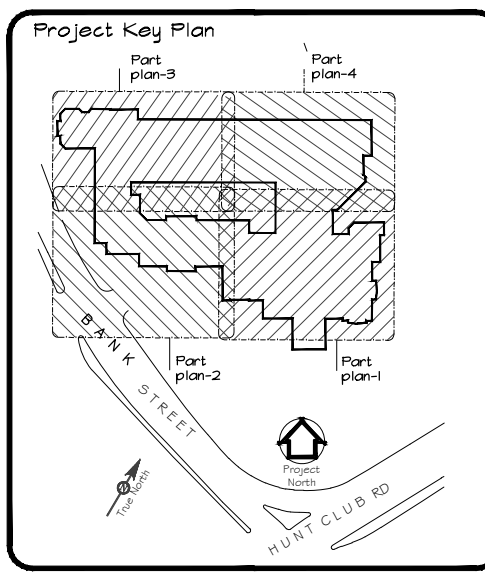
3 NEW SECTION @ WINDOW
A-50/ SCALE: 1/4" = 1'-0"



4 NEW SECTION @ ENTRANCE
A-50/ SCALE: 1/4" = 1'-0"



5 NEW SECTION (TYPICAL)
A-50/ SCALE: 1/4" = 1'-0"



- NOTES:
- 1) ALL WORK TO BE IN COMPLIANCE WITH LOCAL BUILDING CODES, REGULATIONS AND BYLAWS.
 - 2) ADDITIONAL DRAWINGS MAY BE ISSUED FOR CLARIFICATION TO ASSIST PROPER EXECUTION OF WORK. SUCH DRAWINGS WILL HAVE THE SAME MEANING AND INTENT AS IF THEY WERE INCLUDED WITH PLANS IN CONTRACT DOCUMENTS.
 - 3) DO NOT SCALE DRAWINGS.
 - 4) ALL SUB-CONTRACTORS TO TAKE THEIR OWN ON-SITE MEASUREMENTS AND BE RESPONSIBLE FOR THEIR ACCURACY. THESE DRAWINGS ARE ONLY A GRAPHIC REPRESENTATION OF WHAT THE FINAL COMPLETED WORK SHALL LOOK LIKE.
 - 5) NOTIFY SHAWN J. LAWRENCE ARCHITECT FOR ANY ERRORS AND/OR OMISSIONS PRIOR TO START OF WORK.

No.	DATE	REVISION
8	May 9, 16	General Plan Revisions
7	Nov 20, 15	General Plan Revisions
6	July 16, 15	General Plan Revisions
5	April 15, 15	Permit Revision Submission
4	Feb 10, 15	Revision to Ceilings
3	Jan 24, 15	Revisions to Plans
2	DEC 18, 14	PERMIT SUBMISSION
1	JULY 15, 14	SITE PLAN SUBMISSION
0	JAN 24, 14	PRELIMINARY REVIEW

SJL
S. J. LAWRENCE
ARCHITECT INCORPORATED
18 Franklin St., Suite 300, Orono, ME, 04471
Tel: 403.739.7791 Fax: 403.739.7383
Email: sjl@sjlarch.com

THIS DRAWING IS THE SOLE PROPERTY OF SHAWN J. LAWRENCE ARCHITECT INC. REPRODUCTION IS NOT PERMITTED.

DRAWN BY: MG & JB	DESIGNED BY: S.J.L.
DATE: MAR '14	CHECKED BY: S.J.L. & JB
SCALE: AS INDICATED	PLOT DATE: JULY 16, 2015

PROJECT: SOUTHWAY INN
RETRO-FIT
RETIREMENT HOME

JOB NO.: SL-697-13

SECTION