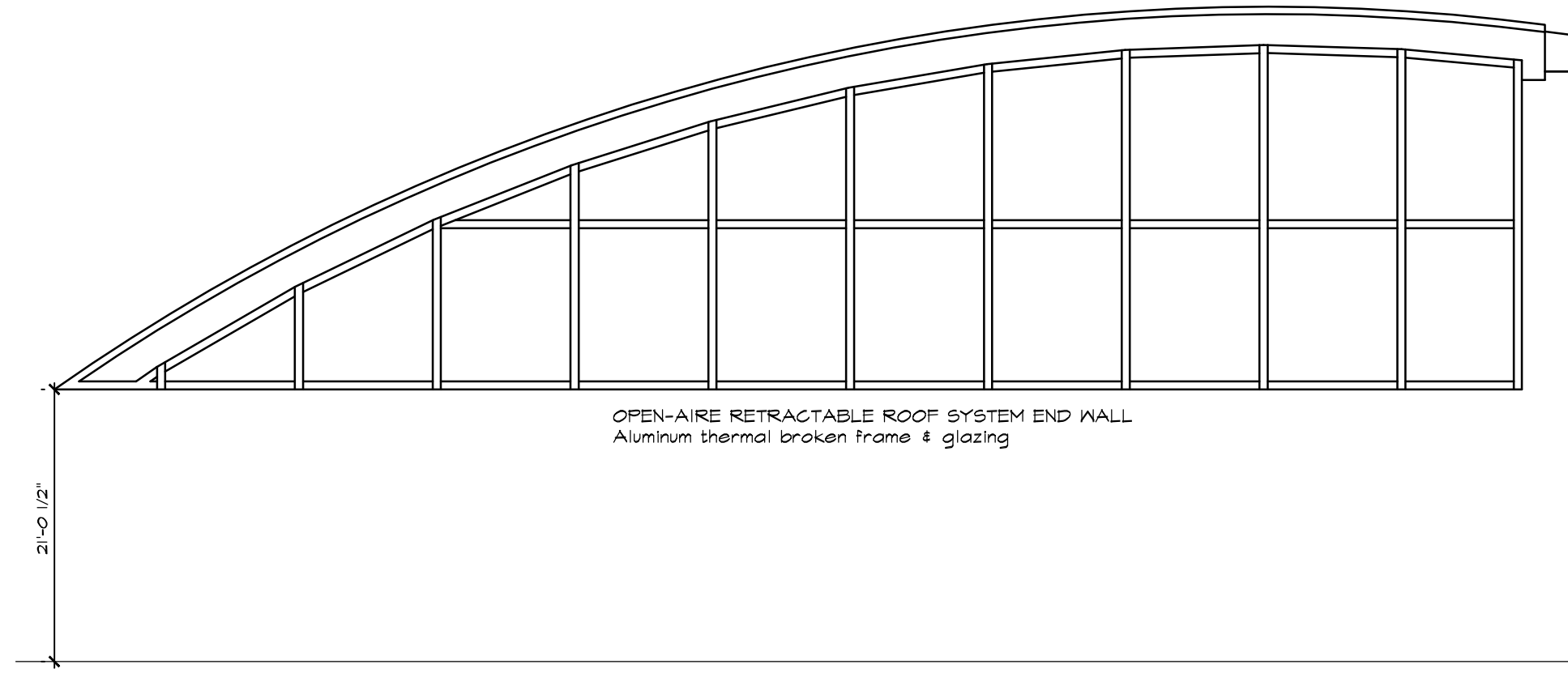
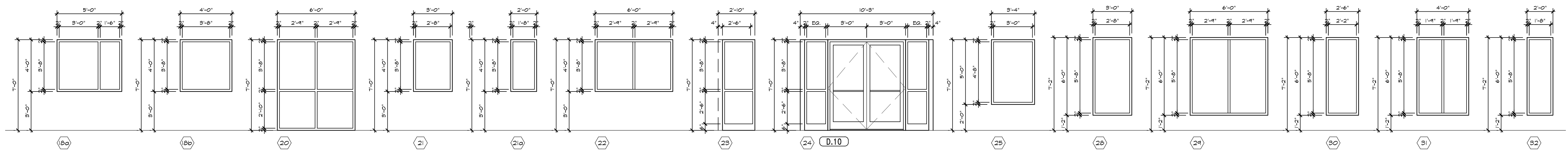
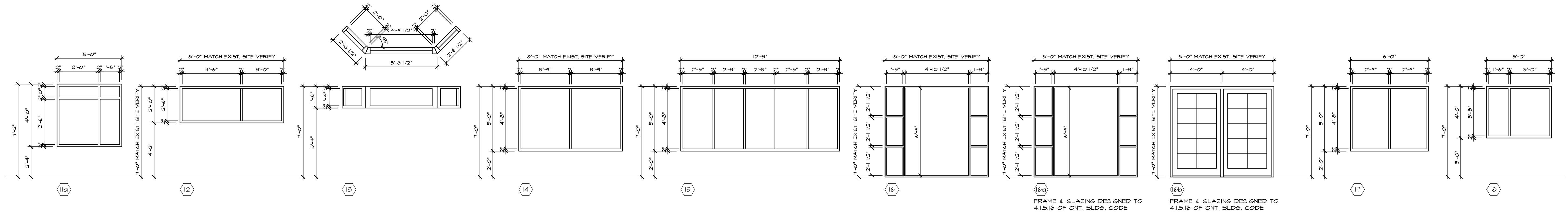
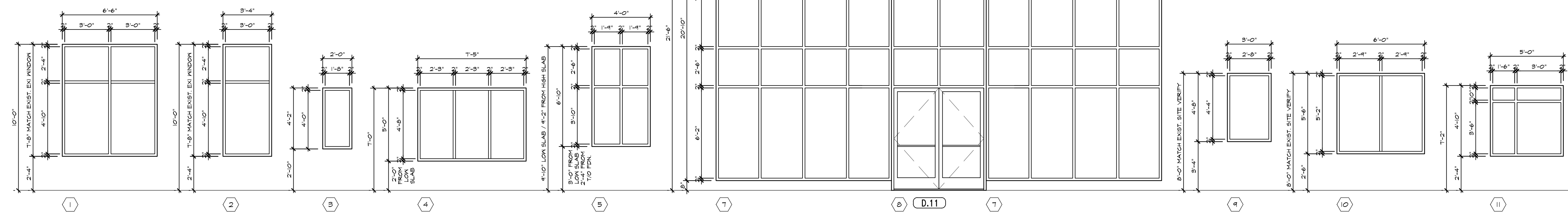
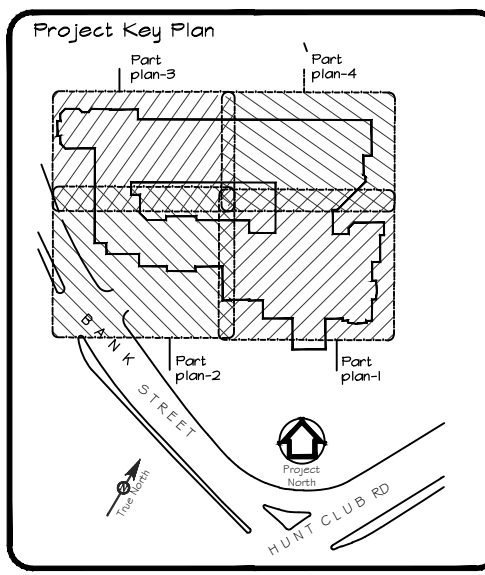


- NOTES:
- SP. = INSULATED SPANDREL PANEL
 - GWG = GEORGIAN WIRED GLASS
 - ALL WINDOWS TO HAVE A MAX. U-VALUE OF U-2.56
 - ALL STORE FRONT TO HAVE A MAX. U-VALUE OF U-1.99
 - ALL ENTRANCE DOORS TO HAVE A MAX. U-VALUE OF U-3.97
 - EXTERIOR ALUMINUM FRAMES TO BE MATCH EXISTING
 - INTERIOR ALUMINUM FRAMES TO BE CLEAR ANODIZED



No.	QTY.	FRAME SIZE		FRAME MATERIAL	FRAME FINISH	FRAME ULC FRR	GLAZING	REMARKS
		WIDTH	HEIGHT					
1	1	6'-6"	7'-8"	ALUMINUM	TO MATCH EXIST.		CLEAR, DOUBLE GLAZING, LOW 'E' ARGON	HEIGHT & MULLION LOCATION TO MATCH EXIST. EXI WINDOW
2	6	3'-4"	7'-8"	ALUMINUM	TO MATCH EXIST.		CLEAR, DOUBLE GLAZING, LOW 'E' ARGON	HEIGHT & MULLION LOCATION TO MATCH EXIST. EXI WINDOW
3	3	2'-0"	7'-0"	ALUMINUM	CLEAR ANODIZED		CLEAR	
4	1	7'-5"	5'-0"	ALUMINUM	TO MATCH EXIST.		CLEAR, DOUBLE GLAZING, LOW 'E' ARGON	SILL @ 2'-0" FROM LOW SLAB
5	2	4'-0"	6'-10"	ALUMINUM	TO MATCH EXIST.		CLEAR, DOUBLE GLAZING, LOW 'E' ARGON	SILL @ 3'-0" FROM LOW SLAB
6	RESERVED							
7	2	12'-0"	12'-8"	ALUMINUM	TO MATCH EXIST.		CLEAR, DOUBLE GLAZING, LOW 'E' ARGON	SILL @ TOP OF FOUNDATION WALL
8	1	6'-6"	15'-8"	ALUMINUM	TO MATCH EXIST.		CLEAR, DOUBLE GLAZING, LOW 'E' ARGON	
9	1	3'-0"	4'-8"	ALUMINUM	TO MATCH EXIST.		CLEAR, DOUBLE GLAZING, LOW 'E' ARGON	HEAD OF WINDOW MATCH EXIST. SITE VERIFY
10	2	6'-0"	5'-6"	ALUMINUM	TO MATCH EXIST.		CLEAR, DOUBLE GLAZING, LOW 'E' ARGON	HEAD OF WINDOW MATCH EXIST. SITE VERIFY
11	1	5'-0"	4'-10"	ALUMINUM	TO MATCH EXIST.		CLEAR, DOUBLE GLAZING, LOW 'E' ARGON	
11a	1	5'-0"	4'-10"	ALUMINUM	TO MATCH EXIST.		CLEAR, DOUBLE GLAZING, LOW 'E' ARGON	
12	2	8'-0"	2'-10"	ALUMINUM	TO MATCH EXIST.		CLEAR, DOUBLE GLAZING, LOW 'E' ARGON	
13	1	1'-8"	1'-8"	ALUMINUM	TO MATCH EXIST.		CLEAR, DOUBLE GLAZING, LOW 'E' ARGON	BAY WINDOW, HEAD OF WINDOW MATCH EXIST.
14	1	8'-0"	5'-0"	PRESSED STEEL	PAINT	1.5 HR.	CLEAR, FIRE PROOF GLAZING	
15	1	12'-8"	5'-0"	ALUMINUM	TO MATCH EXIST.		CLEAR, DOUBLE GLAZING, LOW 'E' ARGON	
16	2	8'-0"	7'-0"	ALUMINUM	TO MATCH EXIST.		CLEAR, DOUBLE GLAZING, LOW 'E' ARGON	
16a	5	8'-0"	7'-0"	ALUMINUM	TO MATCH EXIST.		CLEAR, DOUBLE GLAZING, LOW 'E' ARGON	FRAME & GLAZING DESIGNED TO 4.1.5.16 OF ONTARIO BUILDING CODE
16b	2	8'-0"	7'-0"	ALUMINUM	TO MATCH EXIST.		CLEAR, DOUBLE GLAZING, LOW 'E' ARGON	FRAME & GLAZING DESIGNED TO 4.1.5.16 OF ONTARIO BUILDING CODE
17	4	6'-0"	5'-0"	PRESSED STEEL	PAINT	1.5 HR.	CLEAR, FIRE PROOF GLAZING	
18	2	5'-0"	4'-0"	ALUMINUM	TO MATCH EXIST.		CLEAR, DOUBLE GLAZING, LOW 'E' ARGON	
18a	2	5'-0"	4'-0"	ALUMINUM	TO MATCH EXIST.		CLEAR, DOUBLE GLAZING, LOW 'E' ARGON	
18b	2	4'-0"	4'-0"	ALUMINUM	TO MATCH EXIST.		CLEAR, DOUBLE GLAZING, LOW 'E' ARGON	
19	RESERVED							
20	1	6'-0"	7'-0"	PRESSED STEEL	PAINT		CLEAR	
21	2	3'-0"	4'-0"	ALUMINUM	TO MATCH EXIST.		CLEAR, DOUBLE GLAZING, LOW 'E' ARGON	
21A	1	2'-0"	4'-0"	ALUMINUM	TO MATCH EXIST.		CLEAR, DOUBLE GLAZING, LOW 'E' ARGON	
22	1	5'-0"	4'-0"	ALUMINUM	TO MATCH EXIST.		CLEAR, DOUBLE GLAZING, LOW 'E' ARGON	
23	2	2'-10"	7'-0"	ALUMINUM	CLEAR ANODIZED		CLEAR	
24	1	10'-8"	7'-0"	ALUMINUM	CLEAR ANODIZED		CLEAR	
25	5	3'-4"	5'-0"	ALUMINUM	CLEAR ANODIZED		CLEAR	
26	RESERVED							
27	RESERVED							
28	3	3'-0"	6'-0"	ALUMINUM	CLEAR ANODIZED		CLEAR	
29	2	6'-0"	6'-0"	ALUMINUM	CLEAR ANODIZED		CLEAR	
30	4	2'-6"	6'-0"	ALUMINUM	CLEAR ANODIZED		CLEAR	
31	1	4'-0"	6'-0"	ALUMINUM	CLEAR ANODIZED		CLEAR	
32	2	2'-0"	6'-0"	ALUMINUM	CLEAR ANODIZED		CLEAR	



- NOTES:
- ALL WORK TO BE IN COMPLIANCE WITH LOCAL BUILDING CODES, REGULATIONS AND BY-LAWS.
 - ADDITIONAL DRAWINGS MAY BE ISSUED FOR CLARIFICATION TO ASSIST PROPER EXECUTION OF WORK. SUCH DRAWINGS WILL HAVE THE SAME MEANING AND INTENT AS IF THEY WERE INCLUDED WITH PLANS IN CONTRACT DOCUMENTS.
 - DO NOT SCALE DRAWINGS.
 - ALL SUB-CONTRACTORS TO TAKE THEIR OWN ON-SITE MEASUREMENTS AND BE RESPONSIBLE FOR THEIR ACCURACY. THESE DRAWINGS ARE ONLY A GRAPHIC REPRESENTATION OF WHAT THE FINAL COMPLETED WORK SHALL LOOK LIKE.
 - NOTIFY SHAWN J. LAWRENCE ARCHITECT FOR ANY ERRORS AND/OR OMISSIONS PRIOR TO START OF WORK.

No.	DATE	REVISION
1	JAN 24/14	PRELIMINARY REVIEW
2	JULY 15/14	SITE PLAN SUBMISSION
3	DEC 18/14	PERMIT SUBMISSION
4	JAN 24/15	Revisions to Plans
5	FEB 10/15	Revision to Ceilings
6	APRIL 15/15	Permit Revision Submission
7	JULY 16/15	General Plan Revisions
8	NOV 20/15	General Plan Revisions
9	MAY 9/16	General Plan Revisions

SJL
S. J. LAWRENCE
ARCHITECT INCORPORATED
18 Beakley St., Suite 305, Ottawa, ON, K2P 2E7
Tel: 453-739-7771 Fax: 453-739-7383
Email: sjl@sjlarchitect.com

THIS DRAWING IS THE SOLE PROPERTY OF SHAWN J. LAWRENCE ARCHITECT INC. REPRODUCTION IS NOT PERMITTED

DATE	BY	DATE	BY
MAR '14	S.J.L.		

PROJECT: **SOUTHWAY INN RETRO-FIT RETIREMENT HOME**

JOB NO.: 5L-697-13

DOOR & WINDOW SCHEDULE