



R.W. TOMLINSON - NEW HEAD OFFICE

TAL-CO Building Innovations
1341-2 Coker Street
Greely, Ontario K4P 1A1
Tel: 613-821-3959
Fax: 613-821-2938

Issue date: 14-Mar-17
Revision date: N/A
Revision #: N/A

CLARIFICATION #1 – Lot 3A

The following modifications and clarifications are to be accounted for on this project. As well, when entering into the Form of Agreement to do the work, they shall become a part thereof.

Instruction/Clarifications:

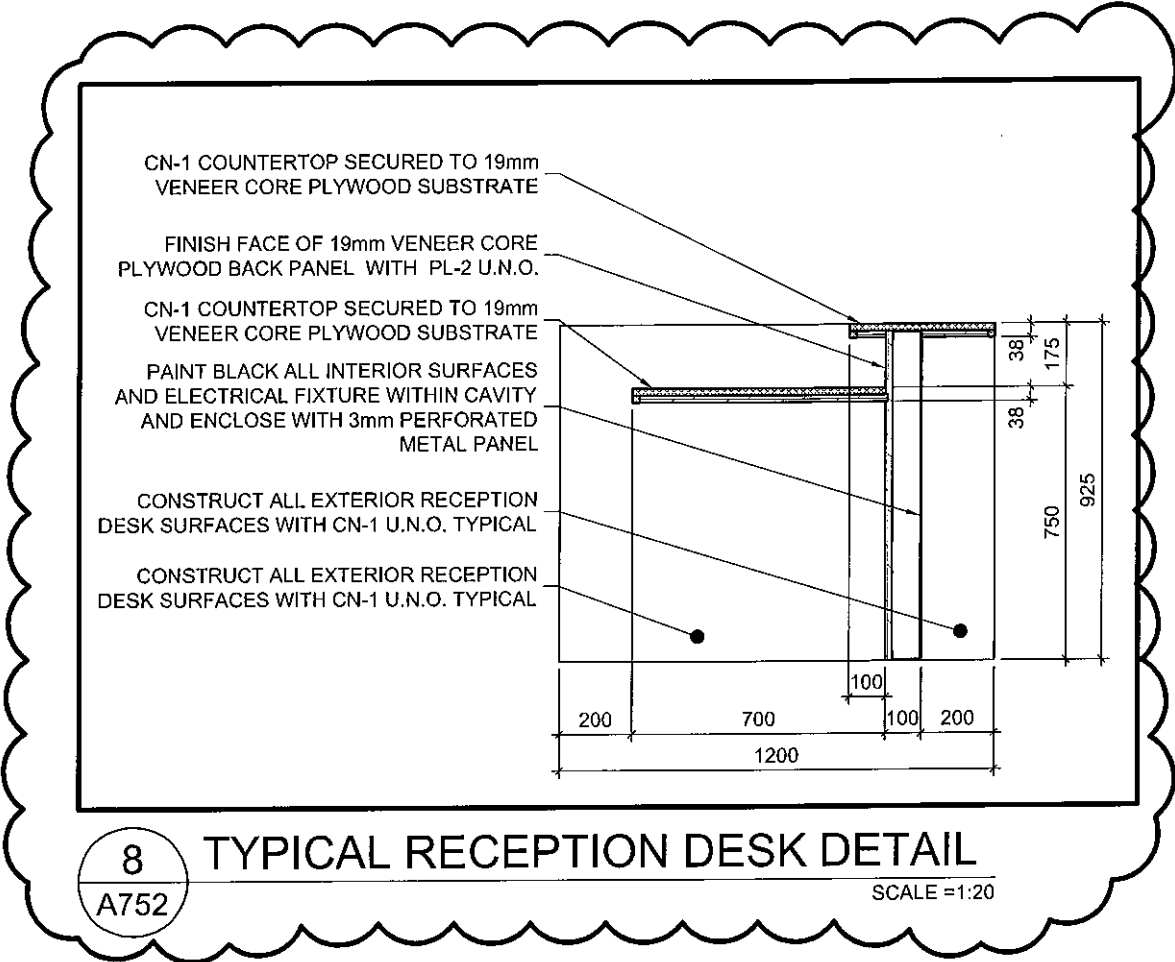
Please be advised that Clarification #1 Lot 3A has been issued for the above-mentioned project.

- See 5 attached ASKs (114-118) for Reception Desk Design.
- See below for cabinet pulls and use recessed hardware selections from Richelieu or Equivalent with the same finish as the pulls for all other cabinet hardware.
Cabinet Pulls: Richelieu; Contemporary Metal Pull 5632; BP5632596174; 96mm center to center; Matte Chrome.
- Tender Closing Date for Lot 3A Millwork has been moved ahead from Wednesday March 15, 2017 at 3:00pm to **Monday March 20, 2017 at 3:00pm.**

Reminder: It is your responsibility to consult ALL documents, drawings, sketches, Clarifications, Addenda, and Supplemental Instructions.

For questions or further information, please contact the office by e-mail at info@tal-co.com.

End of Clarification No. 1 – Lot 3A



THE ANNEX / 466 CECIL ST. OTTAWA ON K1R 6S1
613.567.7888 PHONE / 613.567.7528 FAX
csarchitect.com



PROJECT:
TOMLINSON NEW BUILDING

DRAWING TITLE:
REFERENCE NEW DET. AS INDICATED

DATE: 03/13/2017

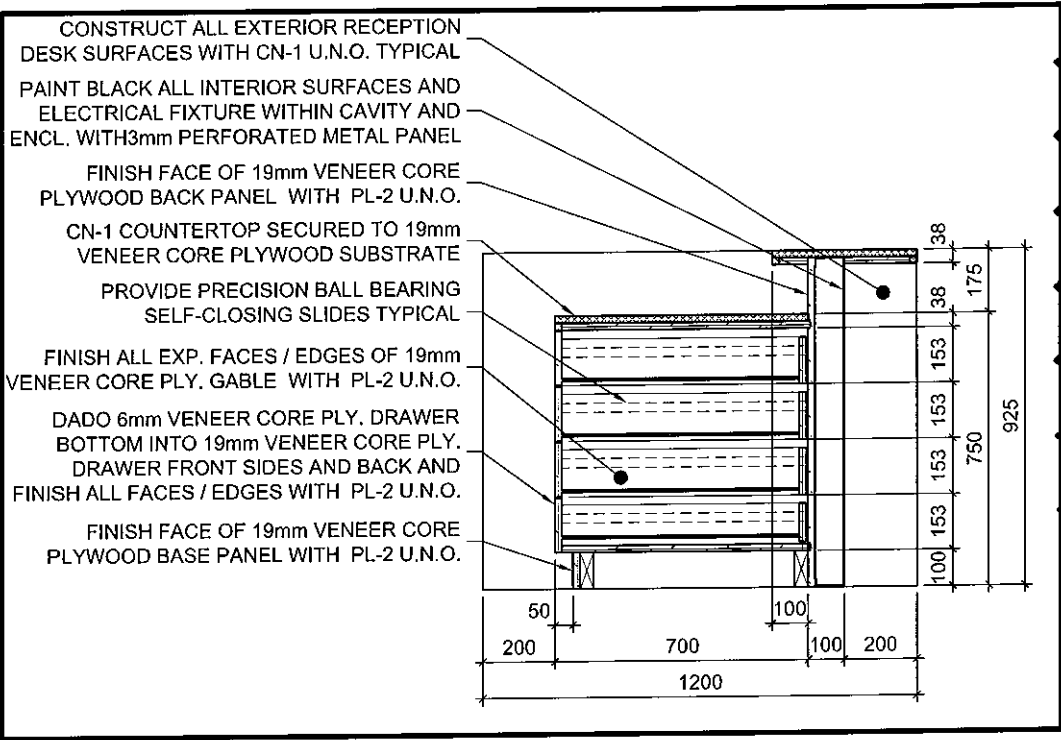
SCALE: AS INDICATED

DRAWN BY: JK

JOB No: 574-15

DRAWING No:

ASK-114



CONSTRUCT ALL EXTERIOR RECEPTION
DESK SURFACES WITH CN-1 U.N.O. TYPICAL
PAINT BLACK ALL INTERIOR SURFACES AND
ELECTRICAL FIXTURE WITHIN CAVITY AND
ENCL. WITH 3mm PERFORATED METAL PANEL
FINISH FACE OF 19mm VENEER CORE
PLYWOOD BACK PANEL WITH PL-2 U.N.O.
CN-1 COUNTERTOP SECURED TO 19mm
VENEER CORE PLYWOOD SUBSTRATE
PROVIDE PRECISION BALL BEARING
SELF-CLOSING SLIDES TYPICAL
FINISH ALL EXP. FACES / EDGES OF 19mm
VENEER CORE PLY. GABLE WITH PL-2 U.N.O.
DADO 6mm VENEER CORE PLY. DRAWER
BOTTOM INTO 19mm VENEER CORE PLY.
DRAWER FRONT SIDES AND BACK AND
FINISH ALL FACES / EDGES WITH PL-2 U.N.O.
FINISH FACE OF 19mm VENEER CORE
PLYWOOD BASE PANEL WITH PL-2 U.N.O.

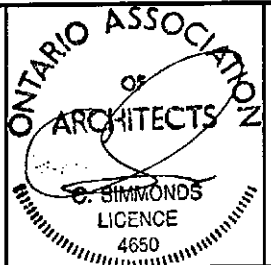
9
A752

RECEPTION DESK DRAWER DETAIL

SCALE = 1:20

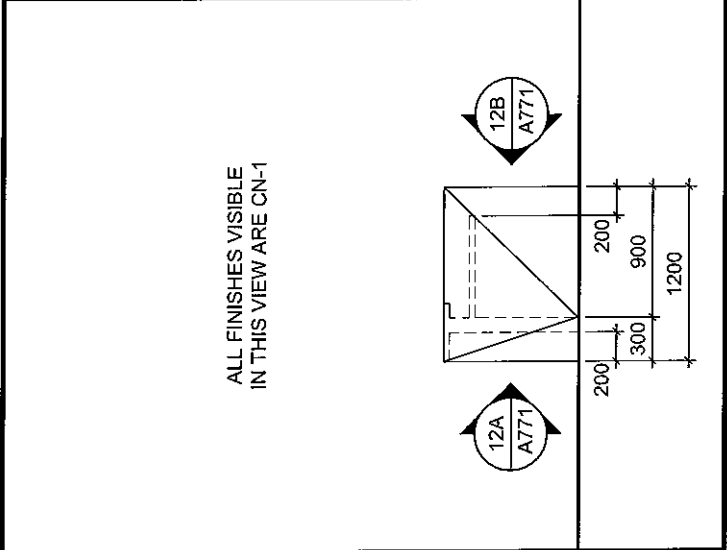


THE ANNEX/4600 LESLIE ST. OTTAWA ON K1R 5E3
413.567.7888 PHONE / 413.567.7528 FAX
csarchitect.com

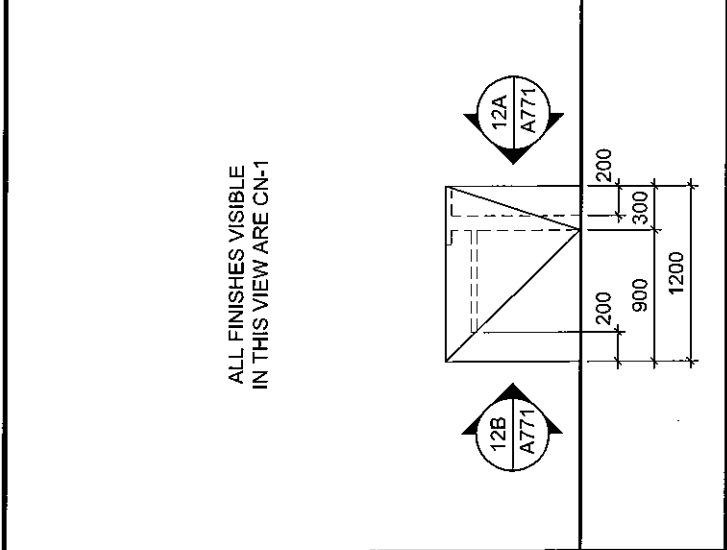


PROJECT:
TOMLINSON NEW BUILDING
DRAWING TITLE:
REFERENCE NEW DET. AS INDICATED

DATE: 03/13/2017
SCALE: AS INDICATED
DRAWN BY: JK
JOB No: 574-15
DRAWING No: ASK-115



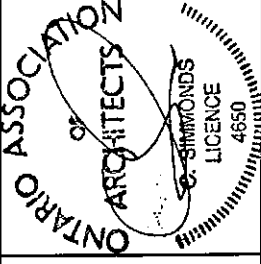
1 REC. DESK E. EL.
SCALE = 1:50
A771



29 REC. DESK W. EL.
SCALE = 1:50
A771



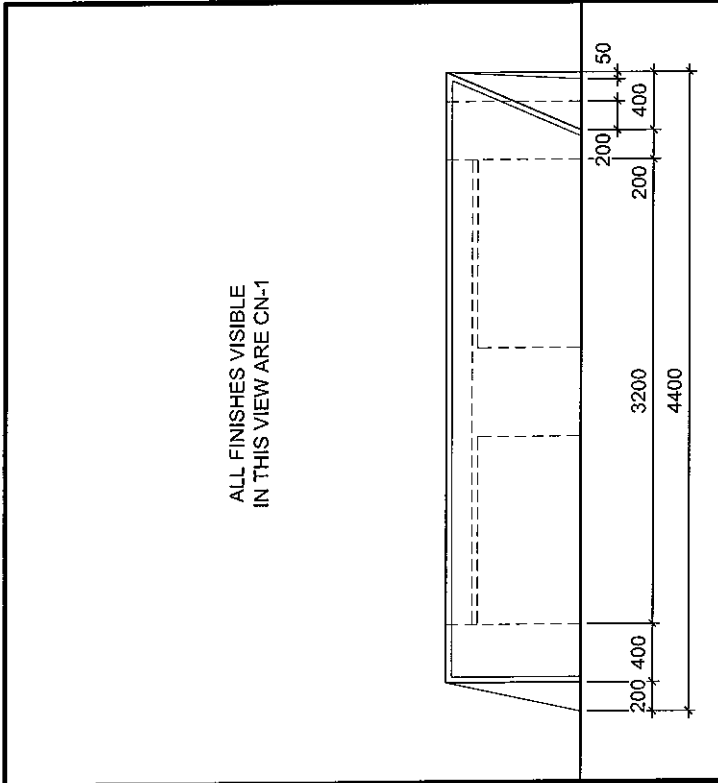
CHRISTOPHER
SIMMONDS
ARCHITECT
4850
LICCENCE
OF
ARCHITECTS
ONTARIO ASSOCIATION



PROJECT:
TOMLINSON NEW BUILDING

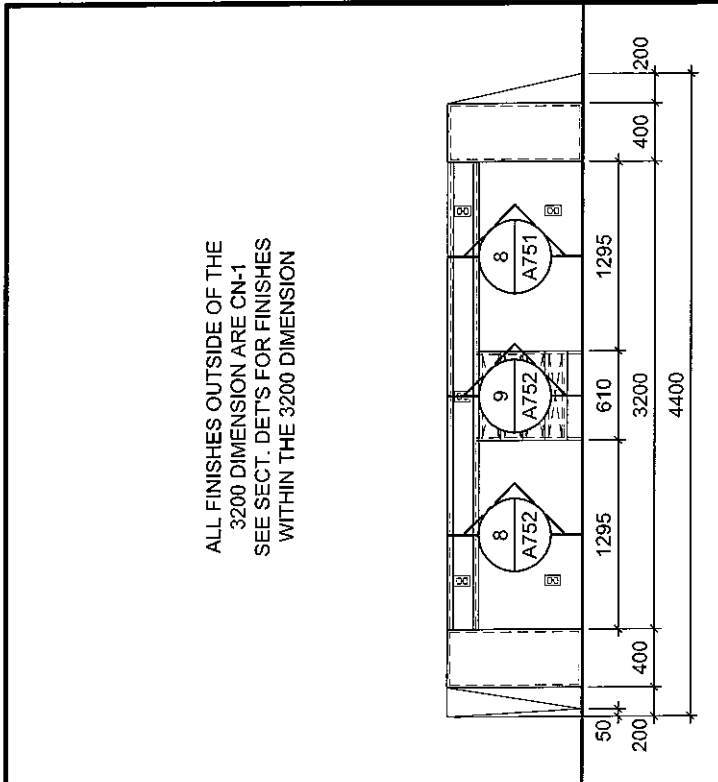
DRAWING TITLE:
REFERENCE NEW DET'S AS INDICATED

DATE: 03/14/2017
SCALE: AS INDICATED
DRAWN BY: JK
JOB No: 574-15
DRAWING No: ASK-116



ALL FINISHES VISIBLE
IN THIS VIEW ARE CN-1

12A RECEPTION DESK SOUTH EL.
A771 SCALE = 1:50



ALL FINISHES OUTSIDE OF THE
3200 DIMENSION ARE CN-1
SEE SECT. DET'S FOR FINISHES
WITHIN THE 3200 DIMENSION

12B RECEPTION DESK NORTH EL.
A771 SCALE = 1:50

Christopher Simmonds Architect

THE ANNSLEY / MCCLES ST. OTTAWA ON N1A 1N3
613.567.7886 PHONE / 613.567.7128 FAX
csa@simmonds.com

ONTARIO ASSOCIATION OF ARCHITECTS / ARCHITECTS / LICENCE 4650

PROJECT: TOMLINSON NEW BUILDING
DRAWING TITLE: REFERENCE NEW DET'S AS INDICATED

DATE: 03/14/2017
SCALE: AS INDICATED
DRAWN BY: JK
JOB No: 574-15
DRAWING No: **ASK-117**

