



R.W. TOMLINSON - NEW HEAD OFFICE

TAL-CO Building Innovations
1341-2 Coker Street
Greely, Ontario K4P 1A1
Tel: 613-821-3959
Fax: 613-821-2938

Issue date: 13-Mar-17
Revision date: N/A
Revision #: N/A

CLARIFICATION #1 – Lot 3D

The following modifications and clarifications are to be accounted for on this project. As well, when entering into the Form of Agreement to do the work, they shall become a part thereof.

Instruction/Clarifications:

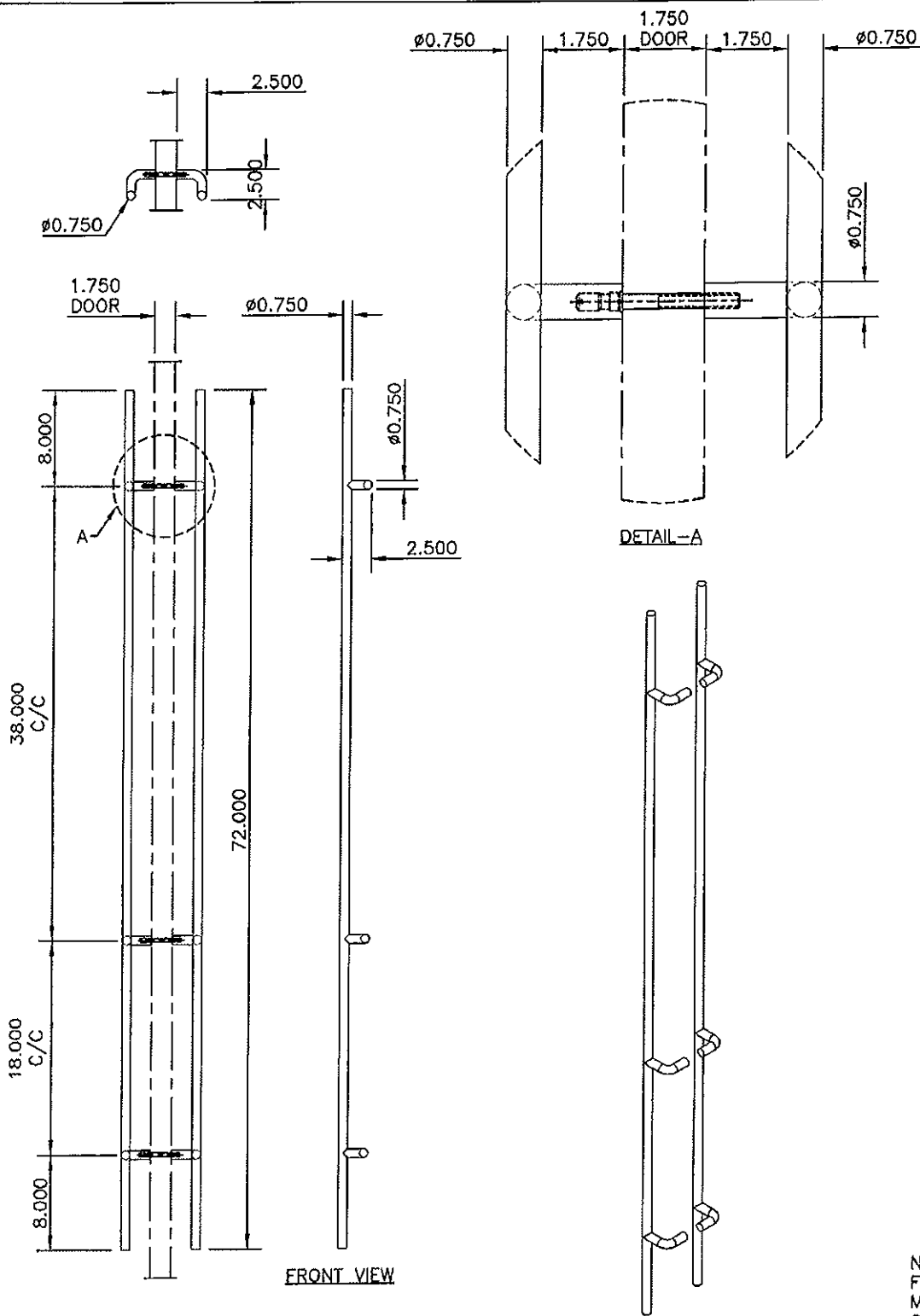
Please be advised that clarification #1 Lot 3D has been issued for the above-mentioned project:

- Door Pull GSH113318 pricing can be obtained from Gallery Specialty Hardware for the applicable quantities and configurations. Refer to the attachment for cut sheet.

Reminder: It is your responsibility to consult ALL documents, drawings, sketches, Clarifications, Addenda, and Supplemental Instructions.

For questions or further information, please contact the office by e-mail at info@tal-co.com.

End of Clarification No. 1 – Lot 3D



NOTES:
 FINISH: C32D
 MAT: ST/STEEL
 QTY:

CUSTOM PULL SET
 3/4" DIA. X 72" O.A, C32D
 LH/RHR, #5 MTG.

GALLERY
 SPECIALTY HARDWARE

DRAWN BY: JOJO DATE: 09/21/10
 SCALE: DWG. NO: ALL10061

FILE: Z:/STRE/GALLERY/ALLIMAR/ALL10061

PO# GALL. PO-LN#