



TAL-CO SUPPLEMENTAL INSTRUCTION #41			
Project Name:	RW TOMLINSON - NEW HEAD OFFICE		
Project Location:	100 CitiGate Drive, Ottawa, Ontario		
ARCH. SI #:	ASK- 114 to 118 inclusive	Issued By:	Chris Simpson
STRUC. SI #:	N/A	Date Issued:	March 27, 2017
MECH. SI #:	N/A	Revision #:	N/A
ELEC. SI #:	N/A	Revision Date:	N/A

Supplemental Instructions are issued by the Construction Manager to record a clarification or revision to the previously issued Contact Documentation as reflected by the attached information prepared by the identified Professionals.
The Construction Manager shall review the Supplemental Instruction and the attached information and issue to the affected Trade Contractors identifying the following course of action by the Trade Contractor.

Notify TAL-CO within 5 days of receipt, if the attached documents will require a change to Contract Price or Schedule.

Title: Detailing of reception desk millwork.

Reference:

Architectural - Construction Update 02-Feb-17

Attachments:

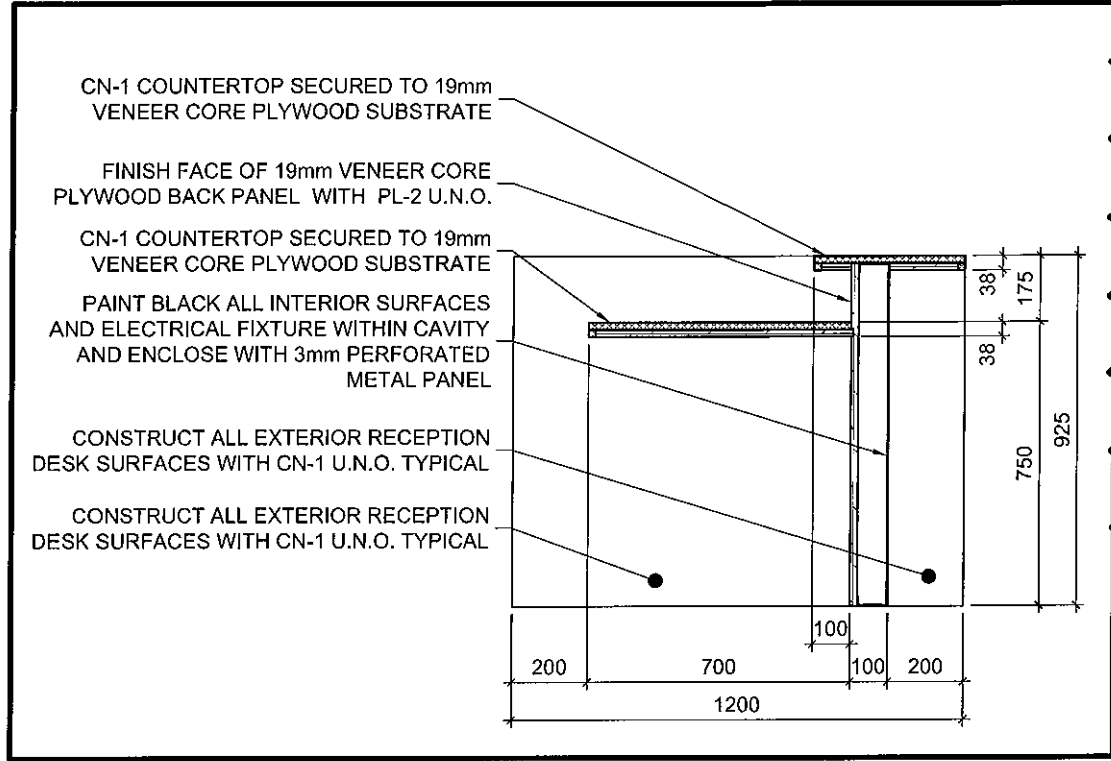
- ASK - 114
- ASK - 115
- ASK - 116
- ASK - 117
- ASK - 118

Description of the Work:

Millwork for reception desk to be detailed as per the attached ASK's, other trades to co-ordinate as required.

Reason:

Issued to clarify dimensions and construction details/ finishes for main reception desk.



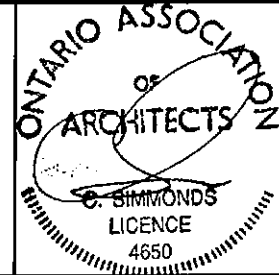
8
A752

TYPICAL RECEPTION DESK DETAIL

SCALE = 1:20



THE ANNEX/HECLES ST. OTTAWA ON K1R 6S3
413.567.7485 PHONE / 413.567.7518 FAX
csarchitect.com



PROJECT:
TOMLINSON NEW BUILDING

DRAWING TITLE:
REFERENCE NEW DET. AS INDICATED

DATE: 03/13/2017
SCALE: AS INDICATED
DRAWN BY: JK
JOB No: 574-15
DRAWING No:
ASK-114

CONSTRUCT ALL EXTERIOR RECEPTION
DESK SURFACES WITH CN-1 U.N.O. TYPICAL
PAINT BLACK ALL INTERIOR SURFACES AND
ELECTRICAL FIXTURE WITHIN CAVITY AND
ENCL. WITH 3mm PERFORATED METAL PANEL

FINISH FACE OF 19mm VENEER CORE
PLYWOOD BACK PANEL WITH PL-2 U.N.O.

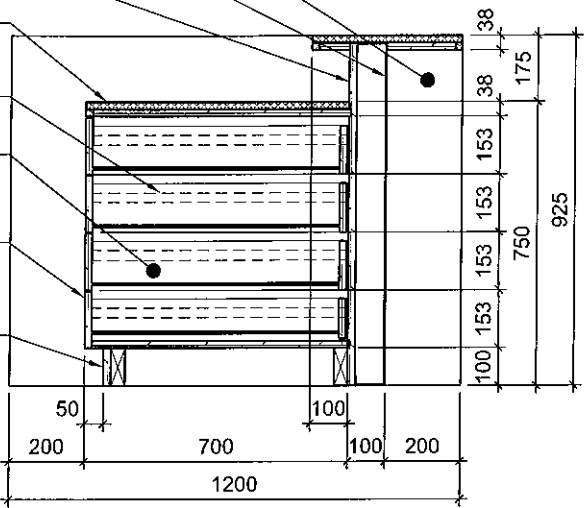
CN-1 COUNTERTOP SECURED TO 19mm
VENEER CORE PLYWOOD SUBSTRATE

PROVIDE PRECISION BALL BEARING
SELF-CLOSING SLIDES TYPICAL

FINISH ALL EXP. FACES / EDGES OF 19mm
VENEER CORE PLY. GABLE WITH PL-2 U.N.O.

DADO 6mm VENEER CORE PLY. DRAWER
BOTTOM INTO 19mm VENEER CORE PLY.
DRAWER FRONT SIDES AND BACK AND
FINISH ALL FACES / EDGES WITH PL-2 U.N.O.

FINISH FACE OF 19mm VENEER CORE
PLYWOOD BASE PANEL WITH PL-2 U.N.O.



9
A752

RECEPTION DESK DRAWER DETAIL

SCALE = 1:20



THE ANNEX / 480 CECIL ST. OTTAWA ON K1R 4S5
613.547.7888 PHONE / 613.547.7528 FAX
csarchitect.com

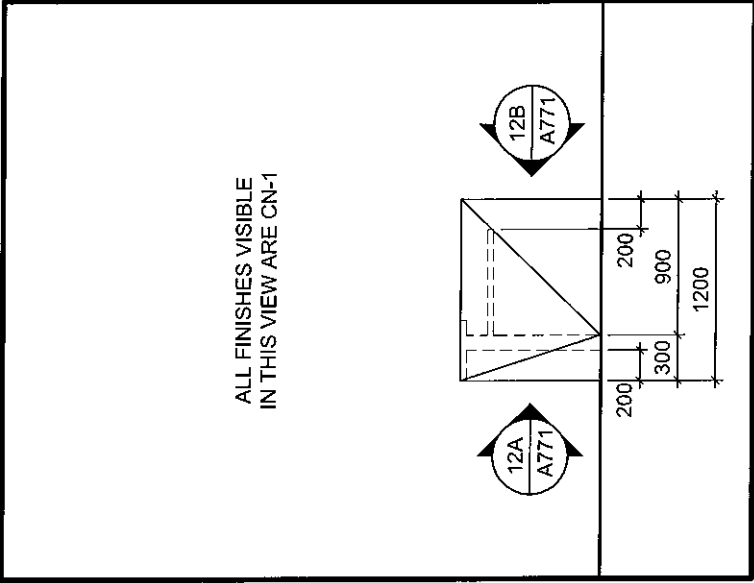


PROJECT:
TOMLINSON NEW BUILDING

DRAWING TITLE:
REFERENCE NEW DET. AS INDICATED

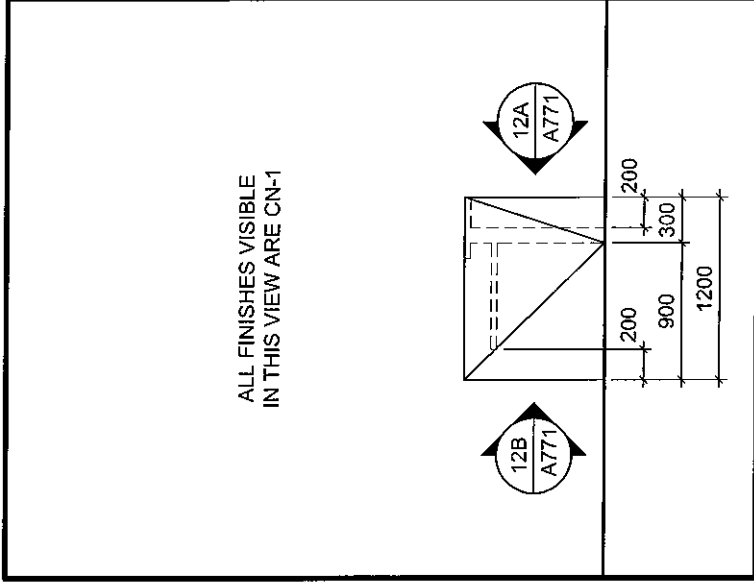
DATE: 03/13/2017
SCALE: AS INDICATED
DRAWN BY: JK
JOB No: 574-15
DRAWING No:

ASK-115



ALL FINISHES VISIBLE
IN THIS VIEW ARE CN-1

1 REC. DESK E. EL.
A771 SCALE = 1:50

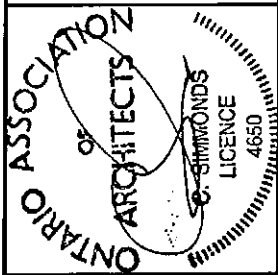


ALL FINISHES VISIBLE
IN THIS VIEW ARE CN-1

29 REC. DESK W. EL.
A771 SCALE = 1:50

Christopher Simmonds Architect

THE ANNEX / 85 CECIL ST. OTTAWA ON K1R 4S1
613.567.7888 PHONE / 613.567.7528 FAX
csa@iact.com

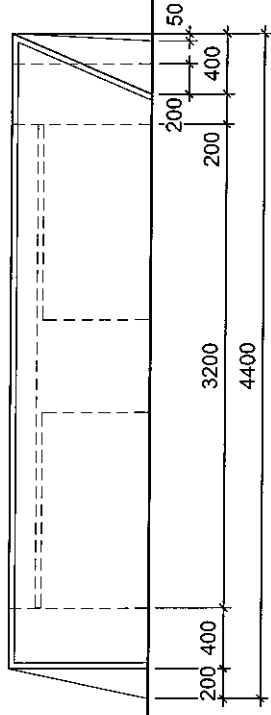


PROJECT:
TOMLINSON NEW BUILDING

DRAWING TITLE:
REFERENCE NEW DET'S AS INDICATED

DATE:	03/14/2017
SCALE:	AS INDICATED
DRAWN BY:	JK
JOB No:	574-15
DRAWING No:	ASK-116

ALL FINISHES VISIBLE
IN THIS VIEW ARE CN-1

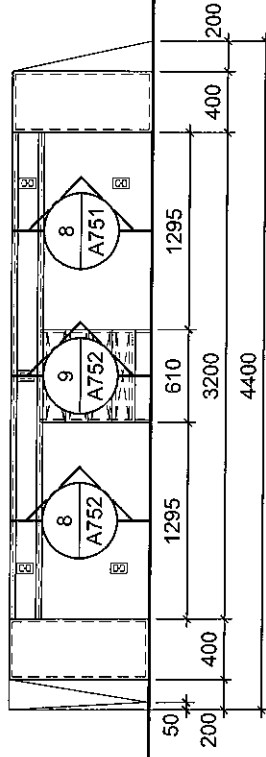


12A RECEPTION DESK SOUTH EL.

SCALE = 1:50

A771

ALL FINISHES OUTSIDE OF THE
3200 DIMENSION ARE CN-1
SEE SECT. DET'S FOR FINISHES
WITHIN THE 3200 DIMENSION



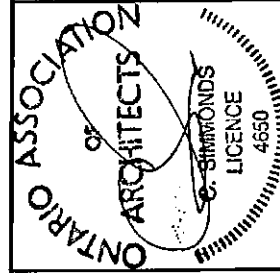
12B RECEPTION DESK NORTH EL.

SCALE = 1:50

A771



THE ANNEX ARTICLES ST. OTTAWA ON N1R 4N1
613.567.7288 PHONE / 613.567.7528 FAX
csmarchitect.com



PROJECT:

TOMLINSON NEW BUILDING

DRAWING TITLE:

REFERENCE NEW DET'S AS INDICATED

DATE: 03/14/2017

SCALE: AS INDICATED

DRAWN BY: JK

JOB No: 574-15

DRAWING No:

ASK-117

