



TAL-CO SUPPLEMENTAL INSTRUCTION #36 R-2			
Project Name:	RW TOMLINSON - NEW HEAD OFFICE		
Project Location:	100 CitiGate Drive, Ottawa, Ontario		
ARCH. SI #:	N/A	Issued By:	Chris Simpson
STRUC. SI #:	N/A	Date Issued:	March 15, 2017
MECH. SI #:	SKM-42-R1, 43-R1, 44-R1,	Revision #:	2
ELEC. SI #:	45-R1	Revision Date:	May 9, 2017
	N/A		

Supplemental Instructions are issued by the Construction Manager to record a clarification or revision to the previously issued Contact Documentation as reflected by the attached information prepared by the identified Professionals.

The Construction Manager shall review the Supplemental Instruction and the attached information and issue to the affected Trade Contractors identifying the following course of action by the Trade Contractor.

Notify TAL-CO within 5 days of receipt, if the attached documents will require a change to Contract Price or Schedule.

Title: Floors 2, 3 & 4 Typical Electrical/Mechanical/Sprinkler Elevation Drawings for Coordination

Reference:

- Electrical Drawings - Issued for Construction 22-Nov-16
- Current Mechanical Drawings
- Fire Protection - Issued for Construction 22-Nov-16
- Architectural - Construction Update 27-April-17

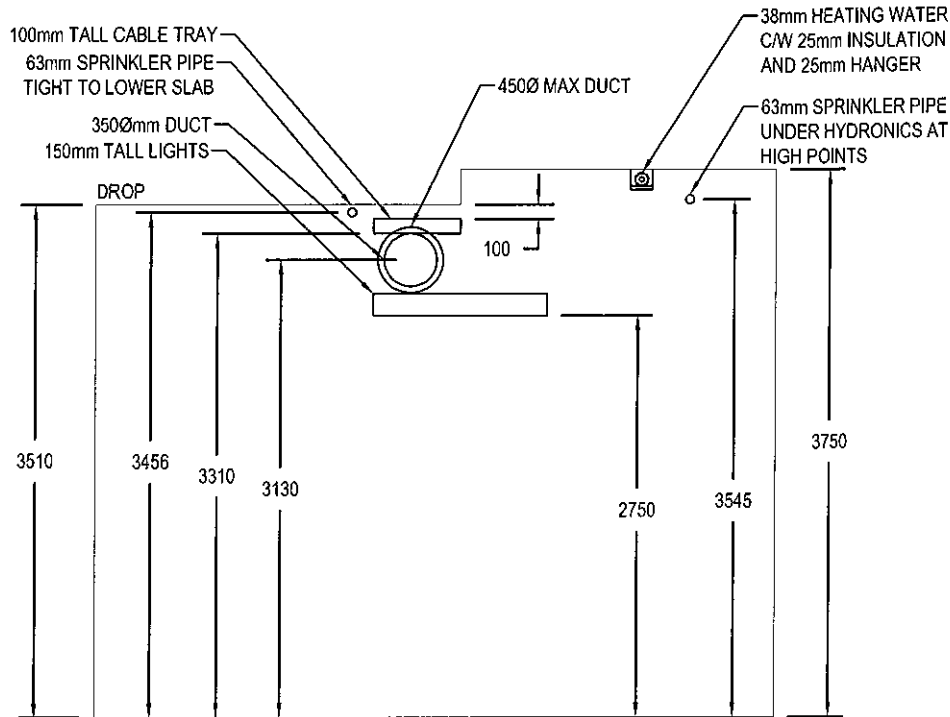
Attachments:

SKM-29 & SKM-30 Previously Issued have been replaced by SKM - 42, 43, 44, and 45, refer to attached

SKM - 42, 43, 44, 45 have been replaced by SKM - 42-R1, 43- R1, 44-R1, 45-R1 attached

Description of the Work:

Sketches show elevations as agreed to during the 28-Feb-17 meeting with CPE, Vipond & Optimum Mechanical & Tal-co. See SKM - 42-R1, 43-R1, 44-R1, and 45-R1 for revised dimensions.

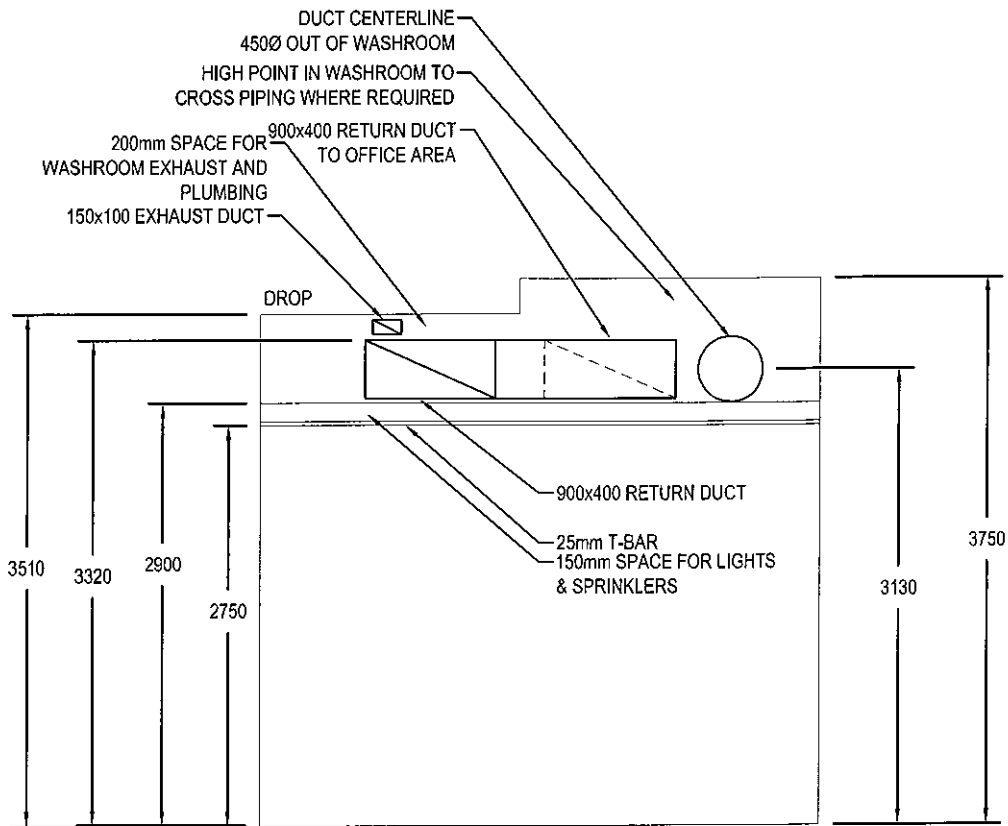


2
TYPICAL SECTION - 2nd & 3rd FLOORS
M123
1:50

DRAWING NOTES

1. ALL SPRINKLER PIPING TO BE RUN TIGHT TO THE DROP (LOWER CEILING SLAB).
ACCOUNT FOR 75mm.
2. ALL PLUMBING & HYDRONICS TO BE RUN BELOW SPRINKLER PIPING AT LOWER CEILING SLAB.
ACCOUNT FOR 140mm.
3. ALL PLUMBING & HYDRONICS TO BE RUN TIGHT TO CEILING SLAB AT THE HIGH POINTS.
ACCOUNT FOR 140mm.
4. ALL SPRINKLER PIPING TO BE RUN BELOW PLUMBING AND HYDRONIC PIPING AT THE CEILING SLAB
HIGH POINTS.
ACCOUNT FOR 75mm.
5. LARGEST DUCT SIZE CROSSING CABLE TRAY IS 350Ø.


project <p style="text-align: center;">TOMLINSON NEW BUILDING</p> <p style="text-align: center;">CITIGATE, OTTAWA</p>	Designed By C.L.M. Date 2017/05/05	Optimum Mechanical Solutions Inc. 84 Bentley Avenue Ottawa, Ontario, K2E 6T9 <small>Tel: 613-228-9500 Fax: 613-228-9218 www.optimummech.com</small>
	Drawn By C.L.M. Date 2017/05/05	
title <p style="text-align: center;">FLOORS 2 & 3 INSTALLATION SECTION COORDINATION</p>	Reviewed By T.N. Date 2017/05/05	Project no. <p style="text-align: center;">15-1570</p>
	Scale <p style="text-align: center;">1 : 100</p>	Sketch no. <p style="text-align: center;">SKM-42-R1</p>

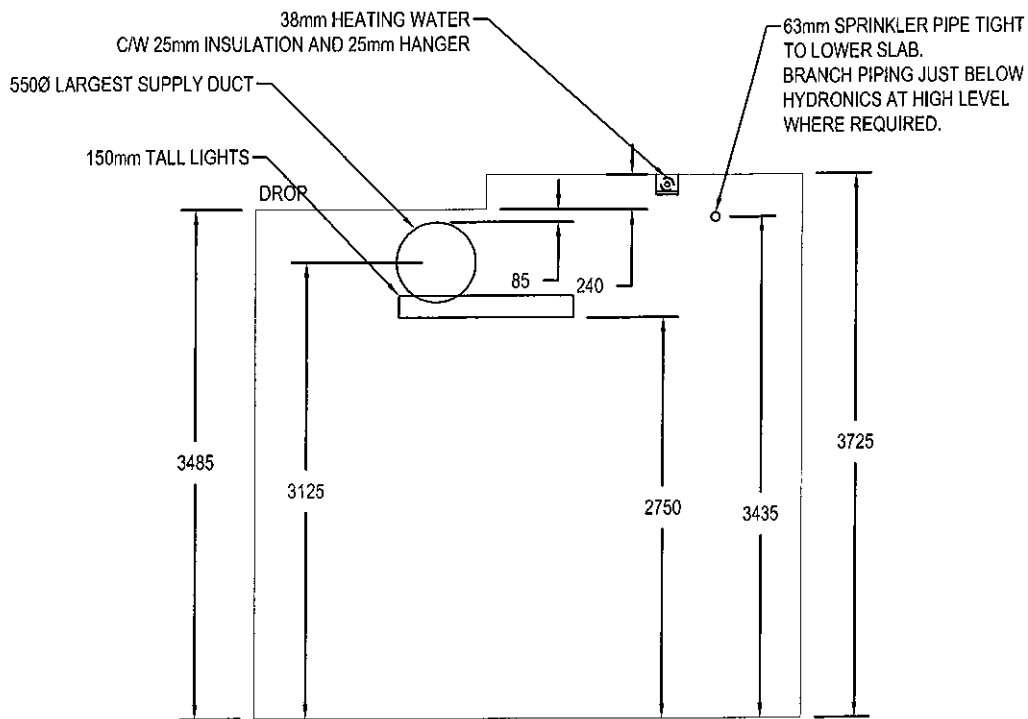


3
M123

SECTION - 2nd & 3rd FLOOR SOUTH WASHROOM CORE

1:50

project TOMLINSON NEW BUILDING CITIGATE, OTTAWA	Designed By C.L.M. Date 2017/05/05	 Optimum Mechanical Solutions Inc. 84 Bentley Avenue Ottawa, Ontario, K2E 6T9 Tel: 613-228-9500 Fax: 613-228-9218 www.optimum-mech.com
	Drawn By C.L.M. Date 2017/05/05	
title FLOORS 2 & 3 CORE INSTALLATION SECTION COORDINATION	Reviewed By T.N. Date 2017/05/05	Project no. 15-1570
	Scale 1:100	Sketch no. SKM-43-R1

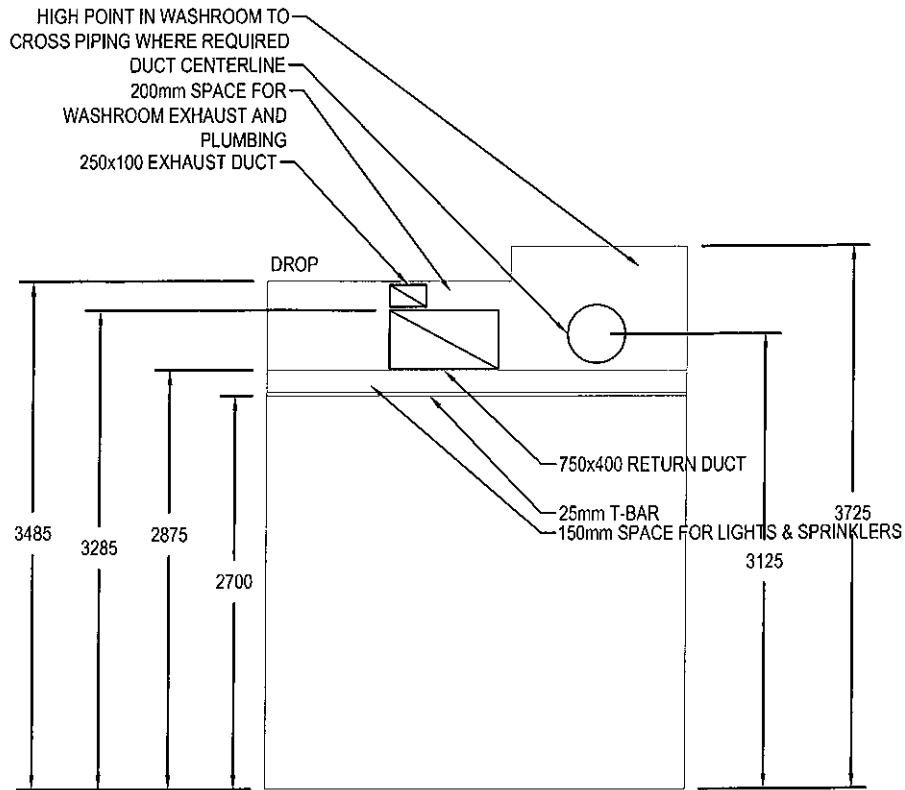


3
M124
TYPICAL SECTION - 4th FLOOR
1:50

DRAWING NOTES

1. ALL SPRINKLER PIPING TO BE RUN TIGHT TO THE DROP (LOWER CEILING SLAB).
ACCOUNT FOR 75mm.
2. ALL PLUMBING & HYDRONICS TO BE RUN BELOW SPRINKLER PIPING AT LOWER CEILING SLAB.
ACCOUNT FOR 140mm.
3. ALL PLUMBING & HYDRONICS TO BE RUN TIGHT TO CEILING SLAB AT THE HIGH POINTS.
ACCOUNT FOR 140mm.
4. ALL SPRINKLER PIPING TO BE RUN BELOW PLUMBING AND HYDRONIC PIPING AT THE CEILING SLAB
HIGH POINTS.
ACCOUNT FOR 75mm.

project <p style="text-align: center;">TOMLINSON NEW BUILDING</p> <p style="text-align: center;">CITIGATE, OTTAWA</p>	Designed By C.L.M. Date 2017/05/05	Optimum Mechanical Solutions Inc. 84 Bentley Avenue Ottawa, Ontario, K2E 6T9 <small>Tel: 613-228-8500 Fax: 613-228-9218 www.optimummech.com</small>
	Drawn By C.L.M. Date 2017/05/05	
title <p style="text-align: center;">4th FLOOR INSTALLATION SECTION COORDINATION</p>	Reviewed By T.N. Date 2017/05/05	Project no. <p style="text-align: center;">15-1570</p>
	Scale <p style="text-align: center;">1 : 100</p>	Sketch no. <p style="text-align: center;">SKM-44-R1</p>



4
M124
SECTION - 4th FLOOR SOUTH WASHROOM CORE
1:50

project TOMLINSON NEW BUILDING CITIGATE, OTTAWA	Designed By C.L.M. Date 2017/05/05	Optimum Mechanical Solutions Inc. 84 Bentley Avenue Ottawa, Ontario, K2E 6T9 <small>Tel: 613-228-9500 Fax: 613-228-9218 www.optimummech.com</small>
	Drawn By C.L.M. Date 2017/05/05	
title 4th FLOOR CORE INSTALLATION SECTION COORDINATION	Reviewed By T.N. Date 2017/05/05	Project no. <div style="text-align: center; font-weight: bold;">15-1570</div>
	Scale 1 : 100	Sketch no. <div style="text-align: center; font-weight: bold;">SKM-45-R1</div>



TAL-CO SUPPLEMENTAL INSTRUCTION #36 R-2			
Project Name:	RW TOMLINSON - NEW HEAD OFFICE		
Project Location:	100 CitiGate Drive, Ottawa, Ontario		
ARCH. SI #:	N/A	Issued By:	Chris Simpson
STRUC. SI #:	N/A	Date Issued:	March 15, 2017
MECH. SI #:	SKM-42-R1, 43-R1, 44-R1,	Revision #:	2
ELEC. SI #:	45-R1	Revision Date:	May 9, 2017

Supplemental Instructions are issued by the Construction Manager to record a clarification or revision to the previously issued Contact Documentation as reflected by the attached information prepared by the identified Professionals.

The Construction Manager shall review the Supplemental Instruction and the attached information and issue to the affected Trade Contractors identifying the following course of action by the Trade Contractor.

Notify TAL-CO within 5 days of receipt, if the attached documents will require a change to Contract Price or Schedule.

Title: Floors 2, 3 & 4 Typical Electrical/Mechanical/Sprinkler Elevation Drawings for Coordination

Reference:

- Electrical Drawings - Issued for Construction 22-Nov-16
- Current Mechanical Drawings
- Fire Protection - Issued for Construction 22-Nov-16
- Architectural - Construction Update 27-April-17

Attachments:

SKM-29 & SKM-30 Previously Issued have been replaced by SKM - 42, 43, 44, and 45, refer to attached
 SKM - 42, 43, 44, 45 have been replaced by SKM - 42-R1, 43- R1, 44-R1, 45-R1 attached

Description of the Work:

Sketches show elevations as agreed to during the 28-Feb-17 meeting with CPE, Vipond & Optimum Mechanical & Tal-Co. See SKM - 42-R1, 43-R1, 44-R1, and 45-R1 for revised dimensions.

Reason:

To coordinate Electrical, Mechanical & Fire Sprinkler installation in ceilings.
 Note that these are typical elevations and may need to be adjusted as required to suit more congested locations.
 Elevations for 4th floor typical section have been revised, minor revisions to other areas.