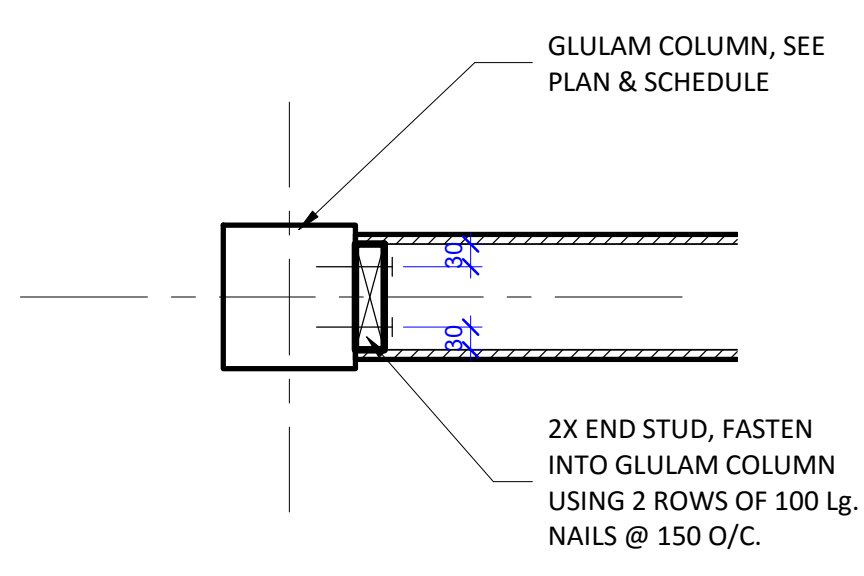


HD7B
 SIMPSON STRONG TIE C/W 7/8"
 HEADED ANCHOR BOLT(400 EMBED)
 + 3-3/4" STUB BOLTS W/ WASHERS,
 LENGTH TO SUIT.

CONCRETE STRENGTHS:
 FOUNDATION WALLS - 25 MPa TYPE F2
 FOOTINGS - 25 MPa TYPE N
 SLAB ON GRADE - 25 MPa TYPE N
 EXTERIOR CURBS & WALKWAYS - 32 MPa W/5-8% AIR TYPE C2
 ALL OTHER - 25 MPa TYPE N
 FROST WALL & SLAB - 35 MPa W/5-8% AIR TYPE C1



A
 PLAN DETAIL
 1 : 10

7	ISSUE FOR TENDER	OCT 11, 2017
6	ISSUE FOR TENDER REVIEW	OCT 06, 2017
5	ISSUE FOR TENDER	AUG 24, 2017
4	ISSUE FOR BUILDING PERMIT	AUG 18, 2017
3	ISSUE FOR COORDINATION	AUG 11, 2018
2	ISSUE FOR PRICING	AUG 09, 2017
1	ISSUE FOR CLIENT REVIEW	JULY 07, 2017

No.	REVISION	DATE

1. THE CONTRACTOR IS RESPONSIBLE FOR CHECKING AND VERIFYING ALL DIMENSIONS. ANY DISCREPANCY SHALL BE REPORTED TO THE ENGINEER.
2. THIS DRAWING IS TO BE READ IN CONJUNCTION WITH ALL MATERIAL SPECIFICATIONS AND SCHEDULES.
3. ADDITIONAL INFORMATION MAY BE ISSUED FOR CLARIFICATION TO ASSIST PROPER EXECUTION OF WORK. SUCH DRAWINGS WILL HAVE THE SAME MEANING AND INTENT AS IF THEY WERE INCLUDED WITH THE DRAWINGS IN THE CONTRACT DOCUMENTS.
4. DO NOT SCALE DRAWINGS.

PROJECT
1632 McNAB / BRAESIDE TOWN HALL

ARCHITECT
+VG ARCHITECTS

DRAWING
GROUND FLOOR / FOUNDATION

CUNLIFE
 CUNLIFE & ASSOCIATES
 CONSULTING STRUCTURAL ENGINEERS
 102-1737 WOODWARD DR. OTTAWA ON K2C 0P9
 TEL (613) 728-7242 FAX (613) 728-1461
 Email: cunlife@cunlife.ca

ENGINEERS SEAL
 SCALE
As indicated

DRAWN
PM

REVIEWED
JC

PROJECT No.
17-052

SHEET No.
S100

REVISION No.
7

