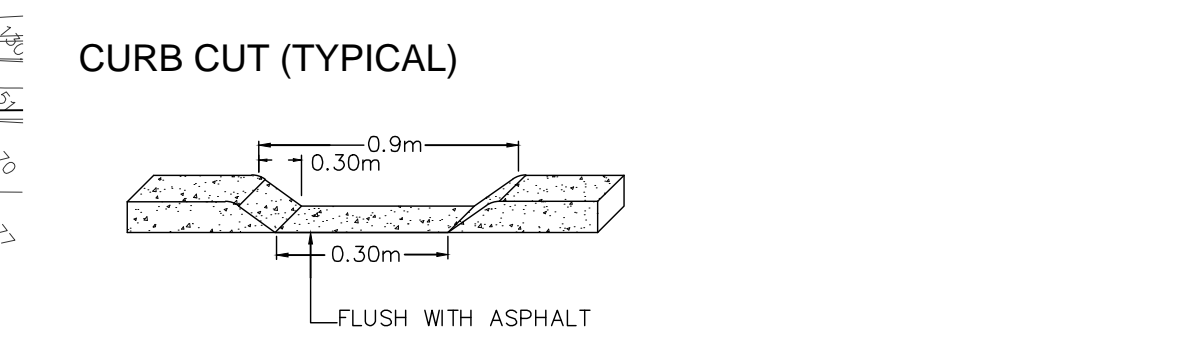
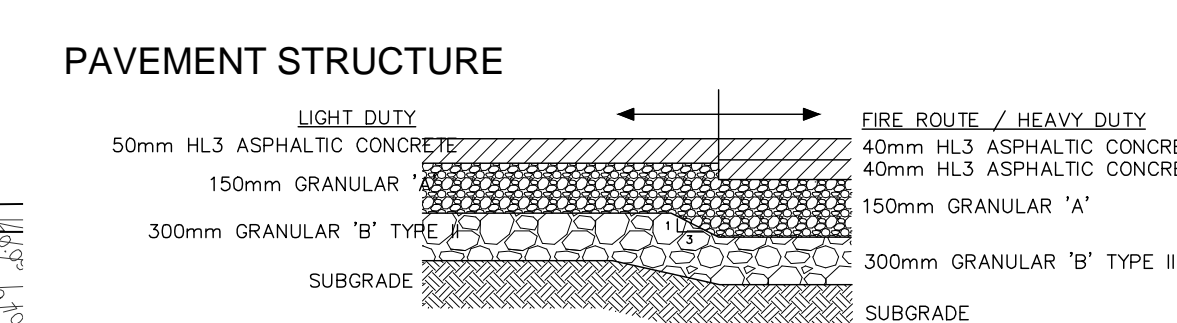


LEGEND

- CONSTRUCTION LIMIT
- - - PROPOSED SWALE
- x EXISTING SPOT ELEVATION
- x PROPOSED SPOT ELEVATION
- x PROPOSED TOP OF CURB ELEVATION
- x PROPOSED BOTTOM OF CURB ELEVATION
- x DEPRESSED CURB ELEVATION
- 1.0% EXISTING GRADE AND DIRECTION
- 1.0% PROPOSED GRADE AND DIRECTION
- 3:1 SLOPE PROPOSED 3:1 TERRACING
- 100.00 PROPOSED/EXISTING SPOT ELEVATION

- GENERAL NOTES**
1. ALL WORKS AND MATERIALS SHALL CONFORM TO THE LATEST REVISION OF THE STANDARDS AND SPECIFICATIONS FOR THE CITY OF OTTAWA, ONTARIO PROVINCIAL STANDARD DRAWINGS (OPSD) AND SPECIFICATIONS (OPSS), WHERE APPLICABLE. LOCAL UTILITY STANDARDS AND MINISTRY OF TRANSPORTATION STANDARDS WILL APPLY WHERE REQUIRED.
 2. THE CONTRACTOR SHALL CONSIDER THE LOCATION OF ALL EXISTING UTILITIES WITHIN THE SITE AND ADJACENT WORK AREAS. THE CONTRACTOR SHALL BE RESPONSIBLE FOR PROTECTING ALL EXISTING UTILITIES TO THE SATISFACTION OF THE AUTHORITY HAVING JURISDICTION. THE CONTRACTOR SHALL BE RESPONSIBLE FOR THE REPAIR OR REPLACEMENT OF ANY SERVICES OR UTILITIES DISTURBED DURING CONSTRUCTION, TO THE SATISFACTION OF THE AUTHORITY HAVING JURISDICTION.
 3. ALL DIMENSIONS SHALL BE CHECKED AND VERIFIED IN THE FIELD BY THE CONTRACTOR PRIOR TO THE START OF CONSTRUCTION. ANY DISCREPANCIES SHALL BE REPORTED IMMEDIATELY TO THE ENGINEER. LOST TIME DUE TO FAILURE OF THE CONTRACTOR TO CONFIRM UTILITY LOCATIONS AND NOTIFY ENGINEER OF POSSIBLE CONFLICTS PRIOR TO CONSTRUCTION WILL BE AT THE CONTRACTOR'S EXPENSE.
 4. ANY AREAS BEYOND THE LIMIT OF THE SITE DISTURBED DURING CONSTRUCTION SHALL BE RESTORED TO ORIGINAL CONDITION OR BETTER TO THE SATISFACTION OF THE AUTHORITY HAVING JURISDICTION AT THE CONTRACTOR'S EXPENSE.
 5. RELOCATION OF EXISTING SERVICES AND/OR UTILITIES SHALL BE AS SHOWN ON THE DRAWINGS OR DIRECTED BY THE ENGINEER AT THE EXPENSE OF THE DEVELOPER.
 6. ALL WORK SHALL BE COMPLETED IN ACCORDANCE WITH THE 'OCCUPATIONAL HEALTH AND SAFETY ACT AND REGULATIONS FOR CONSTRUCTION PROJECTS.' THE GENERAL CONTRACTOR SHALL BE DEEMED TO BE THE 'CONSTRUCTOR' AS DEFINED IN THE ACT.
 7. ALL CONSTRUCTION SIGNAGE MUST CONFORM TO THE MINISTRY OF TRANSPORTATION OF ONTARIO MANUAL OF UNIFORM TRAFFIC CONTROL DEVICES PER LATEST AMENDMENT.
 8. THE CONTRACTOR IS ADVISED THAT WORKS BY OTHERS MAY BE ONGOING DURING THE PERIOD OF THIS CONTRACT. THE CONTRACTOR SHALL COORDINATE CONSTRUCTION ACTIVITIES TO PREVENT CONFLICTS.
 9. ALL DIMENSIONS ARE IN METRES UNLESS SPECIFIED OTHERWISE.
 10. THERE WILL BE NO QUESTIONING OF MATERIALS UNLESS PROOF WRITTEN APPROVAL IS RECEIVED FROM THE ENGINEER.
 11. ALL CONSTRUCTION SHALL BE CARRIED OUT IN ACCORDANCE WITH THE RECOMMENDATIONS MADE IN THE GEOTECHNICAL REPORT.
 12. FOR DETAILS RELATING TO STORMWATER MANAGEMENT AND ROOF DRAINAGE REFER TO THE SITE SERVING AND STORMWATER MANAGEMENT REPORT.
 13. ALL SLOPES CONSTRUCTED WITH GRADES LESS THAN 1.0% SHALL BE INSTALLED USING LASER ALIGNMENT AND CHECKED WITH LEVEL INSTRUMENT PRIOR TO BACKFILLING.
 14. THE CONTRACTOR IS RESPONSIBLE FOR OBTAINING ALL PERMITS REQUIRED AND TO BEAR THE COST OF THE SAME.
 15. THE CONTRACTOR WILL BE RESPONSIBLE FOR ADDITIONAL BEDDING OR ADDITIONAL STRENGTH PIPE IF THE MAXIMUM TRENCH WIDTH AS SPECIFIED BY OPSD IS EXCEEDED.
 16. ALL PIPE / CULVERT SECTIONS REFER TO HOSE DIMENSIONS.
 17. SHOULD DEEPLY BURIED ARCHAEOLOGICAL REMAINS BE FOUND ON THE PROPERTY DURING CONSTRUCTION ACTIVITIES, THE HERITAGE OPERATIONS UNIT OF THE ONTARIO MINISTRY OF CULTURE MUST BE NOTIFIED IMMEDIATELY.
 18. ALL NECESSARY CLEARING AND GRUBBING SHALL BE COMPLETED BY THE CONTRACTOR. REVIEW WITH CONTRACT ADMINISTRATOR AND THE CITY OF OTTAWA PRIOR TO ANY TREE CUTTING / REMOVAL.
 19. DRAWINGS SHALL BE READ IN CONJUNCTION WITH THE AS-CONSTRUCTED SITE SERVING AND GRADING DRAWINGS.
 20. THE CONTRACTOR SHALL PROVIDE THE PROJECT ENGINEER ONE SET OF AS-CONSTRUCTED SITE SERVING AND GRADING DRAWINGS.
 21. BENCHMARKS: IT IS THE RESPONSIBILITY OF THE CONTRACTOR TO VERIFY THAT THE SITE BENCHMARK(S) HAS NOT BEEN ALTERED OR DISTURBED AND THAT ITS RELATIVE ELEVATION AND DESCRIPTION AGREES WITH THE INFORMATION SPECIFIED ON THIS PLAN.

- SITE GRADING NOTES**
1. PRIOR TO THE COMMENCEMENT OF THE SITE GRADING WORKS, ALL SILTATION CONTROL DEVICES SHALL BE INSTALLED AND OPERATIONAL PER EROSION CONTROL PLAN.
 2. ALL GRANULAR AND PAVEMENT FOR ROADS/PARKING AREAS SHALL BE CONSTRUCTED IN ACCORDANCE WITH GEOTECHNICAL ENGINEER'S RECOMMENDATIONS.
 3. ALL TOPSOIL AND ORGANIC MATERIAL SHALL BE STRIPPED WITHIN THE ROAD AND PARKING AREAS ALLOWANCE PRIOR TO THE COMMENCEMENT OF CONSTRUCTION.
 4. CONCRETE CURBS SHALL BE IN ACCORDANCE WITH CITY OF OTTAWA STD. SCL1. PROVISION SHALL BE MADE FOR CURB DEPRESSIONS AS INDICATED ON ANNOTATED SITE PLAN. CONCRETE SIDEWALKS SHALL BE IN ACCORDANCE WITH CITY OF OTTAWA STD. SCL4. ALL CURBS, CONCRETE ISLANDS, AND SIDEWALKS SHOWN ON THIS DRAWING ARE TO BE PRIOR TO THE SIDEWALKS PORTION OF THE CONTRACT.
 5. PAVEMENT REINFORCEMENT FOR SERVICE AND UTILITY CUTS SHALL BE IN ACCORDANCE WITH THE CITY OF OTTAWA STD. R10 AND OPSD 500.010, AND OPSD 310.
 6. GRANULAR 'A' SHALL BE PLACED TO A MINIMUM THICKNESS OF 300mm AROUND ALL STRUCTURES WITHIN THE PAVEMENT AREA.
 7. SUB-EXCAVATE SOFT AREAS AND FILL WITH GRANULAR 'B' COMPACTED IN MAXIMUM 300mm LIFTS.
 8. ALL WORK ON THE MUNICIPAL RIGHT OF WAY AND EASEMENTS TO BE INSPECTED BY THE MUNICIPALITY PRIOR TO BACKFILLING.
 9. CONTRACTOR TO OBTAIN A ROAD OCCUPANCY PERMIT 48 HOURS PRIOR TO COMMENCING ANY WORK UNDER THE MUNICIPAL ROAD ALLOWANCE, IF REQUIRED BY THE MUNICIPALITY.
 10. ALL PAVEMENT MARKING FEATURES AND SITE SIGNAGE SHALL BE PLACED PER ARCHITECTURAL SITE PLAN. LINE PAINTING AND DIRECTIONAL SYMBOLS SHALL BE APPLIED WITH A MINIMUM OF TWO COATS OF ORGANIC SOLVENT PAINT.
 11. REFER TO ARCHITECTURAL SITE PLAN FOR DIMENSIONS AND SITE DETAILS.
 12. STEP JOINTS ARE TO BE USED WHERE PROPOSED ASPHALT MEETS EXISTING ASPHALT. ALL JOINTS MUST BE SEALED.
 13. SIDEWALKS TO BE 150mm & BEVELED AT 2:1 OR 6mm WITH NO BEVEL REQUIRED BELOW THE FINISHED FLOOR SLAB ELEVATION AT ENTRANCES REQUIRED TO BE BARRIER-FREE, UNLESS OTHERWISE NOTED. ALL IN ACCORDANCE WITH OBC 3.5.1.3 & OTTAWA ACCESSIBILITY DESIGN STANDARDS.
 14. WHERE APPLICABLE THE CONTRACTOR IS TO SUBMIT SHOP DRAWINGS FOR RETAINING WALL (INCLUDE FAILINGS IF APPLICABLE) TO THE ENGINEER FOR APPROVAL PRIOR TO CONSTRUCTION. SHOP DRAWINGS MUST BE SITE SPECIFIC, SIGNED AND SEALED BY A LICENSED STRUCTURAL ENGINEER. THE CONTRACTOR WILL ALSO BE REQUIRED TO SUPPLY STRUCTURAL AND GEOTECHNICAL CERTIFICATION OF THE AS-CONSTRUCTED RETAINING WALL TO THE ENGINEER PRIOR TO FINAL ACCEPTANCE.



TOPOGRAPHIC INFORMATION
 TOPOGRAPHIC INFORMATION PROVIDED BY ADAM KASPRZOK SURVEYING LTD.
 PROJ. NO. 16-211 D
 DATED NOVEMBER 30, 2016

SITE PLAN INFORMATION
 SITE PLAN PROVIDED BY THE VENTIN GROUP ARCHITECTS
 DATED SEPTEMBER 27, 2017

GEOTECHNICAL STUDY
 GEOTECHNICAL RECOMMENDATIONS PROVIDED BY HOULE CHEVRIER ENGINEERING
 PROJ. NO. 64556.01
 DATED JANUARY 16, 2017

BENCH MARK
 BENCH MARK PROVIDED BY ADAM KASPRZOK SURVEYING LTD.
 DATED NOVEMBER 30, 2016
 ELEVATIONS ARE GEODETIC AND ARE DERIVED FROM GPS OBSERVATIONS ON TEMPORARY BENCHMARKS (TBM) GRIP1 AND GRP2, USING THE PRECISE POSITIONING SERVICE

No.	BY	DATE	DESCRIPTION
4	AWT	17.10.06	ISSUED FOR TENDER
3	HJP	17.07.21	SUBMITTED FOR MTO REVIEW
2	HJP	17.07.07	ISSUED FOR CLIENT REVIEW
1	HJP	17.06.22	SUBMITTED FOR MTO REVIEW

No.	BY	DATE	DESCRIPTION
4	AWT	17.10.06	ISSUED FOR TENDER
3	HJP	17.07.21	SUBMITTED FOR MTO REVIEW
2	HJP	17.07.07	ISSUED FOR CLIENT REVIEW
1	HJP	17.06.22	SUBMITTED FOR MTO REVIEW

PROJECT No. 17-937

GRADING AND DRAINAGE PLAN
2473 RUSSETT DRIVE © DSEL

THE TOWNSHIP OF McNAB/BRAESIDE 2508 Russett Drive
 Amprior, Ontario, K7S 3G8
 Tel. (613) 623-5756

DSEL 120 Iler Road Unit 103
 Stittsville, Ontario, K2S 1E9
 Tel. (613) 836-0856
 Fax. (613) 836-7183
 www.DSEL.ca

DAVID SCHAEFER ENGINEERING LTD. SMART SUBDIVISIONS™

DRAWN BY: A.W.T. CHECKED BY: S.L.M. DRAWING NO. SHEET NO.
 DESIGNED BY: B.N.C. CHECKED BY: A.D.F. GP-1 1 of 2
 SCALE: 1:300 DATE: OCTOBER 2017