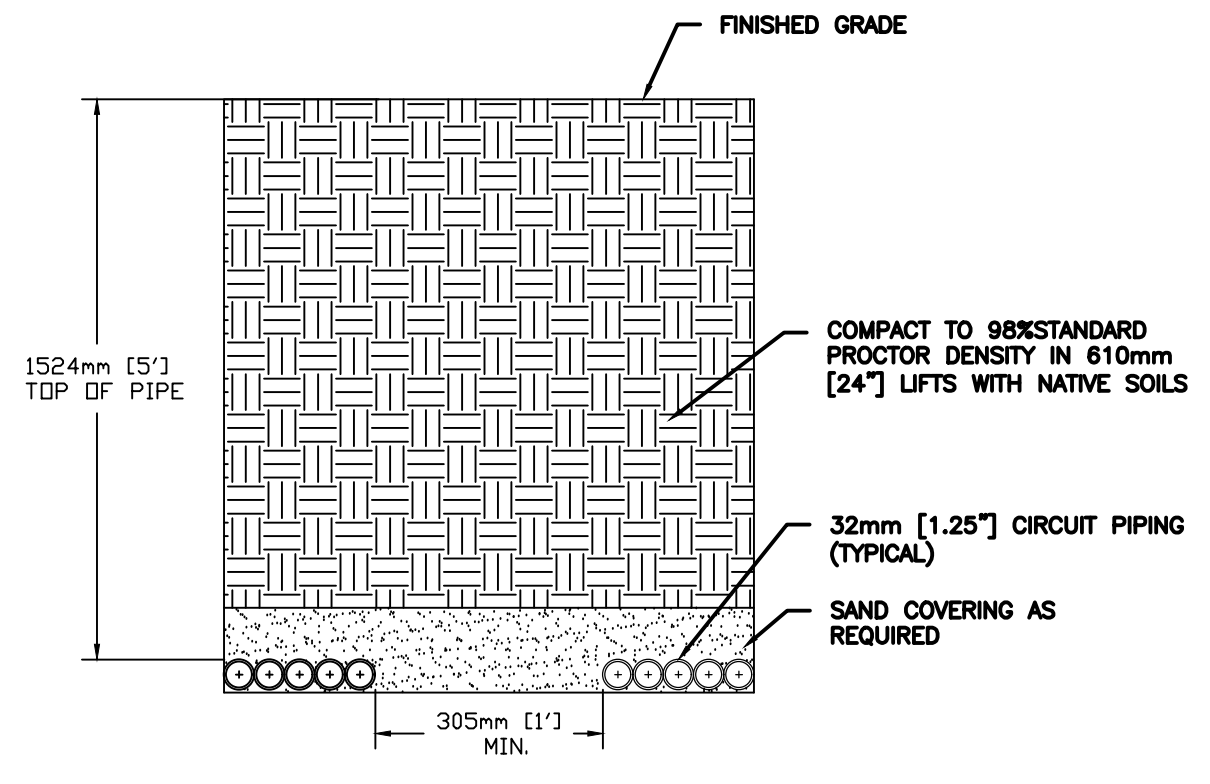


IT IS THE RESPONSIBILITY OF THE APPROPRIATE CONTRACTOR TO CHECK AND VERIFY ALL DIMENSIONS ON SITE AND TO REPORT ALL ERRORS AND/OR OMISSIONS TO THE ARCHITECT.

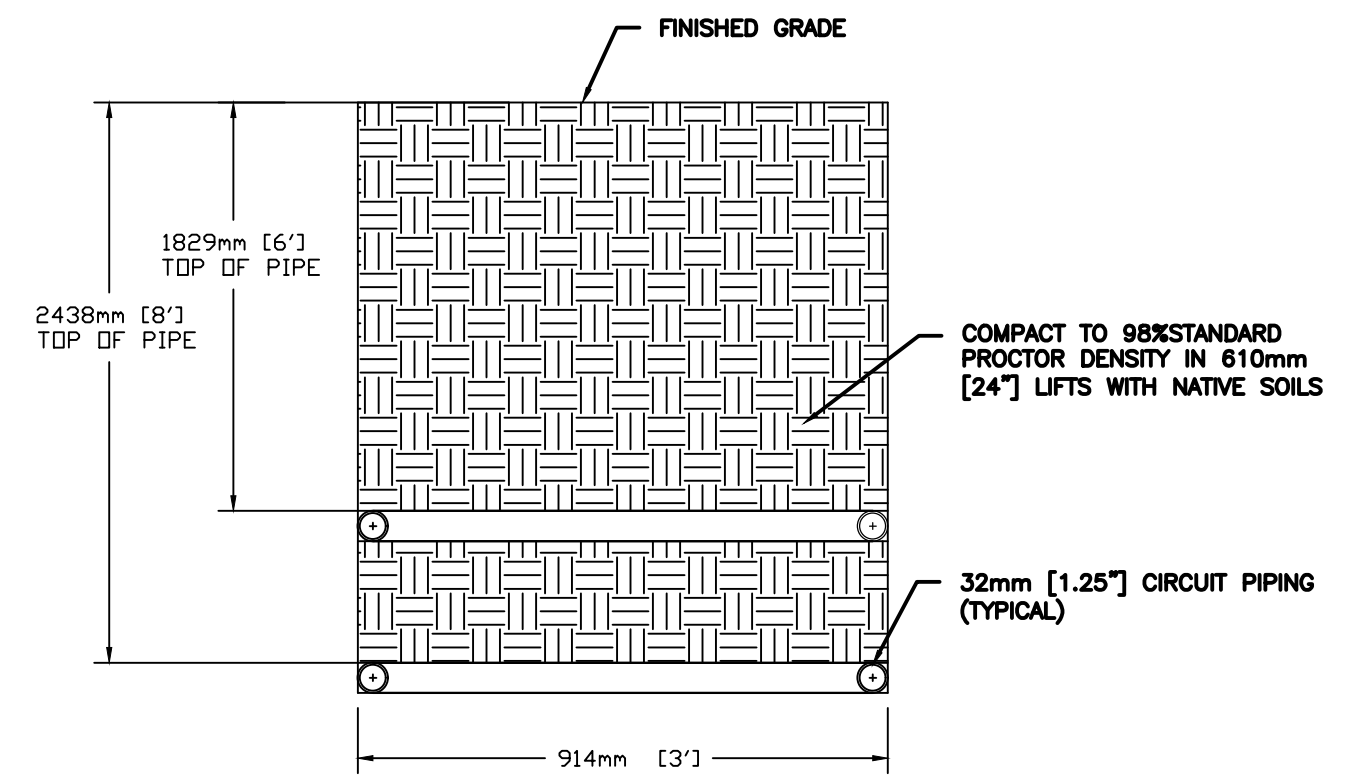
ALL CONTRACTORS MUST COMPLY WITH ALL PERTINENT CODES AND BY-LAWS.

THIS DRAWING MAY NOT BE USED FOR CONSTRUCTION UNTIL SIGNED BY THE ARCHITECT.

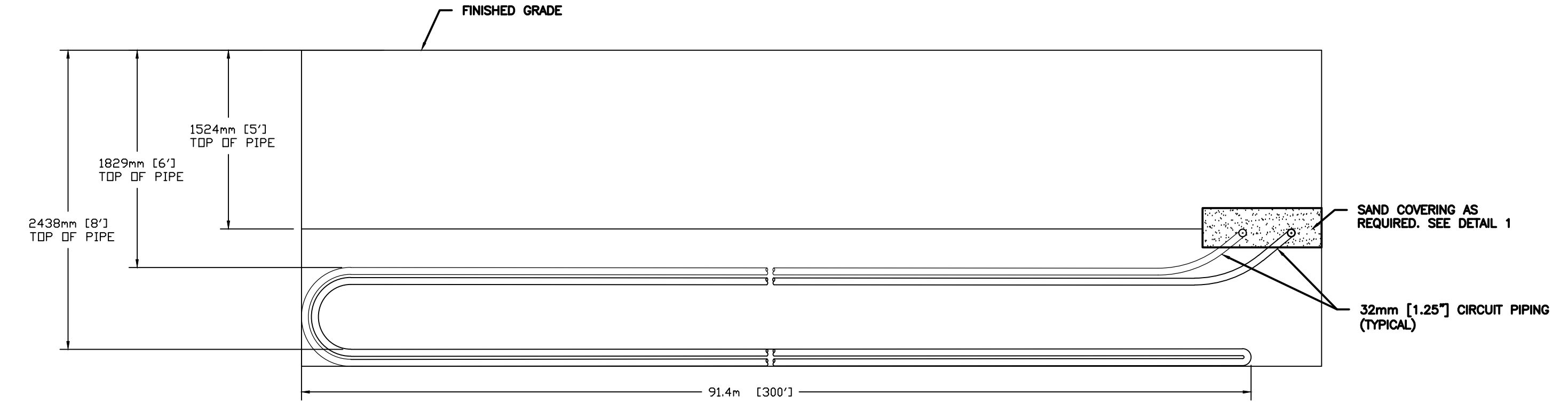
DO NOT SCALE DRAWINGS
COPYRIGHT RESERVED



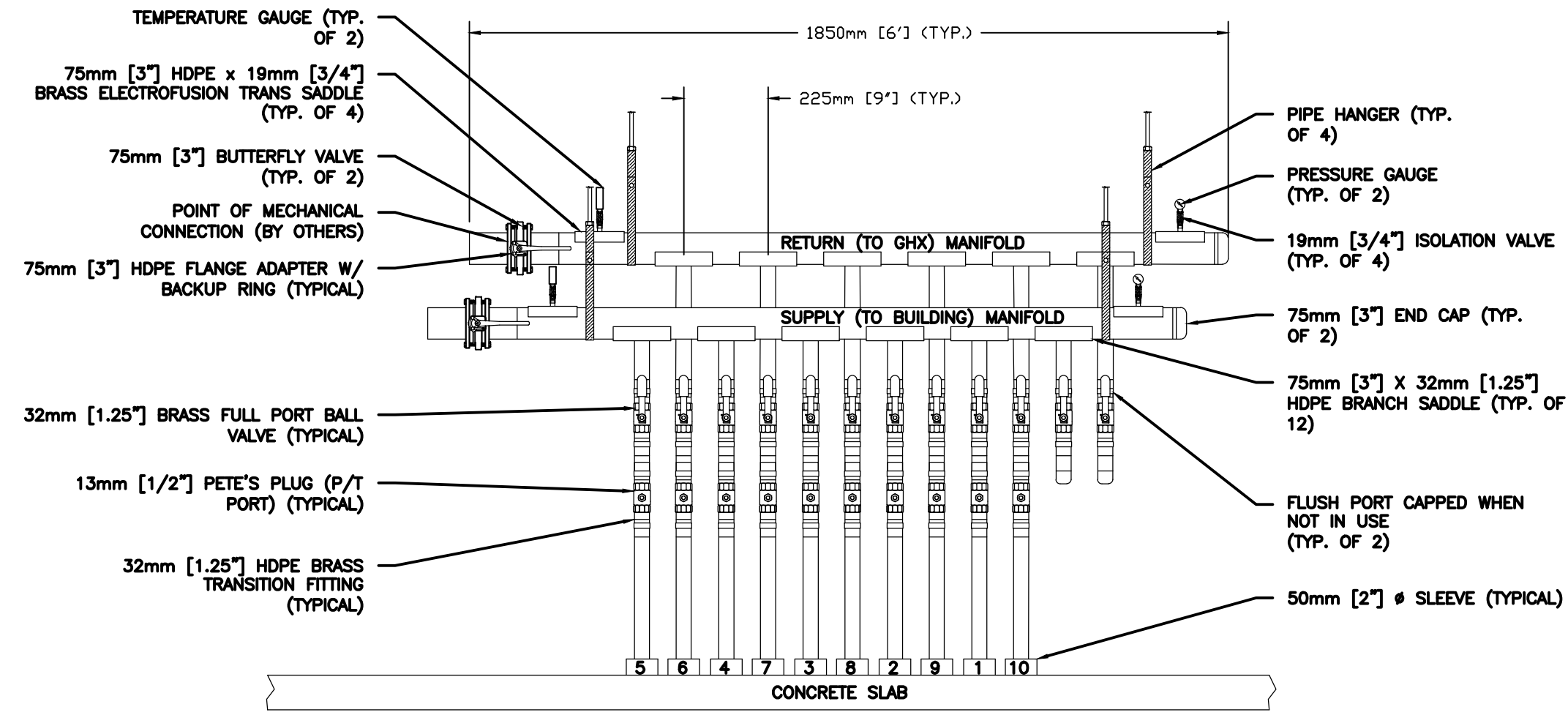
1 RUNOUTS TRENCH DETAIL
Scale: NTS



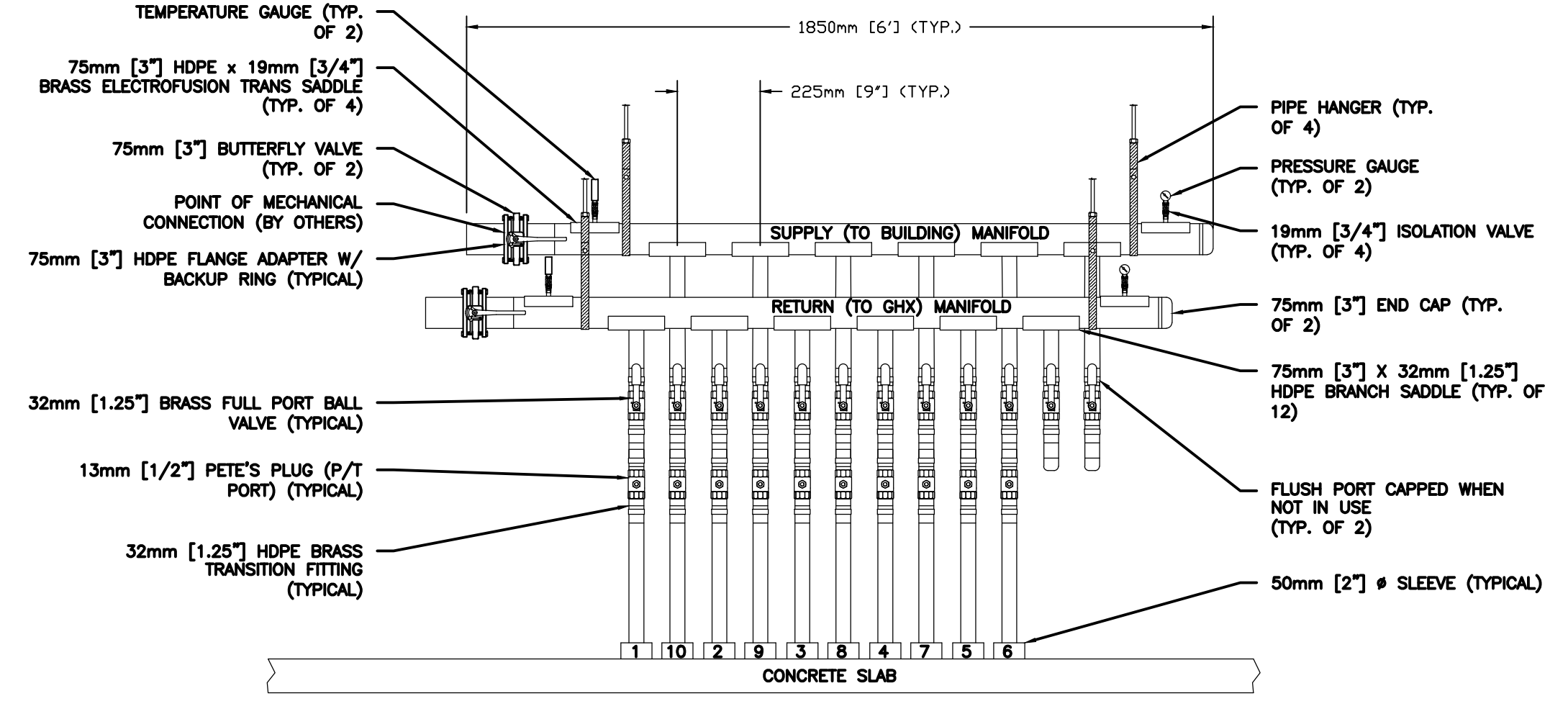
2 CIRCUIT TRENCH CROSS-SECTION DETAIL
Scale: NTS



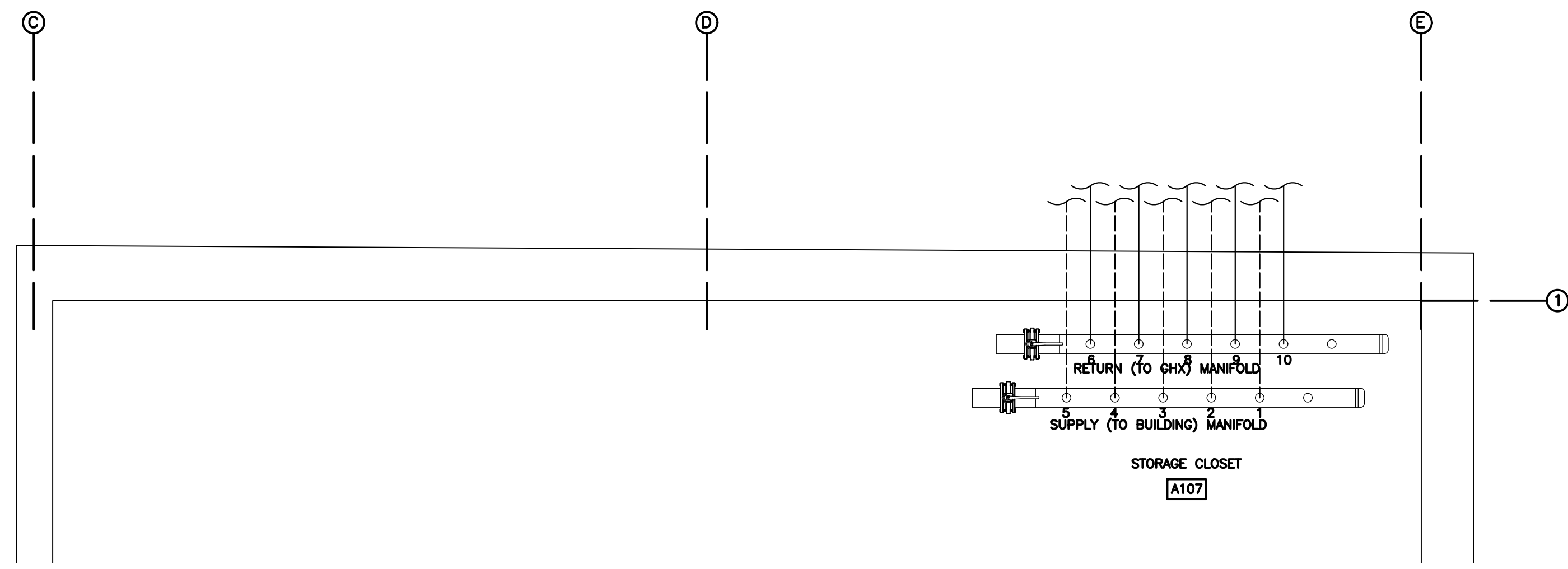
3 CIRCUIT TRENCH DETAIL
Scale: NTS



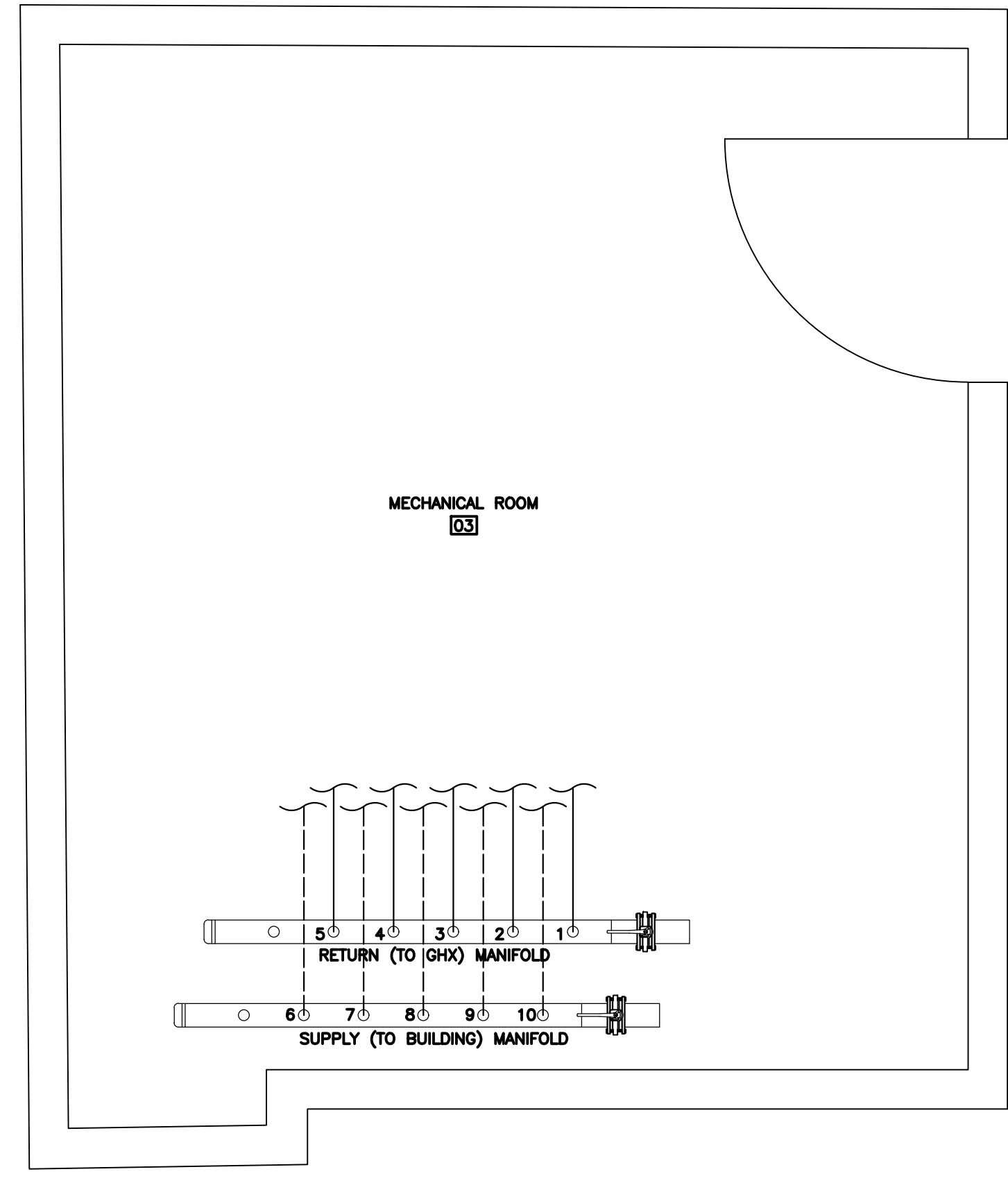
4 MAIN ADMINISTRATIVE BUILDING GHX MANIFOLD DETAIL
Scale: NTS



5 PERNEEL BUILDING GHX MANIFOLD DETAIL
Scale: NTS



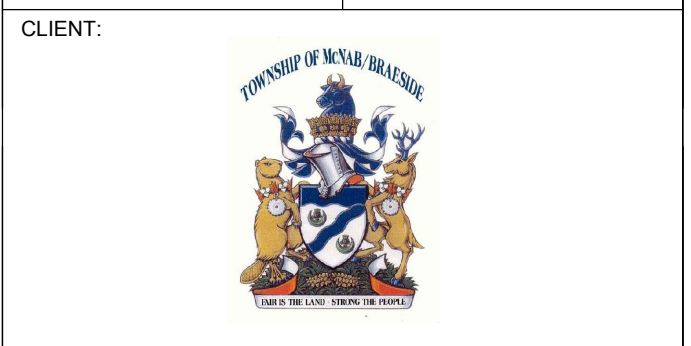
6 MAIN ADMINISTRATIVE BUILDING MANIFOLD LOCATION
Scale: 1:20



7 PERNEEL BUILDING MANIFOLD LOCATION
Scale: 1:20

REVISIONS:	ISSUED FOR:	DATE:
1	ISSUED FOR REVIEW	06.10.2017
#	ISSUED FOR:	DD.MM.YY

STAMP / SEAL:	NORTH ARROW:
---------------	--------------



PROJECT TITLE:
McNAB / BRAESIDE TOWN CENTRE

ARNPRIOR ONTARIO

SHEET TITLE:
GROUND HEAT EXCHANGER DETAILS

DRAWN: AT	CHECKED: GFR
SCALE: AS NOTED	SHEET No: GHX-2
PROJECT No: 21688	

PAPER SIZE: ARCH D (24in X 36in)

PLOT SCALE: 1:1

FILE LOCATION:

PLOT DATE: