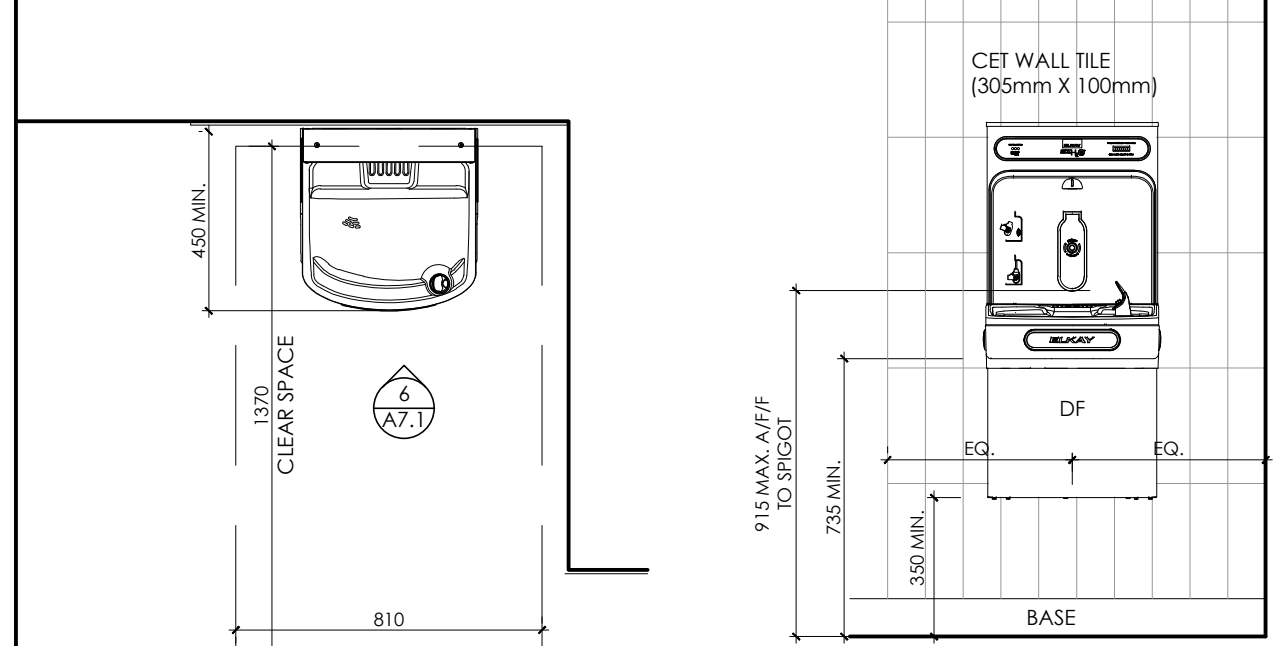
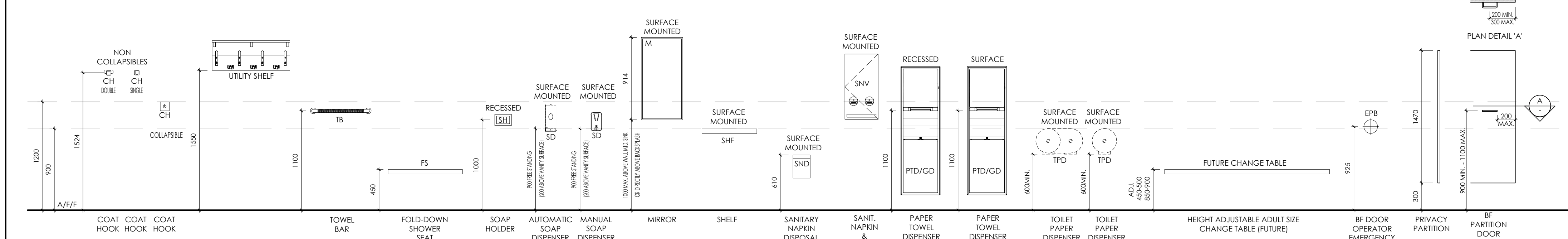


1 WASHROOM PLANS
A2.1



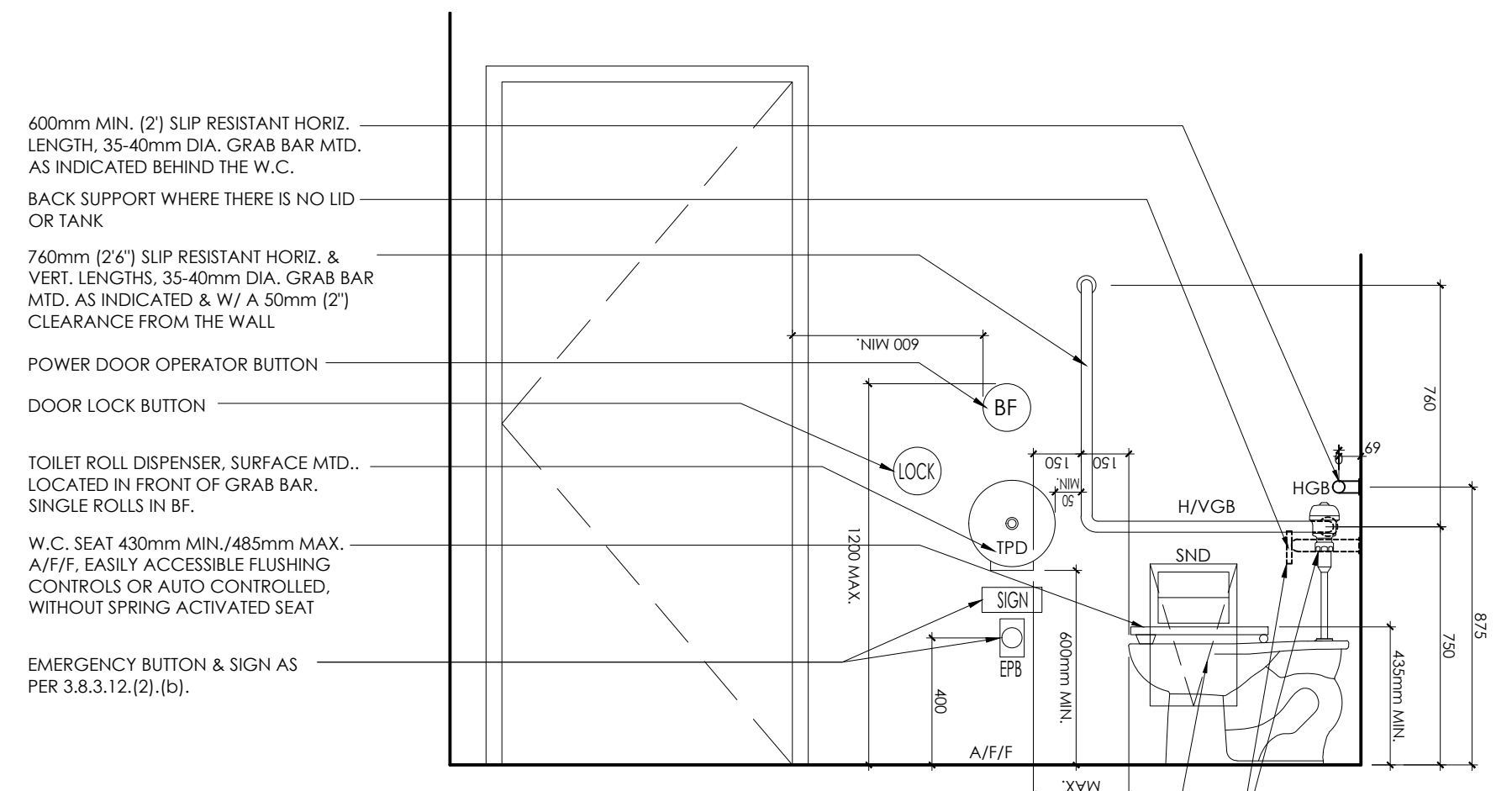
5 DRINKING FOUNTAIN PLAN
A2.1

6 DRINKING FOUNTAIN ELEV. & SECTION
A7.1



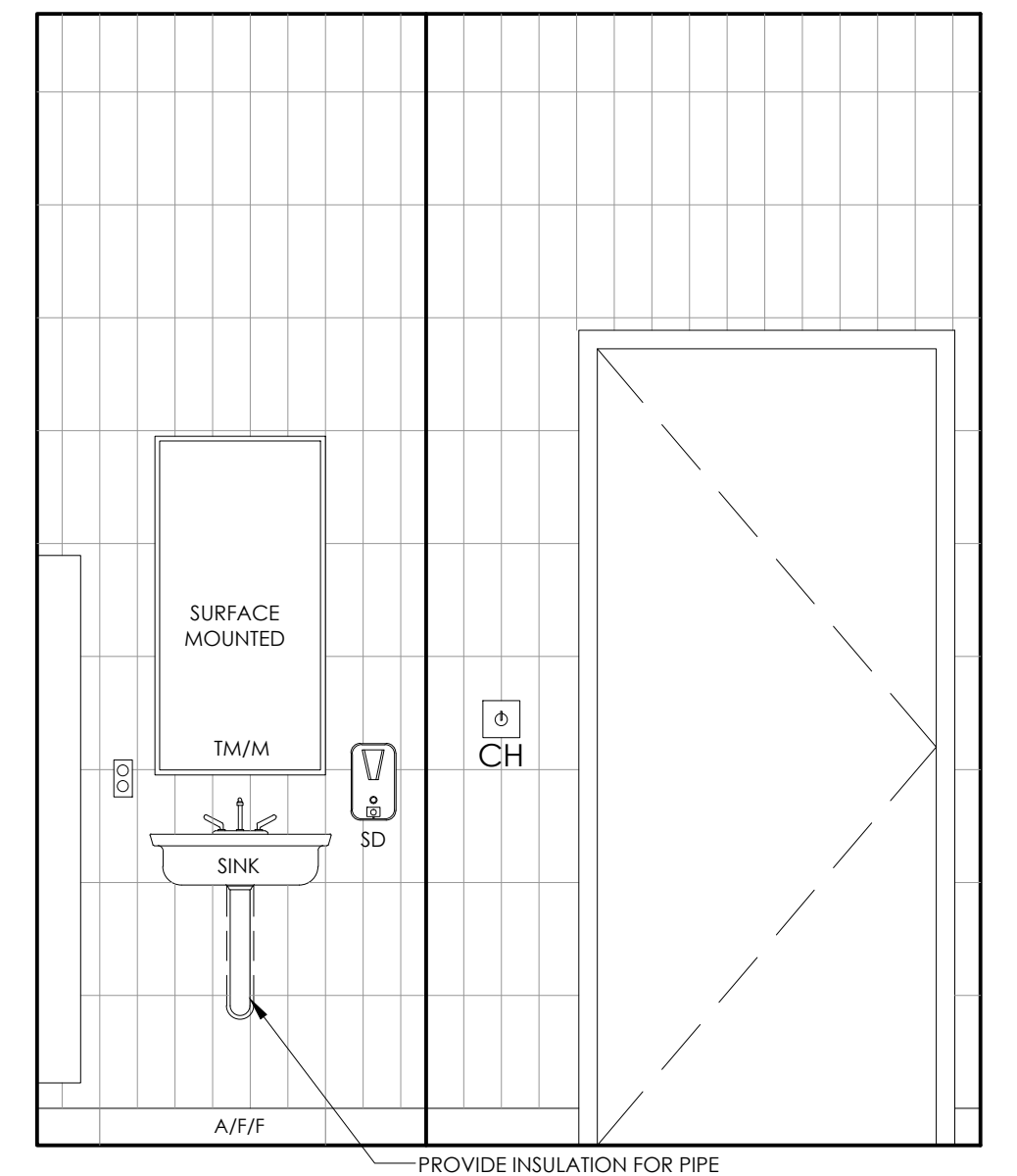
7 ACCESSORY MOUNTING HEIGHTS
A7.1

CONTRACTOR SHALL VERIFY ALL ROUGH-IN AND MOUNTING HEIGHTS FOR ALL SPACES OTHER SIMILAR NON-TYP. SPACES W/ OWNER / OPERATOR PRIOR TO CONST. THE ABOVE NOTED HEIGHTS SHALL BE CONFIRMED TO BE IN ACCORDANCE W/ THE LATEST OBC PRIOR TO ROUGH-IN & INSTALL.

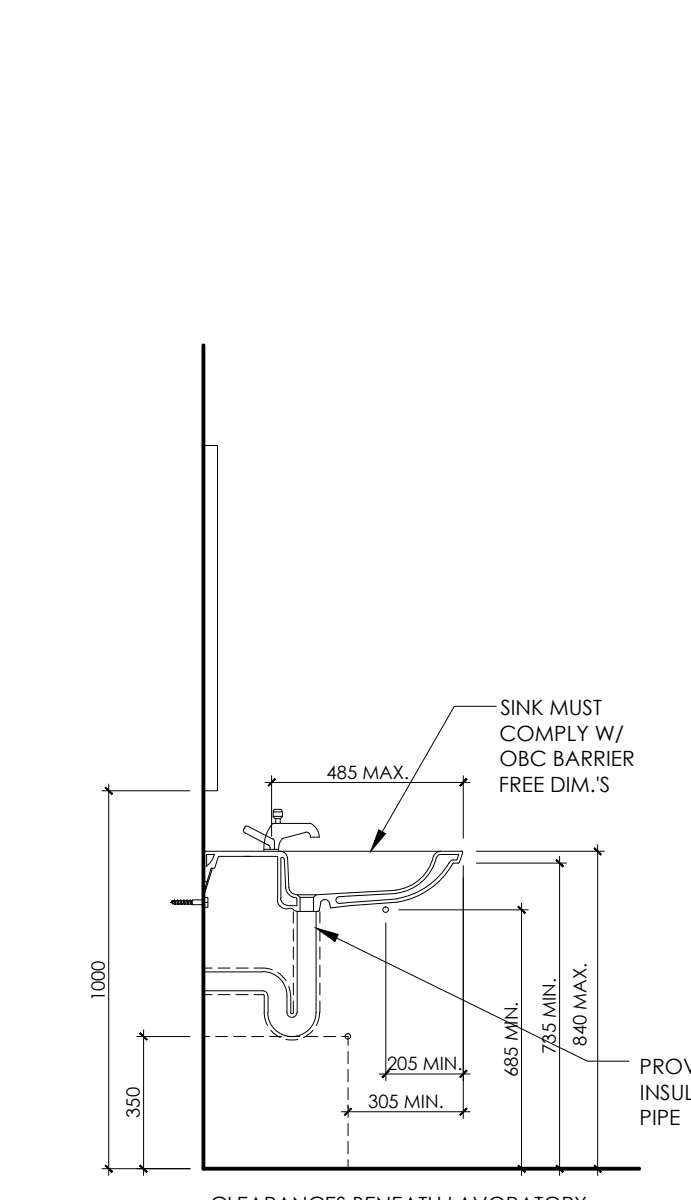


600mm MIN. (2') SLIP RESISTANT HORIZ. LENGTH, 35-40mm DIA. GRAB BAR MTD. AS INDICATED BEHIND THE W.C. BACK SUPPORT WHERE THERE IS NO LID OR TANK
760mm (2'6") SLIP RESISTANT HORIZ. & VERT. LENGTHS, 35-40mm DIA. GRAB BAR MTD. AS INDICATED & W/ A 50mm (2") CLEARANCE FROM THE WALL
POWER DOOR OPERATOR BUTTON
DOOR LOCK BUTTON
TOILET ROLL DISPENSER, SURFACE MTD. LOCATED IN FRONT OF GRAB BAR. SINGLE ROLLS IN BF.
W.C. SEAT 430mm MIN./485mm MAX. A/F/F, EASILY ACCESSIBLE FLUSHING CONTROLS OR AUTO CONTROLLED, WITHOUT SPRING ACTIVATED SEAT
EMERGENCY BUTTON & SIGN AS PER 3.8.3.12.(2), (b).

2 UNIVERSAL W.C. ELEV.
A7.1



3 UNIVERSAL W.C. ELEV.
A7.1



4 UNIVERSAL W.C. SECTION
A7.1

WASHROOM LEGEND

| | |
|--|--|
| | POWER DOOR OPERATOR |
| | PUSH BUTTON FOR POWER DOOR OPERATOR - 610mm MIN. FROM THE END OF ANY DOOR SWING (925mm A/F/F TO CENTER OF BUTTON TYP.) |
| | EMERGENCY PUSH BUTTON / CALL SYSTEM W/ AUDIBLE / VISUAL SIGNALING ON INSIDE & OUTSIDE & EMERGENCY SIGN (925mm A/F/F TO CENTER OF BUTTON TYP.) (400mm A/F/F UNIV. WR. TYP.) (U/S DESK FOR SELECTIVE MILLWORK) |
| | WALL FINISH FULL HEIGHT (TO 200mm ABOVE FIN. CEILING OR TO U/S DECK) ON ALL WASHROOM WALLS TYP. (COORD. W/ INT. WASHROOM ELEV.'S FOR ANY ASSOCIATED PATTERNS) |
| | WALL FINISH ACCENT (COORD. W/ INT. WASHROOM ELEV.'S FOR ANY ASSOCIATED PATTERNS) |
| | WALL FINISH NOTE FOR ANY ADDITIONAL RELEVANT INFO. |
| | WALL FINISH TERMINATION POINT |

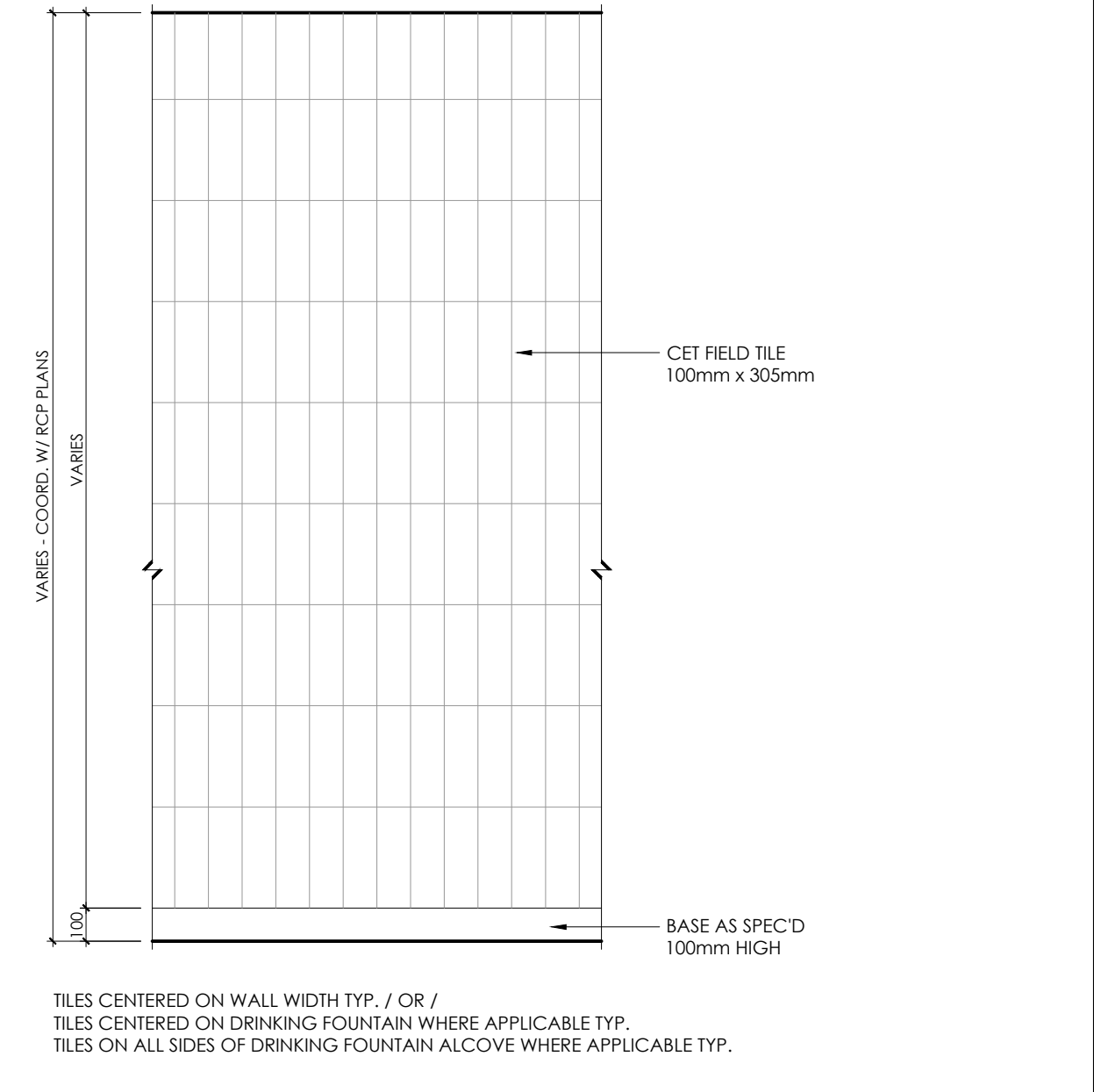
- GENERAL NOTES**
- CONTRACTOR SHALL VERIFY ALL ROUGH-IN & PLUMBING, FIXTURE & ACCESSORY MOUNTING HEIGHTS & OTHER SIMILAR NON-TYPICAL SPACES W/ OWNER / OPERATOR PRIOR TO CONST. THE ABOVE NOTED HEIGHTS SHALL BE CONFIRMED TO BE IN ACCORDANCE W/ THE LATEST O.B.C. PRIOR TO ROUGH-IN & INSTALLATION
 - WASHROOMS & DRINKING FIN.'S TILE WALL FIN. TO HAVE TILE BASE, TILE WALL FIN. TO EXTEND TO U/S FIN. CEILING TYP. (COORD. W/ TYP. TILE PATTERN ELEV.'S & A7 STD. DRINKING FIN. DETAILS)
 - WASHROOMS & DRINKING FIN.'S W/O WALL FIN. TO HAVE SPECIAL PERFORMANCE COATING (EPOXY PAINT) APPLIED W/ RUBBER BASE
 - COORD. W/ INTERIOR FIN. SCH. FOR TILE MANUF. / COLOURS TYP.
 - SHOP DWG.'S TO BE IN DIMENSION UNITS AS ILLUSTRATED ON THIS DWG. OR THEY WILL BE REJECTED (IMPERIAL & METRIC BOTH SHOWN IS ACCEPTABLE)

HATCH IDENTIFICATION MARKER LEGEND

| | |
|--|--|
| | CERAMIC TILE (COORD. W/ TYP. TILE PATTERN ELEV. FOR TYPE) |
| | CERAMIC TILE (FLOORS) (COORD. W/ TYP. TILE PATTERN ELEV. FOR TYPE) |

WASHROOM LEGEND

| | |
|-------|------------------------------|
| CH | COAT HOOK |
| DF | DRINKING FOUNTAIN |
| EPB | EMERGENCY PUSH BUTTON |
| GD | GARBAGE DISPOSAL |
| HD | HAND DRYER |
| HGB | HORIZONTAL GRAB BAR |
| H/VGB | HORIZONTAL/VERTICAL GRAB BAR |
| M | MIRROR |
| O/H | OVERHANG |
| PLAM | PLASTIC LAMINATE |
| PTD | PAPER TOWEL DISPENSER |
| PL | PUSH TO LOCK |
| SD | SOAP DISPENSER |
| SHF | SHelf |
| SND | SANITARY NAPKIN DISPENSER |
| TB | TOWEL BAR |
| TPD | TOILET PAPER DISPENSER |
| VGB | VERTICAL GRAB BAR |



8 TILE PATTERN ELEV.
A7.1

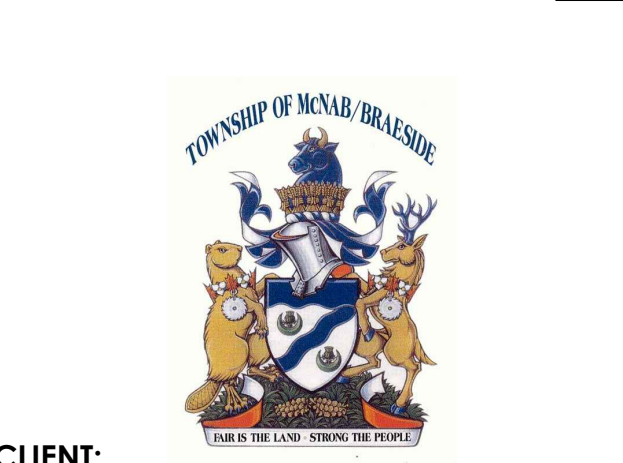
REVISIONS

| NO. | DATE | PARTICULAR |
|-----|------------|-------------------------------------|
| 1 | 2017.08.21 | ISSUED FOR BUILDING PERMIT & TENDER |
| 2 | 2017.08.22 | ISSUED FOR CLIENT REVIEW |
| 3 | 2017.10.06 | ISSUED FOR CLIENT REVIEW |
| 4 | 2017.10.12 | ISSUED FOR TENDER |

NOTES:

-
-
-
-

PRELIMINARY
NOT TO BE USED FOR CONSTRUCTION



CLIENT:
TOWNSHIP OF McNAB / BRAESIDE

PROJECT:
21688

McnAB / BRAESIDE MUNICIPAL BUILDING
2473 RUSSETT DRIVE, ARNPRIOR, ONTARIO K7S 3G8

ORIGINAL PAGE SIZE ARCH D - 24" x 36"
KEY TO DETAIL LOCATION:
A - DETAIL NO.
B - DETAIL NO. ORIGIN

+V&G ARCHITECTS
THE VENIN GROUP LTD

A7.1

DRAWN BY: KH.NM CHECKED BY: YR

Reproduction of drawings and related documents in whole or in part is prohibited without written permission of The Venin Group.