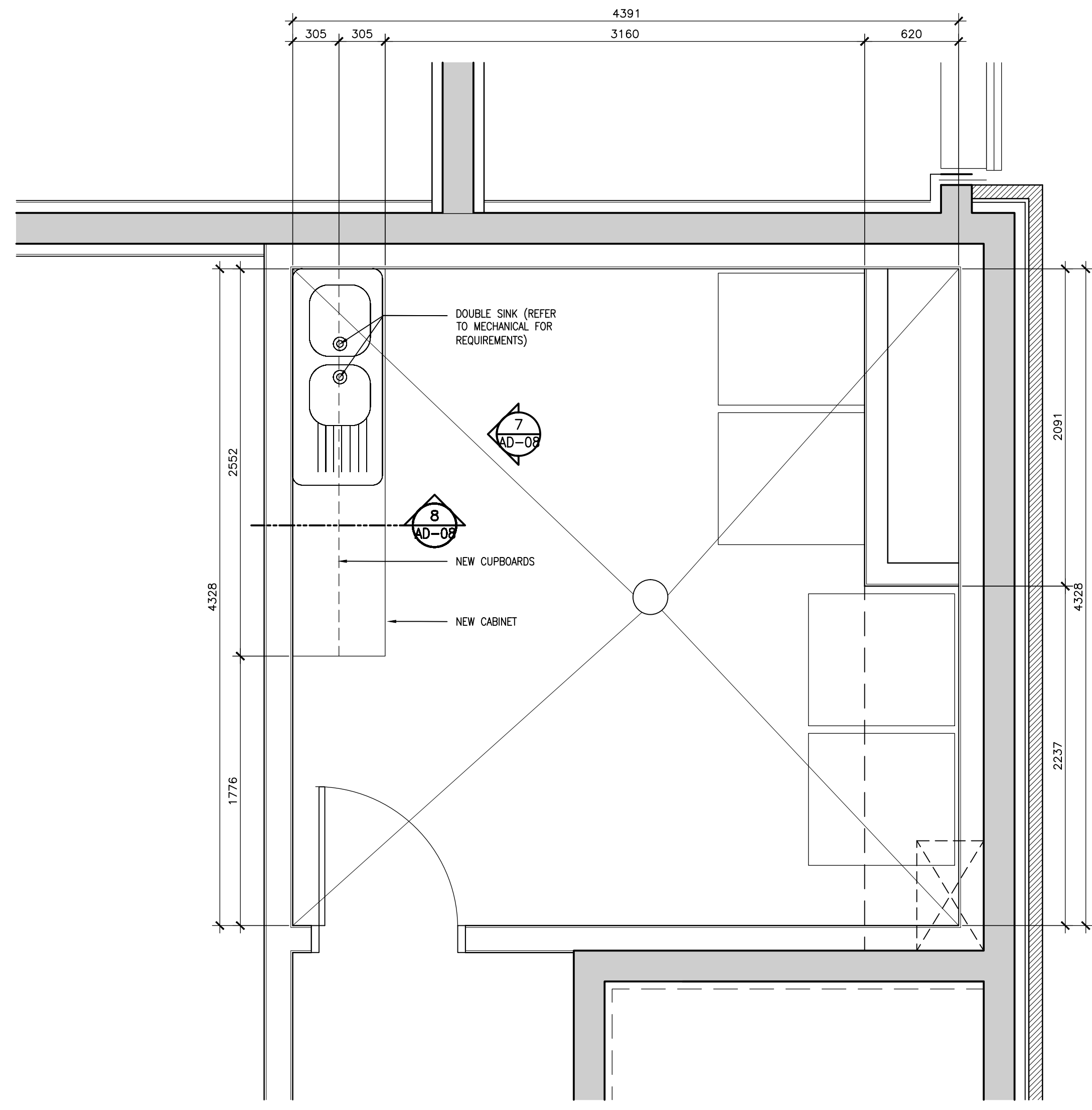
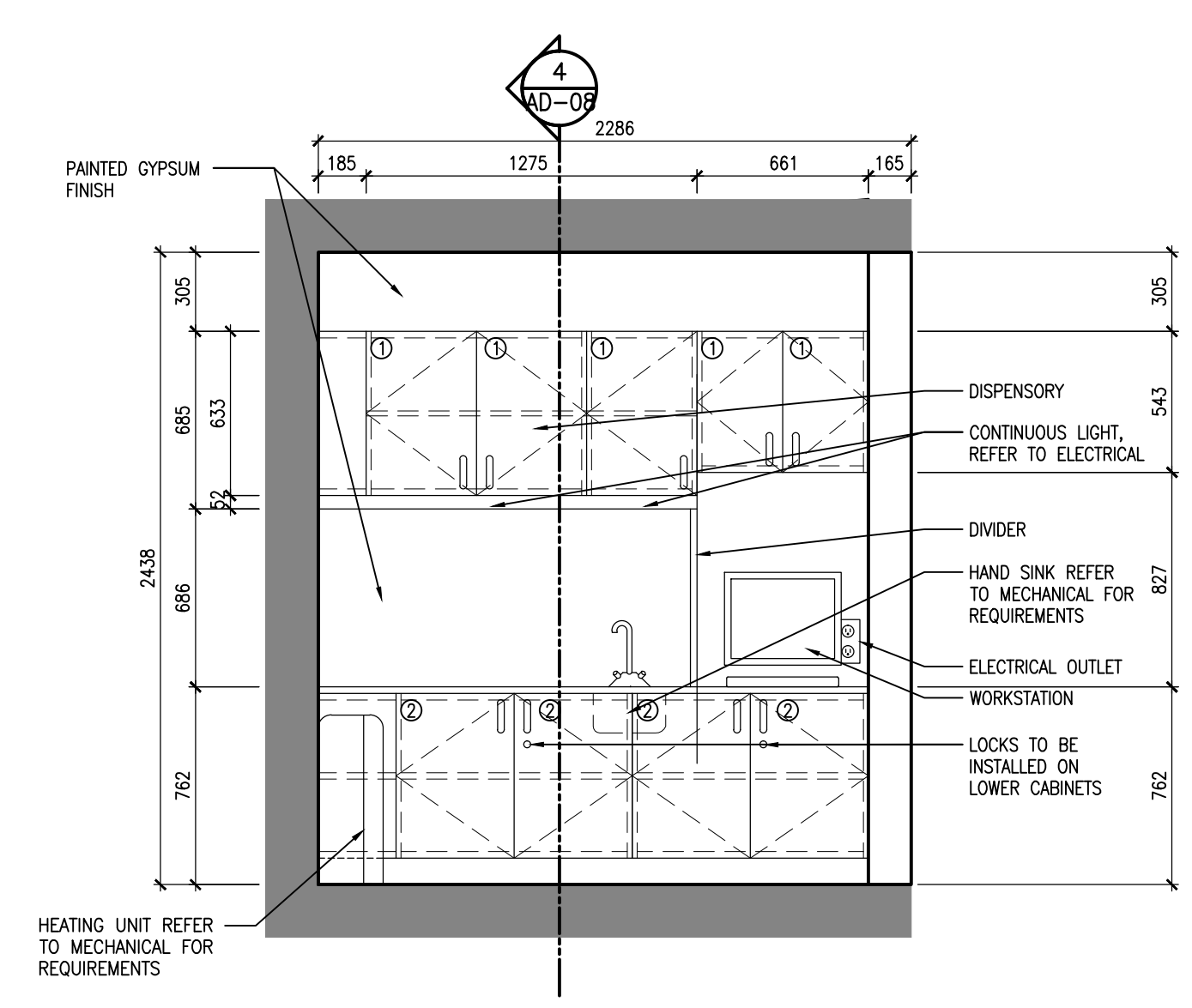


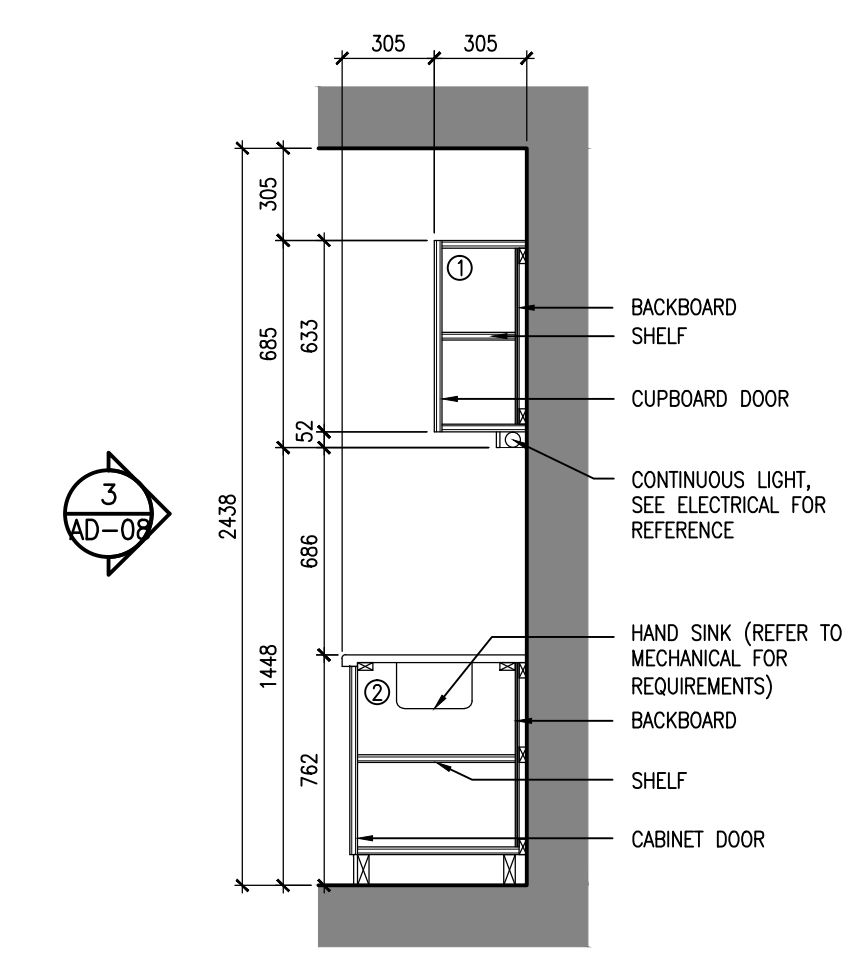
1 NURSE STATION/DOCTOR'S OFFICE PLAN VIEW
SCALE=1:25



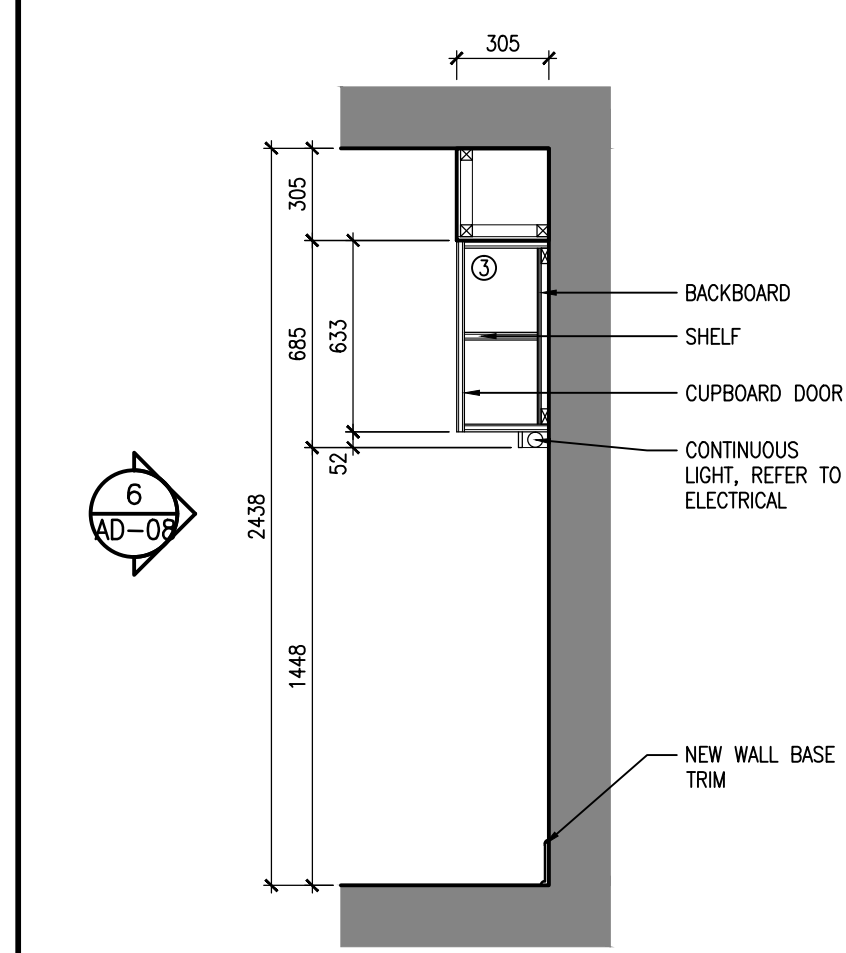
2 LAUNDRY ROOM B01 PLAN VIEW
SCALE=1:25



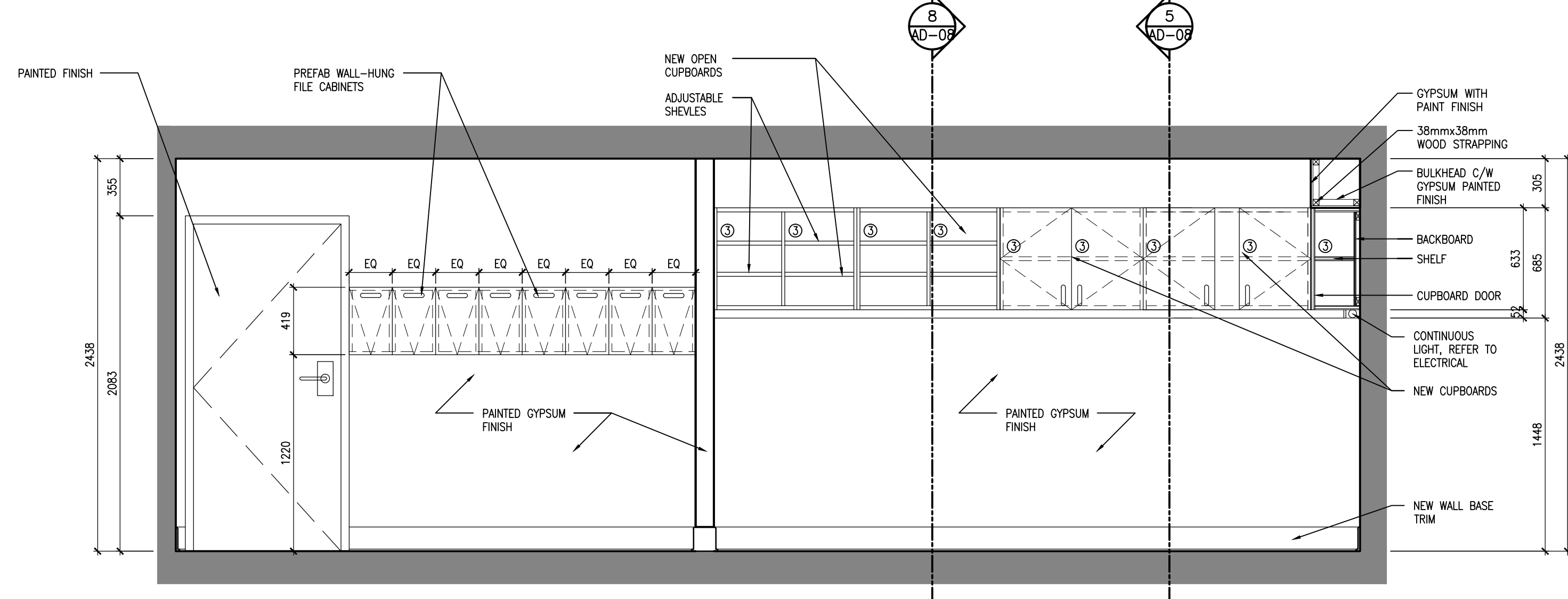
3 DOCTOR'S OFFICE ELEVATION
SCALE=1:25



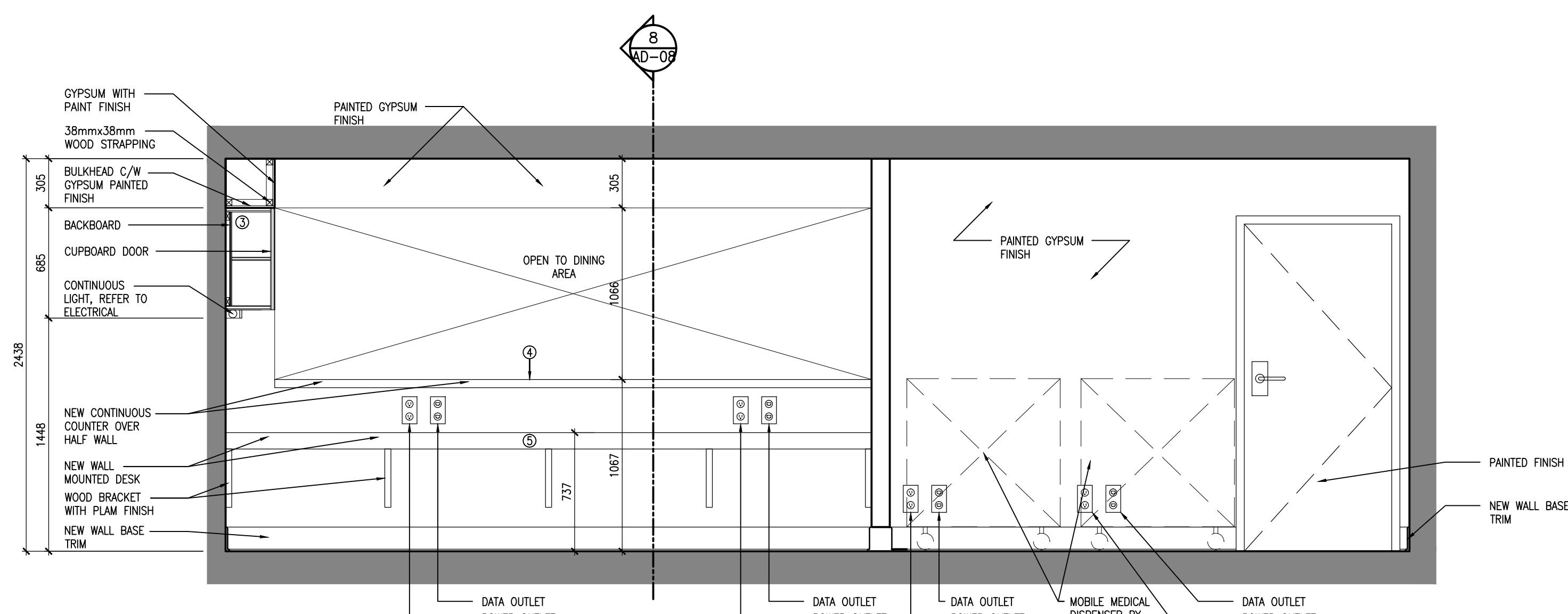
4 DOCTOR'S OFFICE SECTION
SCALE=1:25



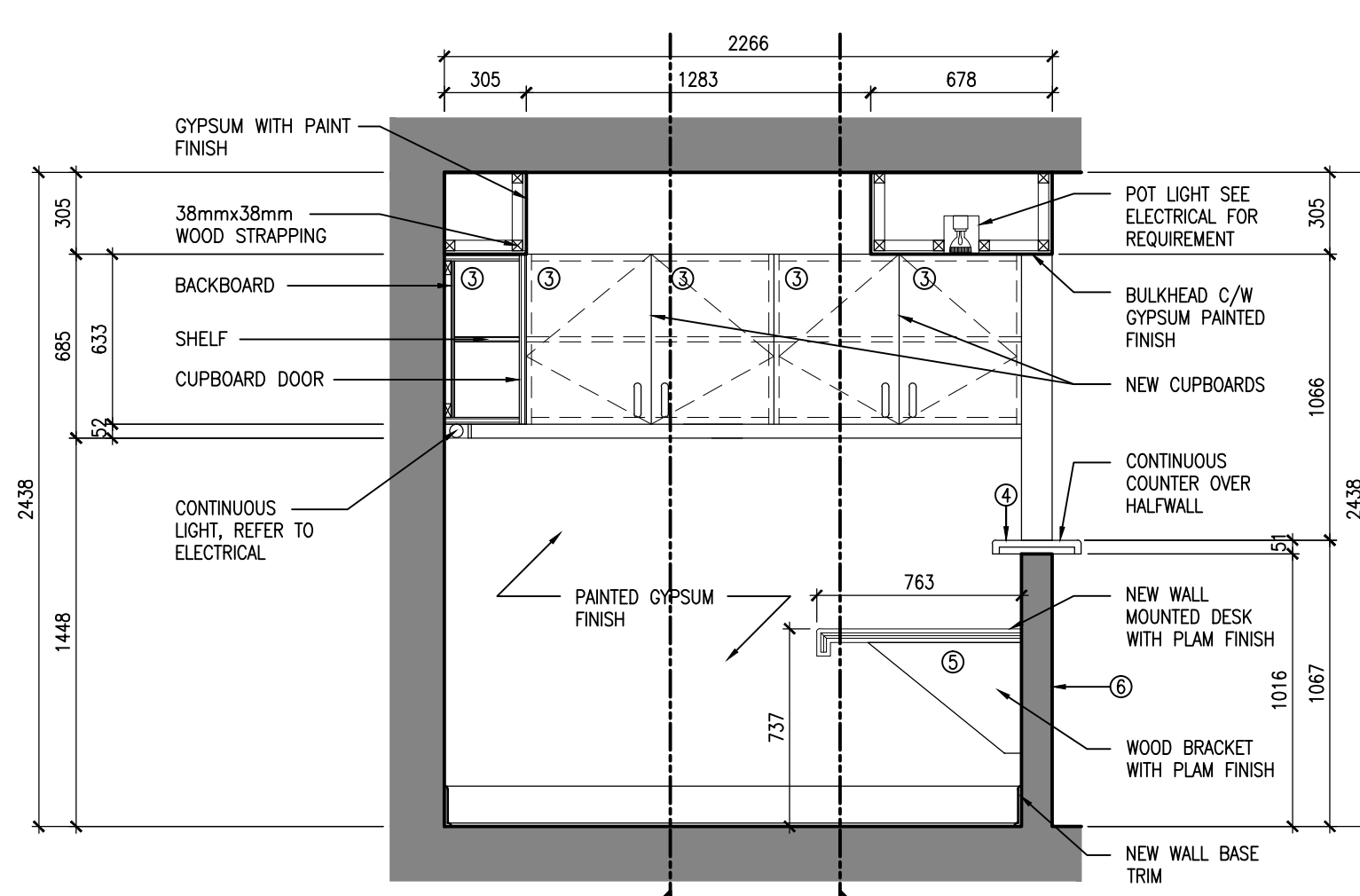
5 NURSE'S STATION SECTION
SCALE=1:25



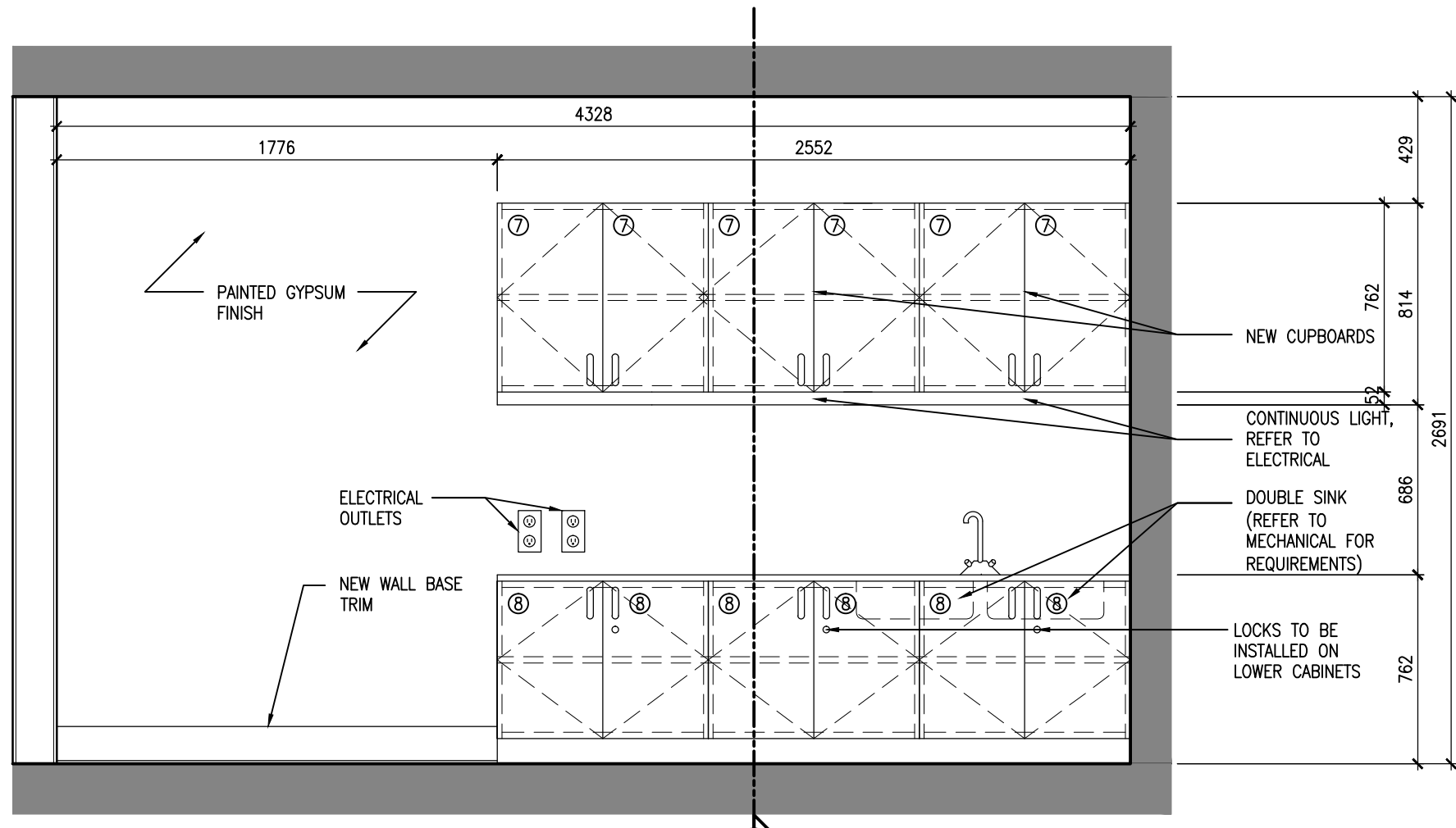
6 NURSE'S STATION ELEVATION
SCALE=1:25



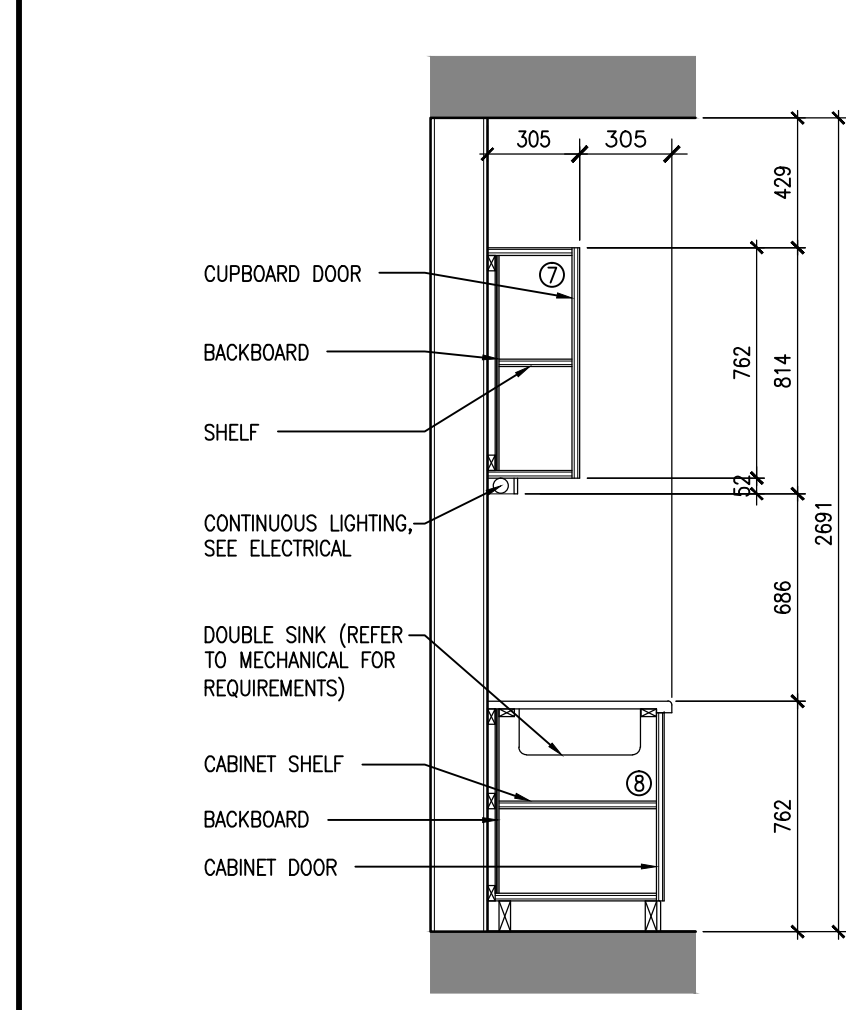
7 NURSE'S STATION ELEVATION
SCALE=1:25



8 NURSE'S STATION ELEVATION
SCALE=1:25



9 LAUNDRY ROOM ELEVATION
SCALE=1:25



10 LAUNDRY ROOM SECTION
SCALE=1:25

SYMBOL	ROOM	SPECIFIED ITEM	TYPE	MODEL / COLLECTION	FINISH	COMPANY	QTY
1	DOCTOR'S OFFICE	CABINET	THERMO	#99	TUXEDO-2	THERMOFORM	---
2	DOCTOR'S OFFICE	COUNTER	STRAT	RK7002T	RK7002T	NEWMAR	---
3	NURSE'S STATION	CABINET	THERMO	#99	TUXEDO-2	---	---
4	NURSE'S STATION	COUNTER OVER HALF-WALL	GRANITE	CAMBRIAN	WINDERMERE	CAMBRIA	---
5	NURSE'S STATION	WALL-MOUNTED STATION WORK DESK	STRAT	RK7002T	RK7002T	NEWMAR	---
6	NURSE'S STATION	HALF-WALL FACING OUT	VINYL	RUSTIC WOOD	#909-13	1867 EVOLUTION	---
7	LAUNDRY ROOM	CABINET	THERMO	#99	TUXEDO-2	THERMOFORM	---
8	LAUNDRY ROOM	COUNTER	STRAT	RK7002T	RK7002T	NEWMAR	---

11 LIST OF ITEM FINISHES
SCALE=N/A

ALL CONTRACTORS TO VERIFY ALL DIMENSIONS ON SITE AND TO REPORT ALL ERRORS AND/OR OMISSIONS TO THE ARCHITECT.
ALL CONTRACTORS MUST COMPLY WITH ALL CODES AND BYLAWS AND OTHER AUTHORITIES HAVING JURISDICTION OVER THE WORK.
DO NOT SCALE DRAWINGS.
THIS DRAWING MAY NOT BE USED FOR CONSTRUCTION UNTIL SIGNED BY THE ARCHITECT.
COPYRIGHT RESERVED.

19		
18		
17		
16		
15		
14		
13		
12		
11		
10		
09		
08		
07		
06		
05		
04		
03		
02		
01	ISSUED FOR TENDER	05/08/15
NO.	REVISION	MM/DD/YY DATE

WOODMAN ARCHITECT ASSOCIATES LTD.
4 BEECHWOOD, SUITE 201, OTTAWA, ONTARIO, CANADA K1L 8L9
TEL: 613 228 9850 FAX: 613 228 9848 mailto:woodmanarchitect.com

CONSULTANTS:
STRUCTURAL - WSP
MECHANICAL - BGA
ELECTRICAL - BGA

PROJECT
LONG SAULT VILLA PROPOSED NEW LINKED BUILDING

DRAWING:
MILLWORK

DATE: JULY 28 2015 JOB NO.: 1428
SCALE: 1:25 DRAWING NO.:
DRAWN BY: R.L.
REVIEWED BY: P.E. **AD.08**