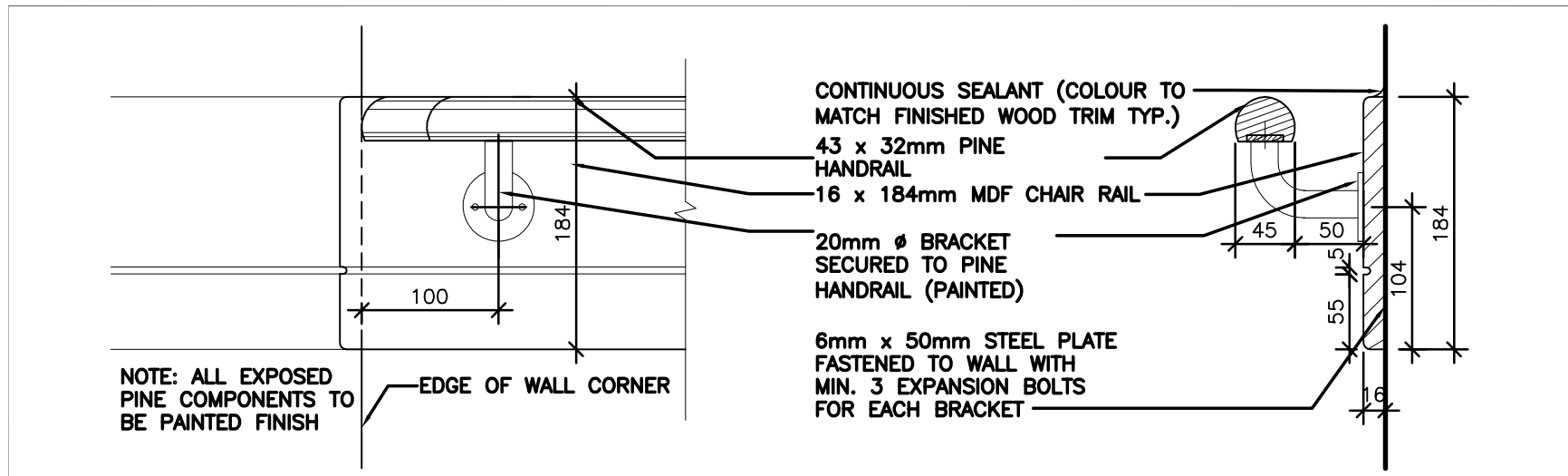
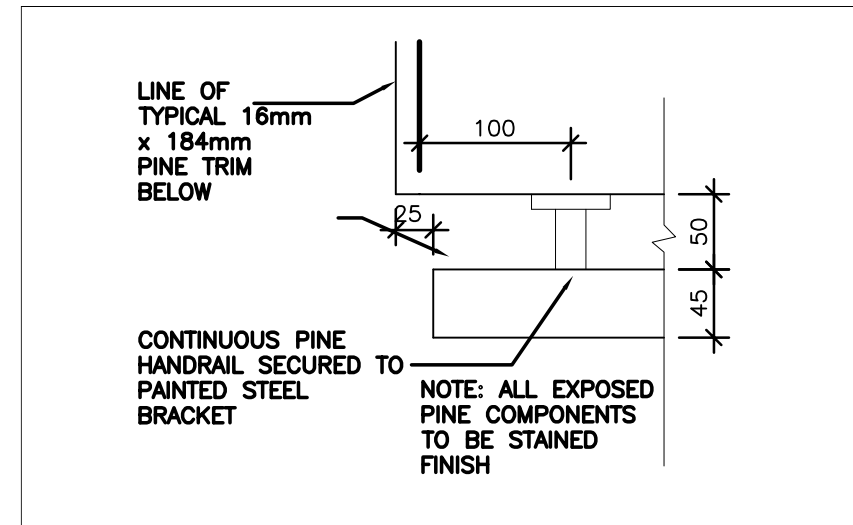


57 SECTION DETAIL
A09.5 TYPICAL CORRIDOR
1:20

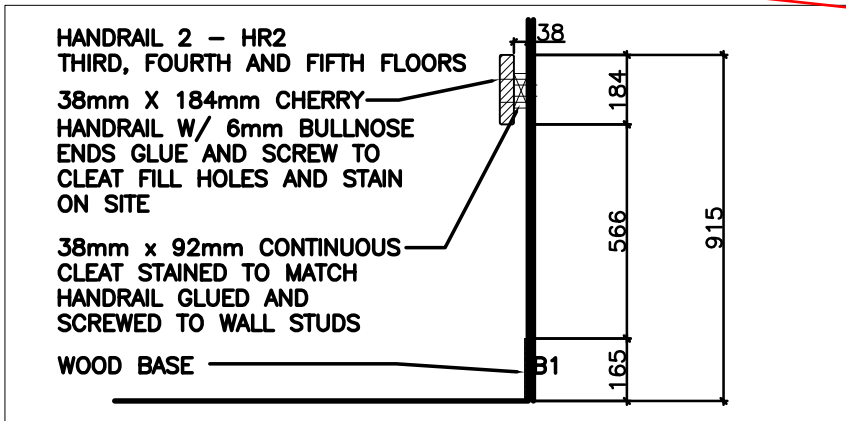


58 ELEVATION/SECTION DETAIL
A09.5 TYPICAL HANDRAIL
1:5



59 PLAN DETAIL
A09.5 TYPICAL HANDRAIL
1:5

MEMORY CARE & ASSISTED LIVING



60 SECTION DETAIL
A09.5 TYPICAL CORRIDOR
1:20