

# SHOP DRAWING TRANSMITTAL



Project: Turnbull School Music Room Addition Project No: 1705  
Date: October 18, 2018  
To: TALCO Building Innovations Ltd.  
Attn: Farah Bano (fbano@tal-co.com)  
From: Reinhard Vogel

- |  |  |
|--|--|
| <input type="checkbox"/> Approval                | <input type="checkbox"/> Courier           |
| <input checked="" type="checkbox"/> Distribution | <input type="checkbox"/> By Hand           |
| <input type="checkbox"/> Information and Use     | <input type="checkbox"/> Fax               |
| <input type="checkbox"/> Review and Comment      | <input type="checkbox"/> To Be Picked Up   |
| <input type="checkbox"/> Other                   | <input checked="" type="checkbox"/> e-mail |

## Partners

Barry J. Hobin  
OAA, FRAIC, Hon. Fellow AIA  
William A. Davis  
OAA, MRAIC, Associate AIA  
Gordon Lorimer  
OAA, FRAIC, Associate AIA  
Wendy Brawley  
OAA, MRAIC, Associate AIA  
Douglas Brooks  
Senior Arch. Tech.

## Directors

Marc Thivierge  
OAA, MRAIC  
Reinhard Vogel  
Senior Arch. Tech.

## Associates

Bryan Bonell  
OAA, MRAIC, Associate AIA  
William Ritcey  
MRAIC  
Dan Henhoeffter  
Senior Arch. Tech.

## Hobin Architecture Incorporated

63 Pamilla Street  
Ottawa, Ontario  
Canada K1S 3K7

t 613-238-7200  
f 613-235-2005

[hobinarc.com](http://hobinarc.com)

Shop Drawing Submittal:

Division 22 – Plumbing Fixtures

Submitted by:

S&R Mechanical

Drawing Title:

Drop In Sink LBS4607-1

Revision No.

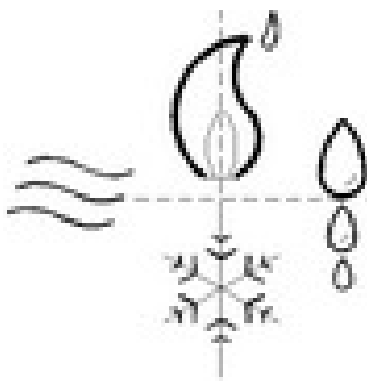
N/A

Dated:

Oct. 11, 2018

Comments:

Reviewed as noted.



# BEKOLAY & Associates. Ltd.

Consulting Engineers

October 17, 2018

Architect: **Hobin Architecture Incorporated**  
63 Pamila Street, Ottawa

Project: **Turnbull Music Rm Addition**

Att: **R. Vogel**

BAL No.: **2017-**

email: reinhard@hobinarc.com

## Mech Shop Drawing Review Comments

### 1 General:

The documents in the list have been examined for general conformance with the Contract Documents prepared by Bekolay & Associates Ltd. (BAL) for this project. This review may not be extended to any other contract, trade, division or project. Review by BAL does not imply approval or verification of information presented in these drawings and the responsibility for installation and performance, submitting the documents (including dimensional conformance) and co-ordination with other trades, lies solely with the Contractor. All changes, comments and notes by BAL shall be incorporated (at no cost to the Owner) into actual installation when indicated "Reviewed As Follows" or be included in a re-submission (when requested).

### 2 Shop Drawings: submitted in the attached files

Item	Description	Submitted File	Comments
<del>2.1</del>	<del>Rooftop Unit</del>	<del>2423840-Turnbull RTU.pdf</del>	<del>Reviewed per 3.1</del>
<del>2.2</del>	<del>Grilles &amp; Diffusers</del>	<del>18-980 Turnbull Grilles &amp; Diffusers.pdf</del>	<del>Reviewed</del>
2.3	Sink	22. Sink sd.pdf	Reviewed per 3.2

### 3 Additional Notes:

- 3.1 Unit to be high efficiency per specs 18.1
- 3.2 High arch faucet to be submitted to go with the sink

cc: Turnbull RTU & Diffusers.sdr.wpd

S&R Mechanical  
250 Vanguard Drive  
Ottawa  
Ontario K4A 3V6

To:  
Leo Cossette  
S&R Mechanical

Re:  
Turnbull School of Music  
Tal-Co Building Innovations  
1341 Coker Street Suite 2  
Greely, Ontario

Submittal SUB001

Date Issued: Oct 11/18

Reference:

Our Reference:

Job #: 0003325

Package #:

CCN #:

C/O #:

Respond To: Leo Cossette  
Project Manager

We are submitting information on the following:  
SK-1

Prepare For

Description Specification#/Drawing#	Status Submittal Type	Cost Item	Date Sent	Date Req'd
--	--------------------------	-----------	-----------	------------

**S&R MECHANICAL  
SHOP DRAWINGS  
FOR APPROVAL**

Section: \_\_\_\_\_  
Reviewed by: K MacMillan for Leo Cossette  
Date: Oct. 11 2018

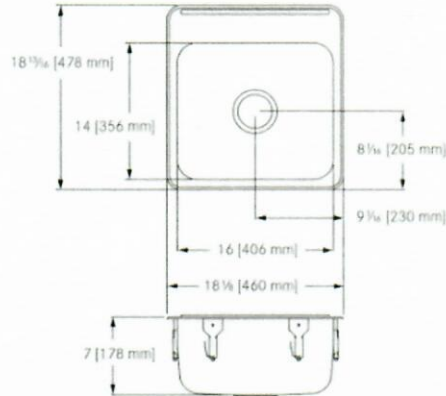
**REVIEWED**

By Farah Bano at 1:42 pm, Oct 11, 2018

**DROP IN SINK: LBS4607-1**

LBS4607-1 | 2000102090

**HIGH ARCH FAUCET TO BE SUBMITTED**



Single compartment self rimming drop-in sink with faucet ledge. 20 gauge (0.9 mm), type 302 (CNS 18/8) stainless steel. Exposed surfaces are #4 satin finished. Undercoated to reduce condensation and resonance. Includes waste fitting, factory applied rim seal, cutout template, and factory installed EZ TORQUE™ fasteners. Certified to ASME A112.19.3-2008 / CSA B45.4-08. Center waste location. Includes 3 1/2" (89 mm) crumb cup strainer with 1 1/2" (DN38) brass tailpiece.

**Model Options:**

- LBS4607-1/1, 1 faucet hole, 1 1/2" diameter
- LBS4607-1/3, 3 faucet holes, 1 1/2" diameter, 4" centers, 8" centerset
- LBS4607-1, Custom (non-returnable)

**TECHNICAL DATA**

type of basin	Single Compartment
bowl depth	7"
Bowl finish	Satin finished
Bowl front to back	14"
Bowl left to right	16"
gross weight	3.67 kg
material	Stainless steel
material code	1.4301 Chrome Nickel steel V2A
material thickness grade	20 gauge (.90 mm)
overall depth (front-back)	18 13/16"
overall width (left-right)	18 1/8"
overflow	no
Faucet ledge	yes
type of waste kit	3 1/2" crumb cup strainer
undercoated	yes
Waste hole position	centre
net weight	2.54 kg

**PROJECT INFORMATION**

Item Location \_\_\_\_\_

Project Number \_\_\_\_\_

Quote Number \_\_\_\_\_

Notes \_\_\_\_\_

Engineer's Approval

**SHOP DRAWING REVIEW**

- REVIEWED
- REVIEWED AS NOTED
- REVISE AND RESUBMIT



Franke Commercial Systems | us-info.ca@franke.com | www.franke-commercial.com | 2018-10-10

This review is for the sole purpose of ascertaining conformance with the general design concept for architectural features only, and does not in any way constitute review of the design of engineering elements which form part of the Contract Documents prepared by others. This review shall not mean that the Architect approves the detail design inherent in the shop drawings. This responsibility shall remain with the Contractor submitting same, and such review shall not relieve the Contractor of his responsibility for errors or omissions in the shop drawings or of his responsibility for meeting all requirements of the Contract Documents. The Contractor is responsible for dimensions to be confirmed and correlated at the job site, for information that pertains solely to fabrication processes, or to techniques of construction and installation and for co-ordination for the work of all trades."