

FINISH:
 SAESARSTONE (BY OTHERS)

All site dimensions to be verified prior to manufacturing.



2610 RIDEAU RD
 OTTAWA ON
 K1X 1A1
 T: 613.822.3376
 E: MAIL@LTRINDUSTRIES.COM

DATE: 09/06/18

DRAWN BY: AL MOTAMED

REVISION #: DATE:

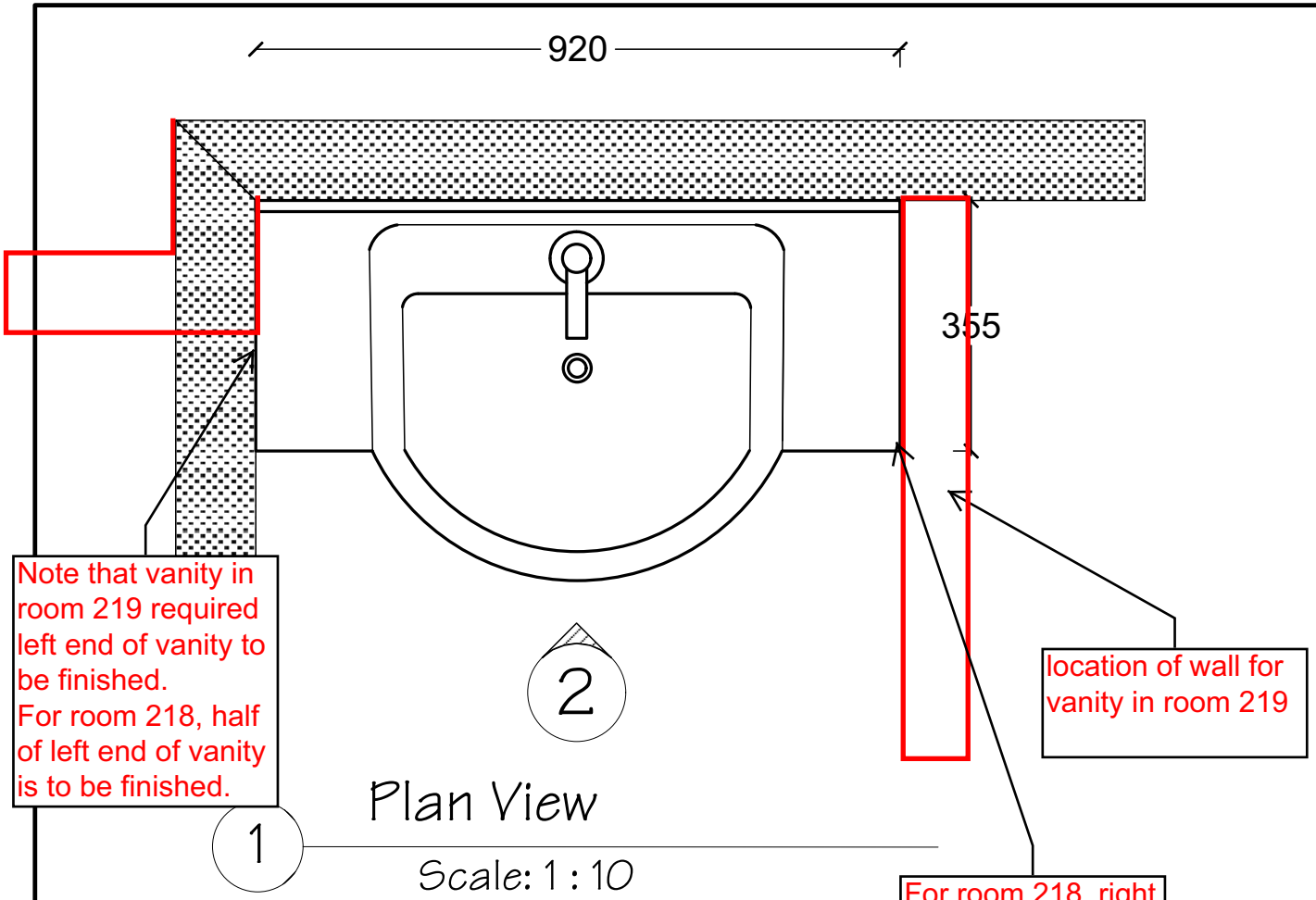
JOB#: 2623

JOB NAME: DOVER COURT REC. CTR,

WO#: 101

WO NAME:

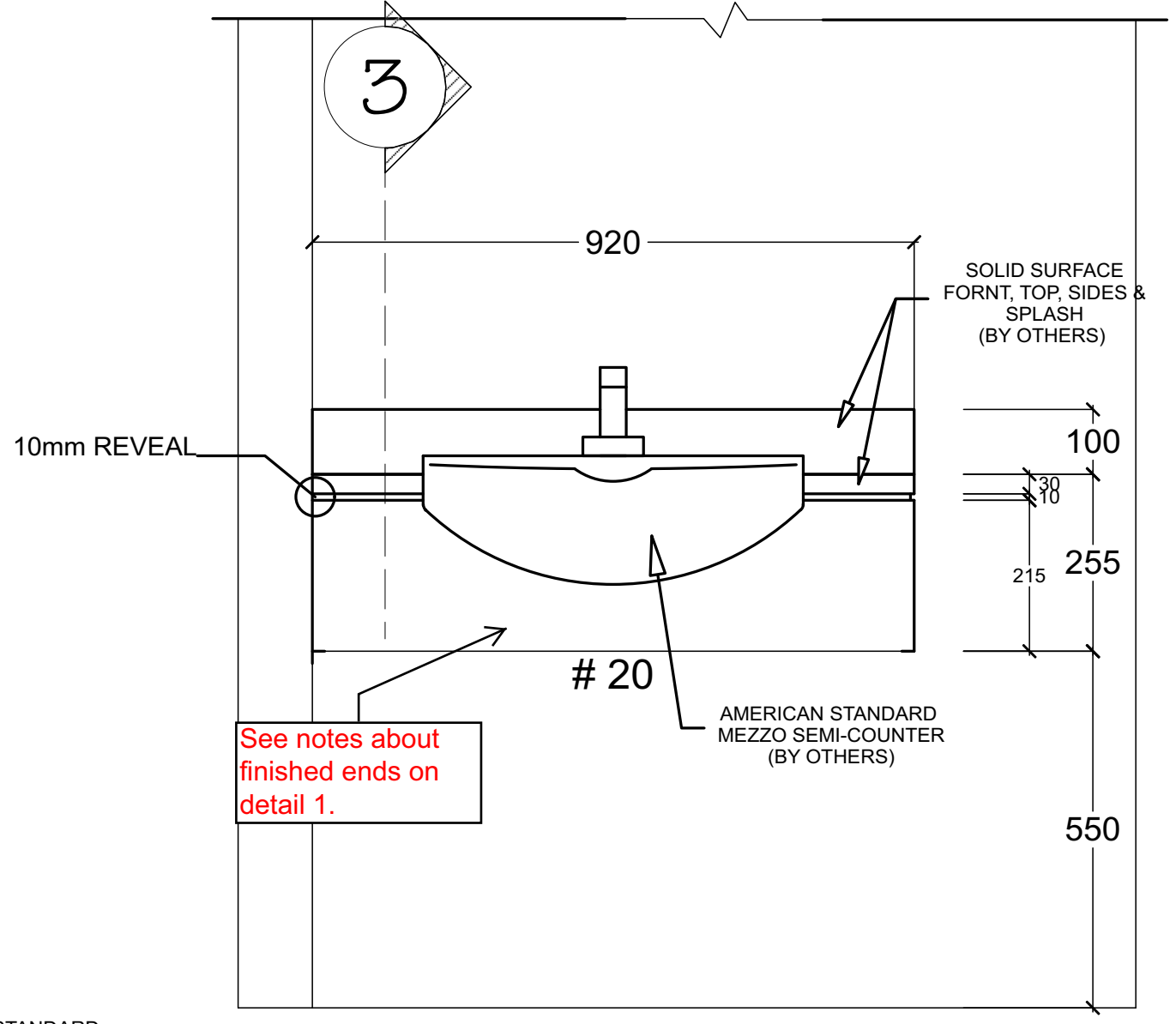
Drawing Name



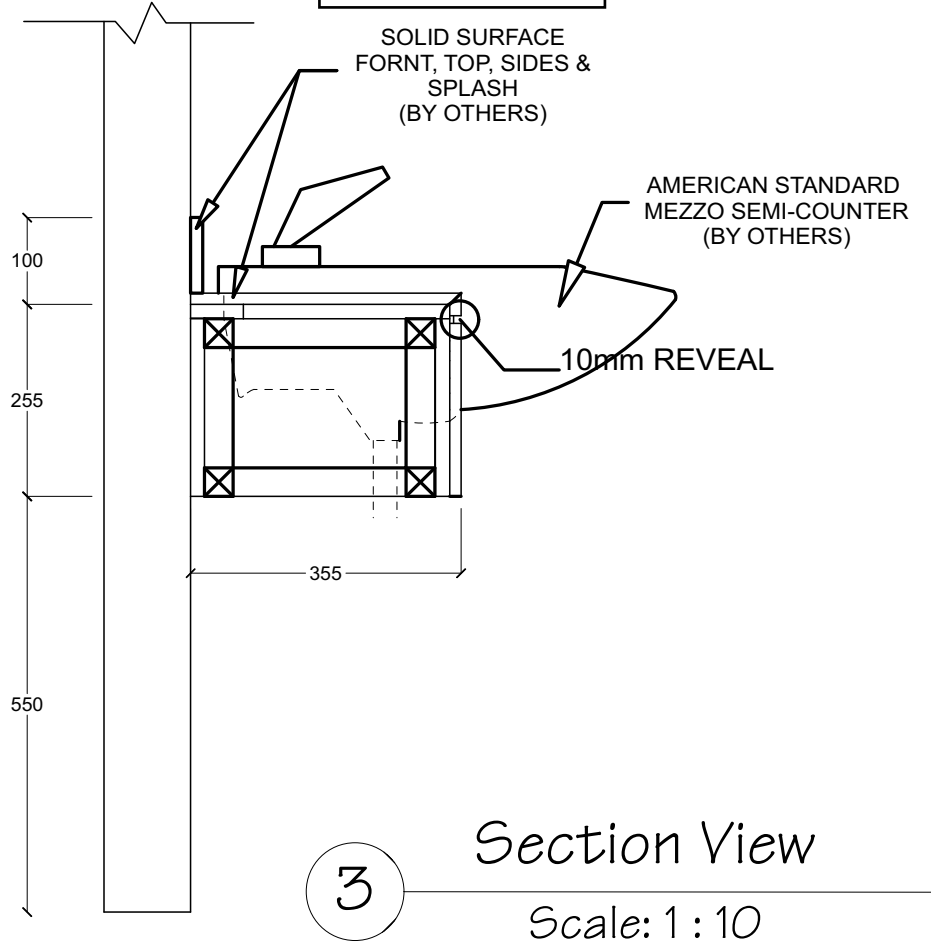
Note that vanity in room 219 required left end of vanity to be finished.
 For room 218, half of left end of vanity is to be finished.

location of wall for vanity in room 219

For room 218, right end of vanity to be finished.



See notes about finished ends on detail 1.



SHOP DRAWING REVIEW

REVIEWED

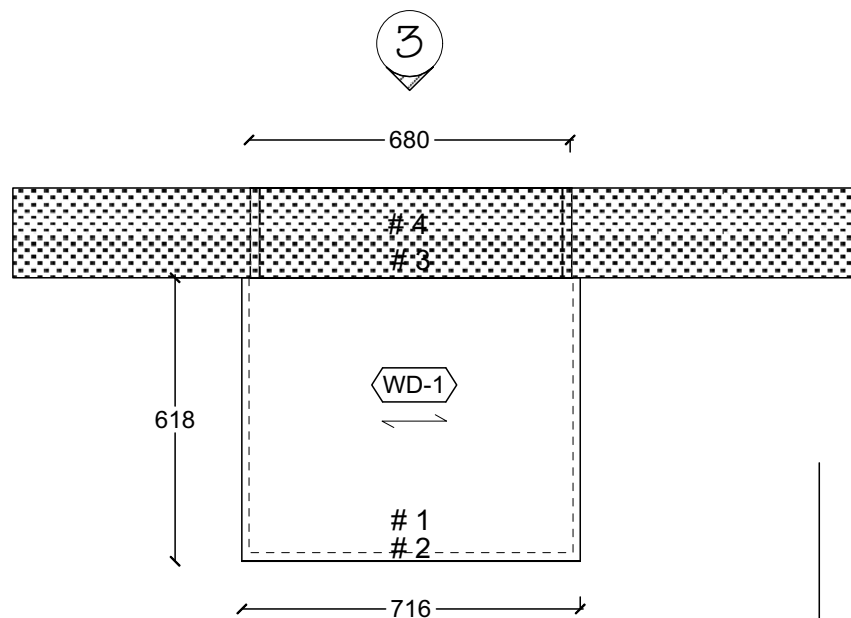
REVIEWED AS NOTED

REVISE AND RESUBMIT

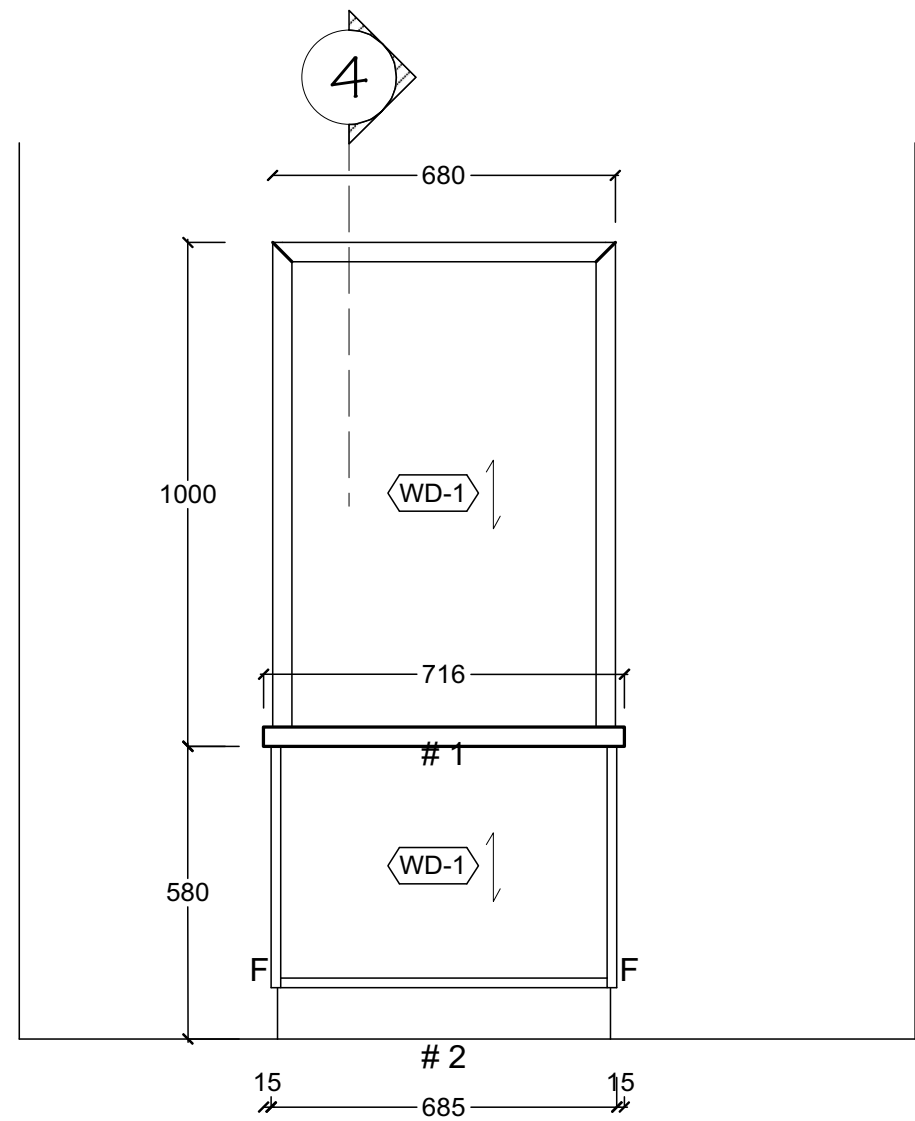


"This review is for the sole purpose of ascertaining conformance with the general design concept for architectural features only, and does not in any way constitute review of the design of engineering elements which form part of the Contract Documents prepared by others. This review shall not mean that the Architect approves the detail design inherent in the shop drawings. This responsibility shall remain with the Contractor submitting same, and such review shall not relieve the Contractor of his responsibility for errors or omissions in the shop drawings or of his responsibility for meeting all requirements of the Contract Documents. The Contractor is responsible for dimensions to be confirmed and correlated at the job site, for information that pertains solely to fabrication processes, or to techniques of construction and installation and for co-ordination for the work of all trades."

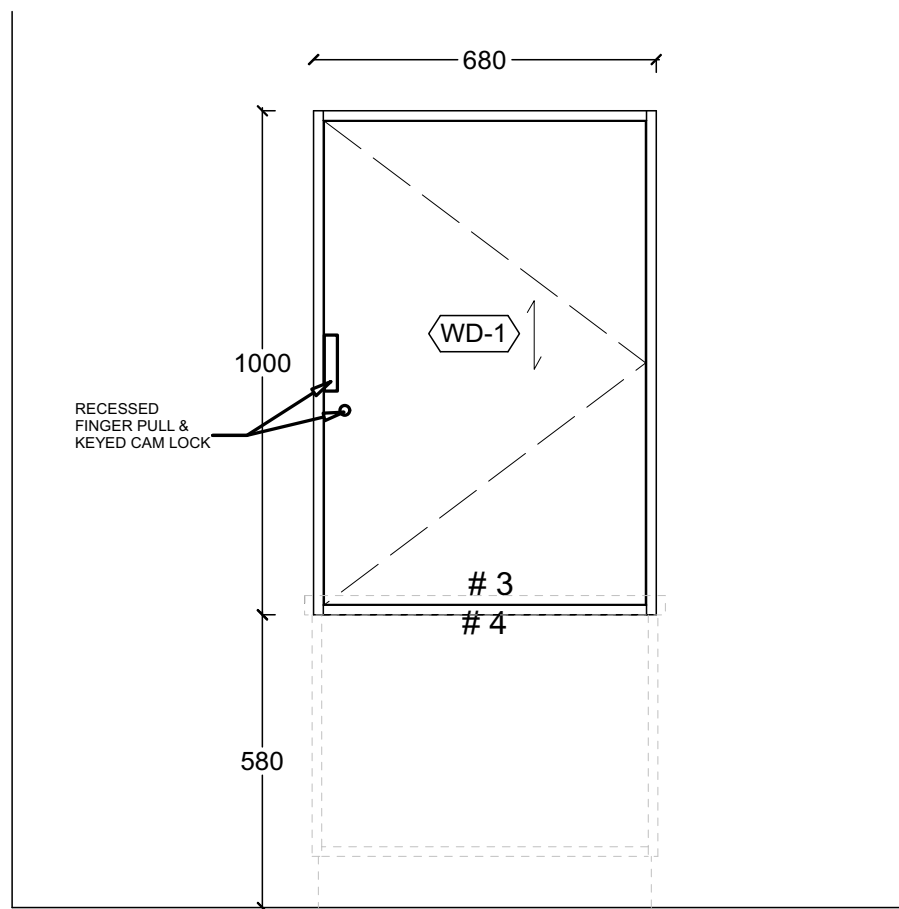
By: Doug van den Ham Date: Sept 18, 2018
 HOBIN ARCHITECTURE INCORPORATED



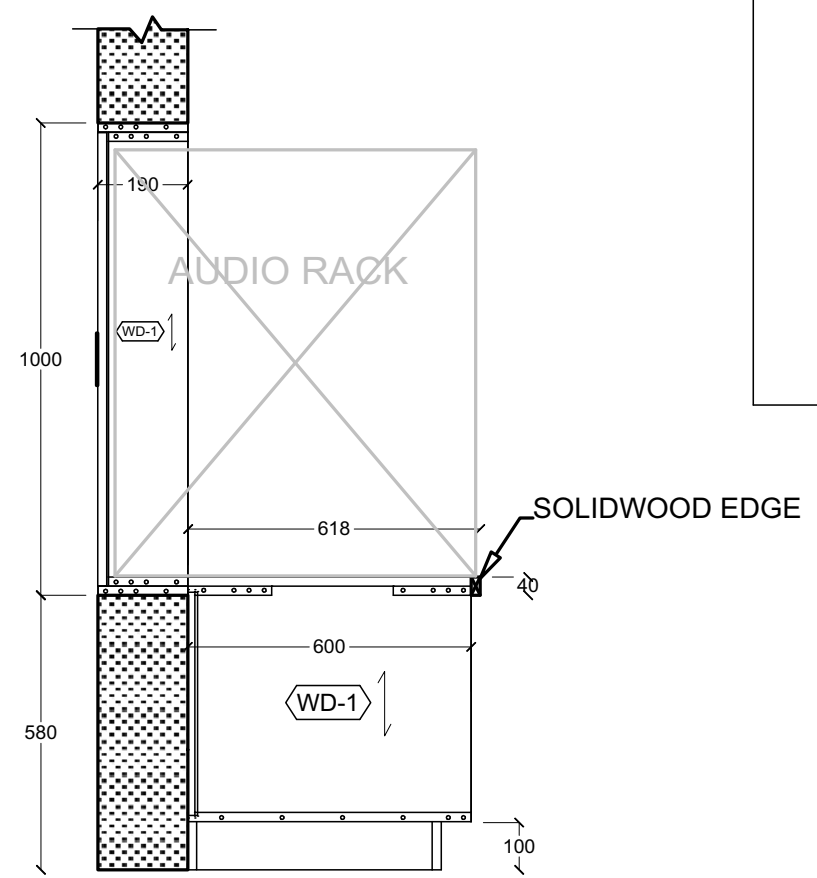
1 Counter Top Plan
Scale: 3/4" = 1'



2 Elevation
Scale: 1:15



3 Elevation
Scale: 1:15



4 Section View
Scale: 3/4" = 1'

- SHOP DRAWING REVIEW**
- REVIEWED
 - REVIEWED AS NOTED
 - REVISE AND RESUBMIT



"This review is for the sole purpose of ascertaining conformance with the general design concept for architectural features only, and does not in any way constitute review of the design of engineering elements which form part of the Contract Documents prepared by others. This review shall not mean that the Architect approves the detail design inherent in the shop drawings. This responsibility shall remain with the Contractor submitting same, and such review shall not relieve the Contractor of his responsibility for errors or omissions in the shop drawings or of his responsibility for meeting all requirements of the Contract Documents. The Contractor is responsible for dimensions to be confirmed and correlated at the job site, for information that pertains solely to fabrication processes, or to techniques of construction and installation and for co-ordination for the work of all trades."

By: Doug van den Ham Date: Sept 18, 2018
HOBIN ARCHITECTURE INCORPORATED

SITE MEASURING REQUIRED

FINISH:
WD-1: MAPLE VNEER

All site dimensions to be verified prior to manufacturing.



2610 RIDEAU RD
OTTAWA ON
K1X 1A1
T: 613.822.3376
E: MAIL@LTRINDUSTRIES.COM

DATE: 09/06/18

DRAWN BY: AL MOTAMED

REVISION #: DATE:

JOB#:

2623

JOB NAME:

DOVER COURT
REC. CTR,

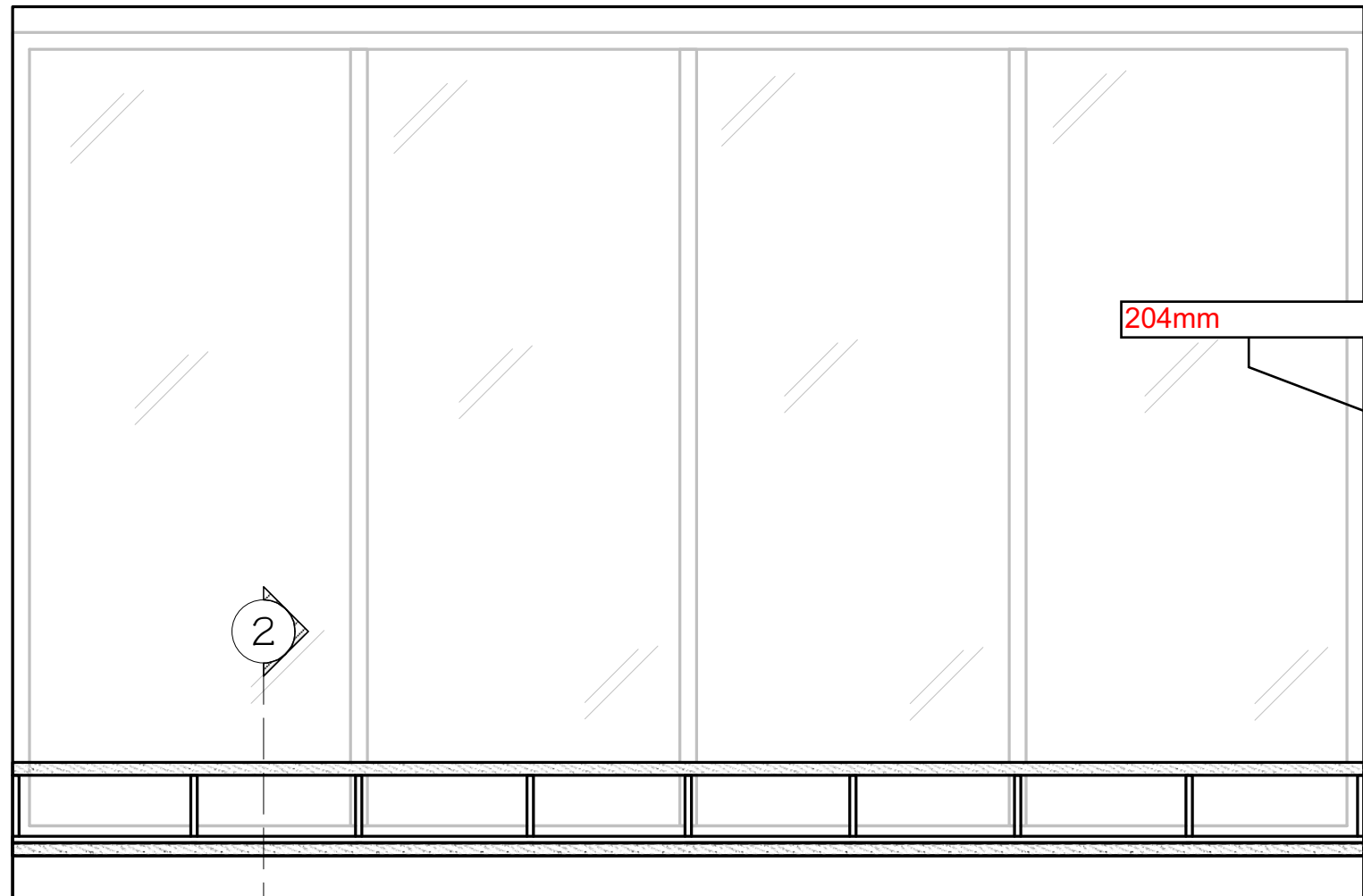
WO#:

102

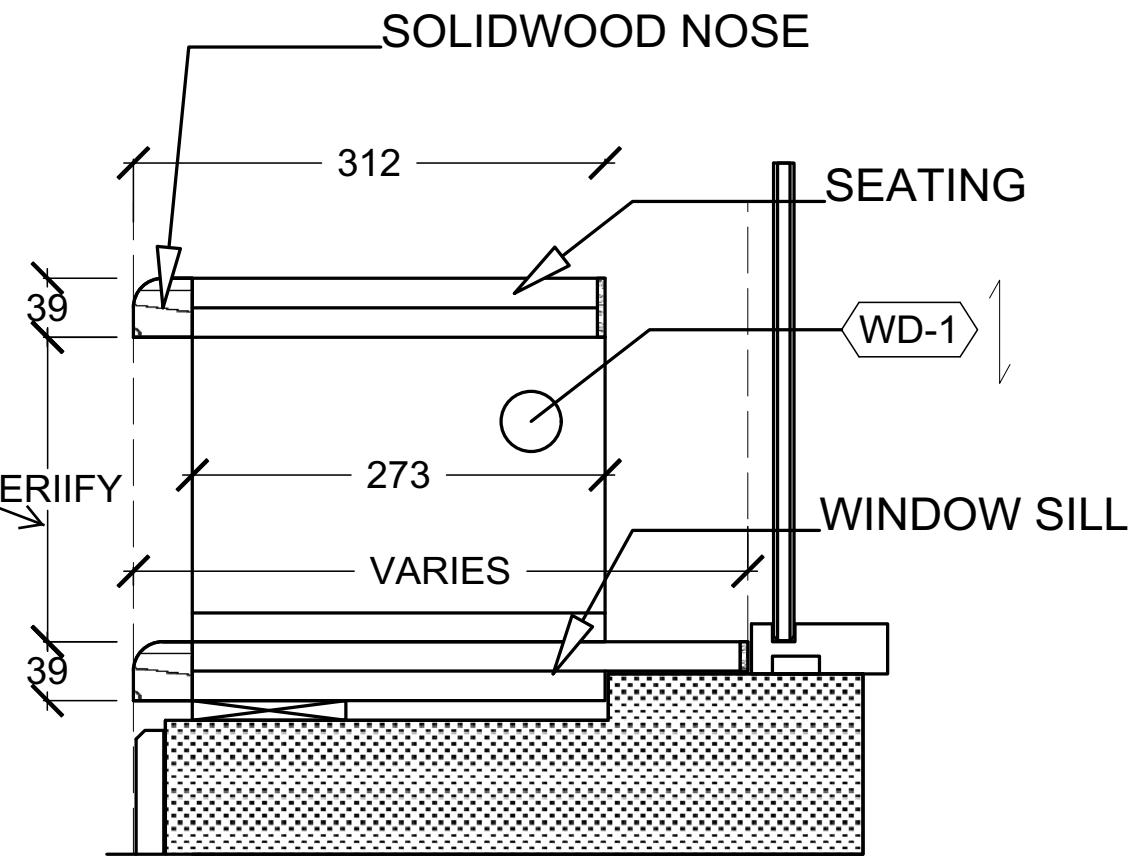
WO NAME:

Drawing Name

102/ AUDIO CABINET



① Elevation
Scale: 1 : 20



② Section View
Scale: 1 : 5

SITE MEASURING REQUIRED

SHOP DRAWING REVIEW

- REVIEWED
- REVIEWED AS NOTED
- REVISE AND RESUBMIT



This review is for the sole purpose of ascertaining conformance with the general design concept for architectural features only, and does not in any way constitute review of the design of engineering elements which form part of the Contract Documents prepared by others. This review shall not mean that the Architect approves the detail design inherent in the shop drawings. This responsibility shall remain with the Contractor submitting same, and such review shall not relieve the Contractor of his responsibility for errors or omissions in the shop drawings or of his responsibility for meeting all requirements of the Contract Documents. The Contractor is responsible for dimensions to be confirmed and correlated at the job site, for information that pertains solely to fabrication processes, or to techniques of construction and installation and for co-ordination for the work of all trades.

By: Doug van den Ham Date: Sept 18, 2018
HOBIN ARCHITECTURE INCORPORATED

FINISH:
MAPLE VNEER

All site dimensions to be verified prior to manufacturing.



2610 RIDEAU RD
OTTAWA ON
K1X 1A1
T: 613.822.3376
E: MAIL@LTRINDUSTRIES.COM

DATE: 09/06/18

DRAWN BY: AL MOTAMED

REVISION #: DATE:

JOB#: 2623

JOB NAME: DOVER COURT REC. CTR,

WO#: 103

WO NAME:
Drawing Name