



2150 RICHARDSON SIDE ROAD
 CARP, ONTARIO, CANADA, K0A 1L0
 (613) 831-1736 FAX (613) 831-2048

Customer: David Farrel
Job Number: 18-500
Job Name: 18-500
Job Location: 1132 Fisher Ave
 Turnbull School

Structure: CB 101
Specification: 600x600 Catch Basin

Take Off By: 7/30/2018 Carlo

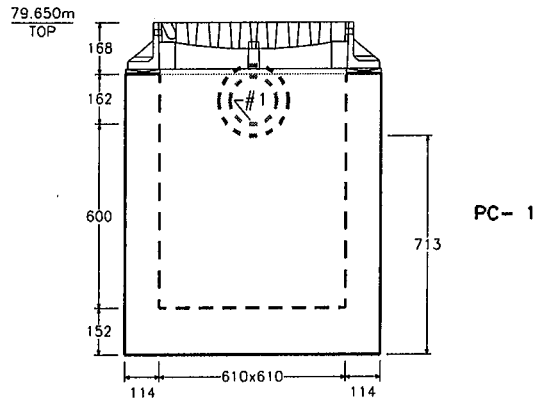
Based on:

Design Build Height		Stack Build Height	
Top of Casting	+ 79.650m	Frame	+ 0.152m
Outlet Invert	- 79.320m	Adjustment	+ 0.016m
Sump	+ 0.600m	Base Inside	+ 0.762m
Design Height	= 0.930m	Design Height	= 0.930m
		Floor Thickness	+ 0.152m
		Outside Height	= 1.082m

Engineer:	IBI Group
Owner:	
Frame:	400.020 CB F&G Flat
Grate:	400.020 CB F&G Flat
Bench:	No Bench
Steps:	
Notes: ISSUED FOR REVIEW AND APPROVAL - 24 SEPT 18	

IBI RM 2018-09-28:
 Typo on drawing, drop invert
 to 78.32. Tie-in at nearest
 manhole is 78.29, 3m @
 1.0% slope between

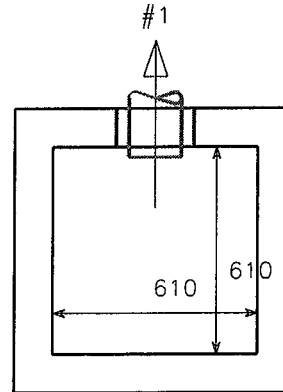
Elevation (View A-A)



Openings

ID	Invert (m)	Pipe	Hole (mm)	Connector	Angle
#1	79.320	150mm PVC Sdr 35	230mm Ø	Mortar	0°

Plan View



REVIEWED

By Ryan Magladry, C.E.T. at 2:37 pm, Sep 28, 2018



REVIEWED

By Farah Bano at 3:33 pm, Sep 27, 2018

BOM For Stack

Qty	ID	Description	Weight
1	Frame	400.020 CB F&G Flat	
1	PC- 1	600x600x114w X 0.914m CB Base (NO STEPS)	952
Total Precast (kgs)			952



2150 RICHARDSON SIDE ROAD
 CARP, ONTARIO, CANADA, K0A 1L0
 (613) 831-1736 FAX (613) 831-2048

Customer: David Farrel
Job Number: 18-500
Job Name: 18-500
Job Location: 1132 Fisher Ave
 Turnbull School

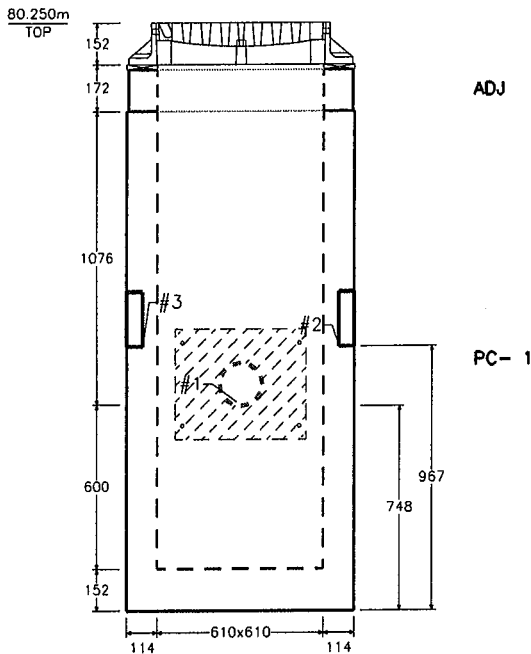
Structure: CB 100
Specification: 600x600 Catch Basin

Take Off By: 7/30/2018 Carlo

Based on:

Design Build Height		Stack Build Height		Engineer: IBI Group
Top of Casting	+ 80.250m	Frame	+ 0.152m	Owner:
Outlet Invert	- 78.850m	Adjustment	+ 0.172m	Frame: 400.020 CB F&G Flat
Sump	+ 0.600m	Base Inside	+ 1.676m	Grate: 400.020 CB F&G Flat
Design Height	= 2.000m	Design Height	= 2.000m	Bench: No Bench
		Floor Thickness	+ 0.152m	Steps:
		Outside Height	= 2.152m	ALERT: **INSTALL IPEX BACKPLATE**
				Notes:

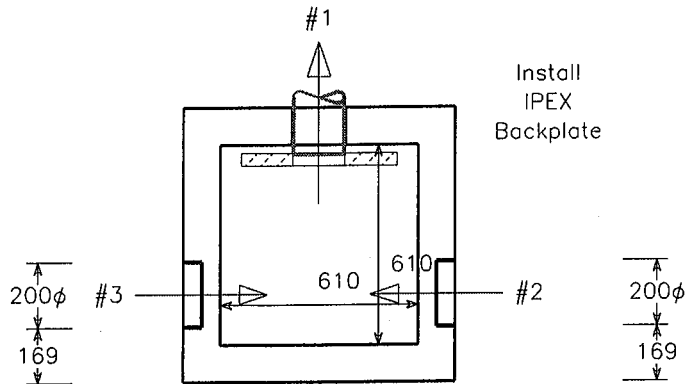
Elevation (View A-A)



Openings

ID	Invert (m)	Pipe	Hole (mm)	Connector	Angle
#1	78.850	150mm PVC Sdr 35	160mm Ø	Duraseal 812306	0°
#2	79.064	100/150 Subdrain KO	200mm Ø		90°
#3	79.064	100/150 Subdrain KO	200mm Ø		270°

Plan View



APPROVED

By Ryan Magladry, C.E.T. at 2:37 pm, Sep 28, 2018

REVIEWED

By Farah Bano at 3:33 pm, Sep 27, 2018

BOM For Stack

Qty	ID	Description	Weight
1	Frame	400.020 CB F&G Flat	
1	Connector	150 PVC Gasket - FT III (Cast-in) (150mm PVC)	
1	ADJ	600x600 Adjuster 152H (NO STEPS)	154
1	PC- 1	600x600x114w X 1.829m CB Base (NO STEPS)	1,709
Total Precast (kgs)			1,863