

# **BEKOLAY & Associates. Ltd.**

*Consulting Engineers*

## **Shop Drawing Review Comments**

Consultant:	<b>Barry J. Hobin &amp; Associates Architects</b> 63 Pamilla St. Ottawa On. K1S 3K7	Project:	<b>Dovercourt Phase 2</b> 411 Dovercourt Ave
Contractor:	Tal-Co	BAL No.:	<b>2017-09</b>
Attn:	<b>Doug van den Ham</b> <b>Sandy Davis</b>	Date:	2018-08-14

## **Mech Shop Drawing Review Comments**

### **1. General:**

The documents in the list have been examined for general conformance with the Contract Documents prepared by Bekolay & Associates Ltd. (BAL) for this project. This review may not be extended to any other contract, trade, division or project. Review by BAL does not imply approval or verification of information presented in these drawings and the responsibility for installation and performance lies solely with the Contractor submitting the documents including dimensional conformance and co-ordination with other trades. All changes, comments and notes by BAL shall be incorporated (at no cost to the Owner) into actual installation when indicated "Reviewed As Follows" or be included in a re-submission (when requested).

### **2. Shop Drawings:** submitted in the attached files

Item	Description	Submitted File	Comments
2.1	Mezzo Sink & trim	1.0 - Dovercourt - Plumbing Shops - For Review - Aug 09 2018.pdf	Reviewed
2.2	Water Closet WC-1	1.0 - Dovercourt - Plumbing Shops - For Review - Aug 09 2018.pdf	Reviewed
2.3	Flush Valve	1.0 - Dovercourt - Plumbing Shops - For Review - Aug 09 2018.pdf	Reviewed, See 3.1
2.4	WC Closet Carrier	1.0 - Dovercourt - Plumbing Shops - For Review - Aug 09 2018.pdf	Reviewed
2.5	Floor Drain FD-1	1.0 - Dovercourt - Plumbing Shops - For Review - Aug 09 2018.pdf	Reviewed
2.6	Roof Drain RD-1	1.0 - Dovercourt - Plumbing Shops - For Review - Aug 09 2018.pdf	Reviewed, See 3.2
2.7	Hot water tank-Giant	1.0 - Dovercourt - Plumbing Shops - For Review - Aug 09 2018.pdf	Reviewed

### **3. Additional Notes:**

- 3.1. We will be issuing a change order to use battery powered flush valves.
- 3.2. Drawings indicate roof drain to be 2", shop drawing indicates 4"

**Job Name/ #**

4100

**Address**

Dovercourt

**Date**

08/09/2018

**Attention**

Andrew King

**Notes:**

Project Name



REVIEWED

REJECTED

REVISE

NOT APPROVED

BY wstraszak

DATE 8/9/2018

SUBMITTAL# 1

SPEC

*American Standard*

## MEZZO™ SEMI-COUNTERTOP SINK

FIRECLAY

 **BARRIER FREE**

### MEZZO SEMI - COUNTERTOP SINK

- Space saving design installs on a minimum countertop depth of 13"
- Fireclay china
- Rear overflow
- Recessed self-draining deck
- Barrier-free design
- Self rimming with sealant
- Cutout template and mounting kit provided (Faucet shown not included)

- 9960.803**  
faucet holes on 203mm (8") centers (Illustrated)
- 9960.403**  
faucet holes on 102mm (4") centers
- 9960.001**  
center hole only

Nominal Dimensions:  
22" (559mm) wide, 21-1/2" (546mm) deep

#### Bowl sizes:

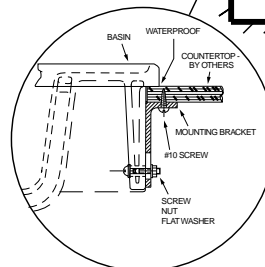
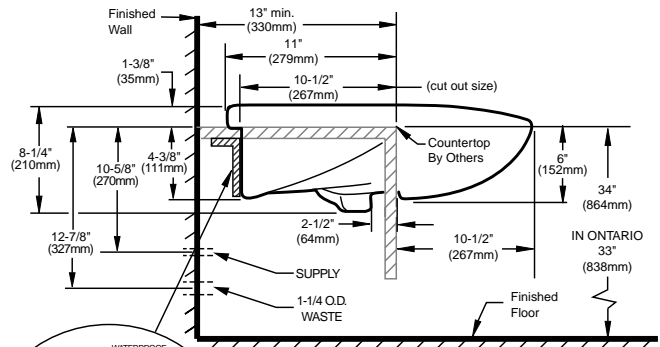
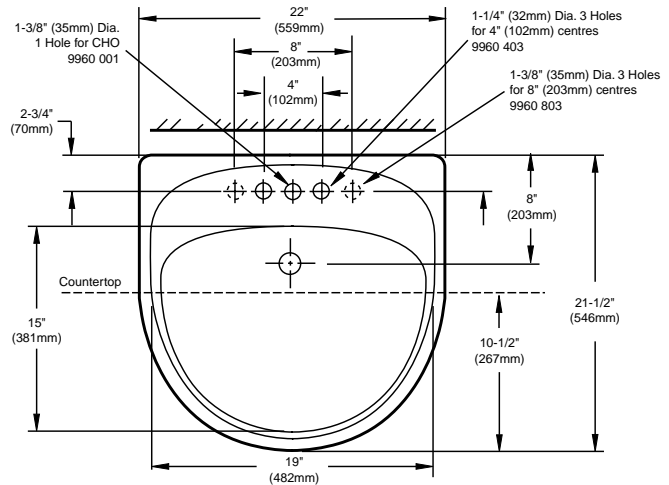
19" (482mm) wide, 15" (381mm) front to back,  
6-7/8" (175mm) deep

Fixture Dimensions conform to ANSI Standard  
A112.19.9M

#### Compliance Certifications -

#### Meets or Exceeds the Following Specifications:

- ASME A112.19.9M for Non-Vitreous China Fixtures
- CAN/CSA B45 series
- A1995 National Building Code, section 3.7 and CAN/CSA-B651-02 and OBC 3.8



#### To Be Specified

- Color: White
- Faucet\*:
- Faucet Finish:
- Supplies & Stops:
- Trap 1-1/4" (32 mm):

\* See faucet section for additional models available

 Top of front rim mounted 864mm (34") from finished floor.  
**MEETS THE AMERICAN DISABILITIES ACT GUIDELINES AND ANSI A117.1 ACCESSIBLE AND USEABLE BUILDINGS AND FACILITIES - CHECK LOCAL CODES.**

**NOTES:**  
DIMENSIONS SHOWN FOR LOCATION OF SUPPLIES AND "P" TRAP ARE SUGGESTED.  
FOR COUNTERTOP CUTOUT AND INSTALLATION INSTRUCTIONS USE TEMPLATE SUPPLIED WITH SINK.  
These measurements are subject to change or cancellation. No responsibility is assumed for use of superseded or voided pages.

LAV-000

SPS 9960

© 2002 American Standard Inc.



**HDF<sup>®</sup>**  
**COMMERCIAL**

**L-1**

**DEMD Series**  
**Electronic Lavatory Faucets (Infrared)**

**SPECIFICATION: (example)**

- Deck mount electronic lavatory faucet
- Sensor detects user's hand to activate water flow
- One 9V lithium battery inside spout (included)
- Above deck battery and electronics
- Red light indicator blinks when battery is low
- Vandal resistant (wrench flat)
- 0.5 gpm (1.9 L/min) spray outlet

**DEMD-111 SERIES**

- Electronic faucet with mixer to adjust temperature

**DEMD-111LF (Chrome)**

**DEMD-111LF-NS (Nickel Stainless)**

**OPERATION**

**Sensing Range:**

- Factory set to 8.0" ± 1.5" (200 mm ± 40 mm)
- Adjustable from 3.15" to 11.8" (80 mm to 300 mm) with optional remote control

**Maximum Run Time:**

- 90 seconds, adjustable with remote control

**OPTIONAL ACCESSORIES (Order Separately)**

**060967A**

- Remote Control – allows adjustment of sensor range, maximum run time, delayed close time, temporary shut-off for cleaning and factory settings reset

**063256A (Chrome Only)**

- 0.35 gpm (1.32 L/min) spray outlet

**060961A (Chrome)**

**060961ANS (Nickel Stainless)**

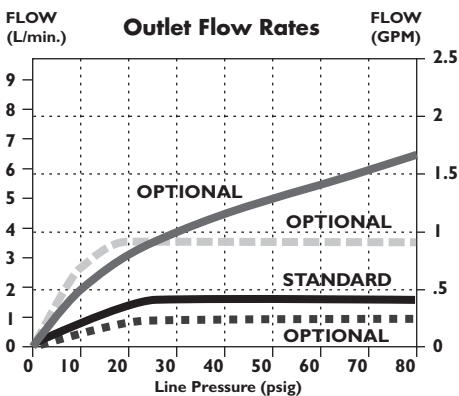
- 1.0 gpm (3.8 L/min) aerator

**061118A (Chrome)**

**061118ANS (Nickel Stainless)**

- 1.5 gpm (5.7 L/min) Careguard<sup>®</sup> laminar outlet

**FLOW RATE vs PRESSURE**



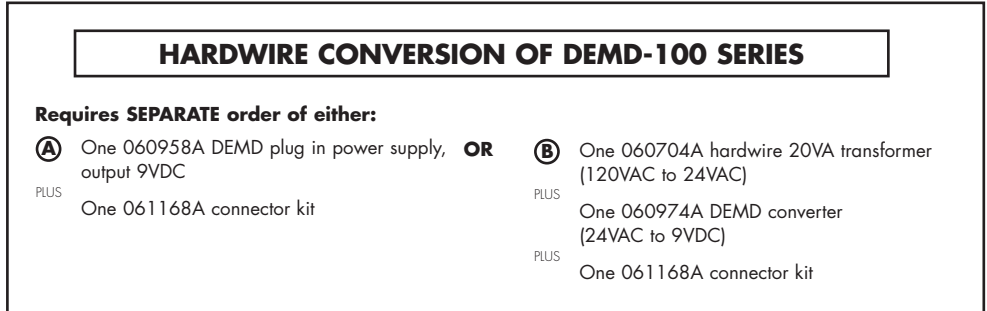
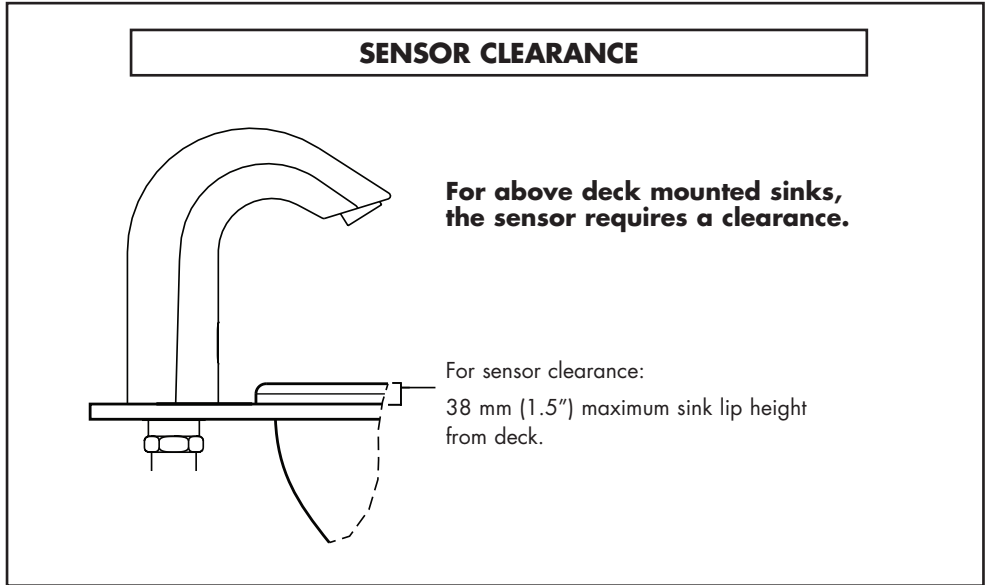
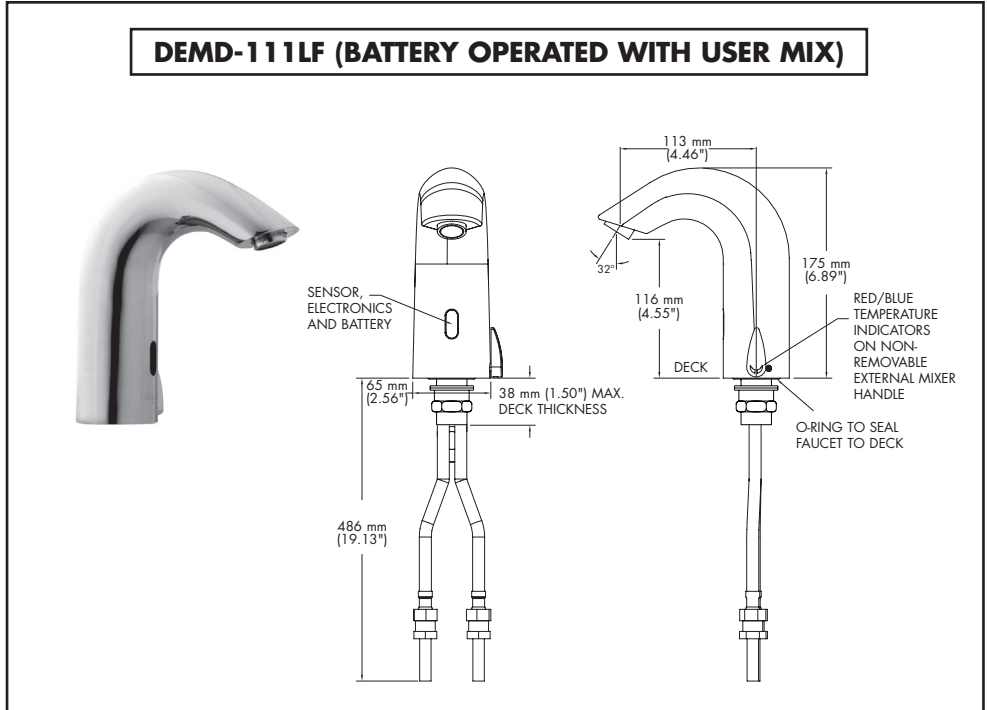
**Approvals:**



- IAPMO certified
- Complies to ASME A112.18.1/CSA B125.1
- Indicates compliance to ICC/ANSI A117.1
- Verified compliant with 0.25% weighted average Pb content regulations

(Contact Delta Representative for State and/or Local Approvals.)

Refer to [www.specselect.com](http://www.specselect.com) for individual models.  
Note: Use this page as a product submittal sheet.



Note: Measurements may vary ± 6mm (0.25")

Delta reserves the right (1) to make changes in specifications and materials, and (2) to change or discontinue models, both without notice or obligation. Dimensions are for reference only. See current full-line price book or [www.specselect.com](http://www.specselect.com) for finish options and product availability.



L-1



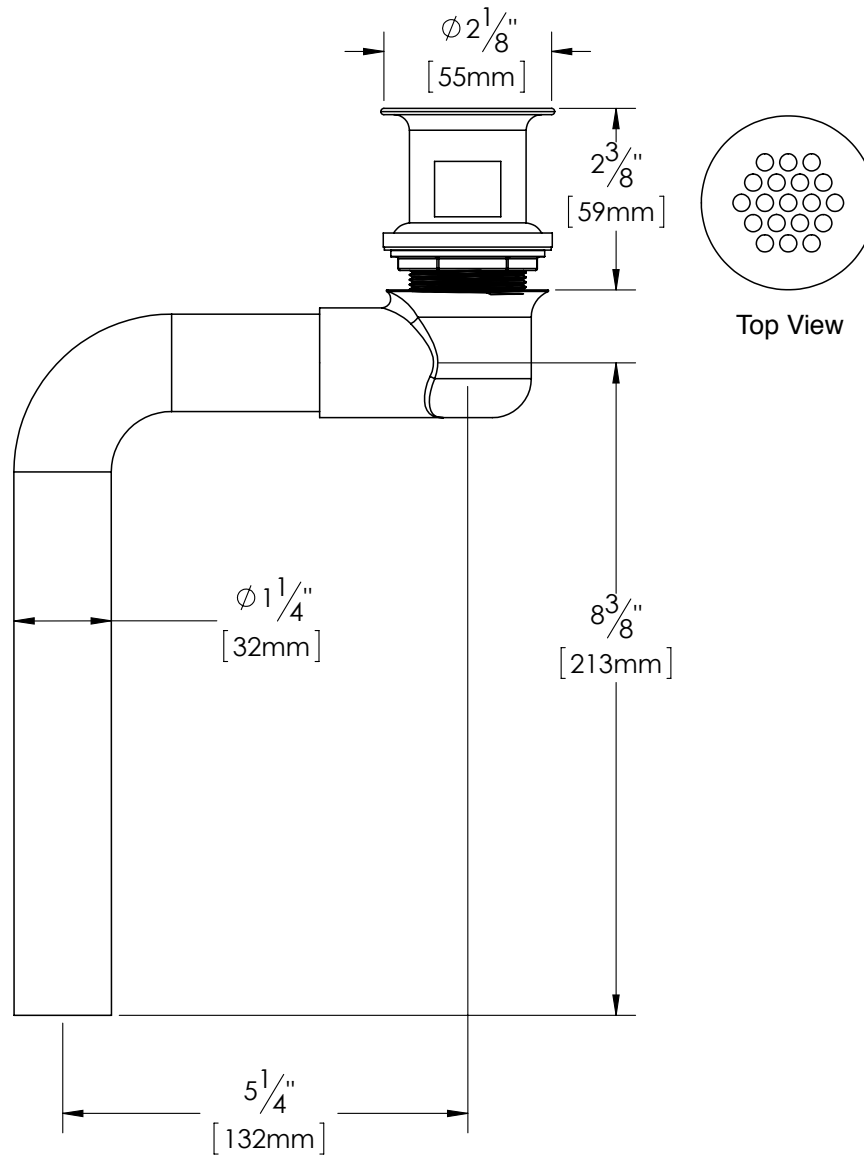
# 3700WC

P.O PLUG - OFFSET OPEN GRID

## Description:

OFFSET LAVATORY DRAIN P.O. SHALL BE SUPPLIED WITH 19 HOLE GRID PATTERN, CHROME FINISH, CAST BRASS, 17 GAUGE 1-1/4" X 8-3/8" BRASS TAIL-PIECE, LOCKNUT, HEAVY RUBBER GASKET, CERTIFIED BY CSA

Certification



**Oakville Stamping and Bending Ltd.**

2200 Speers Road. Oakville, ON. Canada. L6L 2X8.

T. 905.827.0320 or toll free 1.877.314.6040 F. 905.827.6375 or toll free 1.877.827.6040.

All rights reserved. OS&B™ reserves the right to change product specifications and material or discontinue models without notice.

Contractor: Optimum Mech Solutions Inc.

[www.osb.ca](http://www.osb.ca)

Job: Dovercourt 2017 Phase 2



L-1

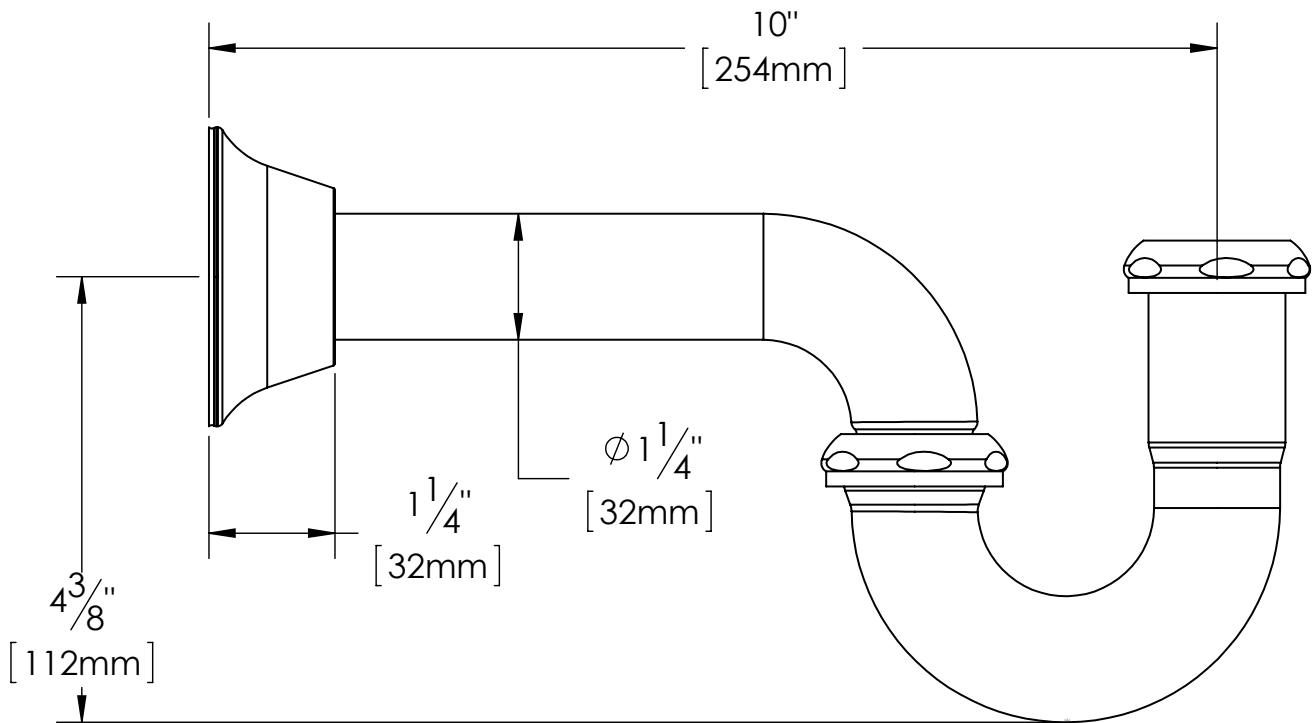
# 110BDP

1-1/4" 20GA P-TRAP, LESS CLEANOUT

## Description:

P-TRAP SHALL BE 1-1/4" GROUND JOINT, 20 GAUGE TUBULAR BRASS, 7" BRASS WALLBEND, CHROME FINISH, BRASS NUTS, DEEP BELL FLANGE, LESS CLEANOUT, CERTIFIED BY CSA

Certification



**Oakville Stamping and Bending Ltd.**

2200 Speers Road, Oakville, ON, Canada. L6L 2X8.

T. 905.827.0320 or toll free 1.877.314.6040 F. 905.827.6375 or toll free 1.877.827.6040.

All rights reserved. OS&B™ reserves the right to change product specifications and material or discontinue models without notice.

Contractor: Optimum Mech Solutions Inc.

[www.osb.ca](http://www.osb.ca)

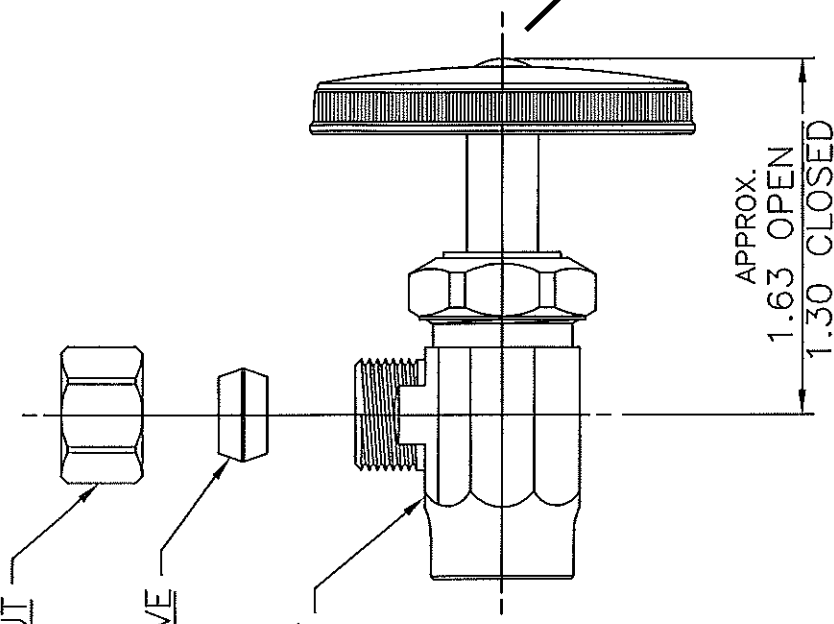
Job: Dovercourt 2017 Phase 2

LET.	DATE	PER	BY	CHANGE
A	5/16/97	MKK	JPS	RELEASE
B	9/25/02	JPS	KAK	ADDED CHART


61-6 COMP. NUT

60-6 COMP. SLEEVE

R19 VALVE ASSY



ITEM I.D. (B)	
CHROME	ROUGH
R19 C	R19 R

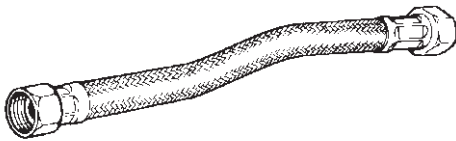
 <p><b>BrassCraft</b> A Masco Company NOVI, MICHIGAN</p>		DESCRIPTION 1/2 NOM. SWEAT x 3/8 O.D. COMP. VALVE ASSEMBLY (SUBMITTAL)	DRAWING NO. VPA0539B
CLASS ALL GDT PER ANSI STD Y14.5M CLASSIFICATION OF QUALITY LEVELS	SYMBOL ◇ △ ○	DRAWN SCHUTTE	MATERIAL R19
KPC (KEY PRODUCT CHARACTERISTICS) STPC (STANDARD PRODUCT CHARACTERISTICS)	PRODUCT MARKINGS	DATE: 5/16/97	ITEM ID R19 C
CHK'D. JPS	DATE: 11/01/2002	APP'D.	SEE CHART
NOTE: UNLESS OTHERWISE SPECIFIED TWO PLACE DECIMALS +/- .010 THREE PLACE DECIMALS +/- .005 ANGULARITY +/- 1°	UNITS A	SCALE: (UNLESS NOTED)	REV. B

This drawing and all data contained herein is the confidential and exclusive property of BrassCraft Manufacturing, and shall not be disclosed to others without the written consent of BrassCraft. This drawing must be returned to BrassCraft if requested.

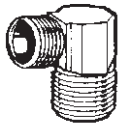


**DISHWASHER - 3/8" COMP x 3/8" COMP**

**ABBREVIATIONS**  
**IPS** IRON PIPE STANDARD  
**Comp** COMPRESSION



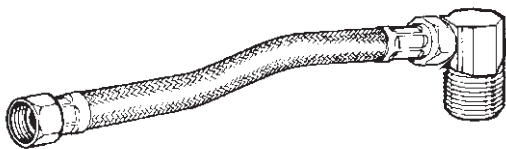
OS&B CODE	LENGTH	CSA	BARCODE 7 75439-	CTN. QTY.
70512 ✓	12"	CSA	07024 4	100
70520	20"	CSA	07025 1	50
70548	48"	CSA	07021 3	50
70560	60"	CSA	07022 0	25
70572	72"	CSA	07023 7	25



▶ Dishwasher Elbow

70500	BRASS 90°	CSA	07020 6	1
-------	-----------	-----	---------	---

**DISHWASHER - 3/8" x 3/8" W/70500 BRASS 90°**

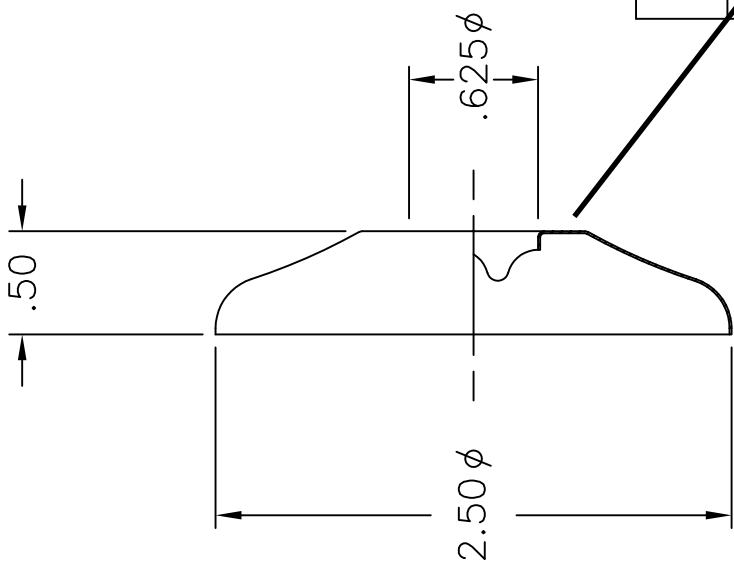


▶ Includes 70500 Brass 90°

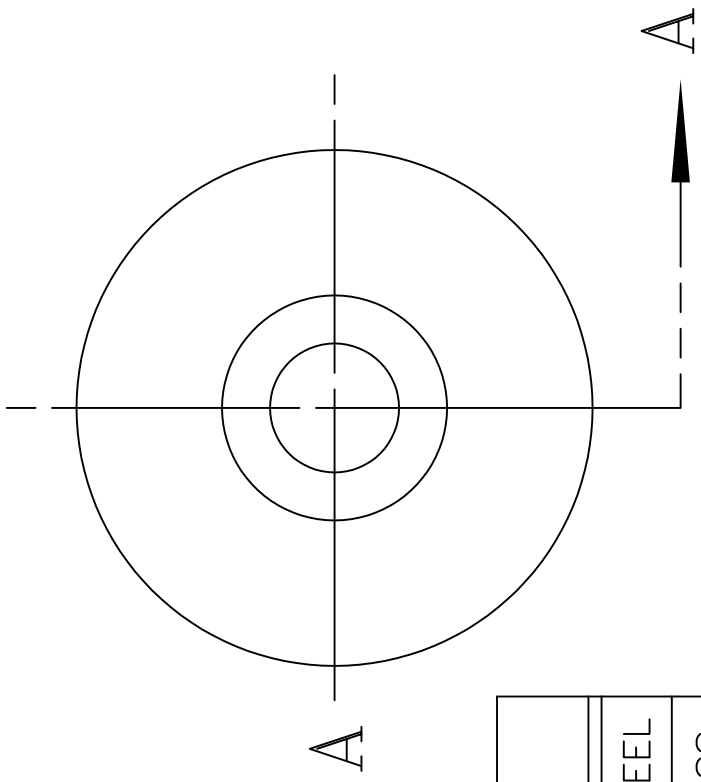
70548-500	48"	CSA	07568 3	25
70560-500	60"	CSA	07569 0	25
70572-500	72"	CSA	07570 6	25



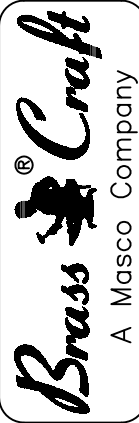

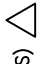
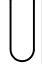
LET.	DATE	PER	BY	CHANGE
A	8/29/03	WFT	MJP	RELEASE



SECTION A-A



ITEM ID	FINISH
649	STAINLESS STEEL
649 A	ANTIQUÉ BRASS
649 BRL	BRILLANCE

		<b>DESCRIPTION</b> 1/2 NOM (5/8 OD) SHALLOW FLANGE (SUBMITTAL)	<b>DRAWING NO.</b> MPG0139A
<b>ALL GDT PER ANSI STD Y14.5M CLASSIFICATION OF QUALITY LEVELS</b> CLASS SYMBOL	<b>DATE:</b> PERNAK 08/29/2003 CHK'D. Klimkie 08/29/2003 APP'D.	<b>MATERIAL</b> VOLUME	<b>ITEM DESCRIPTION</b> 649
KPC (KEY PRODUCT CHARACTERISTICS)  STPC (STANDARD PRODUCT CHARACTERISTICS)  PRODUCT MARKINGS 	NOTE: UNLESS OTHERWISE SPECIFIED TWO PLACE DECIMALS +/- .010 THREE PLACE DECIMALS +/- .005 ANGULARITY +/- 1'	<b>ITEM ID</b> 649	<b>SEE CHART</b>
This drawing and all data contained herein is the confidential and exclusive property of BrassCraft Manufacturing, and shall not be disclosed to others without the written consent of BrassCraft. This drawing must be returned to BrassCraft if requested.		<b>UNITS</b> A	<b>SCALE:</b> (UNLESS NOTED) FULL
		<b>INCH</b>	<b>REV.</b> A

# L-1 INSULATION

## "PRO-EXTREME"™

A.D.A. COMPLIANT UNDER-LAV PROTECTORS

# PLUMBEREX

SPECIALTY PRODUCTS INC.

Engineering Smart Solutions



ADA Compliant for Americans with Disabilities Act



SUBMITTAL SHEET

PROJECT	
DWG #	
ITEM #	

### SUBMITTAL SPEC SHEET

Insulate per ADA 4.19.4, (ADA/ABA 606.5 rev.) and IBC/ANSI A117.1, all drainage piping including all hot and cold water supplies under lavatories. Insulate with brand: Pro-Extreme™ Manufacturer: Plumberex, Inc.

Molded PVC Protectors containing anti-microbial/anti-fungal and UV inhibitors with Self-extinguishing flammability characteristics. Fastening system to consist of tamper-resistant, smooth, non-abrasive snap-locks. **P-Trap Protector:** One-Piece protector designed with full rotation option. Protector must have weep holes at the lowest point for proper leak drainage and for ventilation. **Valve and Supply Protectors:** One-Piece protectors designed with removable cap for access to water shut-off. Removable Cap can be reassembled and secured; no loose access parts are allowed to ensure long-term tamper-resistance. Protector must have weep holes at the lowest point for proper leak drainage and for ventilation. **Wheel Chair Offset Strainer Protector:** One-Piece protector designed with full rotation option. Protector also uses Velcro fasteners for easy installation.

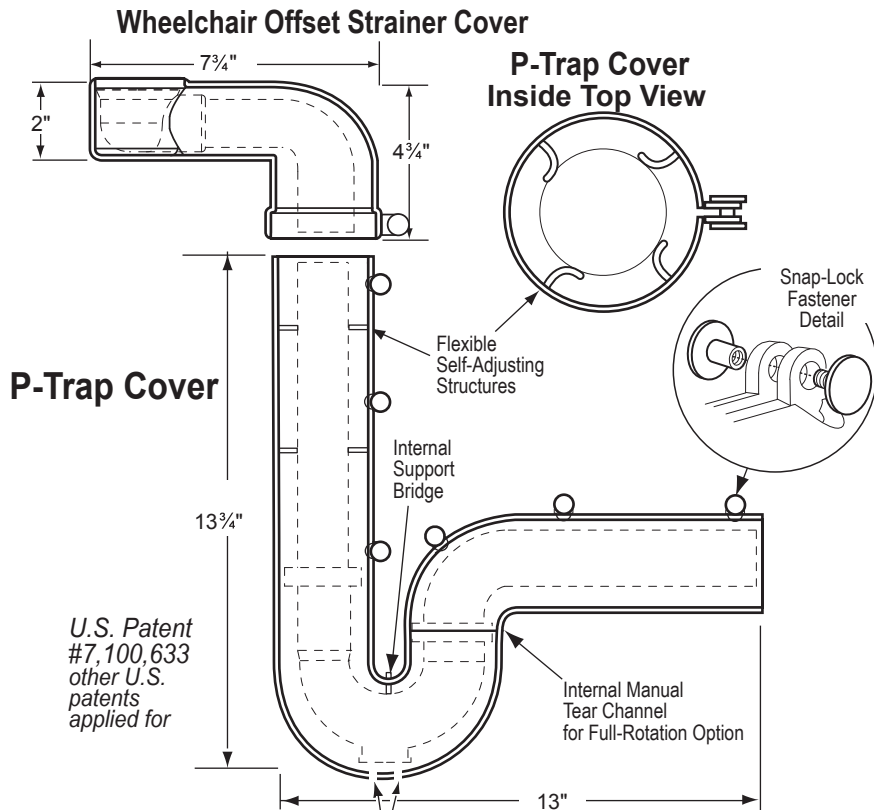
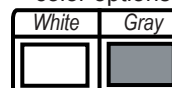
#### CODE COMPLIANCE

- ADA 4.19.4/ABA 606.5 (rev.)
- IBC/ANSI A117.1
- Uniform Building Code (UBC)
- Canadian Barrier Free Act
- California Title 24, Article P1504B

#### PART NUMBER BY PRODUCT

- MODEL # X4111  
1 P-Trap Cover
- MODEL # X4112  
1 Valve & Supply Cover
- MODEL # X4114  
1 Wheelchair Offset Strainer
- MODEL # X4222  
1 P-Trap Cover,  
1 Valve & Supply Cover Cover
- MODEL # X4333  
1 P-Trap Cover,  
2 Valve & Supply Covers
- MODEL # X4444  
1 P-Trap Cover  
1 Wheelchair Offset Strainer Cover  
2 Valve & Supply Covers

PRO-EXTREME color options:

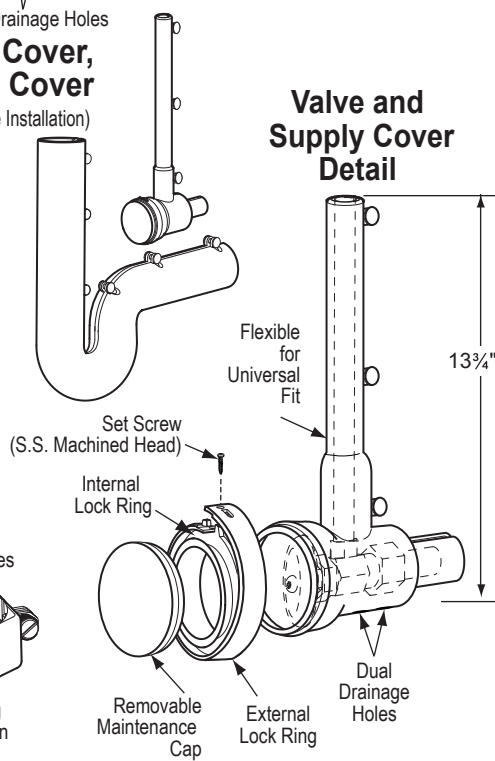
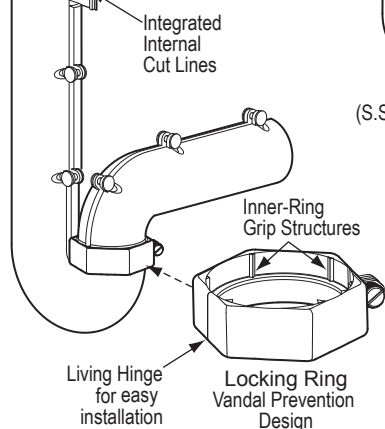


U.S. Patent #7,100,633 other U.S. patents applied for

Dual Drainage Holes  
**P-Trap Cover, Valve and Supply Cover**  
(One-Piece Installation)

**Valve and Supply Cover Detail**

**P-Trap Full-Rotation Option (Two-Piece Installation)**



P.O. Box 1684 Palm Springs, CA 92263 (760) 343-7363 1-800-475-8629 FAX (760)343-7366  
Plumberex Specialty Products, Inc. Reserves the right to make changes or improvements at any time without notice.

© 2006 Plumberex Specialty Products, Inc.



BARRIER FREE

# WC-1

## AFWALL® MILLENNIUM™ FloWise® ELONGATED FLUSHOMETER TOILET

VITREOUS CHINA with EVERCLEAN®

### AFWALL® MILLENNIUM™ FloWise® ELONGATED FLUSHOMETER TOILET with EVERCLEAN®

- Wall-mounted flushometer valve toilet
- Vitreous china
- High Efficiency, Low Consumption. Operates in the range of 1.1 gpf to 1.6 gpf (4.2 Lpf to 6.0 Lpf)
- Meets definition of HET (High Efficiency Toilet) when used with a high efficiency flush valve (1.1 gpf - 1.6 gpf or 1.28/1.1 gpf dual flush)
- Maximum Performance (MaP) score of 1,000 grams at 1.1 gpf - 1.6 gpf
- Permanent EverClean® antimicrobial surface inhibits the growth of stain- and odor-causing bacteria, mold, and mildew on the surface
- Condensation channel
- Concealed trapway design
- Elongated bowl
- Powerful direct-fed siphon jet action
- 1-1/2" inlet spud
- Fully-glazed 2-1/8" trapway
- 10" x 12" water surface area
- Static weight load of 1,000 lbs.\*
- 100% factory flush tested



SEE REVERSE FOR ROUGHING-IN DIMENSIONS

- 3351.101** Elongated bowl only, top spud
- 3352.101** Elongated bowl only, top spud with slotted rim for bedpan holding
- 3353.101** Elongated bowl only, back spud
- 3354.101** Elongated bowl only, back spud with slotted rim for bedpan holding

#### System MaP\* Score:

- 1,000 grams of miso @ 1.1 gpf to 1.6 gpf when used with an American Standard flush valve

\* Maximum Performance (MaP) testing performed by IAPMO R&T Lab. MaP Report conducted by Veritec Consulting, Inc. and Koeller and Company.

#### Component Parts:

- 047007-0070A** Inlet Spud (furnished with bowl)

#### Nominal Dimensions:

660 x 356 x 381mm  
(26" x 14" x 15")

Recommended working pressure—between 25 psi at valve when flushing and 80 psi static

Fixture only, less seat, bolt caps, and flushometer valve

#### Compliance Certifications - Meets or Exceeds the Following Specifications:

- ASME A112.19.2/CSA B45.1 for Vitreous China Fixtures

\* This product is not recommended for bariatric use.

#### To Be Specified:

- Color:  White
- Seat:
  - American Standard #5901.100 Heavy duty open front less cover
  - American Standard #5905.100 Extra heavy duty open front less cover
- Flushometer Valve:
  - 1.6 gpf:
    - Sensor-Operated: American Standard Selectronic® DC Power #6065.161.002 (Top Spud) AC Power #6067.161.002 (Top Spud)
    - Manual: American Standard #6047.161.002 (Top Spud)
  - 1.28 gpf:
    - Sensor-Operated: American Standard Selectronic® DC Power #6065.121.002 (Top Spud) AC Power #6067.121.002 (Top Spud)
    - Manual: American Standard #6047.121.002 (Top Spud)
  - 1.6 / 1.1 gpf Dual Flush:
    - Sensor-Operated: American Standard Selectronic® DC Power #6065.761.002 (Top Spud) AC Power #6067.761.002 (Top Spud)
  - 1.28 / 1.1 gpf Dual Flush:
    - Sensor-Operated: American Standard Selectronic® DC Power #6065.721.002 (Top Spud) AC Power #6067.721.002 (Top Spud)



MEETS THE AMERICANS WITH DISABILITIES ACT GUIDELINES AND ANSI A117.1 REQUIREMENTS FOR ACCESSIBLE AND USABLE BUILDING FACILITIES - CHECK LOCAL CODES.

- When installed so top of seat is 432 to 483mm (17" to 19") from the finished floor.

EVERCLEAN®  
Surface

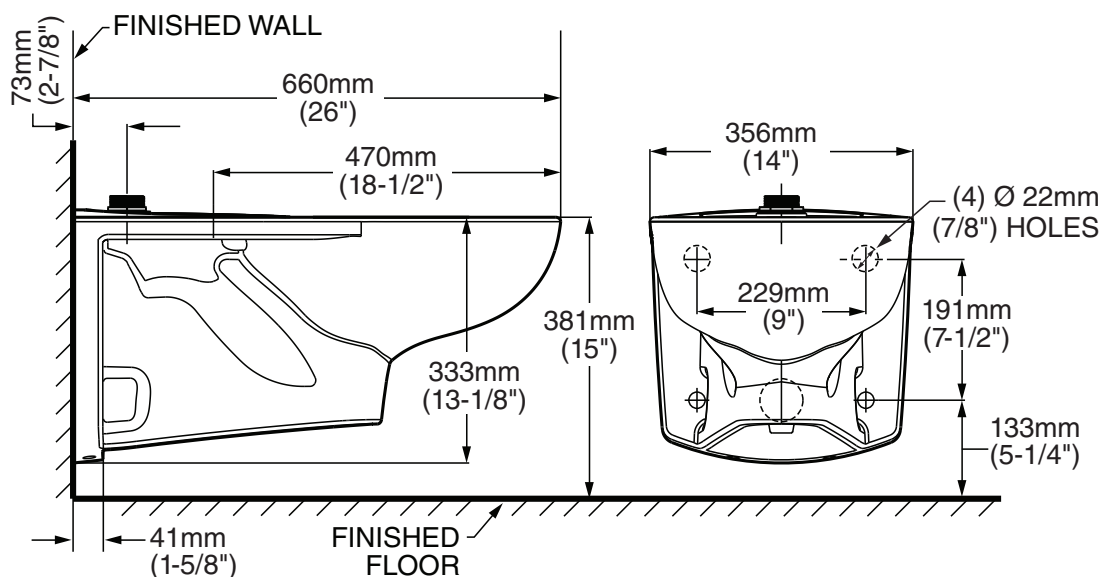


# WC-1

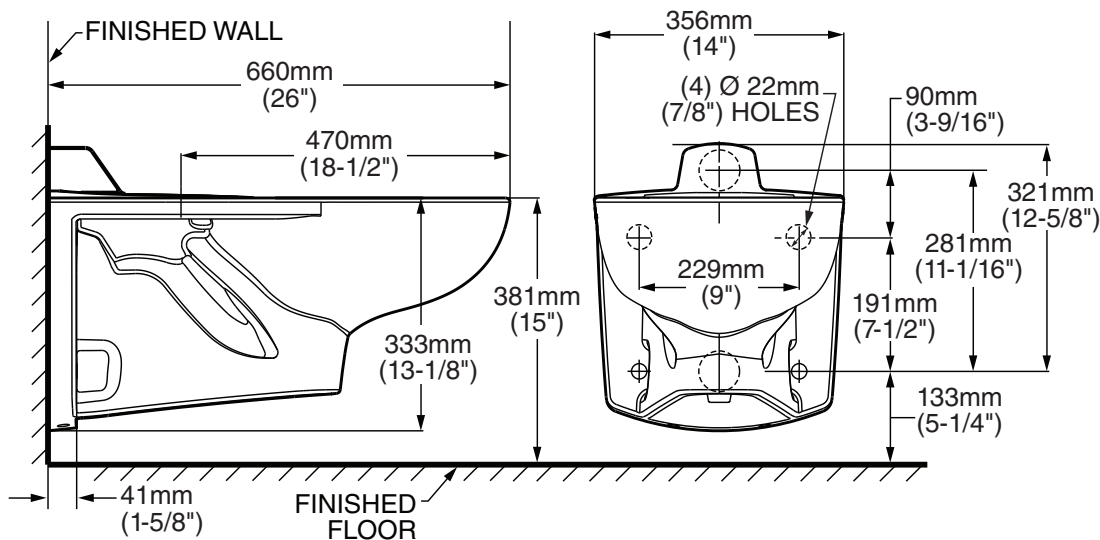
## AFWALL® MILLENNIUM™ FloWise® ELONGATED FLUSHOMETER TOILET

VITREOUS CHINA with EVERCLEAN®

3351.101/3352.101



3353.101/3354.101



**NOTES:**

● Toilet designed to meet ADA accessibility standards when top of seat height set at 432 to 483mm (17" to 19") from finished floor.

PRODUCT 3351 AND 3353 SHOWN, 3352 AND 3354 SAME EXCEPT WITH SLOTTED RIM FOR BED PAN HOLDING.

**WASTE OUTLET SEAL RING MUST BE NEOPRENE OR GRAPHITE-FELT (WAX RING NOT RECOMMENDED).**

SUGGESTED 2mm (1/16) CLEARANCE BETWEEN FACE OF WALL AND BACK OF BOWL.

TO COMPLY WITH AREA CODE GOVERNING THE HEIGHT OF VACUUM BREAKER ON THE FLUSHOMETER VALVE, THE PLUMBER MUST VERIFY DIMENSIONS SHOWN FOR SUPPLY ROUGHING.

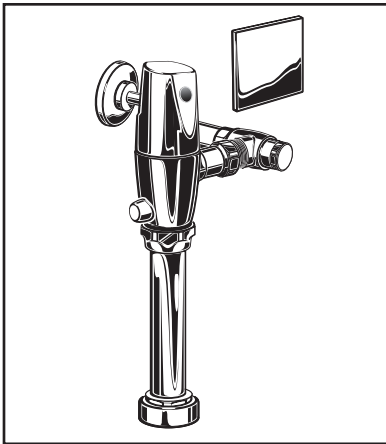
FLUSHOMETER VALVE NOT INCLUDED WITH FIXTURE AND MUST BE ORDERED SEPARATELY.

CARRIER FITTING AS REQUIRED TO BE FURNISHED BY OTHERS.

PROVIDE SUITABLE REINFORCEMENT FOR ALL WALL SUPPORT.

**IMPORTANT:** Dimensions of fixtures are nominal and may vary within the range of tolerances established by ANSI Standard A112.19.2. These measurements are subject to change or cancellation. No responsibility is assumed for use of superseded or voided pages

**SELECTRONIC® SENSOR-OPERATED TOILET FLUSH VALVE**  
**HARD-WIRED AC POWER, BASE MODEL**



**BASE MODEL: (Does Not Include Power Supply)**

**606B.161** Base Model, 1.6 gpf  
 For use with Hard-Wired AC or Multi-AC power kits. 11-1/2" rough-in



**606B.121** Base Model, 1.28 gpf  
**SAME AS ABOVE**



**606B.111** Base Model, 1.1 gpf  
**SAME AS ABOVE**



**606B.761** Base Model, Dual Flush 1.6 / 1.1 gpf  
**SAME AS ABOVE**



**606B.721** Base Model, Dual Flush 1.28 / 1.1 gpf  
**SAME AS ABOVE**

**GENERAL DESCRIPTION:**

Exposed, Sensor Operated Selectronic® Water Closet Flush Valve for floor-mounted or wall-hung 1-1/2" top spud bowls. Inlet includes 1" I.P.S. angle stop with back-flow protection, vandal-resistant cap, sweat solder kit, cover tube and wall flange. Outlet includes 1-1/2" vacuum breaker, spud coupling and flange.

**PRODUCT FEATURES:**

- Electronic flush valve with Selectronic® proximity system for "Hands Free" operation
- Self-Cleaning Piston operation with integral wiper spring prevents clogging and reduces maintenance
- Piston operation delivers superior flush accuracy and repeatability
- Adjustable tailpiece
- Chemical resistant EPDM seals are unaffected by chloramines and ammonia
- Valve remains closed and does not need to be reset after loss of power or water pressure
- Stadium Feature: Valve automatically switches to water conservation mode during periods of heavy usage
- Fully Mechanical Manual Override Button can flush toilet during a power outage
- Vandal-resistant metal cover plate (for 2-gang electric box supplied by others) with no visible fasteners
- Sensor & electronic controls are fully enclosed and water resistant
- Range can be adjusted manually or by remote control
- Sanitary Flush - Valve automatically flushes after 24 hours of non-use to clean fixture & maintain trap seal
- No external volume adjustment
- 5 second Arming Delay prevents unintentional flushing
- 3-second Flush Delay
- Can be installed left or right-handed

**POWER KITS: (Must be Purchased Separately)**

**PK00.HAC** Hard-Wired AC transformer, 10' extension cable and capacitor module

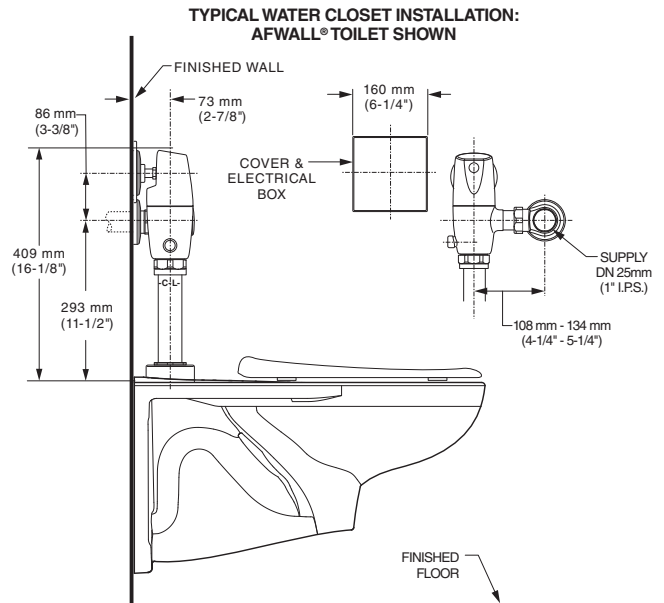
**PK00.MAC** Multi-AC adapter and 10" extension cable

**OPERATING PRESSURE:**

25 psi (flowing) - 80 psi (static)

**FLOW REQUIREMENT:**

25 gpm (94.6 L/min.)



Meets the American Disabilities Act Guidelines and **ANSI A117.1** Requirements for accessible and usable building facilities - check local codes

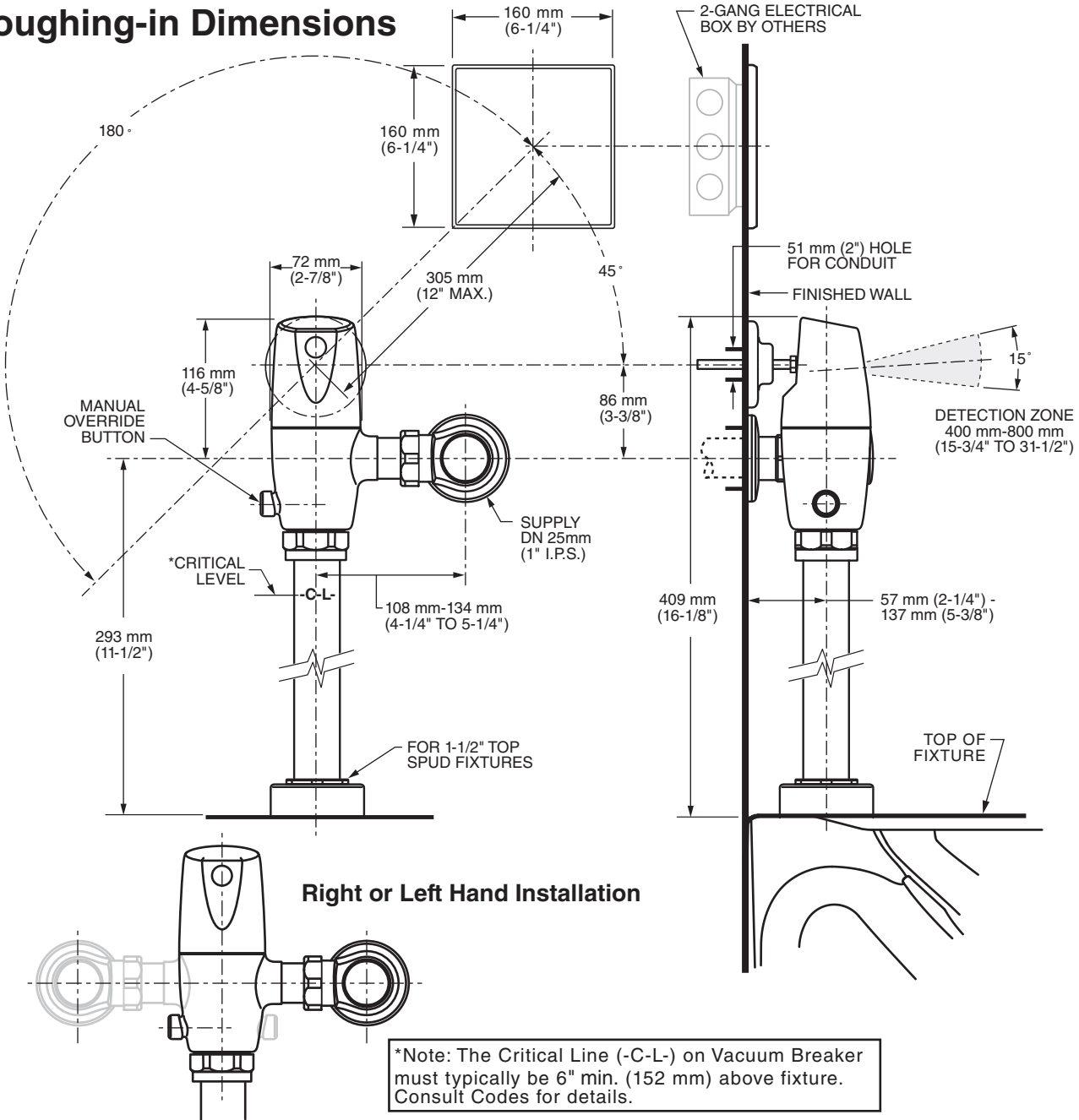
**RECOMMENDED SPECIFICATION:**

Electronic proximity infrared sensor activated toilet flush valve shall feature self-cleaning piston valve. Includes a UL listed hard-wired power supply that provides 6 VDC power to run system. Includes a fully mechanical manual over-ride that can provide a complete flush without power. Includes cast brass valve body and metal cover with chrome finish and vandal resistant stop cap. Angle stop with back-flow protection and vacuum breaker included. Flush valve shall be American Standard Model # 606B\_\_\_\_.002

**LISTINGS:**

- ASSE 1037
- ANSI/ASME A112.19.2
- ADA Compliant

**Roughing-in Dimensions**





## Solid Plastic Seats Institutional Commercial



### 500 SERIES

### DETAILS

#### 500CC

Heavy Duty open front less cover for elongated bowl. Plated steel check hinge with PVC washers and plastic nuts.

#### 500CCSS

Heavy Duty open front less cover for elongated bowl. Plated steel self sustaining check hinge with PVC washers and plastic nuts.

#### 500STSCC ✓

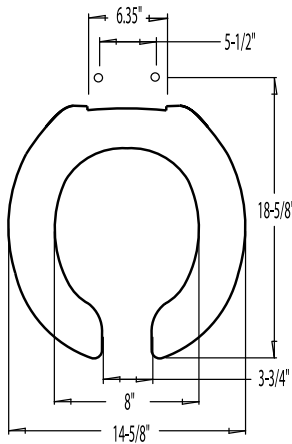
Heavy Duty open front less cover for elongated bowl. Stainless steel check hinge with PVC washers, metal flat washers, lock washers and stainless steel nuts.

#### 500STSCSS

Heavy Duty open front less cover for elongated bowl. Self sustaining stainless steel check hinge with PVC washers, metal flat washers, lock washers, stainless steel nuts and self sustaining check hinge.

#### Standard Features:

- Corrosion free steel hinge posts
- Check hinge posts
- Extended back with concealed hinge
- Integrally molded permanent and sanitary color keyed bumpers
- Corrosion free hardware
- Withstands cleansers, strong chemicals
- Easy clean



### SPECIFICATIONS

Seats shall be Centoco No. 500STSCC  
 Seat and cover shall be injection molded of high strength, impact resistant thermoplastic with integrally molded permanent bumpers and steel reinforced check hinges standard.

Color to be White.

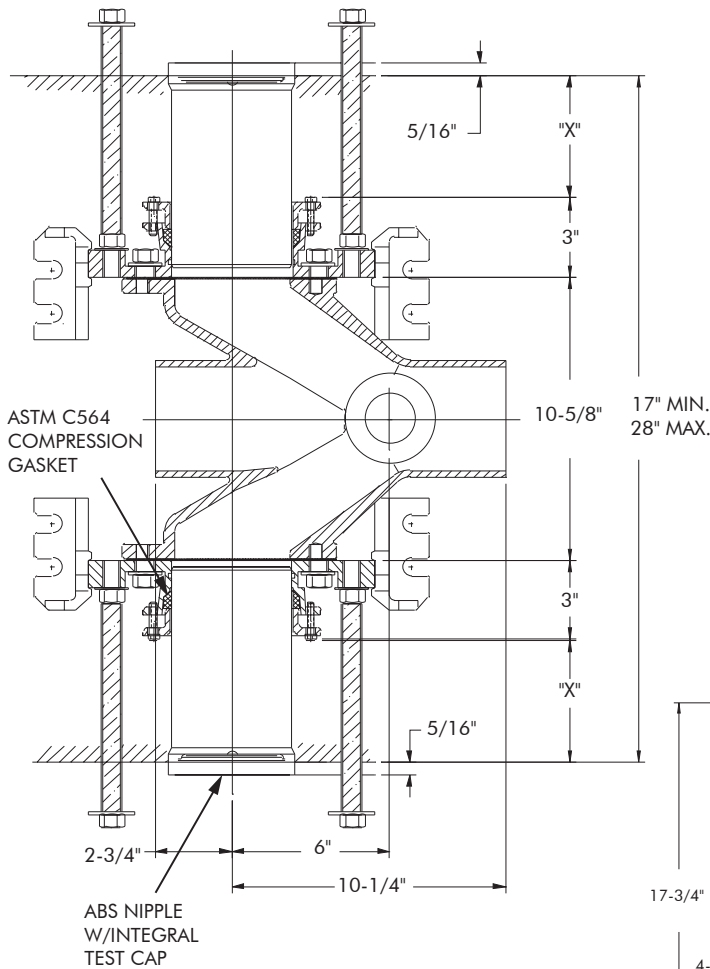


# ISCA-101-D

Tag: \_\_\_\_\_

## Industry Standard Back-To-Back Horizontal Adjustable Closet Carrier

**SPECIFICATION:** Watts Drainage Products ISCA-101-D Industry Standard back-to-back horizontal adjustable water closet carrier with epoxy coated cast iron fitting, 4"(102) no hub waste and 2"(51) no hub vent connections, epoxy coated cast iron patent pending compression seal faceplate assembly, epoxy coated cast iron foot supports adjustable for standard and wheelchair height, adjustable ABS nipple with integral test cap and neoprene bowl gasket, plated hardware and chrome cap nuts.

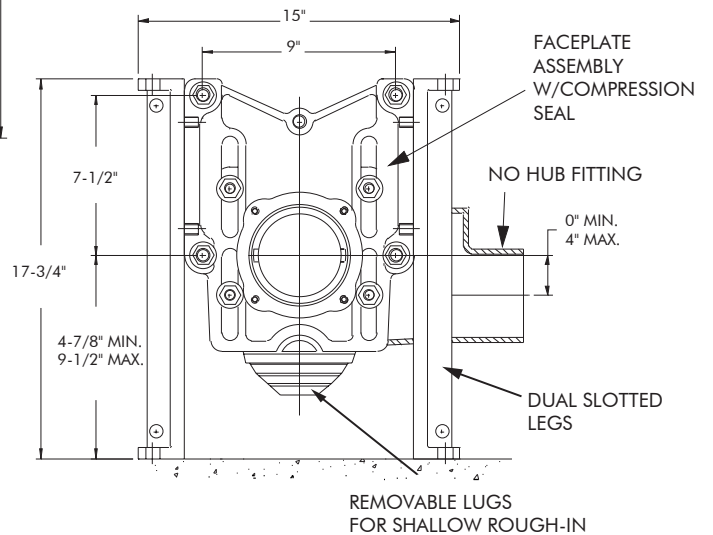


Options (Select One or More)	
Suffix	Description
-36	36" Long Barrel Fitting <input type="checkbox"/>
CA-100-EXT	Aux. Support System w/Extended Nipple <input type="checkbox"/>
-M1	ABS Extended Nipple (Up to 24") <input type="checkbox"/>
-M3	Galvanized Steel Nipple 7" <input type="checkbox"/>
-M11	Tiling Frame <input type="checkbox"/>
-M20	Flush Valve Support <input type="checkbox"/>

**Notes:**  
Siphon jet (4 bolt) arrangement shown. Invert faceplate assembly for blow-out (3 bolt) bowls.

Anchor legs to concrete floor with minimum 1/2" lag bolts (by others).

**X = 5-3/4" Maximum with Standard Nipple**



Job Name \_\_\_\_\_ Contractor \_\_\_\_\_

Job Location \_\_\_\_\_ Contractor's P.O. No. \_\_\_\_\_

Engineer \_\_\_\_\_ Representative \_\_\_\_\_

WATTS Drainage reserves the right to modify or change product design or construction without prior notice and without incurring any obligation to make similar changes and modifications to products previously or subsequently sold. See your WATTS Drainage representative for any clarification. Dimensions are subject to manufacturing tolerances.



CANADA: 5435 North Service Road, Burlington, ON, L7L 5H7 TEL: 905-332-6718 TOLL-FREE: 1-888-208-8927 Website: www.wattsdrainage.ca





# FD-1



**FD-100-C-A** ✓

**Floor Drain with Round Strainer**

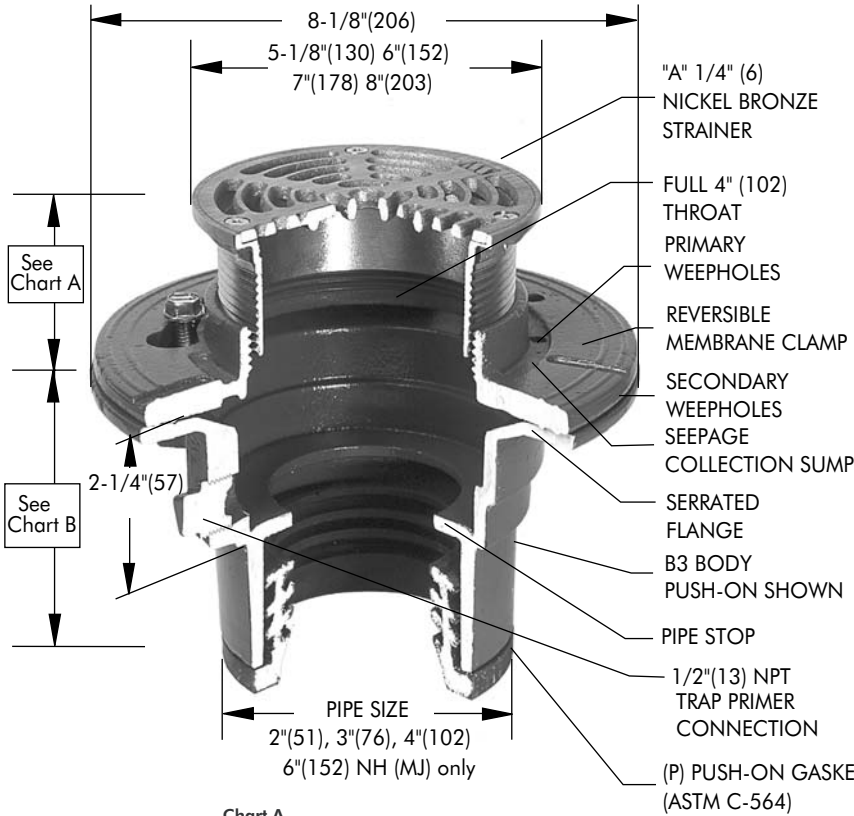
Tag: \_\_\_\_\_

**Components:**



**SPECIFICATION:** Watts Drainage Products FD-100-C-A epoxy coated cast iron floor drain with anchor flange, reversible membrane clamp with primary and secondary weepholes, 1/4"(6) thick (specify diameter) adjustable nickel bronze (standard) strainer, and no hub (MJ) (standard) outlet.

Order Code: FD-10   -C-  -  -



Ex. FD-102P-C-A5-1

Pipe Sizing (Select One)	
Suffix	Description
2	2"(51) Pipe Size <input type="checkbox"/>
3	3"(76) Pipe Size <input checked="" type="checkbox"/>
4	4"(102) Pipe Size <input type="checkbox"/>
6	6"(152) Pipe Size <input type="checkbox"/>

Outlet Type (Select One)	
Suffix	Description
NH	No Hub (MJ) <input checked="" type="checkbox"/>
P	Push On <input type="checkbox"/>
T	Threaded Outlet <input type="checkbox"/>
X	Inside Caulk <input type="checkbox"/>

Strainer (Select One)	
Suffix	Description
A5-1	5"(127) Diameter, Nickel Bronze <input checked="" type="checkbox"/>
A6-1	6"(152) Diameter, Nickel Bronze <input type="checkbox"/>
A7-1	7"(178) Diameter, Nickel Bronze <input type="checkbox"/>
A8-1	8"(203) Diameter, Nickel Bronze <input type="checkbox"/>

Options (Select One or More)	
Suffix	Description
-5	Sediment Bucket <input type="checkbox"/>
-6	Vandal Proof <input type="checkbox"/>
-8	Backwater Valve (3" / 4" Only) <input type="checkbox"/>
-12	Galvanized Top <input type="checkbox"/>
-13	All Galvanized <input type="checkbox"/>
-15	Strainer Extension (DD-50) <input type="checkbox"/>
-113M	Special Epoxy from 3M Range <input type="checkbox"/>
-F4-50	4" Round Cast Iron Funnel <input type="checkbox"/>
-F4-1	4" Round Nickel Bronze Funnel <input type="checkbox"/>
-F6-1	6" Round Nickel Bronze Funnel <input type="checkbox"/>
-G-50	4x9" Oval Cast Iron Funnel <input type="checkbox"/>
-G-1	4x9" Oval Nickel Bronze Funnel <input type="checkbox"/>
-SO	Side Outlet <input type="checkbox"/>
-Z	Elastomeric Flange <input type="checkbox"/>

Optional Body Material (NH Only)	
Suffix	Description
-60	PVC Body w/Socket Outlet <input type="checkbox"/>
-61	ABS Body w/Socket Outlet <input type="checkbox"/>

Chart A

Str. Dia.	Min.	Max.	Load Rating	Free Area Sq. In.
5"(127)	3/16"(21)	2-1/2"(64)	*MD	8
6"(152)	7/8"(22)	2-3/4"(70)	*MD	9
7"(178)	11/16"(17)	2-1/2"(64)	*MD	12
8"(203)	7/8"(22)	2-7/8"(73)	*MD	18

\* The load classifications are in accordance with the American National Standards ASME A112.21.1M ASME Ratings are as follows:  
MD - Safe Live Load 2000-4999 lbs.(900-2250kg)  
The above categories are given as a guide only. Please consult factory.

Chart B

	Std.	P	T	X	60/61
Pipe Size	No Hub	Push On	Female Thread	Inside Caulk	PVC/ABS
2"(51)	3-5/8"(92)	4-1/4"(108)	4-1/4"(108)	4-1/2"(114)	3-3/4"(95)
3"(76)	3-5/8"(92)	4-1/4"(108)	4-1/4"(108)	4-1/2"(114)	3-3/4"(95)
4"(102)	3-5/8"(92)	4-1/4"(108)	4-1/4"(108)	4-1/2"(114)	4"(102)
6"(152)	3-1/2"(89)				

Job Name \_\_\_\_\_ Contractor \_\_\_\_\_

Job Location \_\_\_\_\_ Contractor's P.O. No. \_\_\_\_\_

Engineer \_\_\_\_\_ Representative \_\_\_\_\_

Watts Drainage reserves the right to modify or change product design or construction without prior notice and without incurring any obligation to make similar changes and modifications to products previously or subsequently sold. See your Watts Drainage representative for any clarification. Dimensions are subject to manufacturing tolerances.



CANADA: 5435 North Service Road, Burlington, ON, L7L 5H7 TEL: 905-332-6718 TOLL-FREE: 1-888-208-8927 Website: www.wattsdrainage.ca



# RD-1



RD-100 ✓

Tag: \_\_\_\_\_

Large Capacity  
Roof Drain

**Components:**



**SPECIFICATION:** Watts Drainage Products RD-100 epoxy coated cast iron roof drain with deep sump, wide serrated flashing flange, flashing clamp device with integral gravel stop and self-locking polyethylene (standard) dome strainer.

Order Code: RD-10   -  -

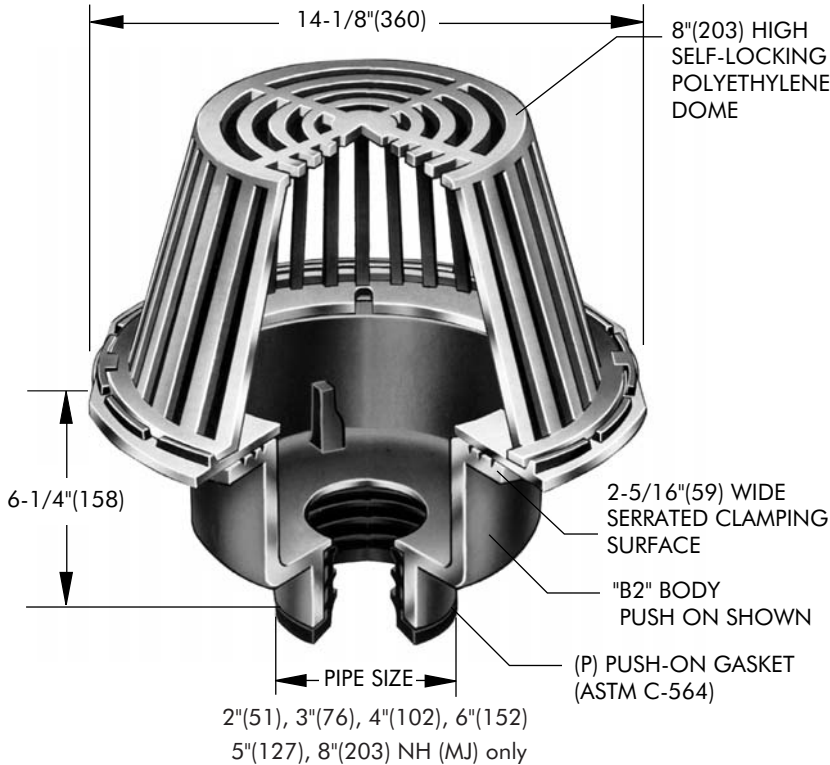
Ex. RD-102P-K

Pipe Sizing (Select One)	
Suffix	Description
2	2"(51) Pipe Size <input type="checkbox"/>
3	3"(76) Pipe Size <input checked="" type="checkbox"/>
4	4"(102) Pipe Size <input type="checkbox"/>
5	5"(127) Pipe Size <input type="checkbox"/>
6	6"(152) Pipe Size <input type="checkbox"/>
8	8"(203) Pipe Size <input type="checkbox"/>

Outlet Type (Select One)	
Suffix	Description
NH	No Hub (MJ) <input checked="" type="checkbox"/>
P	Push On <input type="checkbox"/>
T	Threaded Outlet <input type="checkbox"/>
X	Inside Caulk <input type="checkbox"/>

Options (Select One or More)	
Suffix	Description
-A	Accutrol weir (specify # 1-6 slots) <input checked="" type="checkbox"/>
-B	Sump Receiver Flange <input checked="" type="checkbox"/>
-BED	Sump Receiver, Adj Ext., Deck Clamp <input type="checkbox"/>
-C	Secondary Membrane Clamp <input type="checkbox"/>
-D	Underdeck Clamp <input checked="" type="checkbox"/>
-E	Adjustable Extension <input type="checkbox"/>
-GSS	Stainless Steel Ballast Guard <input type="checkbox"/>
-H	Adj. to 6" IRMA Ballast Guard <input checked="" type="checkbox"/>
-K	Ductile Iron Dome <input checked="" type="checkbox"/>
-K80	Aluminum Dome <input type="checkbox"/>
-L	Vandal Proof Dome <input type="checkbox"/>
-R	2" High External Water Dam <input type="checkbox"/>
-SO	Side Outlet** <input type="checkbox"/>
-V	Fixed Extension (1-1/2",2",3",4") <input type="checkbox"/>
-W	Adj. Water Level Regulator <input type="checkbox"/>
-W-1	Waterproofing Flange <input type="checkbox"/>
-Z	Extended Integral Wide Flange <input type="checkbox"/>
-5	Sediment Bucket <input type="checkbox"/>
-12	Galvanized Dome <input type="checkbox"/>
-13	All Galvanized <input type="checkbox"/>
-83	Mesh Covered Dome <input type="checkbox"/>
-113M	Special Epoxy from 3M Range <input type="checkbox"/>

Optional Body Material (NH Only)	
Suffix	Description
-60	PVC Body w/Socket Outlet <input type="checkbox"/>
-61	ABS Body w/Socket Outlet <input type="checkbox"/>



Free Area Sq. In.
137

Deck opening 10" (254)  
with sump receiver 13-1/4" (337)

\*\* Side Outlet (-SO) option only available in 2"(51), 3"(76), 4"(102) pipe sizes.  
Underdeck Clamp (-BED and -D options) are not available when -SO is selected.

Job Name \_\_\_\_\_ Contractor \_\_\_\_\_

Job Location \_\_\_\_\_ Contractor's P.O. No. \_\_\_\_\_

Engineer \_\_\_\_\_ Representative \_\_\_\_\_

WATTS Drainage reserves the right to modify or change product design or construction without prior notice and without incurring any obligation to make similar changes and modifications to products previously or subsequently sold. See your WATTS Drainage representative for any clarification. Dimensions are subject to manufacturing tolerances.



CANADA: 5435 North Service Road, Burlington, ON, L7L 5H7 TEL: 905-332-6718 TOLL-FREE: 1-888-208-8927 Website: www.wattsdrainage.ca





Enhancing everyday living

# DHWT

## ENGINEERING SUBMITTAL DATA SHEET

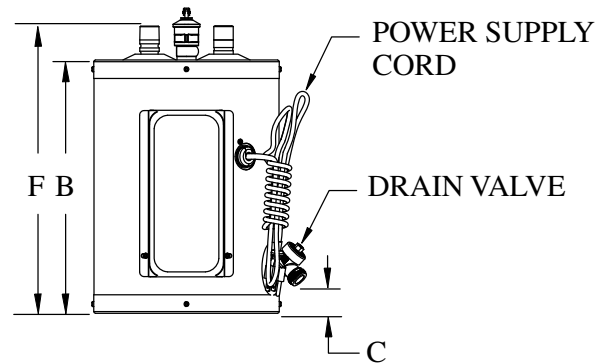
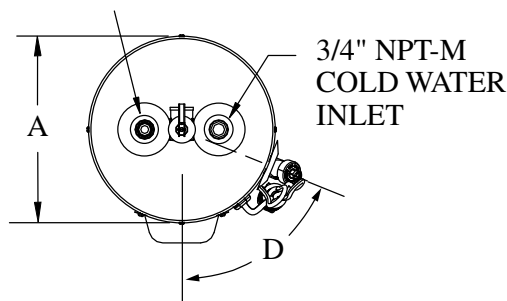
Top entry point of use electric compact water heater

### 103ETE MODEL

2 imperial gallons / 9 litres  
insulated with 1 1/4" fiberglass

Model	Storage Capacity		Input	Voltage	Diameter (A) In. (cm)	Height (B) In. (cm)	C In. (cm)	D	E	F In. (cm)	Plumbing connections	Est. ship. wt. lb (kg)
	gal.	Litres										
103ETE-1R3N	2	9	1,500 W	120 V	10 (25)	13 3/4 (35)	1 1/2 (4)	68°	—	15 5/8 (40)	3/4" NPT	24(11)

3/4" NPT-M  
HOT WATER OUTLET  
COMBINATION ANODE



JOB TITLE

ADDRESS

CONTRACTOR

ADDRESS

ENGINEER

SUBMITTED DATE

REQUIRED PRODUCT

MODEL NO. SIZE QUANTITY

MODEL NO. SIZE QUANTITY

MODEL NO. SIZE QUANTITY

MODEL NO. SIZE QUANTITY

REQUIRED DATE

In accordance with our product continued improvement policy, Giant Factories Inc. reserves the right to make changes or improvements at any time without prior notice.

[giantinc.com](http://giantinc.com)

