

Dovercourt Phase 2 Addition & Renovation

411 Dovercourt, Ottawa

Job No. X-313

Architect

Hobin Architecture Incorporated
63 Pamilia Street
Ottawa, ON
K1S 3K7
Tel: 613-238-7200
Fax: 613-235-2005

Coordinator

Hal Howlett- Merlin Door Systems Ltd
29 Cleopatra Drive
Ottawa, ON
K2G 0B6
Tel: 613-723-7900
Fax: 613-723-7976
E-Mail: hal@merlindoor.com

Contractor

TalCo Building Innovations
1341 Coker Street
Greely, ON
K4P 1A1
Tel: 613-821-3959
Fax: 613-821-2938

SHOP DRAWING REVIEW

REVIEWED
REVIEWED AS NOTED
REVISE AND RESUBMIT



Estimator: Hal Howlett
Detailer: Annie Huang

Plan Revision: May 14, 2018
Submittal Date: August 28, 2018

"This review is for the sole purpose of ascertaining conformance with the general design concept for architectural features only, and does not in any way constitute review of the design of engineering elements which form part of the Contract Documents prepared by others. This review shall not mean that the Architect approves the detail design inherent in the shop drawings. This responsibility shall remain with the Contractor submitting same, and such review shall not relieve the Contractor of his responsibility for errors or omissions in the shop drawings or of his responsibility for meeting all requirements of the Contract Documents. The Contractor is responsible for dimensions to be confirmed and correlated at the job site, for information that pertains solely to fabrication processes, or to techniques of construction and installation and for co-ordination for the work of all trades."

Doug van den Ham October 26, 2018
By: _____ Date: _____
HOBIN ARCHITECTURE INCORPORATED

Please note that substitutions have been made from specified hardware. These substitutions were made at the clients request as a cost savings and are approved as such.



Merlin Door Systems Ltd.
29 Celopatra Drive
Ottawa, ON, K2G 0B6

Dovercourt Phase 2 Addition & Renovation
411 Dovercourt, Ottawa
Job No. X-313

Submittal Date: August 28, 2018

Hardware Schedule

Heading #1

Item #1 1 Single door 217.1, Corridor 216A To Meeting 217A LH

965 x 2135 x 44 - WD DR x HM FR

1	Continuous Hinge	780-224 HD 83" Clear LH	Clear
1	Lockset	GX1L80 626 LH	626
1	Cylinder	KB001 CB	
1	Surface Closer	5100 Rw/Pa DA ALM	ALM
1	Kick Plate	K10A 8" x 36 1/2" x TM 630	630
1	Wall Door Stop	S120 626	626

SECURITY SYSTEM SUPPLIED BY SECURITY CONTRACTOR
INCLUDES: CARD READER, ELECTRIC STRIKE (HES 1006) & ALL RELATED HARDWARE.

Heading #2

Item #2 1 Single door 217.2, Meeting 217A To/From Office 217B LH-POCKET

1067 x 2135 x 44 - WD DR x WD FR

1	Track / Hanger	C-411 x 84" 1DR KIT	
1	Guide Channel	C-914 42"CA	CA
1	Floor Guide	C-913	
1	Lock and Pull	C-90L 626	626
1	Flush Pull	C-90C 626	626
		Secured Side	
1	Flush Pull with Thumb Turn	C-90T 626	626
		Insecured Side	
1	Mortise Cylinder	M118CB	
		Confirm Length and Cam Requirement	

SHOP DRAWING REVIEW

REVIEWED
 REVIEWED AS NOTED
 REVISE AND RESUBMIT



See note regarding Dorex locksets,
keying on Dorex cut sheets

"This review is for the sole purpose of ascertaining conformance with the general design concept for architectural features only, and does not in any way constitute review of the design of engineering elements which form part of the Contract Documents prepared by others. This review shall not mean that the Architect approves the detail design inherent in the shop drawings. This responsibility shall remain with the Contractor submitting same, and such review shall not relieve the Contractor of his responsibility for errors or omissions in the shop drawings or of his responsibility for meeting all requirements of the Contract Documents. The Contractor is responsible for dimensions to be confirmed and correlated at the job site, for information that pertains solely to fabrication processes, or to techniques of construction and installation and for co-ordination for the work of all trades."

Doug van den Ham October 26, 2018
 By: _____ Date: _____

HOBIN ARCHITECTURE INCORPORATED



Merlin Door Systems Ltd.
29 Celopatra Drive
Ottawa, ON, K2G 0B6

Dovercourt Phase 2 Addition & Renovation
411 Dovercourt, Ottawa
Job No. X-313

Submittal Date: August 28, 2018

Heading #3

Item #3	1 Single door 217.3, Meeting 217A To Office 217C	LH
Item #4	1 Single door 217.4, Meeting 217A To Office 217D	LH

965 x 2135 x 44 - WD DR x HM FR

6	Standard Hinge	BB1279 5" x 4" 626	626
2	Lockset	GX1L70 626 LH	626
2	Cylinder	KB001 CB	
2	Kick Plate	K10A 8" x 36 1/2" x TM 630	630
2	Wall Door Stop	S120 626	626

Heading #4

Item #5	1 Single door 218.1, Lobby 216B To WC 218	LH
---------	---	----

864 x 2135 x 44 - WD DR x HM FR

3	Standard Hinge	BB1279 5" x 4" 626	626
1	Lockset	GX1L42 626 LH	626
1	Kick Plate	K10A 8" x 32 1/2" x TM 630	630
1	Wall Door Stop	S120 626	626

SHOP DRAWING REVIEW

- REVIEWED
- REVIEWED AS NOTED
- REVISE AND RESUBMIT



See note regarding Dorex locksets,
keying on Dorex cut sheets

"This review is for the sole purpose of ascertaining conformance with the general design concept for architectural features only, and does not in any way constitute review of the design of engineering elements which form part of the Contract Documents prepared by others. This review shall not mean that the Architect approves the detail design inherent in the shop drawings. This responsibility shall remain with the Contractor submitting same, and such review shall not relieve the Contractor of his responsibility for errors or omissions in the shop drawings or of his responsibility for meeting all requirements of the Contract Documents. The Contractor is responsible for dimensions to be confirmed and correlated at the job site, for information that pertains solely to fabrication processes, or to techniques of construction and installation and for co-ordination for the work of all trades."

By: Doug van den Ham Date: October 26, 2018
HOBIN ARCHITECTURE INCORPORATED



Merlin Door Systems Ltd.
29 Celopatra Drive
Ottawa, ON, K2G 0B6

Dovercourt Phase 2 Addition & Renovation
411 Dovercourt, Ottawa
Job No. X-313

Submission Date: August 28, 2018

Heading #5

Item #6 1 Single door 219.1, Lobby 216B From Univ WC 219 LHR

965 x 2135 x 44 - WD DR x HM FR

3	Standard Hinge	BB1279 5" x 4" 626	626
1	Lockset	GX1L42 626 LHR	626
1	Electric Strike	5000C-630	630
		Power Thru Opener System	
1	Auto Operator	7100	
		Push Side Mounting	
		c/w Flat Arm & Bracket Application	
		c/w Full Length Housing	
2	Wall Actuator	CM-60/2	630
1	Mount Box	CM69S	
		Escutcheon to Match Existing	
1	Emergency Call Kit	CX-WEC10	
1	Motion Sensor	T-Rex Motion Sensor and Washroom Control Kit	
1	Kick Plate	K10A 8" x 36 1/2" x TM 630	630

Washroom Relay Package Supplied by INC

MODE OF OPERATION:

CORRIDOR SIDE WALL ACTUATOR TO RELEASE ELECTRIC STRIKE AND ACTIVATE DOOR OPENER.
 WC SIDE MOTION SENSOR TO DEACTIVATE CORRIDOR SIDE WALL ACTUATOR.
 DOOR POSITION SWITCH RESETS CORRIDOR SIDE WALL ACTUATOR.
 WC SIDE ACTUATOR ACTIVE AT ALL TIMES.
 LOCATION OF ACTUATORS TO BE CONFIRMED.

EMERGENCY CALL CONSISTS OF AUDIBLE AND VISUAL SIGNAL DEVICES INSIDE AND OUTSIDE OF THE WASHROOM, CONTROL DEVICE INSIDE THE WASHROOM AND EMERGENCY SIGNAGE AS PER O.B.C.

EMERGENCY STRIKE RELEASE RELAY TO RELEASE ELECTRIC STRIKE UPON SIGNAL FROM EMERGENCY CALL SYSTEM ALLOWING RESPONDERS ACCESS TO WC WITHOUT HAVING TO UNLOCK OUTSIDE LEVER.

SHOP DRAWING REVIEW

- REVIEWED
- REVIEWED AS NOTED
- REVISE AND RESUBMIT



See note regarding Dorex locksets, keying on Dorex cut sheets

"This review is for the sole purpose of ascertaining conformance with the general design concept for architectural features only, and does not in any way constitute review of the design of engineering elements which form part of the Contract Documents prepared by others. This review shall not mean that the Architect approves the detail design inherent in the shop drawings. This responsibility shall remain with the Contractor submitting same, and such review shall not relieve the Contractor of his responsibility for errors or omissions in the shop drawings or of his responsibility for meeting all requirements of the Contract Documents. The Contractor is responsible for dimensions to be confirmed and correlated at the job site, for information that pertains solely to fabrication processes, or to techniques of construction and installation and for co-ordination for the work of all trades."

By: Doug van den Ham Date: October 26, 2018
 HOBIN ARCHITECTURE INCORPORATED



Merlin Door Systems Ltd.
 29 Celopatra Drive
 Ottawa, ON, K2G 0B6

Dovercourt Phase 2 Addition & Renovation
 411 Dovercourt, Ottawa
 Job No. X-313

Submittal Date: August 28, 2018

Heading #6

Item #7 1 Single door 220.1, Lobby 216B From Storage 220 RHR

965 x 2135 x 44 - WD DR x HM FR

3	Standard Hinge	BB1279 5" x 4" NRP 626	626
1	Lockset	GX1L80 626 RHR	626
1	Cylinder	KB001 CB	
1	Kick Plate	K10A 8" x 36 1/2" x TM 630	630
1	Overhead Door Holder	7015 SRF SZ1 US32D 44 95 Degree	630

Heading #7

Item #8 1 Single door 220.2, Activity Room 221 From Storage 220 RHR

965 x 2135 x 44 - WD DR x HM FR

3	Standard Hinge	BB1279 5" x 4" NRP 626	626
1	Lockset	GX1L80 626 RHR c/w ANSI Strike Box	626
1	Cylinder	KB001 CB	
1	Kick Plate	K10A 8" x 36 1/2" x TM 630	630
1	Overhead Door Holder	7015 SRF SZ1 US32D 44 c/w Blade Stop Shim As Required	630

This door must have a flush pull on the outside (activity room side)

SHOP DRAWING REVIEW

- REVIEWED
- REVIEWED AS NOTED
- REVISE AND RESUBMIT



See note regarding Dorex locksets, keying on Dorex cut sheets

"This review is for the sole purpose of ascertaining conformance with the general design concept for architectural features only, and does not in any way constitute review of the design of engineering elements which form part of the Contract Documents prepared by others. This review shall not mean that the Architect approves the detail design inherent in the shop drawings. This responsibility shall remain with the Contractor submitting same, and such review shall not relieve the Contractor of his responsibility for errors or omissions in the shop drawings or of his responsibility for meeting all requirements of the Contract Documents. The Contractor is responsible for dimensions to be confirmed and correlated at the job site, for information that pertains solely to fabrication processes, or to techniques of construction and installation and for co-ordination for the work of all trades."

By: Doug van den Ham Date: October 26, 2018
HOBIN ARCHITECTURE INCORPORATED



Merlin Door Systems Ltd.
29 Celopatra Drive
Ottawa, ON, K2G 0B6

Dovercourt Phase 2 Addition & Renovation
411 Dovercourt, Ottawa
Job No. X-313

Submission Date: August 28, 2018

Heading #8

Item #9 1 Single door 221.1, Lobby 216B From Activity Room 221 RHR

1067 x 2135 x 44 - WD DR x HM FR

3	Continuous Hinge	780-224 HD 83" Clear RHR	Clear
1	Exit Device	9500PR4-28	-28
1	Storeroom Trim	9500TE80-28	28
1	Mortise Cylinder	M118CB	
		Confirm Length and Cam Requirement	
1	Surface Closer	5100 ALM HD DA c/w 5114 Drop Plate	ALM
1	Kick Plate	K10A 8" x 40 1/2" 630	630
1	Wall Door Stop	S120 626	626

DOOR & FRAME SUPPLIED TO PROVIDE BLOCKING UNDER WEATHERSTRIPPED ALUMINUM SECTION ACROSS HEAD AS REQUIRED TO ACCOMMODATE THE PARALLEL ARM DOOR CLOSER INSTALLATION.

SECURITY SYSTEM SUPPLIED BY SECURITY CONTRACTOR
INCLUDES: CARD READER, ELECTRIC STRIKE (HES 1006) & ALL RELATED HARDWARE.

Heading #9

Item #10 1 Single door 221.2, Exterior From Activity Room 221 RHR

965 x 2135 x ___ - AL DR x AL FR

1	Continuous Hinge	780-112 HD 83" Clear RHR	Clear
1	Exit Device	LD-98EO RHR 4' Bar 965 x 2135 Door	626
1	Surface Closer	4040XP EDA x 626 Shoe SRI AL	AL
1	Drop Plate	4040XP-18 SRI AL	AL
1	Overhead Door Stop	104S 626	626
1	Door Sweep	W-24S-CA x 38" Exterior Side	CA

Threshold and Weatherstripping by Door and Frame Supplier

DOOR AND FRAME SUPPLIER TO PROVIDE BLOCKING UNDER INSIDE FACE OF DOOR CLADDING FOR EXIT DEVICE AND UNDER WEATHERSTRIPPED ALUMINUM SECTION ACROSS HEAD AS REQUIRED TO ACCOMMODATE THE PARALLEL ARM DOOR CLOSER INSTALLATION.

SECURITY SYSTEM SUPPLIED BY SECURITY CONTRACTOR S
 INCLUDES DOOR CONTACT & ALL RELATED HARDWARE.



SHOP DRAWING REVIEW

- REVIEWED
- REVIEWED AS NOTED
- REVISE AND RESUBMIT

"This review is for the sole purpose of ascertaining conformance with the general design concept for architectural features only, and does not in any way constitute review of the design of engineering elements which form part of the Contract Documents prepared by others. This review shall not mean that the Architect approves the detail design inherent in the shop drawings. This responsibility shall remain with the Contractor submitting same, and such review shall not relieve the Contractor of his responsibility for errors or omissions in the shop drawings or of his responsibility for meeting all requirements of the Contract Documents. The Contractor is responsible for dimensions to be confirmed and correlated at the job site, for information that pertains solely to fabrication processes, or to techniques of construction and installation and for co-ordination for the work of all trades."

See note regarding Dorex locksets, keying on Dorex cut sheets

By: Doug van den Ham Date: October 26, 2018



Merlin Door Systems Ltd.
29 Celopatra Drive
Ottawa, ON, K2G 0B6

Dovercourt Phase 2 Addition & Renovation
411 Dovercourt, Ottawa
Job No. X-313

Submittal Date: August 28, 2018

100 Series concealed overhead door holders/stops



- Reduced door prep
- Durable
- Improved corrosion resistance
- Function conversion kits are available

Materials and finishes

In heavy gauge brass or 300 Series stainless steel, these models offer the broadest range of finishes in the industry, complementing any design and offering the highest resistance to corrosion. Available in the following finishes:

100 Series heavy-duty

Glynn-Johnson offers a complete line of overhead door holders and stops, accommodating virtually all openings with solutions for even the most complex door control problems. These concealed holders and stops provide the most attractive and reliable heavy-duty door control available.

Glynn-Johnson 100 Series holders and stops provide the most reliable and versatile concealed overhead door control. They are designed for installation on virtually all types of doors mounted on conventional type butt hinges, pivots, continuous hinges, swing clear hinges and numerous other specialty hinges. When used in conjunction with many surface-applied door closers, 100 Series holders and stops provide the most effective control for entrance doors and vestibule doors of all types, as well as heavy or often used interior doors. Templates provided allow for variable mounting positions, ranging from 85° - 110° of opening.

Five models:

- 100H Series hold-open model
- 100HP Series Internal hold-open model
- 100F Series friction hold-open model
- 100S Series stop-only model
- 100SE Series special stop-only model

Six sizes:

- Each model comes in six sizes.
- Simple
- Standardized

Three options:

- ADJ—Adjustable jamb bracket
- CJ—Jamb Bracket for use with LCN 5030 closer
- SOC—Pin-in-socket security screw package

Unmatched convenience:

- Non-handed
- Improved compatibility with door closers
- Single/double-acting doors
- Interior/exterior applications

18 • Glynn-Johnson • Door holders and stops

SHOP DRAWING REVIEW

Finishes	Description	Reviewed
US3	Polished brass	<input checked="" type="checkbox"/>
US4	Satin brass	<input type="checkbox"/>
US10	Satin bronze	<input type="checkbox"/>
US10B	Oil rubbed bronze	<input type="checkbox"/>
US32	Polished stainless steel	<input type="checkbox"/>
US32D	Satin stainless steel	<input type="checkbox"/>
SP4	Powder coat brass	<input type="checkbox"/>
SP10	Powder coat bronze	<input type="checkbox"/>
SP28	Powder coat aluminum	<input type="checkbox"/>
SP313	Powder coat dark bronze	<input type="checkbox"/>
SPBLK	Powder coat black	<input type="checkbox"/>

By: Doug van den Ham Date: October 26, 2018

HOBIN ARCHITECTURE INCORPORATED



This review is for the sole purpose of ascertaining conformance with the general design and such review shall not relieve the Contractor of his responsibility for errors or omissions in the shop drawings or his responsibility for meeting all requirements of the Contract at the job site, for information that pertains solely to fabrication processes, or to techniques of installation and for co-ordination for the work of all trades.

Models

These models provide a wide range of optional features, and are ideal for use on entrance and vestibule doors, large doors, doors opened frequently, or doors subject to abuse. These models are also furnished with an offset-style jamb bracket.

Designed for heavy-duty applications, 100 Series models will provide long-lasting protection to doors, frames, hinges, related hardware and surrounding walls or obstructions.

100H Series hold-open

(Suffix H) The hold-open function should be used where it is desired to hold a door open at a predetermined position for short or long periods of time, permitting an unobstructed traffic flow through the opening.

These models are both selective and adjustable, featuring the most reliable hold-open mechanism available. They feature a control knob which protrudes from the face of the door and turns the hold-open function on or off. Set in the inactive position, the unit acts as a stop and shock absorber. The tension on the hold-open mechanism can be adjusted using an allen wrench to offset air currents or other exterior conditions. The hold-open tension adjustment is located in the bottom of the track in the top of the door.



Merlin Door Systems Ltd.
29 Celopatra Drive
Ottawa, ON, K2G 0B6

Dovercourt Phase 2 Addition & Renovation
411 Dovercourt, Ottawa
Job No. X-313

Submittal Date: August 28, 2018



FULL MORTISE

FIVE KNUCKLE HINGES

BB1191

Ball Bearing - Standard Weight
Brass with stainless steel pin (ANSI A2112) or stainless steel with stainless steel pin (ANSI A5112)

BB1279

Ball Bearing - Standard Weight

- Steel with steel pin (ANSI A8112)
- Two ball bearings
- Non-rising removable pin with button tip and plug
- 3-1/2" x 3-1/2" (89 x 89 mm) BB1279 available with reversible hole pattern
- For use on medium weight doors or doors requiring medium frequency service

WTBB1191

Ball Bearing - Standard Weight - Wide Throw
Brass with stainless steel pin (ANSI A2112) or stainless steel with stainless steel pin (ANSI A5112)

WTBB1279

Ball Bearing - Standard Weight - Wide Throw

- Steel with steel pin (ANSI A8112)
- Wide throw
- Two ball bearings
- Non-rising removable pin with button tip and plug
- For use on medium weight doors or doors requiring medium frequency service

Hinge Size Inches (mm)	Gauge of Metal	Hole Count	Screw Size	
			Metal	Wood
3-1/2 x 3-1/2 89 x 89	0.119	6	1/2 x 10-24	1 x 9
4 x 3-1/2 102 x 89	0.129	8	1/2 x 10-24	1-1/4 x 12
4 x 4 102 x 102	0.129	8	1/2 x 12-24	1-1/4 x 12
4-1/2 x 4 114 x 102	0.134	8	1/2 x 12-24	1-1/4 x 12
4-1/2 x 4-1/2 114 x 114	0.134	8	1/2 x 12-24	1-1/4 x 12
5 x 4 127 x 102	0.145	8	1/2 x 12-24	1-1/4 x 12
5 x 4-1/2 127 x 114	0.145	8	1/2 x 12-24	1-1/4 x 12
5 x 5 127 x 127	0.145	8	1/2 x 12-24	1-1/4 x 12
5 x 4-1/2 152 x 114	0.160	10	1/2 x 1/4-20	1-1/2 x 14
5 x 5 152 x 127	0.160	10	1/2 x 1/4-20	1-1/2 x 14
5 x 6 152 x 152	0.160	10	1/2 x 1/4-20	1-1/2 x 14

Note: Optional concealed bearings available, see page 5 for options.

Hinge Size Inches (mm)	Gauge of Metal	Hole Count	Screw Size	
			Metal	Wood
3-1/2 x 5 89 x 127	0.119	6	1/2 x 10-24	1 x 9
3-1/2 x 6 89 x 152	0.119	6	1/2 x 10-24	1 x 9
4 x 5 102 x 127	0.129	8	1/2 x 12-24	1-1/4 x 12
4 x 6 102 x 152	0.129	8	1/2 x 12-24	1-1/4 x 12
4 x 7 102 x 178	0.129	8	1/2 x 12-24	1-1/4 x 12
4-1/2 x 5 114 x 127	0.134	8	1/2 x 12-24	1-1/4 x 12
4-1/2 x 6 114 x 152	0.134	8	1/2 x 12-24	1-1/4 x 12
4-1/2 x 7 114 x 178	0.134	8	1/2 x 12-24	1-1/4 x 12
4-1/2 x 8 114 x 203	0.134	8	1/2 x 12-24	1-1/4 x 12
5 x 6 127 x 152	0.145	8	1/2 x 12-24	1-1/4 x 12
5 x 7 127 x 178	0.145	8	1/2 x 12-24	1-1/4 x 12
5 x 8 127 x 203	0.145	8	1/2 x 12-24	1-1/4 x 12

SHOP DRAWING REVIEW

- REVIEWED
- REVIEWED AS NOTED
- REVISE AND RESUBMIT



"This review is for the sole purpose of ascertaining conformance with the general design concept for architectural features only, and does not in any way constitute review of the design of engineering elements which form part of the Contract Documents prepared by others. This review shall not mean that the Architect approves the detail design inherent in the shop drawings. This responsibility shall remain with the Contractor submitting same, and such review shall not relieve the Contractor of his responsibility for errors or omissions in the shop drawings or of his responsibility for meeting all requirements of the Contract Documents. The Contractor is responsible for dimensions to be confirmed and correlated at the job site, for information that pertains solely to fabrication processes, or to techniques of construction and installation and for co-ordination for the work of all trades."

By: Doug van den Ham Date: October 26, 2018
HOBIN ARCHITECTURE INCORPORATED



Merlin Door Systems Ltd.
29 Celopatra Drive
Ottawa, ON, K2G 0B6

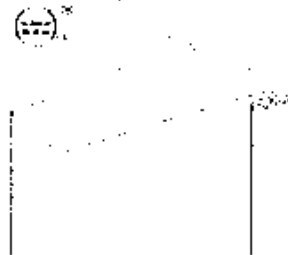
Dovercourt Phase 2 Addition & Renovation
411 Dovercourt, Ottawa
Job No. X-313

Submission Date: August 28, 2018



SPECIFICATIONS

- Material: Aluminum 6063-T6
- Clearance: 5/16" (8 mm) hinge side plus standard lockside clearance
- Fasteners: Drill-Kwik® screws
- LL Fasteners: 1/2 Drill-Kwik® screws, 1/2 wood screws
- Length Options: Standard and custom lengths available
- Door/Frame Reinforcement: None required to 200 lbs., heavier weight use 16-gauge channel
- Optional Fire Rating: Up to 3-hour metal and 90 minute wood composite (with studs)
- Notes: See additional fire rating details on page 3



FEATURES

- Standard duty for medium frequency doors. Heavy duty for high frequency doors or heavy, medium frequency doors.
- Lead lined for hospital x-ray room doors with double row of screws to straddle lead (Specify "LL")
- Framing Leaf alignment ribs for proper hinge and door location

SHOP DRAWING REVIEW

- REVIEWED
- REVIEWED AS NOTED
- REVISE AND RESUBMIT

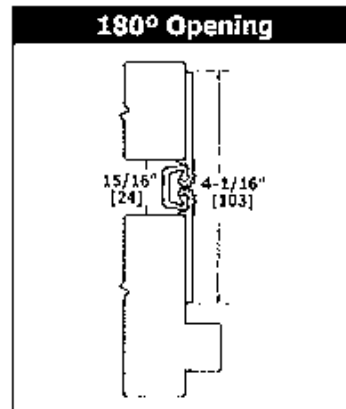
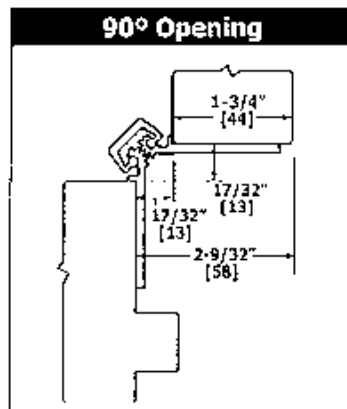
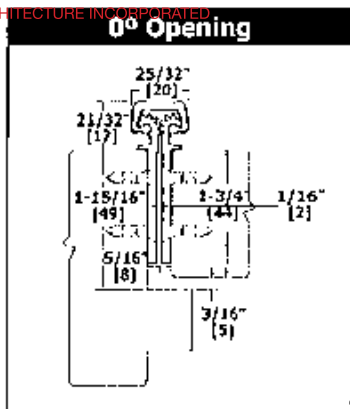


"This review is for the sole purpose of ascertaining conformance with the general design concept for architectural features only, and does not in any way constitute review of the design of engineering elements which form part of the Contract Documents prepared by others. This review shall not mean that the Architect approves the detail design inherent in the shop drawings. This responsibility shall remain with the Contractor submitting same, and such review shall not relieve the Contractor of his responsibility for errors or omissions in the shop drawings or of his responsibility for meeting all requirements of the Contract Documents. The Contractor is responsible for dimensions to be confirmed and correlated at the job site, for information that pertains solely to fabrication processes, or to techniques of construction and installation and for co-ordination for the work of all trades."

Length	Fastener Count	# For Door			# For Jamb		
		SD	HD	LL	SD	HD	LL
79	2007	15	15	32	15	15	32
83	2108	19	19	36	19	19	36
85	2159	19	19	36	19	19	36
95	2413	20	20	42	20	20	42
119	3023	23	23	48	23	23	96

By: Doug van den Ham Date: October 26, 2018

HOBIN ARCHITECTURE INCORPORATED



Merlin Door Systems Ltd.
29 Celopatra Drive
Ottawa, ON, K2G 0B6

Dovercourt Phase 2 Addition & Renovation
411 Dovercourt, Ottawa
Job No. X-313

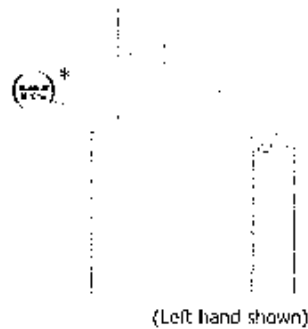
Submittal Date: August 28, 2018



780 SERIES CONCEALED LEAF - 780-224* | 780-224HD* | 780-224LL - STANDARD DUTY, HEAVY DUTY OR LEAD LINED

SPECIFICATIONS

- Material: Aluminum 6063-T6
- Clearance: 5/16" (8 mm) hinge side plus standard lockside clearance
- Fasteners: Drill-Kwik® screws
- LL Fasteners: 1/2 Drill-Kwik® screws, 1/2 wood screws
- Length Options: Standard and custom lengths available
- Door/Framing Reinforcement: None required to 200 lbs., heavier weight use 16-gauge channel
- Optional Fire Rating: Up to 3-hour metal and 90 minute wood composite (with studs)
- Notes: See additional fire rating details on page 3



FEATURES

- Standard duty for medium frequency doors. Heavy duty for high frequency doors or heavy, medium frequency doors. All for doors 1-3/4" (44 mm) thick.
- Lead lined model for hospital x-ray room doors with double row of screws to straddle lead (Specify "LL")
- Edge protection lip
- Leaf alignment rib for proper hinge and door location
- (2 mm) inset hinge and door location

SHOP DRAWING REVIEW

- REVIEWED
- REVIEWED AS NOTED
- REVISE AND RESUBMIT

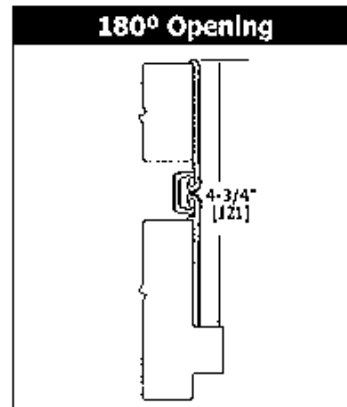
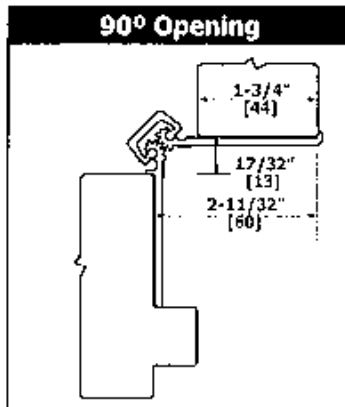
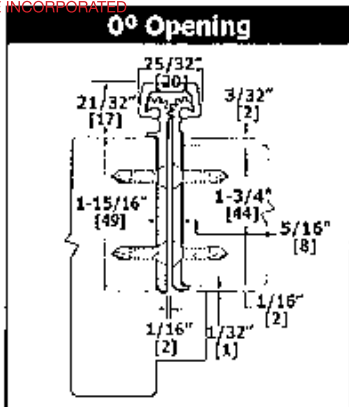


This review is for the sole purpose of ascertaining conformance with the general design concept for architectural features only, and does not in any way constitute review of the design of engineering elements which form part of the Contract Documents prepared by others. This review shall not mean that the Architect approves the detail design inherent in the shop drawings. This responsibility shall remain with the Contractor submitting same, and such review shall not relieve the Contractor of his responsibility for errors or omissions in the shop drawings or of his responsibility for meeting all requirements of the Contract Documents. The Contractor is responsible for dimensions to be confirmed and correlated at the job site, for information that pertains solely to fabrication processes, or to techniques of construction and installation and for co-ordination for the work of all trades."

By: Doug van den Ham Date: October 26, 2018

Length	Fastener Count	# For Door			# For Jamb		
		SO	HD	LL	SO	HD	LL
79	2007	15	15	32	15	15	32
83	2108	19	19	36	19	19	36
85	2159	19	19	36	19	19	36
95	2413	20	20	42	20	20	42
119	3023	23	23	48	23	23	48

HOBIN ARCHITECTURE INCORPORATED



GENERAL INFORMATION

Door Handing

Hager Companies' surface door closers are all non-handed, meaning they can be placed on a door so that they will operate a left-opening or a right-opening door. Some of the accessories that can be ordered with these closers are handed and the hand of the door should be specified when ordering a closer with these components.

Closer Sizing

The American National Standards Institute (ANSI) has set the standard for sizing and has ensured that each manufacturer's closers are tested to the same standards. The door closer sizing chart on page 4 shows the closer size required to fit your door size and application.

Meeting ADA Requirements

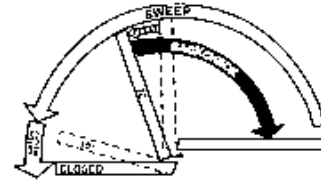
Doors and doorways that are non-labeled and part of an accessible route shall comply with Section 404 of the ANSI 117.1 standard. Door closers shall be adjusted so that from the open position of 90°, the time required to move the door to an open position of 12° shall be 5 seconds minimum. The maximum force for pushing open or pulling open an interior hinged door (other than a fire door) is five pounds.

Fire Doors

Fire doors shall have the minimum opening force allowable by the appropriate authority having jurisdiction.

Closer Adjustment

All Hager Companies' door closers are equipped with key control valves that allow for easy adjustments while decreasing the chances for tampering.



Sweep and Latching Speeds

Two separate valves control the closing speed of the door. The sweep speed controls the speed of the door from full opening to within approximately 2° to 10° of the closed position. The latching speed valve controls the speed of the door from approximately 2° to 10° to full closing.

Backcheck

Backcheck starts at approximately 70° door opening and slows the door as it opens. This feature is not to be used as a positive stop. An auxiliary stop must be used.

Delayed Action

The delayed action feature is available for the 5100, 5200 and 5300 Series closers. The closing time between 90° and 70° shall be a minimum of 20 seconds, but is adjustable to be even slower.

Adjustable Spring Feature

The 5100, 5200 and 5300 Series closers offer an adjustable spring feature for sizes 1-6. Spring power of the closer can be increased or decreased by turning the power adjustment shaft clockwise.

Use of Door Stops

It is important to use an auxiliary door stop in order to protect the wall, trim, door, and closer. A stop should be used even when a closer with backcheck is used.

How to Select the Proper Closer

1. **Size and Weight of Door:** 5100, 5200 and 5300 Series closers are non-sized so that closing force can be adjusted in the field to accommodate various door sizes, weights, and applications.
2. **Interior Application:** Where possible, the standard regular arm application should be used as it is the most efficient in terms of power and control.
3. **Exterior Application:** Exterior doors require greater closing forces because of draft and wind conditions. Therefore, where possible, use an extra heavy duty arm for these applications.
4. **Degree of Opening:** The closer should permit the door to open far enough to allow for easy traffic flow. The selection of the proper arm and position on the door are very important.
5. **Function:** Closers can be equipped with special arms that can serve many functions such as hold open, positive stop, or hold open stop when necessary.
6. **Abusive Environment:** Closers can be equipped with extra heavy duty arms that can withstand vandalism and extreme use.

5100 Series

HAGER
COMPANIES

5100 Series Closers are heavy duty door closers constructed of cast iron to be installed on exterior and interior doors that are subject to high use and potential abuse. They are designed and engineered for reliability and superior performance. The commercial applications ideal for these closers include schools, medical facilities, institutions and hospitals as well as office buildings and any entrance door with high foot traffic.

5100 Series Closers have a full rack and pinion operation, with a heat treated steel piston and triple heat treated steel spindle. The closers are non-handed to permit installation on doors of either hand. The sizing is adjustable from size 1 through size 6. These design features make this closer the ideal choice for doors with a maximum weight of 330 lbs.

SHOP DRAWING REVIEW

REVIEWED



REVIEWED AS NOTED



REVISE AND RESUBMIT



"This review is for the sole purpose of ascertaining conformance with the general design concept for architectural features only, and does not in any way constitute review of the design of engineering elements which form part of the Contract Documents prepared by others. This review shall not mean that the Architect approves the detail design inherent in the shop drawings. This responsibility shall remain with the Contractor submitting same, and such review shall not relieve the Contractor of his responsibility for errors or omissions in the shop drawings or of his responsibility for meeting all requirements of the Contract Documents. The Contractor is responsible for dimensions to be confirmed and correlated at the job site, for information that pertains solely to fabrication processes, or to techniques of construction and installation and for co-ordination for the work of all trades."

By: Doug van den Ham Date: October 26, 2018
HOBIN ARCHITECTURE INCORPORATED



2016
www.hagerco.com

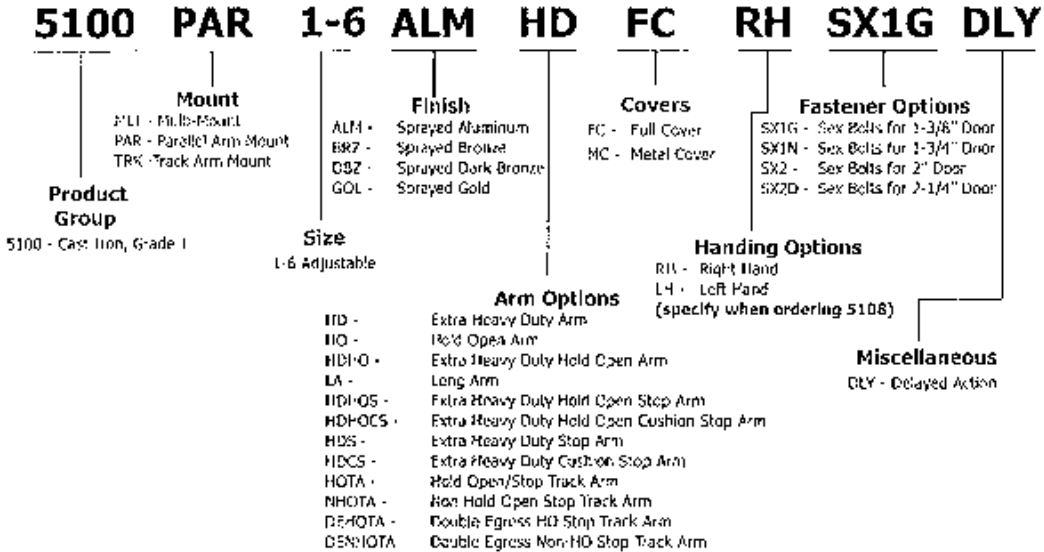
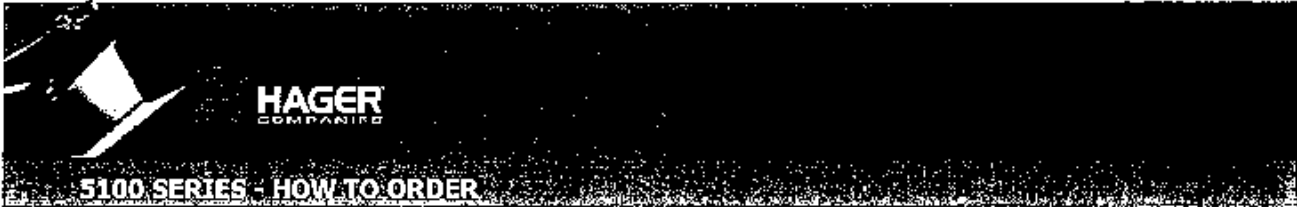
5

MERLIN
DOOR
Systems
Ltd.

Merlin Door Systems Ltd.
29 Celopatra Drive
Ottawa, ON, K2G 0B6

Dovercourt Phase 2 Addition & Renovation
411 Dovercourt, Ottawa
Job No. X-313

Submittal Date: August 28, 2018



SHOP DRAWING REVIEW

- REVIEWED
- REVIEWED AS NOTED
- REVISE AND RESUBMIT



"This review is for the sole purpose of ascertaining conformance with the general design concept for architectural features only, and does not in any way constitute review of the design of engineering elements which form part of the Contract Documents prepared by others. This review shall not mean that the Architect approves the detail design inherent in the shop drawings. This responsibility shall remain with the Contractor submitting same, and such review shall not relieve the Contractor of his responsibility for errors or omissions in the shop drawings or of his responsibility for meeting all requirements of the Contract Documents. The Contractor is responsible for dimensions to be confirmed and correlated at the job site, for information that pertains solely to fabrication processes, or to techniques of construction and installation and for co-ordination for the work of all trades."

By: Doug van den Ham Date: October 26, 2018
HOBIN ARCHITECTURE INCORPORATED



Merlin Door Systems Ltd.
29 Celopatra Drive
Ottawa, ON, K2G 0B6

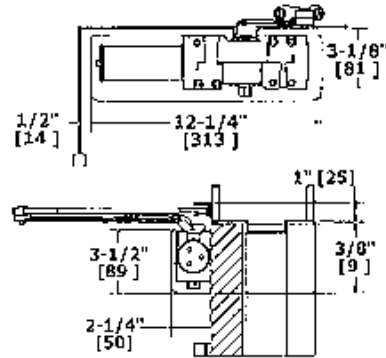
Dovercourt Phase 2 Addition & Renovation
411 Dovercourt, Ottawa
Job No. X-313

Submittal Date: August 28, 2018

5100 SERIES - APPLICATIONS

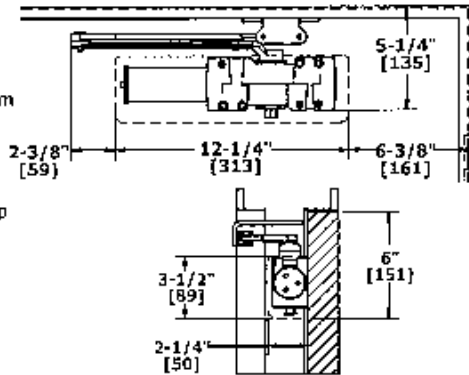
REGULAR ARM MOUNT (PULL SIDE)

- Opening: Templating allows up to 120°
- Hold Open: Hold open points from 90° up to 120° with hold open arm
- Frame Face: 1-1/4" (32 mm) minimum
- Ceiling Clearance: 1-1/4" (32 mm) minimum
- Top Rail:
 - Less than 3-3/4" (95 mm) requires drop plate, 5109
 - Drop plate requires 2" (51 mm) minimum
- Top Rail Clearance: 4" (102 mm) from the top of door



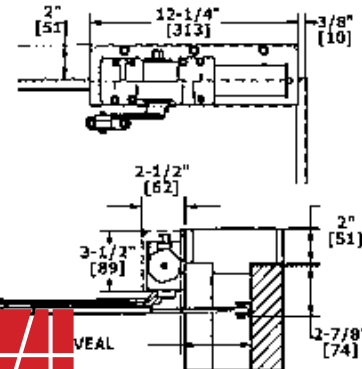
PARALLEL ARM MOUNT (PUSH SIDE)

- Opening: Templating allows up to 180°
- Hold Open: Hold open points from 90° up to 180° with hold open arm
- Top Rail:
 - Standard hollow metal 5/8" frame stop
 - Less than 5-1/2" (140 mm) from the stop requires drop plate, 5110
 - Drop plate requires 2" (51 mm) minimum from the stop
- Top Rail Clearance: 6-1/4" (159 mm) from the top of door



TOP JAMB MOUNT (PUSH SIDE)

- Opening: Templating allows up to 120°
- Hold Open: Hold open points 85° up to 120° with hold open arm
- Frame Face: Less than 3-1/2" (89 mm) requires drop plate, 5115
- Ceiling Clearance: Drop plate requires 4" (102 mm) minimum
- Top Rail: Requires 1-3/8" (35 mm) minimum
- Top Rail Clearance: 1-1/2" (38 mm) from the top of the door



SHOP DRAWING REVIEW

- REVIEWED
- REVIEWED AS NOTED
- REVISE AND RESUBMIT



"This review is for the sole purpose of ascertaining conformance with the general design concept for architectural features only, and does not in any way constitute review of the design of engineering elements which form part of the Contract Documents prepared by others. This review shall not mean that the Architect approves the detail design inherent in the shop drawings. This responsibility shall remain with the Contractor submitting same, and such review shall not relieve the Contractor of his responsibility for errors or omissions in the shop drawings or of his responsibility for meeting all requirements of the Contract Documents. The Contractor is responsible for dimensions to be confirmed and verified at the job site, for information that pertains solely to fabrication processes, or to techniques of construction and installation and for co-ordination for the work of all trades."

2016
www.hagerco.com



Merlin Door Systems Ltd.
29 Celopatra Drive
Ottawa, ON, K2G 0B6

By: Doug van den Ham Date: October 26, 2018
HOBIN ARCHITECTURE INCORPORATED

Dovercourt Phase 2 Addition & Renovation
411 Dovercourt, Ottawa
Job No. X-313

Submittal Date: August 28, 2018



5100 SERIES - GRADE 1 HEAVY DUTY SURFACE DOOR CLOSER

WARRANTY : Lifetime warranty - 330 lbs. maximum door weight

FEATURES :

- Ideal for schools, hospitals, and other high-use environments
- Standard package contains 5101 closer body, 5102 closer cover, 5103 main arm assembly, 5104 standard screw pack, 5909 parallel arm bracket, and 5940 SSB screw pack for 1-3/4" (44 mm) doors

Certification:

- BHMA Certified ANSI A156.4, adjustable sizes 1 to 6
- ADA Compliant ANSI A117.1 Accessibility Code
- UL/cUL listed for up to 3 hours
- UL10C Positive Pressure Rated
- UL10B Neutral Pressure Rated

Covers:

- Full plastic cover - Standard
- Plated metal cover - Optional

Closer Body:

- Cast iron
- The recommended temperature for prolonged use is between -40° F (-42° C) & 150° F (66° C)

Springs:

- One piece seamless steel spring tube
- Double heat treated steel, tempered springs

Valves:

- Adjustable latching and sweep speed valves
- Adjustable backcheck valve - Standard
- **Delayed action valve - Optional**
- Staked valves - Standard

Handing: Non-handed

Arms & Brackets: Tri-Pack: Regular, Parallel Arm, Top Jamb Mount - Standard

SPECIFICATIONS

Door Thickness:

- 1-3/4" (44 mm) - Standard
- 1-3/8" - 2-1/4" (36 mm - 57 mm) thick door - Optional

Fasteners:

- Self-reaming, self-tapping wood and machine screws
- Sex nuts and bolts

Notes:

- Full rack and pinion operation
- Precision machined, heat treated steel piston
- Triple heat treated steel spindle
- Special templates available upon request by contacting Hager Companies Customer Service

FINISHES

- ALM, BRZ, DBZ, GOL
- Rust inhibiting primer - Standard



SHOP DRAWING REVIEW

REVIEWED

REVIEWED AS NOTED

REVISE AND RESUBMIT



"This review is for the sole purpose of ascertaining conformance with the general design concept for architectural features only, and does not in any way constitute review of the design of engineering elements which form part of the Contract Documents prepared by others. This review shall not mean that the Architect approves the detail design inherent in the shop drawings. This responsibility shall remain with the Contractor submitting same, and such review shall not relieve the Contractor of his responsibility for errors or omissions in the shop drawings or of his responsibility for meeting all requirements of the Contract Documents. The Contractor is responsible for dimensions to be confirmed and correlated at the job site, for information that pertains solely to fabrication processes, or to techniques of construction and installation and for co-ordination for the work of all trades."

By: Doug van den Ham Date: October 26, 2018
HOBIN ARCHITECTURE INCORPORATED



Merlin Door Systems Ltd.
29 Celopatra Drive
Ottawa, ON, K2G 0B6

Dovercourt Phase 2 Addition & Renovation
411 Dovercourt, Ottawa
Job No. X-313

Submission Date: August 28, 2018

5100 SERIES - ARMS

5103

Main Arm

- Non-handed
- Forged steel
- Mounts regular, parallel arm, or top jamb mount
- Add 5909 bracket for parallel arm mount

5125

Extra Heavy Duty Stop Arm

- Non-handed parallel arm
- Forged steel
- Auxiliary stop in soffit shoe

5106

Extra Heavy Duty Arm

- Non-handed parallel arm
- Forged steel

5954

Extra Heavy Duty Hold Open Cushion Stop Arm

- Non-handed parallel arm
- Forged steel
- Plunger hold open function
- Contains 5961 arm and 5950 spring cushion
- Not for use on fire-rated doors

5107

Hold Open Arm

- Non-handed
- Forged steel
- Mounts pull side or top jamb with shallow reveal
- Friction hold open function
- Add 5909 bracket for parallel arm mount

5955

Extra Heavy Duty Cushion Stop Arm

- Non-handed parallel arm
- Forged steel
- Contains 5125 arm and 5950 spring cushion

5108

Extra Heavy Duty Hold Open

- Handed parallel arm (specify handing when ordering)
- Forged steel
- Provides friction hold open function
- Adjustable at the shoe
- Not for use on fire-rated doors

SHOP DRAWING REVIEW

REVISION

REVIEWED AS NOTED

REVISE AND RESUBMIT

5961

Extra Heavy Duty Hold Open Stop Arm

- Non-handed parallel arm
- Forged steel
- Auxiliary stop in soffit shoe
- Plunger hold open function
- Not for use on fire-rated doors

"This review is for the sole purpose of ascertaining conformance with the design concept for architectural features only, and does not in any way constitute a review of the design of engineering elements which form part of the Contract Documents prepared by others. This review shall not mean that the Architect approves the detail design inherent in the shop drawings. This responsibility shall remain with the Contractor submitting same, and such review shall not relieve the Contractor of his responsibility for errors or omissions in the shop drawings or of his responsibility for meeting all requirements of the Contract Documents. The Contractor is responsible for dimensions to be confirmed and correlated at the job site, for information that pertains solely to fabrication processes, or to techniques of construction and installation and for co-ordination for the work of all trades."

By: Doug van den Ham Date: October 26, 2018

HOBIN ARCHITECTURE INCORPORATED

Functions:

Non Hold Open Stop Arms

- 2-659-0187 - ALM
- 2-659-0188 - BRZ
- 2-659-0189 - DBZ
- 2-659-0190 - GOL

Double Egress Non Hold Open Stop Arms

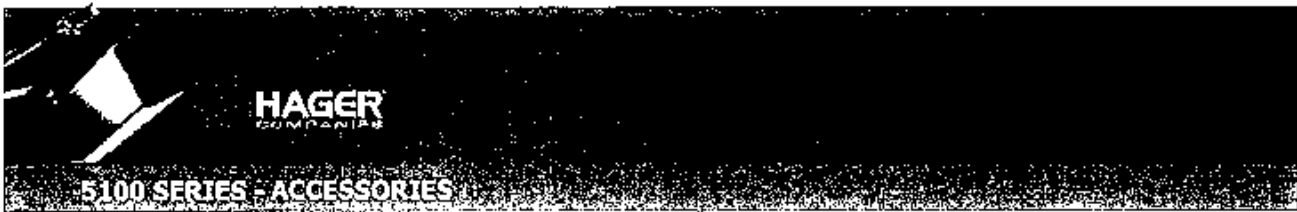
- 2-659-0203 - ALM
- 2-659-0204 - BRZ
- 2-659-0205 - DBZ
- 2-659-0206 - GOL

Hold Open Stop Arms

- 2-659-0195 - ALM
- 2-659-0196 - BRZ
- 2-659-0197 - DBZ
- 2-659-0198 - GOL

Double Egress Hold Open Stop Arms

- 2-659-0207 - ALM
- 2-659-0208 - BRZ
- 2-659-0209 - DBZ
- 2-659-0210 - GOL



5101
Closer Body Only
 • Cast iron
 • Heat treated steel spindle and piston
 • Full rack and pinion operation

5102
Plastic Cover
 • Cover projects 2-1/4" (57 mm) from door face
 • High impact non-corrosive full cover
 • Secured by two machine screws

5109
Drop Plate - Regular Arm Mount
 • Required for pull side mount when top rail is less than 3-3/4" (95 mm)
 • Plate requires 2" (51 mm) minimum top rail
 • Includes screw pack

5110
Drop Plate - Parallel Arm Mount
 • Required for parallel arm mount when top rail is less than 5-1/2" (140 mm), measured from the stop to the reveal
 • Plate requires 2-1/2" (6 mm) minimum top rail
 • Includes screw pack

5111
Extra Heavy Duty Parallel Arm Support Bracket
 • For use with stop arms when reveal is less than 3-1/16" (78 mm)
 • Provides anchor for fifth screw

5112
Long Rod and Shoe
 • Non-handed
 • Use for door reveals greater than 3" (76 mm) and up to 5" (127 mm)
 • Cast steel
 • Use for top jamb application

5113
Blade Stop Spacer
 • Required to lower parallel arm shoe to clear 1/2" (13 mm) blade stop of aluminum frames
 • Includes screw pack

5114
Drop Plate - Low Clearance
 • For use when ceiling clearance prevents normal top jamb mounting
 • For use when overhead door holder prevents normal top jamb mounting
 • Includes screw pack

5115
Drop Plate - Top Jamb Mount
 • Plate requires 1-3/4" (44 mm) minimum frame face
 • Required for top jamb when frame face is less than 3-1/2" (89 mm)
 • For use with plastic cover
 • Includes screw pack

5909
Parallel Arm Bracket
 • Can be used to convert regular or top jamb arm to parallel arm application
 • Includes screw pack

5935
Extra Clearance Parallel Arm Bracket
 • Allows for up to 2" (51 mm) of clearance to mount additional hardware such as overhead door stops and holders
 • Provides needed clearance not achieved with standard soffit plate
 • Includes screw pack

5950
Spring Cushion
 • Non-handed
 • Mounts to soft close cups 5125, 5901, 5906, and 5908
 • For use with extra heavy duty hold open and stop arms for abusive applications

5962
Metal Cover
 • Cover projects 2-1/4" (56 mm) from door face
 • Cast zinc
 • Secured by two machine screws

SHOP DRAWING REVIEW
 REVIEWED
 REVIEWED AS NOTED
 REVISE AND RESUBMIT



This review is for the sole purpose of ascertaining conformance with the general design of engineering elements which form part of the Contract Documents prepared by others. This review shall not mean that the Architect approves the detail design inherent in the shop drawings. Responsibility shall remain with the Contractor submitting same, to relieve the Contractor of his responsibility for meeting all requirements of the Contract Documents. The Contractor is responsible for dimensions to be confirmed and corrected at the job site, for information that pertains solely to fabrication processes, or to techniques of construction and installation and for co-ordination for the work of all trades.

By: Doug van den Ham Date: October 26, 2018
 HOBIN ARCHITECTURE INCORPORATED



Merlin Door Systems Ltd.
 29 Celopatra Drive
 Ottawa, ON, K2G 0B6

Dovercourt Phase 2 Addition & Renovation
 411 Dovercourt, Ottawa
 Job No. X-313

Submittal Date: August 28, 2018

Overhead Door Holders & Stops

HAGER
COMPANIES

Because Hager Companies is committed to providing our customers with a full line of door hardware, we offer both a heavy duty and standard duty option in our overhead door holders and stops product line. They are mounted at the top of the door to eliminate tripping hazards and vandalism that are typical of floor or wall mounted stops. The purpose of the overhead door holders is to absorb the abusive shock with a heavy duty spring. They evenly distribute the load and impact along the entire track of the unit. Overhead door holders and stops are compatible with a variety of door closers and are ideal for meeting the demands of high traffic areas.

Hager Companies overhead door holders and stops have been engineered and designed to meet the requirements of many door applications. The streamlined channel design along with the adjustment arm accommodates various door sizes and applications. The adjustable arms simplify the selection by combining door width ranges into only two sizes of overhead door holders and stops. This feature makes installation simple and minimally impacts a customer's inventory.



SHOP DRAWING REVIEW

REVIEWED
 REVIEWED AS NOTED
 REVISE AND RESUBMIT



"This review is for the sole purpose of ascertaining conformance with the general design concept for architectural features only, and does not in any way constitute review of the design of engineering elements which form part of the Contract Documents prepared by others. This review shall not mean that the Architect approves the detail design inherent in the shop drawings. This responsibility shall remain with the Contractor submitting same, and such review shall not relieve the Contractor of his responsibility for errors or omissions in the shop drawings or of his responsibility for meeting all requirements of the Contract Documents. The Contractor is responsible for dimensions to be confirmed and correlated at the job site, for information that pertains solely to fabrication processes, or to techniques of construction and installation and for co-ordination for the work of all trades."

By: Doug van den Ham Date: October 26, 2018
 HOBIN ARCHITECTURE INCORPORATED

2016
 www.hagerco.com

41



Merlin Door Systems Ltd.
 29 Celopatra Drive
 Ottawa, ON, K2G 0B6

Dovercourt Phase 2 Addition & Renovation
 411 Dovercourt, Ottawa
 Job No. X-313

Submission Date: August 28, 2018



OVERHEAD DOOR HOLDERS AND STOPS - METHODS OF INSTALLATION

Concealed Mounted

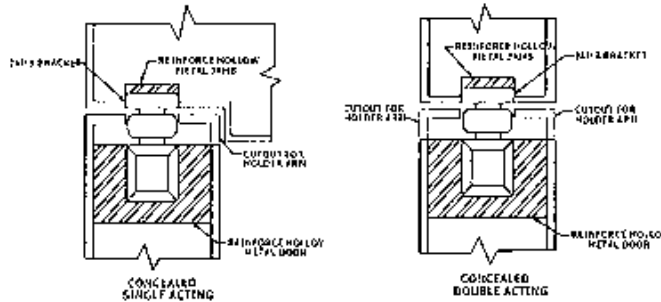
The installation of concealed overhead door holders and stops requires that the jamb bracket be mortised flush with the bottom of the jamb. The arm and channel must be mortised into the door so the arm is flush with the top of the door. Concealing the overhead door holders and stops in the top of the door creates a more attractive architectural look.

Single Acting Door

A cutout made for the arm on the stop side of the single acting door.

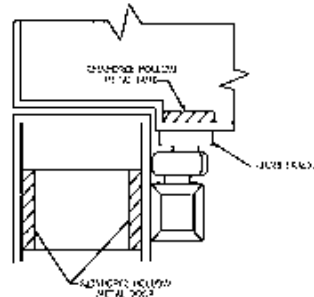
Double Acting Door

Double acting doors require a cutout for the arm on both sides of the door.



Surface Mounted

Surface mounted overhead door holder and stop installation requires the jamb bracket be surface mounted on the stop of the frame. The channel is also surface mounted on the face of the door. Hollow metal doors and jambs must be reinforced to provide necessary strength for the holder specified.



Door and Frame Reinforcement

Hollow metal frames must be properly reinforced with 3/16" (5 mm) thick plates/channels that are at least 12" (305 mm) long. Hollow metal doors must be properly reinforced with 3/16" (5 mm) plates that are at least 2-1/2" (64 mm) wide over the length of the device. Templates and installation instructions are available online at www.hagerco.com.

Selecting Degree of Hold Open or Stop

Overhead door holders and stops are designed to function effectively from 85° to 110°. The recommended minimum degree of hold open would be set at 95° to put the door lever, pull, and panic hardware beyond the flow of traffic.

When selecting the degree of hold open for doors opening against a wall or back to back, there is approximately 5° to 7° of spring engagement beyond the hold open or initial stop point, this is the dead stop.

For dead stop templating, the degree of opening should be set 5° to 7° less than the point of required dead stop to accommodate the full compression of the shock absorber.

SHOP DRAWING REVIEW

REVIEWED
 REVIEWED AS NOTED
 REVISE AND RESUBMIT



"This review is for the sole purpose of ascertaining conformance with the general design concept for architectural features only, and does not in any way constitute review of the design of engineering elements which form part of the Contract Documents prepared by others. This review shall not mean that the Architect approves the detail design inherent in the shop drawings. This responsibility shall remain with the Contractor submitting same, and such review shall not relieve the Contractor of his responsibility for errors or omissions in the shop drawings or of his responsibility for meeting all requirements of the Contract Documents. The Contractor is responsible for dimensions to be confirmed and correlated at the job site, for information that pertains solely to fabrication processes, or to techniques of construction and installation and for co-ordination for the work of all trades."

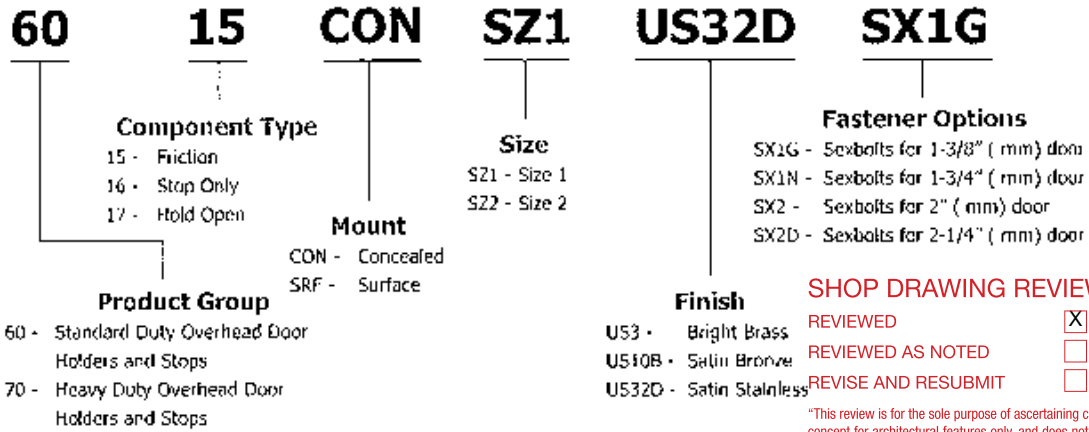
By: Doug van den Ham Date: October 26, 2018
 HOBIN ARCHITECTURE INCORPORATED



Merlin Door Systems Ltd.
 29 Celopatra Drive
 Ottawa, ON, K2G 0B6

Dovercourt Phase 2 Addition & Renovation
 411 Dovercourt, Ottawa
 Job No. X-313

Submission Date: August 28, 2018



SHOP DRAWING REVIEW

REVIEWED
 REVIEWED AS NOTED
 REVISE AND RESUBMIT



"This review is for the sole purpose of ascertaining conformance with the general design concept for architectural features only, and does not in any way constitute review of the design of engineering elements which form part of the Contract Documents prepared by others. This review shall not mean that the Architect approves the detail design inherent in the shop drawings. This responsibility shall remain with the Contractor submitting same, and such review shall not relieve the Contractor of his responsibility for errors or omissions in the shop drawings or of his responsibility for meeting all requirements of the Contract Documents. The Contractor is responsible for dimensions to be confirmed and correlated at the job site, for information that pertains solely to fabrication processes, or to techniques of construction and installation and for co-ordination for the work of all trades."

By: Doug van den Ham Date: October 26, 2018
 HOBIN ARCHITECTURE INCORPORATED

Functions

16 - Stop Only
 Concealed Mounted: ANSI CO1541
 Surface Mounted: ANSI CO2541

The stop only function provides a reliable method of door control. A shock absorbing spring stops the door. It is UL Listed for fire-rated components.

UL Classification

The stop-only models are classified by Underwriters Laboratories (UL) as Miscellaneous Fire Door Accessories. This classification applies to the use on either hollow metal fire doors or wood fire doors of any rating. The accessories have been investigated to determine that when properly installed with accordance to the manufacturer's instructions, they do not adversely affect the fire-rating of the fire door or fire door frames.

17 - Hold Open
 Concealed Mounted: ANSI CO1511
 Surface Mounted: ANSI CO2511

The hold open function provides a selective hold open function with easy to adjust tension. It may be turned on or off and includes the stop only function. It is not for use on fire-rated openings.

15 - Friction
 Concealed Mounted: ANSI CO4531
 Surface Mounted: ANSI CO5531

The multi-point friction hold open function mechanism is adjustable for resistance to door movement. It is not for use on fire-rated openings.



Merlin Door Systems Ltd.
 29 Celopatra Drive
 Ottawa, ON, K2G 0B6

Dovercourt Phase 2 Addition & Renovation
 411 Dovercourt, Ottawa
 Job No. X-313

Submittal Date: August 28, 2018



5000 Series
The grade 1,
low profile
solution for
cylindrical
locksets

5000 Series

The grade 1, low profile solution for cylindrical locksets

SHOP DRAWING REVIEW

- REVIEWED
- REVIEWED AS NOTED
- REVISE AND RESUBMIT



This review is for the sole purpose of ascertaining conformance with the general design concept for architectural features only, and does not in any way constitute review of the design of engineering elements which form part of the Contract Documents prepared by others. This review shall not mean that the Architect approves the detail design inherent in the shop drawings. This responsibility shall remain with the Contractor submitting same, and such review shall not relieve the Contractor of his responsibility for errors or omissions in the shop drawings or of his responsibility for meeting all requirements of the Contract Documents. The Contractor is responsible for dimensions to be confirmed and correlated at the jobsite, for information that pertains solely to fabrication processes, or to techniques of construction and installation and for co-ordination for the work of all trades."

By: Doug van den Ham Date: October 26, 2018
HOBIN ARCHITECTURE INCORPORATED

Shower Stall Option

The 5000 series is a compact, high performance electric strike designed for low profile openings where there is limited space behind the jamb. Its strength is derived from a unique keeper pin locking design, enabling the 5000 to exceed the ratings of the frame, door and locking hardware. This field selectable fail secure/fail safe unit is easy to install and accommodates latchbolts up to 5/8" throw.

Specifications

- UL 1034, burglary-resistant listed and suitable for outdoor use
- UL 294 (6th Edition) listed
- ANSI/BHMA A156.37, Grade 1
- MEA New York City accepted
- RoHS compliant
- Patent: 5,934,720

Frame Application

- Metal
- Wood

Electrical

- .24 Amps @ 12VDC/VAC
- .12 Amps @ 24VDC/VAC
- DC continuous duty/ AC intermittent duty only
- PoE friendly

5000 Models

5000

Universal electric strike
Faceplate options ordered separately, see page 28

5000C

Complete electric strike
includes the 500 and 501A faceplates in the box

- • Model 5000C includes a 500 and a 501A faceplate in the box



Merlin Door Systems Ltd.
29 Celopatra Drive
Ottawa, ON, K2G 0B6

Dovercourt Phase 2 Addition & Renovation
411 Dovercourt, Ottawa
Job No. X-313

Submission Date: August 28, 2018

5000/5200 Series Faceplate Options



Operation: After releasing the latch bolt, the keeper returns to the locked position



4-3/8" x 1-1/4"
Square corners and flat faceplate

501 Option

For use with: Cylindrical locksets in ANSI metal jambs

ANSI/BHMA Numbers: E3912, E3913, E3914



4-3/8" x 1-1/4"
RADIUS corners and flat faceplate

501A Option

For use with: Cylindrical locksets or spring latches in aluminum frames. Includes universal mounting tabs.

ANSI/BHMA Numbers: E3912, E3913, E3914



4-5/8" x 1-1/4"
RADIUS corners and flat faceplate

502 Option

For use with: Cylindrical locksets or spring latches in aluminum frames. Includes universal mounting tabs.

ANSI/BHMA Numbers: E3912, E3913, E3914

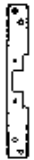


6-7/8" x 1-1/4"
RADIUS corners and flat faceplate

503 Option

For use with: Cylindrical locksets or spring latches in aluminum frames. Includes universal mounting tabs.

ANSI/BHMA Numbers: E3912, E3913, E3914



10" x 1-3/8"
RADIUS corners and flat faceplate

504 Option

For use with: Cylindrical locksets. Four-point mounting for wood installations

ANSI/BHMA Numbers: E3922, E3923, E3924



SHOP DRAWING REVIEW

REVIEWED

REVIEWED AS NOTED

REVISE AND RESUBMIT



"This review is for the sole purpose of ascertaining conformance with the general design concept for architectural features only, and does not in any way constitute review of the design of engineering elements which form part of the Contract Documents prepared by others. This review shall not mean that the Architect approves the detail design inherent in the shop drawings. This responsibility shall remain with the Contractor submitting same, and such review shall not relieve the Contractor of his responsibility for errors or omissions in the shop drawings or of his responsibility for meeting all requirements of the Contract Documents. The Contractor is responsible for dimensions to be confirmed and correlated at the job site, for information that pertains solely to fabrication processes, or to techniques of construction and installation and for co-ordination for the work of all trades."

By: Doug van den Ham Date: October 26, 2018



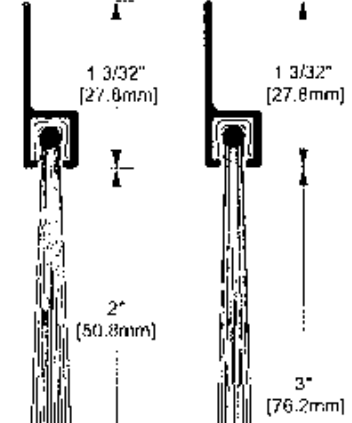
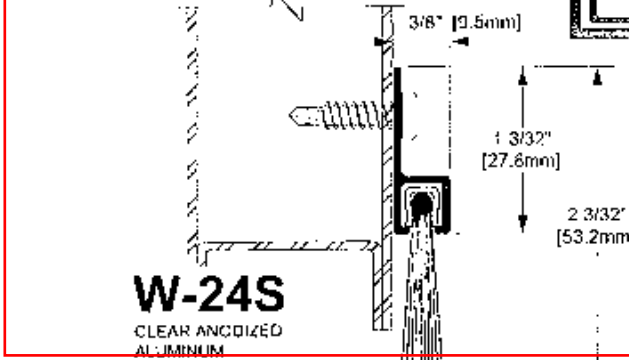
Merlin Door Systems Ltd.
29 Celopatra Drive
Ottawa, ON, K2G 0B6

Dovercourt Phase 2 Addition & Renovation
411 Dovercourt, Ottawa
Job No. X-313

Submission Date: August 28, 2018



ALL PRODUCTS ON THIS PAGE



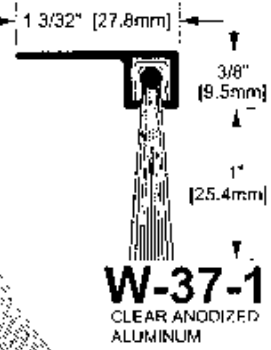
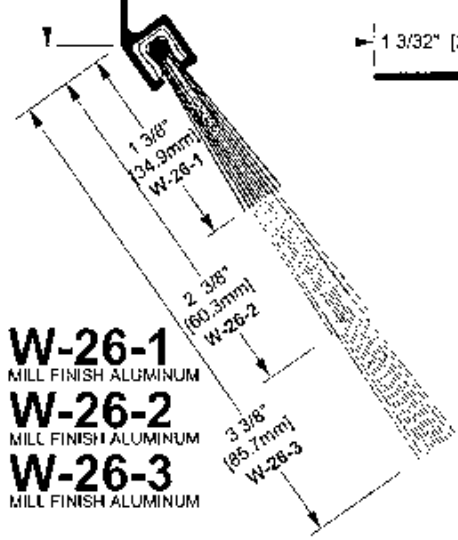
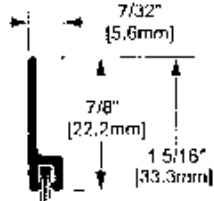
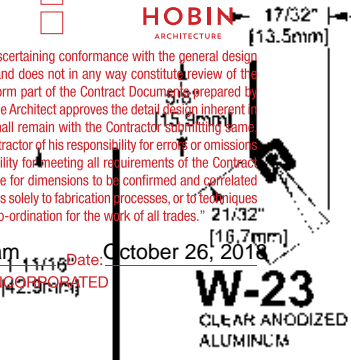
SHOP DRAWING REVIEW

- REVIEWED
- REVIEWED AS NOTED
- REVISE AND RESUBMIT



"This review is for the sole purpose of ascertaining conformance with the general design concept for architectural features only, and does not in any way constitute a review of the design or engineering elements which form part of the Contract Documents prepared by others. This review shall not mean that the Architect approves the detail design inherent in the shop drawings. This responsibility shall remain with the Contractor submitting same and such review shall not relieve the Contractor of his responsibility for errors or omissions in the shop drawings or of his responsibility for meeting all requirements of the Contract Documents. The Contractor is responsible for dimensions to be confirmed and correlated at the job site, for information that pertains solely to fabrication processes, or to techniques of construction and installation and for co-ordination for the work of all trades."

By: Doug van den Ham Date: October 26, 2018
HOBIN ARCHITECTURE INCORPORATED



100% CANADIAN OWNED AND OPERATED

www.knopro.com



Merlin Door Systems Ltd.
29 Celopatra Drive
Ottawa, ON, K2G 0B6

Dovercourt Phase 2 Addition & Renovation
411 Dovercourt, Ottawa
Job No. X-313

Submittal Date: August 28, 2018

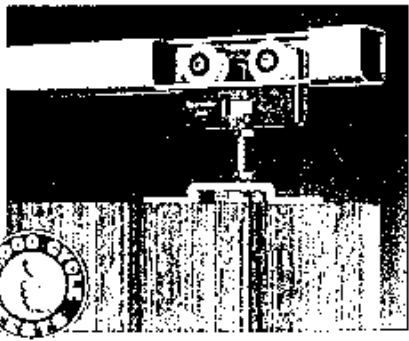
SINGLE TRACK SYSTEMS

MEDIUM TO LIGHT DUTY

C-411 HANGER C-411 TRACK

Quick Release "Spinwheel" Hanger
For Single or Bi-Parting Face Mounted Doors.
An essential safety feature for Nursing Homes and Hospitals. The Quick Release Hanger with four Precision ball bearing nylon tire wheels, allows for fast and easy door removal from the outside (eg: when a patient in distress in a washroom requires immediate assistance). Levelling and height adjustment can be accomplished by one person during door installation without the use of tools.

- Use with Extruded Aluminum C-411 Track, 6063T5 Alloy
- Load Capacity 150 lbs. (two hangers)

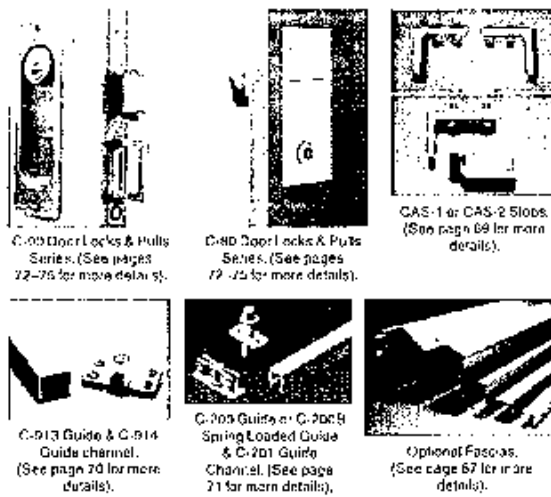


C-411 COMPLETE KIT FOR 1 DOOR

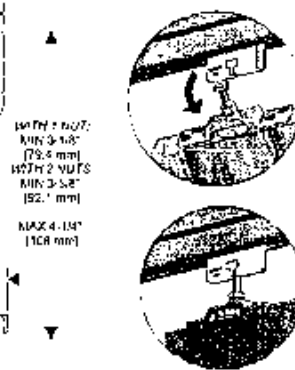
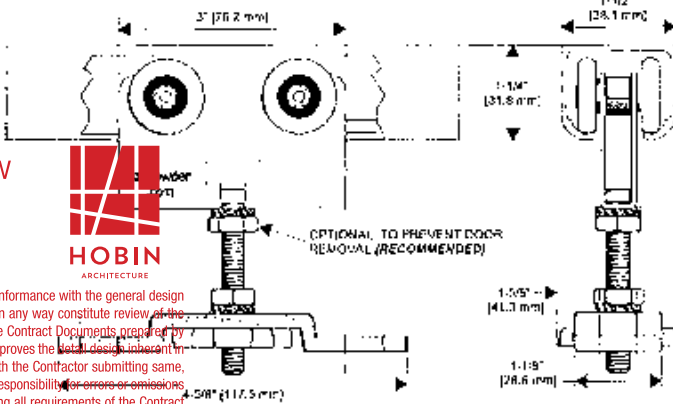
COMPLETE KITS AVAILABLE FOR 24" (610MM) TO 72" (1829MM) WIDE DOORS. FOR BYPASSING DOOR APPLICATIONS USE TWO COMPLETE KITS

- 1- C-411 TRACK
LENGTH 2 X DOOR WIDTH
(EXAMPLE: 36" (914MM) DOOR -
72" (1829MM) TRACK)
- 2- C-411 HANGERS COMPLETE WITH
SCREWS
- 2- C-1202 FLOOR GUIDES COMPLETE
WITH SCREWS
- 1- C-411 IN-TRACK STOP & CATCH
COMPLETE WITH SCREWS

OPTIONAL PRODUCTS



C-411 HANGER WITH C-411 TRACK DETAILS



MIN 2-1/2" (79.4 mm)
MIN 2-1/2" (63.5 mm)
MAX 4-1/4" (108 mm)

A PRODUCT OF X. N. CROWDER MFG. INC.

47

SHOP DRAWING REVIEW

- REVIEWED
- REVIEWED AS NOTED
- REVISE AND RESUBMIT



"This review is for the sole purpose of ascertaining conformance with the general design concept for architectural features only, and does not in any way constitute review of the design of engineering elements which form part of the Contract Documents prepared by others. This review shall not mean that the Architect approves the detail design inherent in the shop drawings. This responsibility shall remain with the Contractor submitting same, and such review shall not relieve the Contractor of his responsibility for errors or omissions in the shop drawings or of his responsibility for meeting all requirements of the Contract Documents. The Contractor is responsible for dimensions to be confirmed and correlated at the job site, for information that pertains solely to fabrication processes, or to techniques of construction and installation and for co-ordination for the work of all trades."

By: Doug van den Ham Date: October 26, 2018
HOBIN ARCHITECTURE INCORPORATED



Merlin Door Systems Ltd.
29 Celopatra Drive
Ottawa, ON, K2G 0B6

Dovercourt Phase 2 Addition & Renovation
411 Dovercourt, Ottawa
Job No. X-313

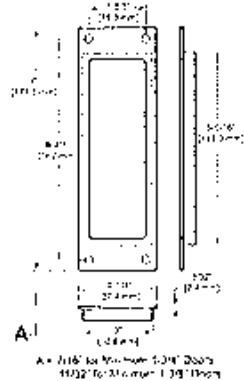
Submission Date: August 28, 2018

SLIDING DOOR HARDWARE

HEAVY-DUTY DOOR LOCKS AND PULLS

new

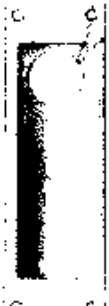
C-90 SERIES FLUSH PULLS



STANDARD FLUSH PULLS are for 1-3/4" (44.5mm) doors. For doors that are 1-3/8" (34.9mm) please specify 138 after the product number, (eg. C-90E-138). For doors that are 2-1/4" (57.2mm) please specify 214 after the product number (eg. C-90E-214).



C-90B - Blank Flush Pull



C-90C - Flush Pull with Cylinder hole supplied with Cylinder: 1" (25.4mm) Diameter hole x 1" (25.4mm) depth. 5-PIN Schrage "C" Key way.



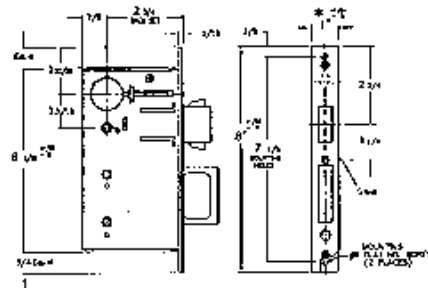
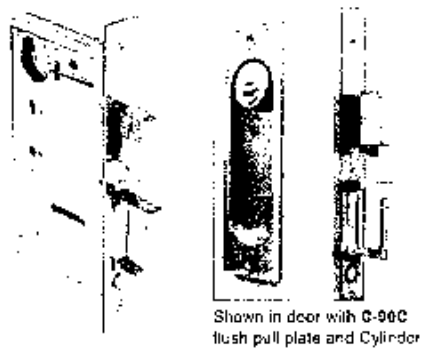
C-90E - Flush pull with Emergency Turn Screw



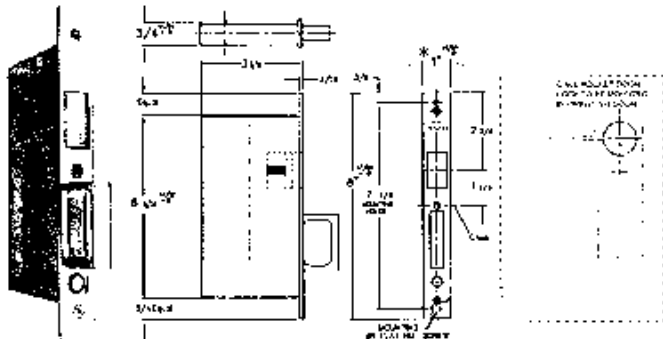
C-90T - Flush Pull with Thumb Turn

See chart on page 72 for available finishes

C-90L DOOR LOCK AND PULL

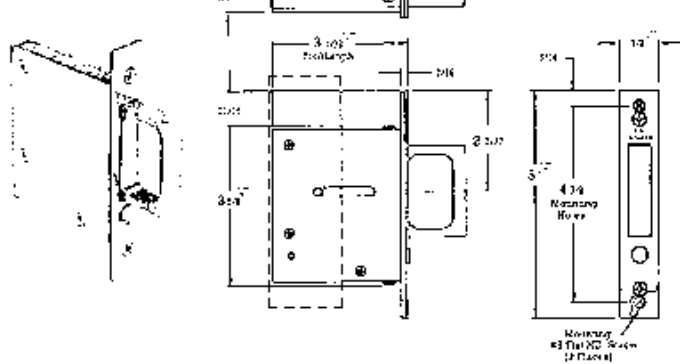


C-90S DOOR STRIKE WITH PULL



To be used with C-90L door lock and pull for Bi-parting doors

C-91 DOOR EDGE PULL



FOR MORE DETAILS AND TEMPLATES PLEASE VISIT OUR WEBSITE: www.kncrowder.com

www.kncrowder.com

SHOP DRAWING REVIEW

- REVIEWED
- REVIEWED AS NOTED
- REVISE AND RESUBMIT



A PRODUCT OF K. N. CROWDER MFG. INC.



Merlin Door Systems Ltd.
29 Celopatra Drive
Ottawa, ON, K2G 0B6

"This review is for the sole purpose of ascertaining conformance with the general design of architectural features only, and does not in any way constitute review of the design of engineering elements which form part of the Contract Documents prepared by others. This review shall not mean that the Architect approves the detail design inherent in these drawings. This responsibility shall remain with the Contractor submitting same, and such review shall not relieve the Contractor of his responsibility for errors or omissions in the shop drawings or of his responsibility for meeting all requirements of the Contract Documents. The Contractor is responsible for dimensions to be confirmed and correlated at the job site, for information that pertains solely to fabrication processes, or to techniques of construction and installation and for co-ordination of the work of all trades."

Dovercourt Phase 2 Addition & Renovation
411 Dovercourt, Ottawa
Job No. X-313

Submittal Date: August 28, 2018

SHOP DRAWING REVIEW

- REVIEWED
- REVIEWED AS NOTED
- REVISE AND RESUBMIT



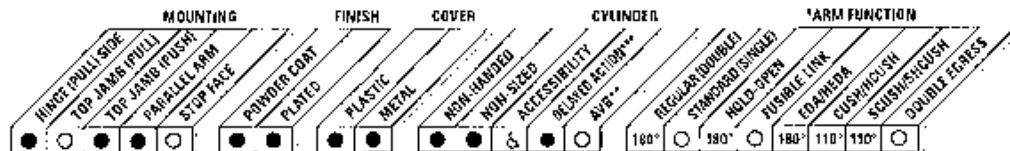
"This review is for the sole purpose of ascertaining conformance with the general design concept for architectural features only, and does not in any way constitute review of the design of engineering elements which form part of the Contract Documents prepared by others. This review shall not mean that the Architect approves the detail design inherent in the shop drawings. This responsibility shall remain with the Contractor submitting same, and such review shall not relieve the Contractor of his responsibility for errors or omissions in the shop drawings or of his responsibility for meeting all requirements of the Contract Documents. The Contractor is responsible for dimensions to be confirmed and correlated at the job site, for information that pertains solely to fabrication processes, or to techniques of construction and installation and for co-ordination for the work of all trades."

By: Doug van den Ham Date: October 26, 2018
 HOBIN ARCHITECTURE INCORPORATED

The 4040XP is LCN's most durable and flexible heavy duty closer designed for institutional and other demanding high traffic applications.

Certifications	Grade 1 - ANSI A156.4, UL 10C, ADA, 100 Hour Salt Spray, Meets BAA - Buy American Act	Cover	<ul style="list-style-type: none"> ■ Plastic, Standard ■ Metal, Optional
Body Construction	<ul style="list-style-type: none"> ■ Cast Iron Body ■ Full Complement Bearings ■ 1-1/2" Diameter Piston ■ 3/4" Diameter Double Heat Treated Pinion Journal 	Fasteners	Self Reaming and Tapping Screws (SRT)
Fluid	All Weather Liquid X Fluid	Mounting	Hinge (Pull Side), Top Jamb (Push Side), Parallel Arm (Push Side)
Handing	Non-Handed	Arms	Regular Arm
Templating	Peel-n-Stick Templates - 2-1/4" x 5" Mounting Hole Pattern	Finishes/Colors/ Powder Coat	<ul style="list-style-type: none"> ■ Aluminum (689) ■ Statuary Bronze (690) ■ Light Bronze (691) ■ Black (693) ■ Dark Bronze (695) ■ Brass (696) ■ Custom colors optional ■ Optional SRI primer - powder coat only ■ Optional plated finishes
Size	Adjustable Spring Size 1-6, includes Patented Green Dial		
Warranty	30 years		

Special Templates - Customized installation templates or products may be available to solve unusual applications. Contact LCN Product Support for assistance.



- AVAILABLE
- NOT AVAILABLE
- ⊗ Closer available with less than 5.0 lbs. opening force on 30" door.
- * Maximum opening/hold-open point with standard template.
- ** Advanced Variable Backcheck.
- *** Delay feature incorporates standard 4040 cylinder (not XP).

LCN Door Control Catalog
 phone: 877-671-7011 ■ fax: 609-248-1460 ■ www.lcn.com/us ■ 009476 rev. 3/16



37



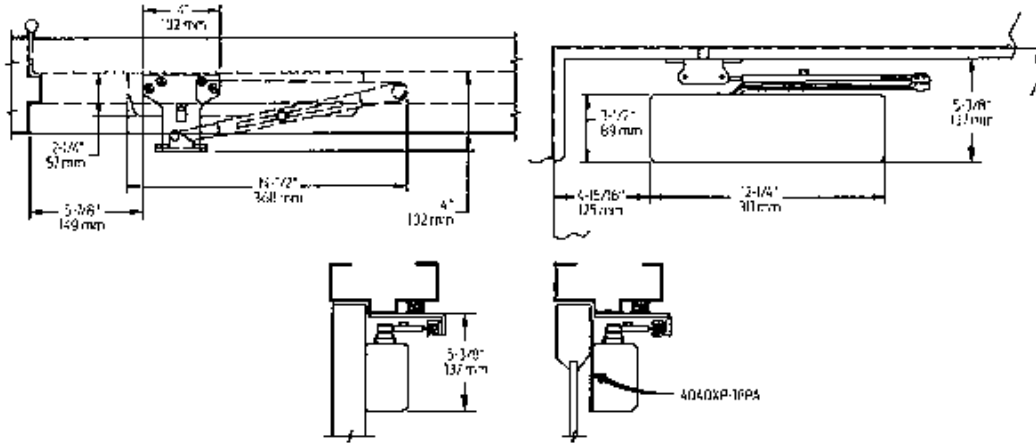
Merlin Door Systems Ltd.
 29 Celopatra Drive
 Ottawa, ON, K2G 0B6

Dovercourt Phase 2 Addition & Renovation
 411 Dovercourt, Ottawa
 Job No. X-313

Submission Date: August 28, 2018



Parallel Arm (Push Side)
Mounting



Butt Hinges	Should not exceed 5" (127 mm) in width
Auxiliary Stop	Recommended at hold-open point, where the door cannot swing 180°, or where CUSH-N-STOP arms is not used
Reveal	Should not exceed 7/32" (6 mm)
Top Rail	Less than 5-3/8" (149 mm) measured from the stop requires PLATE, 4040XP-18PA. Plate requires 2" (51 mm) minimum from the stop
Head Frame	Flush or rabbeted requires PA SHOE ADAPTER, 4040XP-419
Stop Width	Minimum 1" (25 mm). CUSH arm requires minimum 1-1/2" (38 mm)
Blade Stop	Clearance requires 1/2" (13 mm) BLADE STOP SPACER, 4040XP-61.
Clearance	<ul style="list-style-type: none"> 4040XP-52PA shoe is 4" (102 mm) from door face. EDA shoe projects 5-1/2" (140 mm) from door face. CUSH shoe projects 6" (152 mm) from door face.
Delayed Action	<ul style="list-style-type: none"> Incorporates standard 4041 cylinder, without XP cylinder Delays closing from 120° to 70°. Delay time adjustable up to approximately 1 minute.
Maximum Opening	<ul style="list-style-type: none"> 180° opening/hold-open points with all except CUSH arms 110° opening/hold-open with CUSH arms

Notes:
 • Optional mounting requires PA SHOE, 4040XP-62PA for regular or HOLD-OPEN arms
 • Add prefix "P" to closer description (eg. P4040XP)
 • P4040XP closer includes 4040XP-201 FIFTH HOLE SPACER to support PA SHOE



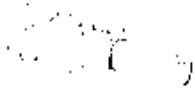
Merlin Door Systems Ltd.
 29 Celopatra Drive
 Ottawa, ON, K2G 0B6

Dovercourt Phase 2 Addition & Renovation
 411 Dovercourt, Ottawa
 Job No. X-313

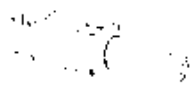
Submission Date: August 28, 2018



Cylinders



- 4040XP-3071**
Cast Iron Cylinder Assembly
- Non-handed
 - Heavy duty



- 4040-3071 DCL**
Cast Iron Cylinder Assembly
- Used for delayed action closing
 - Non-handed
 - Heavy duty

Covers

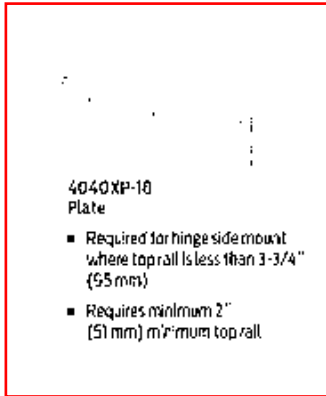


- 4040XP-72**
Plastic Cover
- Includes 4040XP-54 snap on cover clip
 - Non-handed
 - Standard



- 4040XP-72MC**
Metal Cover
- Handed
 - Required for plated finishes and custom powder coat finishes
 - Optional

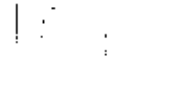
Installation Accessories



- 4040XP-10**
Plate
- Required for hinge side mount where top rail is less than 3-3/4" (95 mm)
 - Requires minimum 2" (51 mm) minimum top rail



- 4040XP-10G**
Plate
- Locates top jamb mounted closer flush with top of head frame face in flush ceiling condition
 - Requires 1-3/4" (44 mm) minimum head frame



- 4040XP-10TJ**
Plate
- Centers top jamb mounted closer vertically on head frame where face is less than 3-1/2" (89 mm). Plate requires 1-3/4" (44 mm) minimum head frame



- 4040XP-10PA**
Plate
- Required for parallel arm mounting where top rail is less than 3-1/2" (140 mm), measured from the stop
 - Requires 2" (51 mm) minimum top rail



- 4040XP-62PA**
PA Shoe
- Required for parallel arm mounting

SHOP DRAWING REVIEW

- REVIEWED
- REVIEWED AS NOTED
- REVISE AND RESUBMIT



"This review is for the sole purpose of ascertaining conformance with the general design concept for architectural features only, and does not in any way constitute review of the design of engineering elements which form part of the Contract Documents prepared by others. This review shall not mean that the Architect approves the detail design inherent in the shop drawings. This responsibility shall remain with the Contractor submitting same, and such review shall not relieve the Contractor of his responsibility for errors or omissions in the shop drawings or of his responsibility for meeting all requirements of the Contract Documents. The Contractor is responsible for dimensions to be confirmed and correlated at the job site, for information that pertains solely to fabrication processes, or to techniques of construction and installation and for co-ordination for the work of all trades."

By: Doug van den Ham Date: October 26, 2018
HOBIN ARCHITECTURE INCORPORATED



Merlin Door Systems Ltd.
29 Celopatra Drive
Ottawa, ON, K2G 0B6

Dovercourt Phase 2 Addition & Renovation
411 Dovercourt, Ottawa
Job No. X-313

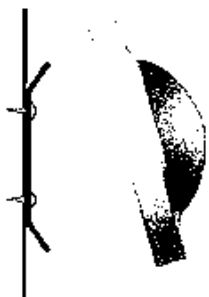
Submission Date: August 28, 2018



WALL STOPS S SERIES

52

FOR A POSITIVE SECURE INSTALLATION



METAL BACKPLATE SECURES TO WALL WITH SCREWS AND SHIELDS



HOUSING AND RUBBER FITS COVER BACKPLATE AND SECURED WITH SET SCREW

S120 CONVEX WALL STOP



S121 HEAVY DUTY CONVEX WALL STOP



CONVEX WALL STOP

S120

- 2.375" (60.325) DIAM. x 1" (25.4) PROJECTION
- ZINC DIE CAST
- 0.187 LBS EACH (0.085 KG.)
- COMPLETE WITH SCREWS AND SHIELDS
- ALL STANDARD FINISHES

HEAVY DUTY CONVEX WALL STOP

S121

- 2.375" (60.325) DIAM. x 1" (25.4) PROJECTION
- SOLID CAST BRASS OR BRONZE
- 0.376 LBS EACH (0.17 KG.)
- COMPLETE WITH SCREWS AND SHIELDS
- ALL STANDARD FINISHES

S122 CONCAVE WALL STOP



S123 HEAVY DUTY CONCAVE WALL STOP



CONCAVE WALL STOP

S122

- 2.375" (60.325) DIAM. x 1" (25.4) PROJECTION
- ZINC DIE CAST
- 0.187 LBS EACH (0.085 KG.)
- COMPLETE WITH SCREWS AND SHIELDS
- ALL STANDARD FINISHES

HEAVY DUTY CONCAVE WALL STOP

S123

- 2.375" (60.325) DIAM. x 1" (25.4) PROJECTION
- SOLID CAST BRASS OR BRONZE
- 0.376 LBS EACH (0.17 KG.)
- COMPLETE WITH SCREWS AND SHIELDS
- ALL STANDARD FINISHES

SHOP DRAWING REVIEW

- REVIEWED
- REVIEWED AS NOTED
- REVISE AND RESUBMIT



Merlin Door Systems Ltd.
29 Celopatra Drive
Ottawa, ON, K2G 0B6

This review is for the sole purpose of ascertaining conformance with the general design concept for architectural features only, and does not in any way constitute review of the design of engineering elements which form part of the Contract Documents prepared by others. This review shall not mean that the Architect approves the detail design inherent in the shop drawings. This responsibility shall remain with the Contractor submitting same, and such review shall not relieve the Contractor of his responsibility for errors or omissions in the shop drawings or of his responsibility for meeting all requirements of the Contract Documents. The Contractor is responsible for dimensions to be confirmed and correlated at the job site, for information that pertains solely to fabrication processes, or to techniques of construction and installation and for its coordination for the work of all trades.

Dovercourt Phase 2 Addition & Renovation
411 Dovercourt, Ottawa
Job No. X-313

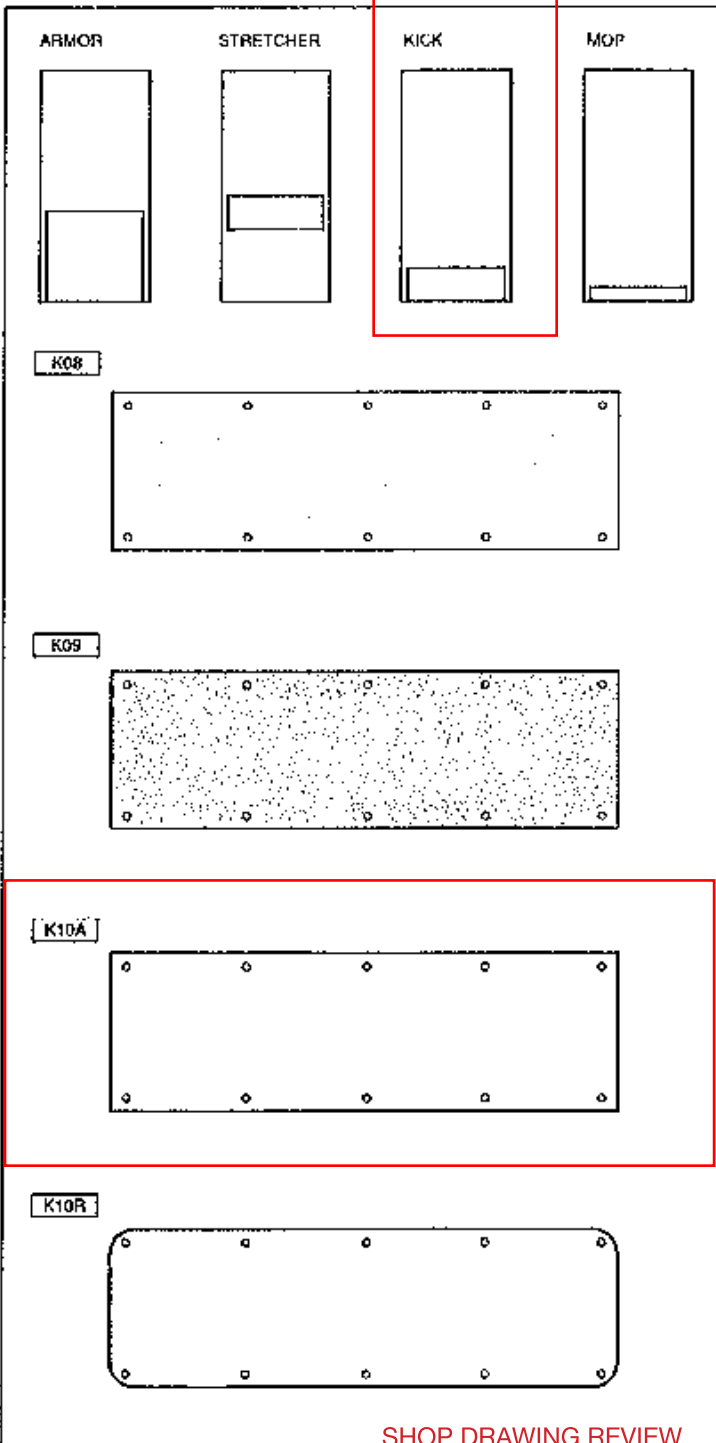
Submission Date: August 28, 2018

By: Doug van den Ham Date: October 26, 2018
HOBIN ARCHITECTURE INCORPORATED



DOOR PLATES K SERIES

54



STANDARD FEATURES:

- ALL ARCHITECTURAL FINISHES ARE AVAILABLE
- PROTECTIVE PLASTIC COVER
- COUNTERSINK SCREW HOLES
- #6 x 0.525" (16) UNDERCUT S.M.B.
- #8 x 0.375" (8.5) MACHINE SCREWS ON REQUEST
- AVAILABLE TAPE OR EPOXY MOUNTING
- BRASS & BRONZE PLATES STOCKED UP TO 24" (609.6) HEIGHT
- ALUMINUM, ACRYLIC, KYDEX & ST. STEEL PLATES, STOCKED UP TO 48" (1219.2) HEIGHT

CLEAR ACRYLIC PLATE OR PUSHPLATE

K08

- 0.125" (3.81) THICKNESS
- ALL EDGES BEVELLED

KYDEX (PVC & ACRYLIC, TEXTURED FINISH) PLATE OR PUSHPLATE

K09

- 0.060" (1.52) OR 0.090" (2.28) THICKNESS
- ALL EDGES BEVELLED
- TAPE OR EPOXY MOUNTING (EPOXY RECOMMENDED)
- STOCK COLOURS: BEIGE, BLACK, BLUE, GRAY & WHITE
- OVER 30 COLOURS AVAILABLE

SOLID METAL PLATES: ALUMINUM, BRASS, BRONZE & STAINLESS STEEL

K10A * 0.050" (1.27) THICKNESS

K10B * 0.062" (1.57) THICKNESS

K10C * 0.125" (3.81) THICKNESS

K10R

- KICK PLATE WITH RADIUS CORNERS

ECONOMY DOORPLATES

- AVAILABLE IN STAINLESS STEEL ONLY

K10-A37

- TYPE 430, LOW GRADE STAINLESS

K10-20

• AVERAGE THICKNESS, 0.037" (0.94)

SHOP DRAWING REVIEW

- REVIEWED
- REVIEWED AS NOTED
- REVISE AND RESUBMIT



Merlin Door Systems Ltd.
29 Celopatra Drive
Ottawa, ON, K2G 0B6

This review is for the sole purpose of ascertaining conformance with the general design concept for architectural features only, and does not in any way constitute review or design of engineering elements which form part of the Contract Documents prepared by others. This review shall not mean that the Architect approves the detail design inherent in the shop drawings. This responsibility shall remain with the Contractor submitting same, and such review shall not relieve the Contractor of his responsibility for errors or omissions in the shop drawings or of his responsibility for meeting all requirements of the Contract Documents. The Contractor is responsible for dimensions to be confirmed and correlated at the job site, for information that pertains solely to fabrication processes, or to techniques of construction and installation not provided for in the contract documents.

Dovercourt Phase 2 Addition & Renovation
411 Dovercourt, Ottawa
Job No. X-313

Submittal Date: August 28, 2018

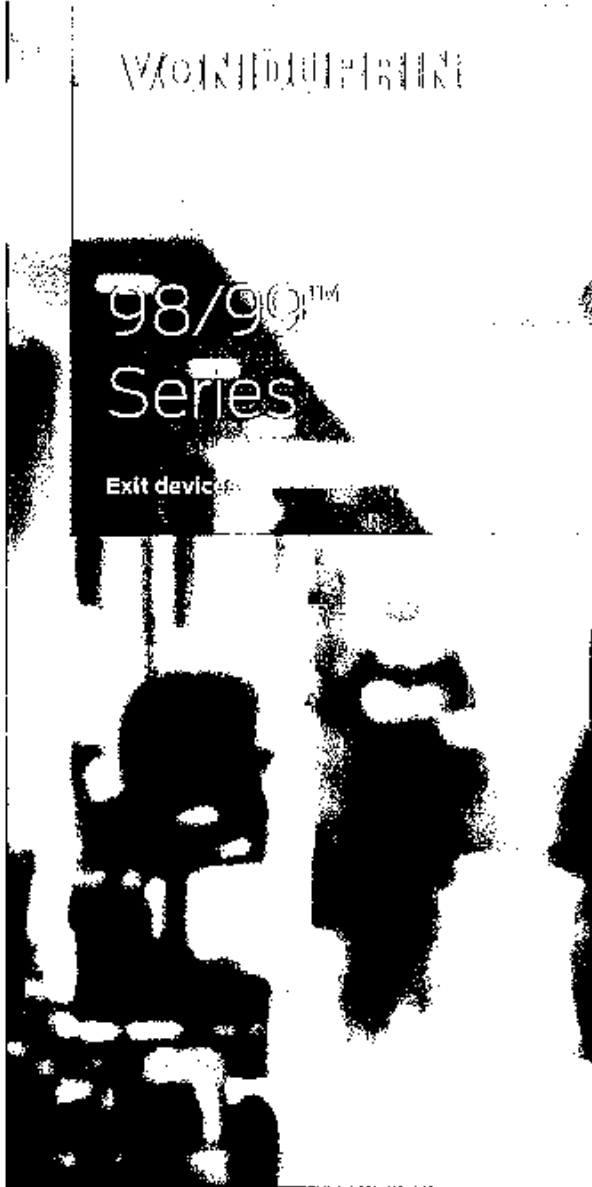
SHOP DRAWING REVIEW

- REVIEWED
- REVIEWED AS NOTED
- REVISE AND RESUBMIT



"This review is for the sole purpose of ascertaining conformance with the general design concept for architectural features only, and does not in any way constitute review of the design of engineering elements which form part of the Contract Documents prepared by others. This review shall not mean that the Architect approves the detail design inherent in the shop drawings. This responsibility shall remain with the Contractor submitting same, and such review shall not relieve the Contractor of his responsibility for errors or omissions in the shop drawings or of his responsibility for meeting all requirements of the Contract Documents. The Contractor is responsible for dimensions to be confirmed and correlated at the job site, for information that pertains solely to fabrication processes, or to techniques of construction and installation and for co-ordination for the work of all trades."

By: Doug van den Ham Date: October 26, 2018
 HOBIN ARCHITECTURE INCORPORATED



Merlin Door Systems Ltd.
 29 Celopatra Drive
 Ottawa, ON, K2G 0B6

Dovercourt Phase 2 Addition & Renovation
 411 Dovercourt, Ottawa
 Job No. X-313

Submittal Date: August 28, 2018

Nomenclature – how to order

		EL	99	27	-L	-16	-F	LBR	3'	US3	RHR
None	Standard										
SD	Special dogging R/VR - panic only										
CO	Cylinder dogging - panic only										
(X)	Chexit										
E	Electric locking mortise/lever										
(e)R	Quiet electric latch retraction										
R	Electric latch retraction										
MR	Latch bolt monitoring										
EX	Request to exit										
(EX)2	Double request to exit										
SS	Signal switch										
AVZ	Accessibility device										
EL	Pullman latch										
PN	Pneumatic latch retraction										
WS	Surface vertical rod exit device										
XP	Heavy protection - pin										
WS	Tornado & hurricane tested										
98	Series 98-smooth										
99	Series 99-grooved										
None	Randomized										
27	Surface mounted vertical rod device										
47	Concealed vertical rod device										
47WDC	Concealed vertical rod wood door device										
48	Concealed vertical rod device										
49	Concealed vertical cable device										
49WDC	Concealed vertical cable wood door device										
57	Three-point latch device										
75	Mortise lock device										
AD	AD Trim (to come from client)										
DT	Dummy trim										
EO	Exit only										
HL	Hospital pull trim										
K	Knob										
K-BE	Knob - blank escutcheon										
K-DT	Knob, rigid - dummy trim										
K-NL	Knob, rigid - night latch										
L	Lever (classroom)										
L-BE	Lever - blank escutcheon										
L-DT	Lever, rigid - Dummy trim										
L-NL	Lever, rigid - night latch										
NL	Night latch										
NL-OP	Night latch cylinder assembly, optional pull										
TL	Turn lever										
TL-BE	Turn lever - blank escutcheon										
TP	Thumbpiece										
TP-BE	Thumbpiece - blank escutcheon										
XX	Lever style 06 standard Optional 01, 02, 03, 05, 07, 12 (Handed), 16 (Omega), 17, 18, Accent, Asti, Merano, St. Annes										
FD	Fire exit device										
2	Double cylinder (rim & mortise only)										
RL	Less bottom rod										
RL	Less bottom latch										
TC	Safety glow (luminescent) touchpad										
AK	Alarm kit										
AK1	Auto-reset 1/2 minute alarm kit										
AK3	Auto-reset 3 minute alarm kit										
AK4	Auto-reset 4 1/2 minute alarm kit										
AC	Allegra Connect										
2'	2' Device (2' door size) 27, 47 or 49 only										
3'	3' Device (2' 4" - 3' door size)										
4'	4' Device (2' 10" - 4' door size)										
Finishes	US3, US4, US10, US26, US26D, US28, 313, 315 US32D - 98 ONLY -AV Antimicrobial (available US26D and US32D)										
-LHR	Left hand reverse										
-RHR	Right hand reverse										

Merlin Door Systems Ltd. - 5



Merlin Door Systems Ltd.
29 Celopatra Drive
Ottawa, ON, K2G 0B6

Dovercourt Phase 2 Addition & Renovation
411 Dovercourt, Ottawa
Job No. X-313

Submission Date: August 28, 2018

Standard trim

	EO <small>Escutcheon trim End only</small>	DT <small>Dummy trim Full width device</small>	NL <small>Night latch Key retracts, standard</small>	NL-OP <small>Night latch Key retracts, standard optional opt. required</small>
Product description	98EO 99EO	98DT 99DT	98NL 99NL	98NL-OP 99NL-OP
Trim description	—	99DDT	990NL-R/V	110NL-VD 110NL-WD
Escutcheon plate size	—	3" x 14 1/4" x 1/2" (76x360x2mm)	3" x 14 1/4" x 1/2" (76x360x2mm)	—
Pull center to center	—	5 1/2" (140mm)	5 1/2" (140mm)	—
Projection	—	2" (51mm)	2" (51mm)	—
ANSI function	01	02	03	03
Cylinder type	—	—	Rim	Rim
Handing	—	—	—	—
Optional trim	x990EO x996EO	x996K-DT x996L-DT x696DT x697DT	x996K-NL x996L-NL x696NL x697NL	
Optional #425 SNE quantity for device	6	2	2	6

	L <small>Lever Keyless & union</small>	L-NL <small>Lever - night latch Key retracts, standard</small>	L-BE <small>Lever - blank escutcheon Always openable (no cylinder)</small>	L-DT <small>Lever dummy trim pull width changed</small>
Product description	98L 99L	98L-NL 99L-NL	98L-BE 99L-BE	98L-DT 99L-DT
Trim description	996L-R/V*	996L-NL-R/V	996L-BE-R/V*	996L-DT
Escutcheon plate size	2 1/2" x 10 1/4" x 7/8" (70x273x21mm)	2 1/2" x 10 1/4" x 7/8" (70x273x21mm)	2 1/2" x 10 1/4" x 7/8" (70x273x21mm)	2 1/2" x 10 1/4" x 7/8" (70x273x21mm)
Pull center to center	—	—	—	—
Projection	2 1/4" (73mm)	2 1/4" (73mm)	2 1/4" (73mm)	2 1/4" (73mm)
ANSI function	08	03	14	02
Cylinder type	Rim	Rim	—	—
Handing	Handed/Reversible	Handed/Reversible	Handed/Reversible	Handed/Reversible
Optional #425 SNE quantity for device	2	2	2	2

* Lever in this application available

SHOP DRAWING REVIEW

- REVIEWED
- REVIEWED AS NOTED
- REVISE AND RESUBMIT



Notes

"This review is for the sole purpose of ascertaining conformance with the general design concept for architectural features only, and does not in any way constitute review of the design of engineering elements which form part of the Contract Documents prepared by others. This review shall not mean that the Architect approves the detail design inherent in the shop drawings. This responsibility shall remain with the Contractor submitting same, and such review shall not relieve the Contractor of his responsibility for errors or omissions in the shop drawings or of his responsibility for meeting all requirements of the Contract Documents. The Contractor is responsible for dimensions to be confirmed and correlated at the job site, for information that pertains solely to fabrication processes, or to techniques of construction and installation and for co-ordination for the work of all trades."

Van Doren 98/99 Series - 9

By: Doug van den Ham Date: October 26, 2018
HOBIN ARCHITECTURE, INCORPORATED

98/99 Rim exit device



Merlin Door Systems Ltd.
29 Celopatra Drive
Ottawa, ON, K2G 0B6

Dovercourt Phase 2 Addition & Renovation
411 Dovercourt, Ottawa
Job No. X-313

Submittal Date: August 28, 2018

DOREX GX1 SERIES LOCKSETS

SPECIFICATION

BORED LOCKSETS: All bored locksets shall be Dorex GX1B or GX1L series. Locksets shall meet ANSI/BHMA A156.2, Series 4000, Grade 1 requirements. All locksets shall be adjustable to fit 1 3/8" (35mm) to 2" (51mm) door thicknesses. Locksets shall have a stainless steel 1/2" (12.7mm) throw latch with a 2 3/4" (70mm) backset. Locksets shall have a 6-pin, rekeyable cylinder with Schlage "C" keyway, have available optional rekeyable cylinders in various common keyways; optional CXS high security cylinders. All lever locksets shall meet ADA requirements and have a 3 Hour (ULus fire rating, conforming to ANSI/JL 10C). Locksets shall have removable (GX1B) or non-removable steel (GX1L) thru-bolt mounting posts, concealed mounting plate and screws. Locksets shall be non-handed and supplied with all necessary mounting hardware. **OPTIONAL:** All locks shall have optional 2 3/8" (60mm), 3 3/4" (95mm) and 5" (127mm) backsets with a 1/2" (12.7mm) throw latch available. All locksets shall have optional 2 3/4" (70mm) backset with 3/4" (19mm) throw latch available. Locksets shall have small format interchangeable core lock model available (SFC).

AUXILIARY LOCKS: All bored deadbolts shall be Dorex GX1A series. Deadbolts shall meet ANSI/BHMA A156.5, Grade 1 requirements. Deadbolts shall be suitable to fit 1 3/8" (35mm) to 2" (51mm) door thickness. Deadbolts shall be solid brass with a hardened steel security pin. Have a backset of 2 3/4" (70mm) and 1" (25.4mm) throw. Locks shall have a 6-pin, rekeyable cylinder with Schlage "C" keyway, have available optional rekeyable cylinders in various common keyways, have available optional CXS high security cylinders. Deadbolt collar shall be free spinning for enhanced security. All deadbolts shall have a 3 Hour (ULus fire rating) and be supplied with all necessary mounting fasteners. **OPTIONAL:** All deadbolts shall have available optional backsets 2 3/8" (60mm) or 5" (127mm). Deadbolts shall have available optional kit for 2 1/4" (57mm) door thickness. Deadbolts shall have small format interchangeable core lock model available.

KEYING: Dorex Grade 1 cylindrical locks are available in a variety of keyways and keyer systems including small format interchangeable (SFC) models. Please contact a sales representative for more details.

SELECTION GUIDE

	MODEL NUMBER	FUNCTION	FINISH	FIR CASE	WEIGHT LBS / KG
DEADBOLT	GX1A 51	Single cylinder deadbolt with inside thumbturn, 6-pin cylinder Schlage "C" keyway	C3, C5, C15, C15A, C26D, V3	17	25.1 / 11.4
	GX1A 51 WEI	Single cylinder deadbolt with inside thumbturn, 5-pin cylinder Weiser keyway	C3, C5, C26D		25.1 / 11.4
	GX1A 51 IC	Single cylinder deadbolt with inside thumbturn IC, 7-pin SFC cylinder core included	C15, C26D		27.3 / 12.4
	GX1A 60	Double cylinder			29.7 / 13.5
	GX1A 60 IC	Double cylinder IC, less core	C26D		31.2 / 14.2
	GX1A 70	Single cylinder deadbolt (Classroom)			26.4 / 12.0
	GX1A 70 IC	Single cylinder deadbolt IC (Classroom), less core		27.3 / 12.4	
KNOBSET	GX1B 10	Passage		20	55.9 / 25.4
	GX1B 42	Privacy			52.8 / 24.0
	GX1B 53	Entrance			56.3 / 25.6
	GX1B 53 IC	Entrance IC, less core			56.3 / 25.6
	GX1B 60	Store	C37D		58.3 / 26.5
	GX1B 60 IC	Store IC, less core			61.6 / 28.0
	GX1B 70	Classroom			56.3 / 25.6
	GX1B 70 IC	Classroom IC, less core			61.6 / 28.0
	GX1B 80	Storeroom			56.3 / 25.6
	GX1B 80 IC	Storeroom IC, less core		61.6 / 28.0	
LEVERSET*	GX1L 10	Passage		6	27.1 / 12.3
	GX1L 42	Privacy			29.7 / 13.5
	GX1L 53	Entrance			28.9 / 13.1
	GX1L 53 IC	Entrance IC, less core			29.7 / 13.5
	GX1L 60 IC	Store IC, less core			29.5 / 13.4
	GX1L 70	Classroom			28.9 / 13.1
	GX1L 70 IC	Classroom IC, less core	C26D		32.6 / 14.8
	GX1L 75	Classroom security			29.7 / 13.5
	GX1L 75 IC	Classroom security IC, less core			30.6 / 13.9
	GX1L 80	Storeroom			28.9 / 13.1
	GX1L 80 IC	Storeroom IC, less core			29.7 / 13.5
	GX1L 82	Institution			29.7 / 13.5
	GX1L 82 IC	Institution IC, less core		28.9 / 13.1	

*All keyed lever locksets include clutch feature.

Dimensions unless specified otherwise are: inches (Millimeters)

Page 7



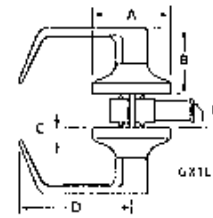
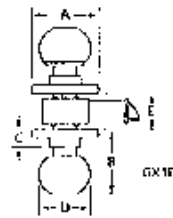
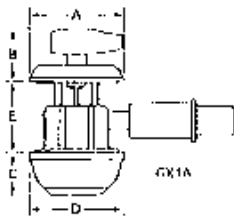
Merlin Door Systems Ltd.
29 Celopatra Drive
Ottawa, ON, K2G 0B6

Dovercourt Phase 2 Addition & Renovation
411 Dovercourt, Ottawa
Job No. X-313

Submission Date: August 28, 2018

DOREX GX1 SERIES LOCKSETS

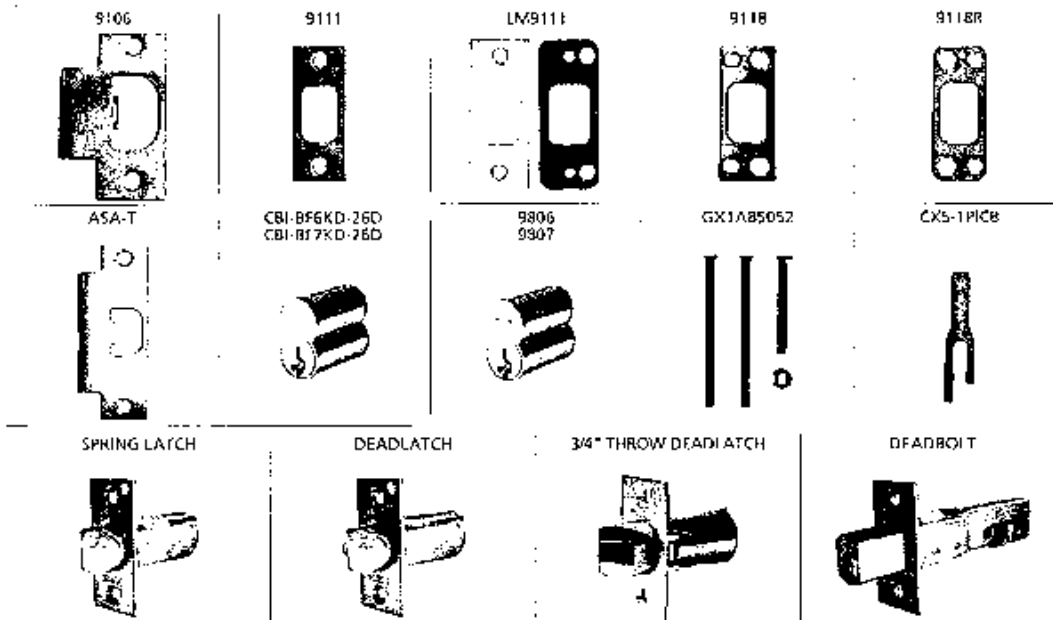
SIZE CHARTS



MODEL	A	B	C	D	E
GX1A	2 3/8 59	1 9/32 142.7	1 11/16 37	2 15/32 63	1 3/8 2 1/4 34.9-57.2
GX1B	1 1/2 38	2 5/8-3 64-76	1 3/16 13	2 1/4 57	1 3/8-2 34.9-51
GX1L	1 1/2 38	3 76.2	2 1/8 54	2 51	1 3/8-2 34.9-51

PARTS & ACCESSORIES

9106	1-stroke 1 1/8 x 2 3/4" (29 x 70 mm)	CX5-1FCB	1st-price for CX5-3C cylinder
9111	Deadbolt strike for steel frame, 1 1/8 x 2 3/4" (29 x 70 mm)	GX1DL24	2 3/4" (70 mm) backset entry deadlatch
LM9111	Security deadbolt strike for steel frame, 1 1/8 x 2 3/4" (29 x 70 mm)	GX1DL26	2 1/8" (60 mm) backset entry deadlatch
9118	Deadbolt strike for wood frame 1 1/8 x 2 3/4" (29 x 70 mm)	GX1DL24-34	2 3/4" (70 mm) backset entry deadlatch, 3/4" (19 mm) throw
9118R	Deadbolt strike for wood frame with round corners, 1 1/8 x 2 3/4" (29 x 70 mm)	GX1P, 234	2 3/4" (70 mm) backset primary spring latch
ASA-T	ASA strike with adjustable tab 1 1/4 x 4 1/8" (32 x 104 mm)	GX1P, 234	2 3/8" (60 mm) backset primary spring latch
CBI-BF6KD-26D	Interchangeable case BEST® e6+ profile, 6 pins, 3 keys	GX1P, 234	2 3/4" (70 mm) backset passage spring latch
CBI-BF7KD-26D	Interchangeable case BEST® e6+ profile, 7 pins, 3 keys	GX1P, 248	2 3/4" (70 mm) backset passage spring latch
9806	CX5-31C Cylinder, 6 pins, 5 bitting	GX1E114	Adapter for 2 3/8" (60 mm) latch, extends to 3 3/4" (95 mm)
9807	CX5-31C Cylinder, 7 pins, 2 bitting	GX1E120	Adapter for 2 3/4" (70 mm) latch, extends to 5 1/2" (141 mm)
GX1A8502	Lump sum spindle and screws kit for GX1A installation, on 2 1/4" (57 mm) thick door	TL037	2 3/8" (60 mm) backset deadbolt
		TL058	2 3/4" (70 mm) backset deadbolt



Page 3



Merlin Door Systems Ltd.
29 Celopatra Drive
Ottawa, ON, K2G 0B6


Dovercourt Phase 2 Addition & Renovation
411 Dovercourt, Ottawa
Job No. X-313

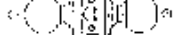
Submission Date: August 28, 2018


02.012

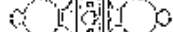
DOREX GX1 SERIES LOCKSETS


Lock Function	Release Function	Function Release	Keyway
---------------	------------------	------------------	--------


Passage 10  Latch bolt activated by knob from either side.

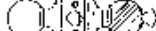
Privacy 42  Latch bolt activated by knob from either side, except when inside push-button locks outside knob. Push-button released by turning inside knob or closing door to prevent lockout. Outside knob has provisions for emergency unlatching.


Entrance 53  Deadlocking latch bolt activated by knob from either side, except button in inside knob can be pushed and turned to lock outside knob. If pushed only, or by key or turning inside knob will release. Outside knob remains locked until turn button manually reset.

Store 60  Deadlocking latch bolt activated by knob from either side, except when key used on either side locks or unlocks both sides.

Classroom 70  Deadlocking latch bolt activated by knob from either side, except when outside knob is locked by key. Inside knob is always free.

Classroom security 75  Key in either knob locks or unlocks outside knob. Inside knob is always unlocked.

Storeroom 80  Deadlocking latch bolt activated by inside knob or key in outside knob. Outside knob always fixed.

Institution or Utility 82  Deadlocking latch bolt activated by key in either side. Both knobs always fixed.

ORDERING INFORMATION

GX1A SERIES		FUNCTION	FINISH	KEYWAY
SERIES		LOCKSET FUNCTION	FINISH	KEYWAY
GX1A	Deadbolt	10 Passage	C3 Polished brass	Standard Schlage "C"
GX1B	Ball knob	42 Privacy	C5 Antique brass	W1 Western
GX1L	Lever	53 Entrance	C15 Satin nickel	IC <small>SHC model this series</small>
DEADBOLT FUNCTION		60 Store	C15A Antique nickel	
S1	Single cylinder	70 Classroom	C2GD Satin chrome	
E0	Double cylinder	75 Classroom security	V3 Endurance/Elite finish	
70	Single cylinder (Storeroom)	80 Storeroom	C32D Satin stainless steel	
		82 Institution		

SHOP DRAWING REVIEW

REVIEWED
 REVIEWED AS NOTED
 REVISE AND RESUBMIT



"This review is for the sole purpose of ascertaining conformance with the general design concept for architectural features only, and does not in any way constitute review of the design of engineering elements which form part of the Contract Documents prepared by others. This review shall not mean that the Architect approves the detail design inherent in the shop drawings. This responsibility shall remain with the Contractor submitting same, and such review shall not relieve the Contractor of his responsibility for errors or omissions in the shop drawings or of his responsibility for meeting all requirements of the Contract Documents. The Contractor is responsible for dimensions to be confirmed and correlated at the job site, for information that pertains solely to fabrication processes, or to techniques of construction and installation and for co-ordination for the work of all trades."

By: **Doug van den Ham** Date: **October 26, 2018**

HOBIN ARCHITECTURE INCORPORATED

Dovercourt Phase 2 Addition & Renovation
 411 Dovercourt, Ottawa
 Job No. X-313

Submittal Date: August 28, 2018



Merlin Door Systems Ltd.
 29 Celopatra Drive
 Ottawa, ON, K2G 0B6



REVIEWED
 REVIEWED AS NOTED
 REVISE AND RESUBMIT

"This review is for the sole purpose of ascertaining conformance with the general design concept for architectural features only, and does not in any way constitute review of the design of engineering elements which form part of the Contract Documents prepared by others. This review shall not mean that the Architect approves the detail design inherent in the shop drawings. This responsibility shall remain with the Contractor submitting same and such review shall not relieve the Contractor of his responsibility for errors or omissions in the shop drawings or of his responsibility for meeting all requirements of the Contract Documents. The Contractor is responsible for dimensions to be confirmed and correlated at the job site, for information that pertains solely to fabrication processes, or to techniques of construction and installation and for co-ordination for the work of all trades."

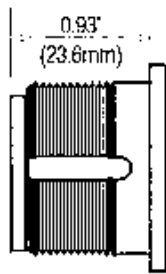
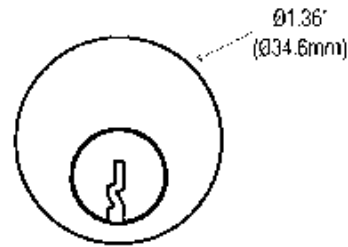
By: Doug van den Ham Date: October 26, 2018
 HOBIN ARCHITECTURE INCORPORATED

MORTISE CYLINDERS

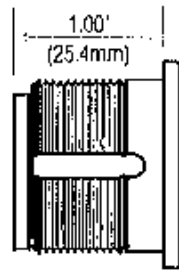
- Exact pinning specifications as original systems
- Solid brass construction
- 22 keyways
- 6 popular lengths
- 7 popular cams
- Available in eight finishes

Model #	Type	Length
M156	Mortise cylinder	15/16" length
M100	Mortise cylinder	1" length
M118	Mortise cylinder	1-1/8" length
M114	Mortise cylinder	1-1/4" length
M138	Mortise cylinder	1-3/8" length
M112	Mortise cylinder	1-1/2" length

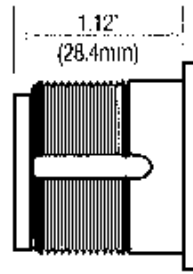
Custom lengths available, call for details.



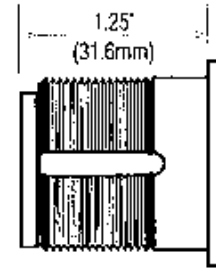
M156



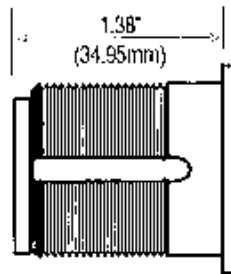
M100



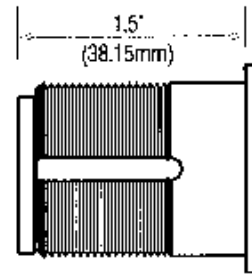
M118



M114



M138



M112

4 www.gardian.com



Merlin Door Systems Ltd.
 29 Celopatra Drive
 Ottawa, ON, K2G 0B6

Dovercourt Phase 2 Addition & Renovation
 411 Dovercourt, Ottawa
 Job No. X-313

Submittal Date: August 28, 2018

Low Energy Swing Door Operators

EasyAccess[®]

Series 7100 Low Energy



Handicap Accessible



Surface Applied Operator

Door system for standard ADA low energy applications

Compliant with ANSI A156.19, A117.1 and Americans With Disabilities Act of 1990

Standard system features & benefits:

- Heavy duty motor designed for standard handicap applications
- Surface mount 4" x 6" side access header. Optional 6" x 6" side access available.
- Available for both hung and center pivoted door assemblies
- Installs easily with no structural changes required

SHOP DRAWING REVIEW

- REVIEWED
- REVIEWED AS NOTED
- REVISE AND RESUBMIT



"This review is for the sole purpose of ascertaining conformance with the general design concept for architectural features only, and does not in any way constitute review of the design of engineering elements which form part of the Contract Documents prepared by others. This review shall not mean that the Architect approves the detail design inherent in the shop drawings. This responsibility shall remain with the Contractor submitting same, and such review shall not relieve the Contractor of his responsibility for errors or omissions in the shop drawings or of his responsibility for meeting all requirements of the Contract Documents. The Contractor is responsible for dimensions to be confirmed and correlated at the job site, for information that pertains solely to fabrication processes, or to techniques of construction and installation and for co-ordination for the work of all trades."



Spec by Horton and document by AADM Architectural & Door Manufacturers
 Doug van den Ham Date: October 26, 2018
 AADM ARCHITECTURE INCORPORATED
 Automatic Door Manufacturers

Additional Features/Benefits

- Push-N-Go™ automatic activation by pushing or pulling door panel
- SoftTouch™ reversing and obstruction sensing
- Automatic opening with push button or push plate
- Easily adjustable opening & closing speeds
- Manual operation in case of power failure
- Available in a variety of anodized, paint or clad finishes

Did You Know?



Low energy operators move the door slowly at a rate considered intrinsically safe.



Merlin Door Systems Ltd.
 29 Celopatra Drive
 Ottawa, ON, K2G 0B6

Dovercourt Phase 2 Addition & Renovation
 411 Dovercourt, Ottawa
 Job No. X-313

Submission Date: August 28, 2018

Low Energy Swing Door Operators



EasyAccess®

Series 7100 Low Energy

Once the activating switch is pressed, the Series 7100 operator slowly opens the door and holds it open for an adjustable, delayed length of time. This creates a barrier free doorway and gives the pedestrian time to pass through the door before it slowly closes using spring force of less than 15 pounds (67 N).

Installation and Operation

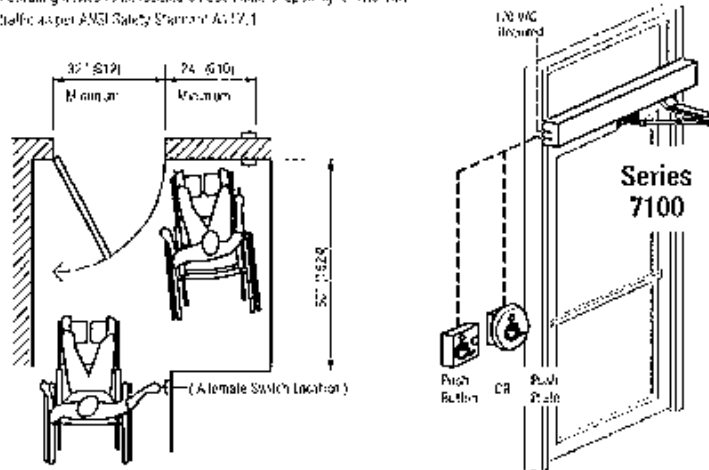
Activating devices to be located on each side of opening for two-way traffic as per ANSI Safety Standard A117.1

Electrical Requirements:

170, 220 VAC, 50 - 60 Hz,
single phase, 15 amp service.
Circuit draw - 3.15 amps.

Adjustments:

- Opening speed: 3 to 6 sec. to 80° (Open check)
- Closing speed: 3 to 6 sec. from 90° to 10° (Close Check)
- Time delay: 2 to 30 sec. (ANSI A117.19 requires 5 sec. minimum time delay).



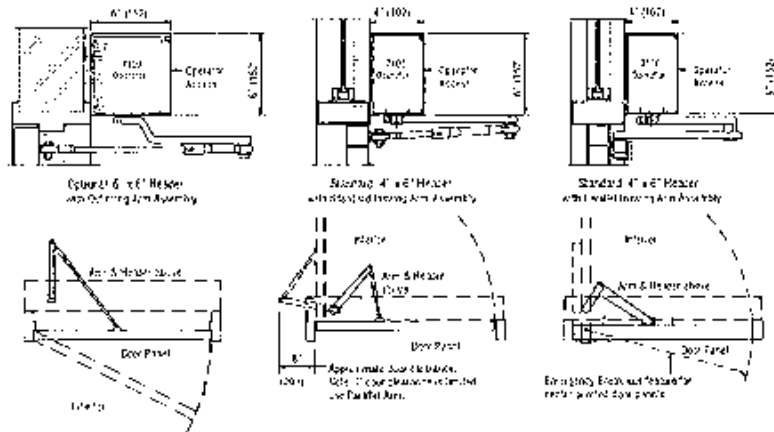
Selection Guide

Standard Single Units	
Door Width	Header Width
3'-0" (914)	3'-3" (891)
3'-6" (1067)	3'-9" (1143)
Standard Pair Units	
Pair Width	Header Width
5'-0" (1524)	5'-3" (1600)
6'-0" (1829)	6'-9" (1905)
7'-0" (2133)	7'-3" (2210)

Maximum Door Width:
3'-6" (1067)

Maximum Door Weight:
200 lbs (91kg)

Architectural Details



Specify **HORTON**



Horton Automatics
World Headquarters
4242 Baldwin Boulevard
Corpus Christi, Texas 78405-3399 USA
Phone: (609) 531-3111, (361) 898-5581
Fax: 361-868-6510
www.hortondoors.com

Horton Automatics, Ltd.
United Kingdom
Unit A, Fostonwood 31
Telford, Shropshire, England TF11 7YZ
Phone: 01852 670169
Fax: 01952 670161

A Division of
Overhead Door Corporation
& Service Station Company

1997-1998, 2000, 2002, 2003, 2004, 2005, 2006, 2007, 2008, 2009, 2010, 2011, 2012, 2013, 2014, 2015, 2016, 2017, 2018, 2019, 2020, 2021, 2022, 2023, 2024, 2025, 2026, 2027, 2028, 2029, 2030, 2031, 2032, 2033, 2034, 2035, 2036, 2037, 2038, 2039, 2040, 2041, 2042, 2043, 2044, 2045, 2046, 2047, 2048, 2049, 2050, 2051, 2052, 2053, 2054, 2055, 2056, 2057, 2058, 2059, 2060, 2061, 2062, 2063, 2064, 2065, 2066, 2067, 2068, 2069, 2070, 2071, 2072, 2073, 2074, 2075, 2076, 2077, 2078, 2079, 2080, 2081, 2082, 2083, 2084, 2085, 2086, 2087, 2088, 2089, 2090, 2091, 2092, 2093, 2094, 2095, 2096, 2097, 2098, 2099, 2100, 2101, 2102, 2103, 2104, 2105, 2106, 2107, 2108, 2109, 2110, 2111, 2112, 2113, 2114, 2115, 2116, 2117, 2118, 2119, 2120, 2121, 2122, 2123, 2124, 2125, 2126, 2127, 2128, 2129, 2130, 2131, 2132, 2133, 2134, 2135, 2136, 2137, 2138, 2139, 2140, 2141, 2142, 2143, 2144, 2145, 2146, 2147, 2148, 2149, 2150, 2151, 2152, 2153, 2154, 2155, 2156, 2157, 2158, 2159, 2160, 2161, 2162, 2163, 2164, 2165, 2166, 2167, 2168, 2169, 2170, 2171, 2172, 2173, 2174, 2175, 2176, 2177, 2178, 2179, 2180, 2181, 2182, 2183, 2184, 2185, 2186, 2187, 2188, 2189, 2190, 2191, 2192, 2193, 2194, 2195, 2196, 2197, 2198, 2199, 2200, 2201, 2202, 2203, 2204, 2205, 2206, 2207, 2208, 2209, 2210, 2211, 2212, 2213, 2214, 2215, 2216, 2217, 2218, 2219, 2220, 2221, 2222, 2223, 2224, 2225, 2226, 2227, 2228, 2229, 2230, 2231, 2232, 2233, 2234, 2235, 2236, 2237, 2238, 2239, 2240, 2241, 2242, 2243, 2244, 2245, 2246, 2247, 2248, 2249, 2250, 2251, 2252, 2253, 2254, 2255, 2256, 2257, 2258, 2259, 2260, 2261, 2262, 2263, 2264, 2265, 2266, 2267, 2268, 2269, 2270, 2271, 2272, 2273, 2274, 2275, 2276, 2277, 2278, 2279, 2280, 2281, 2282, 2283, 2284, 2285, 2286, 2287, 2288, 2289, 2290, 2291, 2292, 2293, 2294, 2295, 2296, 2297, 2298, 2299, 2300, 2301, 2302, 2303, 2304, 2305, 2306, 2307, 2308, 2309, 2310, 2311, 2312, 2313, 2314, 2315, 2316, 2317, 2318, 2319, 2320, 2321, 2322, 2323, 2324, 2325, 2326, 2327, 2328, 2329, 2330, 2331, 2332, 2333, 2334, 2335, 2336, 2337, 2338, 2339, 2340, 2341, 2342, 2343, 2344, 2345, 2346, 2347, 2348, 2349, 2350, 2351, 2352, 2353, 2354, 2355, 2356, 2357, 2358, 2359, 2360, 2361, 2362, 2363, 2364, 2365, 2366, 2367, 2368, 2369, 2370, 2371, 2372, 2373, 2374, 2375, 2376, 2377, 2378, 2379, 2380, 2381, 2382, 2383, 2384, 2385, 2386, 2387, 2388, 2389, 2390, 2391, 2392, 2393, 2394, 2395, 2396, 2397, 2398, 2399, 2400, 2401, 2402, 2403, 2404, 2405, 2406, 2407, 2408, 2409, 2410, 2411, 2412, 2413, 2414, 2415, 2416, 2417, 2418, 2419, 2420, 2421, 2422, 2423, 2424, 2425, 2426, 2427, 2428, 2429, 2430, 2431, 2432, 2433, 2434, 2435, 2436, 2437, 2438, 2439, 2440, 2441, 2442, 2443, 2444, 2445, 2446, 2447, 2448, 2449, 2450, 2451, 2452, 2453, 2454, 2455, 2456, 2457, 2458, 2459, 2460, 2461, 2462, 2463, 2464, 2465, 2466, 2467, 2468, 2469, 2470, 2471, 2472, 2473, 2474, 2475, 2476, 2477, 2478, 2479, 2480, 2481, 2482, 2483, 2484, 2485, 2486, 2487, 2488, 2489, 2490, 2491, 2492, 2493, 2494, 2495, 2496, 2497, 2498, 2499, 2500, 2501, 2502, 2503, 2504, 2505, 2506, 2507, 2508, 2509, 2510, 2511, 2512, 2513, 2514, 2515, 2516, 2517, 2518, 2519, 2520, 2521, 2522, 2523, 2524, 2525, 2526, 2527, 2528, 2529, 2530, 2531, 2532, 2533, 2534, 2535, 2536, 2537, 2538, 2539, 2540, 2541, 2542, 2543, 2544, 2545, 2546, 2547, 2548, 2549, 2550, 2551, 2552, 2553, 2554, 2555, 2556, 2557, 2558, 2559, 2560, 2561, 2562, 2563, 2564, 2565, 2566, 2567, 2568, 2569, 2570, 2571, 2572, 2573, 2574, 2575, 2576, 2577, 2578, 2579, 2580, 2581, 2582, 2583, 2584, 2585, 2586, 2587, 2588, 2589, 2590, 2591, 2592, 2593, 2594, 2595, 2596, 2597, 2598, 2599, 2600, 2601, 2602, 2603, 2604, 2605, 2606, 2607, 2608, 2609, 2610, 2611, 2612, 2613, 2614, 2615, 2616, 2617, 2618, 2619, 2620, 2621, 2622, 2623, 2624, 2625, 2626, 2627, 2628, 2629, 2630, 2631, 2632, 2633, 2634, 2635, 2636, 2637, 2638, 2639, 2640, 2641, 2642, 2643, 2644, 2645, 2646, 2647, 2648, 2649, 2650, 2651, 2652, 2653, 2654, 2655, 2656, 2657, 2658, 2659, 2660, 2661, 2662, 2663, 2664, 2665, 2666, 2667, 2668, 2669, 2670, 2671, 2672, 2673, 2674, 2675, 2676, 2677, 2678, 2679, 2680, 2681, 2682, 2683, 2684, 2685, 2686, 2687, 2688, 2689, 2690, 2691, 2692, 2693, 2694, 2695, 2696, 2697, 2698, 2699, 2700, 2701, 2702, 2703, 2704, 2705, 2706, 2707, 2708, 2709, 2710, 2711, 2712, 2713, 2714, 2715, 2716, 2717, 2718, 2719, 2720, 2721, 2722, 2723, 2724, 2725, 2726, 2727, 2728, 2729, 2730, 2731, 2732, 2733, 2734, 2735, 2736, 2737, 2738, 2739, 2740, 2741, 2742, 2743, 2744, 2745, 2746, 2747, 2748, 2749, 2750, 2751, 2752, 2753, 2754, 2755, 2756, 2757, 2758, 2759, 2760, 2761, 2762, 2763, 2764, 2765, 2766, 2767, 2768, 2769, 2770, 2771, 2772, 2773, 2774, 2775, 2776, 2777, 2778, 2779, 2780, 2781, 2782, 2783, 2784, 2785, 2786, 2787, 2788, 2789, 2790, 2791, 2792, 2793, 2794, 2795, 2796, 2797, 2798, 2799, 2800, 2801, 2802, 2803, 2804, 2805, 2806, 2807, 2808, 2809, 2810, 2811, 2812, 2813, 2814, 2815, 2816, 2817, 2818, 2819, 2820, 2821, 2822, 2823, 2824, 2825, 2826, 2827, 2828, 2829, 2830, 2831, 2832, 2833, 2834, 2835, 2836, 2837, 2838, 2839, 2840, 2841, 2842, 2843, 2844, 2845, 2846, 2847, 2848, 2849, 2850, 2851, 2852, 2853, 2854, 2855, 2856, 2857, 2858, 2859, 2860, 2861, 2862, 2863, 2864, 2865, 2866, 2867, 2868, 2869, 2870, 2871, 2872, 2873, 2874, 2875, 2876, 2877, 2878, 2879, 2880, 2881, 2882, 2883, 2884, 2885, 2886, 2887, 2888, 2889, 2890, 2891, 2892, 2893, 2894, 2895, 2896, 2897, 2898, 2899, 2900, 2901, 2902, 2903, 2904, 2905, 2906, 2907, 2908, 2909, 2910, 2911, 2912, 2913, 2914, 2915, 2916, 2917, 2918, 2919, 2920, 2921, 2922, 2923, 2924, 2925, 2926, 2927, 2928, 2929, 2930, 2931, 2932, 2933, 2934, 2935, 2936, 2937, 2938, 2939, 2940, 2941, 2942, 2943, 2944, 2945, 2946, 2947, 2948, 2949, 2950, 2951, 2952, 2953, 2954, 2955, 2956, 2957, 2958, 2959, 2960, 2961, 2962, 2963, 2964, 2965, 2966, 2967, 2968, 2969, 2970, 2971, 2972, 2973, 2974, 2975, 2976, 2977, 2978, 2979, 2980, 2981, 2982, 2983, 2984, 2985, 2986, 2987, 2988, 2989, 2990, 2991, 2992, 2993, 2994, 2995, 2996, 2997, 2998, 2999, 3000, 3001, 3002, 3003, 3004, 3005, 3006, 3007, 3008, 3009, 3010, 3011, 3012, 3013, 3014, 3015, 3016, 3017, 3018, 3019, 3020, 3021, 3022, 3023, 3024, 3025, 3026, 3027, 3028, 3029, 3030, 3031, 3032, 3033, 3034, 3035, 3036, 3037, 3038, 3039, 3040, 3041, 3042, 3043, 3044, 3045, 3046, 3047, 3048, 3049, 3050, 3051, 3052, 3053, 3054, 3055, 3056, 3057, 3058, 3059, 3060, 3061, 3062, 3063, 3064, 3065, 3066, 3067, 3068, 3069, 3070, 3071, 3072, 3073, 3074, 3075, 3076, 3077, 3078, 3079, 3080, 3081, 3082, 3083, 3084, 3085, 3086, 3087, 3088, 3089, 3090, 3091, 3092, 3093, 3094, 3095, 3096, 3097, 3098, 3099, 3100, 3101, 3102, 3103, 3104, 3105, 3106, 3107, 3108, 3109, 3110, 3111, 3112, 3113, 3114, 3115, 3116, 3117, 3118, 3119, 3120, 3121, 3122, 3123, 3124, 3125, 3126, 3127, 3128, 3129, 3130, 3131, 3132, 3133, 3134, 3135, 3136, 3137, 3138, 3139, 3140, 3141, 3142, 3143, 3144, 3145, 3146, 3147, 3148, 3149, 3150, 3151, 3152, 3153, 3154, 3155, 3156, 3157, 3158, 3159, 3160, 3161, 3162, 3163, 3164, 3165, 3166, 3167, 3168, 3169, 3170, 3171, 3172, 3173, 3174, 3175, 3176, 3177, 3178, 3179, 3180, 3181, 3182, 3183, 3184, 3185, 3186, 3187, 3188, 3189, 3190, 3191, 3192, 3193, 3194, 3195, 3196, 3197, 3198, 3199, 3200, 3201, 3202, 3203, 3204, 3205, 3206, 3207, 3208, 3209, 3210, 3211, 3212, 3213, 3214, 3215, 3216, 3217, 3218, 3219, 3220, 3221, 3222, 3223, 3224, 3225, 3226, 3227, 3228, 3229, 3230, 3231, 3232, 3233, 3234, 3235, 3236, 3237, 3238, 3239, 3240, 3241, 3242, 3243, 3244, 3245, 3246, 3247, 3248, 3249, 3250, 3251, 3252, 3253, 3254, 3255, 3256, 3257, 3258, 3259, 3260, 3261, 3262, 3263, 3264, 3265, 3266, 3267, 3268, 3269, 3270, 3271, 3272, 3273, 3274, 3275, 3276, 3277, 3278, 3279, 3280, 3281, 3282, 3283, 3284, 3285, 3286, 3287, 3288, 3289, 3290, 3291, 3292, 3293, 3294, 3295, 3296, 3297, 3298, 3299, 3300, 3301, 3302, 3303, 3304, 3305, 3306, 3307, 3308, 3309, 3310, 3311, 3312, 3313, 3314, 3315, 3316, 3317, 3318, 3319, 3320, 3321, 3322, 3323, 3324, 3325, 3326, 3327, 3328, 3329, 3330, 3331, 3332, 3333, 3334, 3335, 3336, 3337, 3338, 3339, 3340, 3341, 3342, 3343, 3344, 3345, 3346, 3347, 3348, 3349, 3350, 3351, 3352, 3353, 3354, 3355, 3356, 3357, 3358, 3359, 3360, 3361, 3362, 3363, 3364, 3365, 3366, 3367, 3368, 3369, 3370, 3371, 3372, 3373, 3374, 3375, 3376, 3377, 3378, 3379, 3380, 3381, 3382, 3383, 3384, 3385, 3386, 3387, 3388, 3389, 3390, 3391, 3392, 3393, 3394, 3395, 3396, 3397, 3398, 3399, 3400, 3401, 3402, 3403, 3404, 3405, 3406, 3407, 3408, 3409, 3410, 3411, 3412, 3413, 3414, 3415, 3416, 3417, 3418, 3419, 3420, 3421, 3422, 3423, 3424, 3425, 3426, 3427, 3428, 3429, 3430, 3431, 3432, 3433, 3434, 3435, 3436, 3437, 3438, 3439, 3440, 3441, 3442, 3443, 3444, 3445, 3446, 3447, 3448, 3449, 3450, 3451, 3452, 3453, 3454, 3455, 3456, 3457, 3458, 3459, 3460, 3461, 3462, 3463, 3464, 3465, 3466, 3467, 3468, 3469, 3470, 3471, 3472, 3473, 3474, 3475, 3476, 3477, 3478, 3479, 3480, 3481, 3482, 3483, 3484, 3485, 3486, 3487, 3488, 3489, 3490, 3491, 3492, 3493, 3494, 3495, 3496, 3497, 3498, 3499, 3500, 3501, 3502, 3503, 3504, 3505, 3506, 3507, 3508, 3509, 3510, 3511, 3512, 3513, 3514, 3515, 3516, 3517, 3518, 3519, 3520, 3521, 3522, 3523, 3524, 3525, 3526, 3527, 3528, 3529, 3530, 3531, 3532, 3533, 3534, 3535, 3536, 3537, 3538, 3539, 3540, 3541, 3542, 3543, 3544, 3545, 3546, 3547, 3548, 3549, 3550, 3551, 3552, 3553, 3554, 3555, 3556, 3557, 3558, 3559, 3560, 3561, 3562, 3563, 3564, 3565, 3566, 3567, 3568, 3569, 3570, 3571, 3572, 3573, 3574, 3575, 3576, 3577, 3578, 3579, 3580, 3581, 3582, 3583, 3584, 3585, 3586, 3587, 3588, 3589, 3590, 3591, 3592, 3593, 3594, 3595, 3596, 3597, 3598, 3599, 3600, 3601, 3602, 3603, 3604, 3605, 3606, 3607, 3608, 3609, 3610, 3611, 3612, 3613, 3614, 3615, 3616, 3617, 3618, 3619, 3620, 3621, 3622, 3623, 3624, 3625, 3626, 3627, 3628, 3629, 3630, 3631, 3632, 3633, 3634, 3635, 3636, 3637, 3638, 3639, 3640, 3641, 3642, 3643, 3644, 3645, 3646, 3647, 3648, 3649, 3650, 3651, 3652, 3653, 3654, 3655, 3656, 3657, 3658, 3659, 3660, 3661, 3662, 3663, 3664, 3665, 3666, 3667, 3668, 3669, 3670, 3671, 3672, 3673, 3674, 3675, 3676, 3677, 3678, 3679, 3680, 3681, 3682, 3683, 3684, 3685, 3686, 3687, 3688, 3689, 3690, 3691, 3692, 3693, 3694, 3695, 3696, 3697, 3698, 3699, 3700, 3701, 3702, 3703, 3704, 3705, 3706, 3707, 3708, 3709, 3710, 3711, 3712, 3713, 3714, 3715, 3716, 3717, 3718, 3719, 3720, 3721, 3722, 3723, 3724, 3725, 3726, 3727, 3728, 3729, 3730, 3731, 3732, 3733, 3734, 3735, 3736, 3737, 3738, 3739, 3

"This review is for the sole purpose of ascertaining conformance with the general design concept for architectural features only, and does not in any way constitute review of the design of engineering elements which form part of the Contract Documents prepared by others. This review shall not mean that the Architect approves the detail design inherent in the shop drawings. This responsibility shall remain with the Contractor submitting same and such review shall not relieve the Contractor of his responsibility for errors or omissions in the shop drawings or of his responsibility for meeting all requirements of the Contract Documents. The Contractor is responsible for dimensions to be confirmed and correlated at the job site, for information that pertains solely to fabrication processes, or to techniques of construction and installation and for co-ordination for the work of all trades."

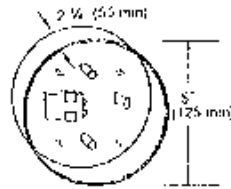
By: Doug van den Ham Date: October 26, 2018

HOBIN ARCHITECTURE INCORPORATED

4 1/2" ROUND SWITCH MOUNTING ENCLOSURES

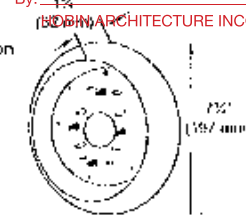
Model: CM-47

Size: 5" round, std. depth
 Type: Surface mount box
 Construction: Flame and impact resistant black polymer (ABS)
 Application: Indoor/outdoor, wired. Required for wireless.
 For Switch Series: CM-40



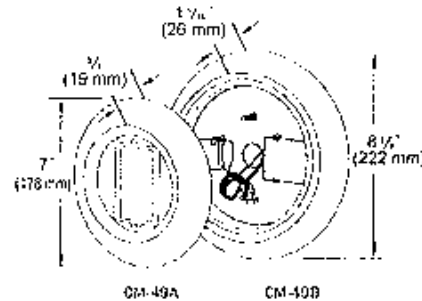
Model: CM-50S

Size: 7 3/4" round, std. depth
 Type: Surface mount escutcheon
 Construction: Heavy gauge stainless steel
 Application: Vandal resistant indoor/outdoor, wired.
 For Switch Series: CM-40



Model: CM-49

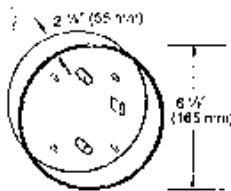
Size: 8 3/4" round, 1 13/16" depth
 Type: 2 pc. surface or semi flush mount escutcheon, gasket and adapter plate included.
 Construction: Flame and impact resistant black polymer (ABS)
 Application: Vandal resistant indoor/outdoor.
 CM-49A: Semi flush mounting on single gang electrical box, wired.
 CM-49B: Surface mount. Wired, required for wireless. Must be used with CM-49A.
 CM-49C: Adapter plate to mount CM-49A on double gang and 4" square electrical box.
 CM-49G: Gasket for CM-49A or CM-49B.
 For Switch Series: CM-40



6" ROUND SWITCH MOUNTING ENCLOSURES

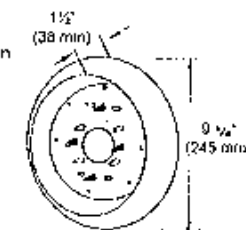
Model: CM-69S

Size: 6 1/2" round, std. depth
 Type: Surface mount box
 Construction: Flame and impact resistant black polymer (ABS)
 Application: Indoor/outdoor, wired. Required for wireless.
 For Switch Series: CM-60



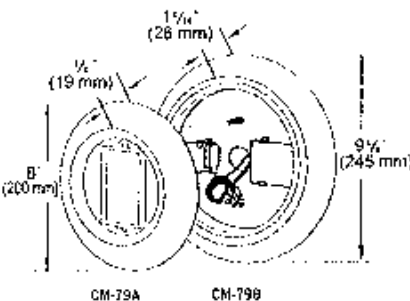
Model: CM-60S

Size: 9 5/8" round, std. depth
 Type: Surface mount escutcheon
 Construction: Heavy gauge stainless steel
 Application: Vandal resistant indoor/outdoor, wired.
 For Switch Series: CM-60



Model: CM-79

Size: 9 5/8" round, 1 13/16" depth
 Type: 2 pc. surface and semi flush mount escutcheon, gasket and adapter plate included.
 Construction: Flame and impact resistant black polymer (ABS)
 Application: Vandal resistant indoor/outdoor.
 CM-79A: Semi flush mounting on single gang electrical box, wired.
 CM-79B: Surface mount. Wired, required for wireless. Must be used with CM-79A.
 CM-79C: Adapter plate to mount CM-79A on double gang and 4" square electrical box.
 CM-79G: Gasket for CM-79A or CM-79B.
 For Switch Series: CM-60



5902 Herkula Blvd. Mississauga, ON Canada L4W 2T7 • Tel: 1-877-225-7559 (CANADIAN)
 Tel: (905) 366-3117 • Fax: (905) 366-3970 • Email: info@camdencontrols.com • www.camdencontrols.com
 SPC-MOUNTING00AES-2018-RevB



Merlin Door Systems Ltd.
 29 Celopatra Drive
 Ottawa, ON, K2G 0B6

Dovercourt Phase 2 Addition & Renovation
 411 Dovercourt, Ottawa
 Job No. X-313


Submission Date: August 28, 2018

eXPRESS

PUSH/EXIT SWITCHES

**CM-60
6" ROUND ALL-ACTIVE SWITCHES**





FEATURES

- LARGE, EASY TO OPERATE SWITCHES
- 6" ROUND
- ALL-ACTIVE DESIGN REQUIRES MINIMAL ACTIVATION FORCE
- DURABLE STAINLESS STEEL OR SOLID BRASS CONSTRUCTION
- MEETS ADA REQUIREMENTS
- FLUSH MOUNT OR SURFACE MOUNT
- UL/CSA APPROVED SPDT MOMENTARY SWITCH, RATED 15 AMPS @ 30V AC
- VARIOUS FONTS & MESSAGES
- ARCHITECTURAL FINISHES

CM-60/2

DESCRIPTION

CAMDEN DOOR CONTROLS CM-60 Series all-active switches are heavy-duty, ADA compliant door controls. The 6" round faceplates are stainless steel or solid brass, and the assembly is designed for easy installation in single gang electrical boxes, or with included adapter plate - double gang and 4x4 boxes. The SPDT and optional DPDT switches are UL/CSA approved, and rated 15 amps @ 30 VAC.

APPLICATION

Camden all-active switches are designed for areas where an easy to activate, high-visibility switch is desired. Ideal for high-traffic areas, hospitals, wheelchair access, seniors' residences, etc. They can be surface or flush mounted.

Camden all-active switches are designed to control electric strikes, electromagnets, locks and automatic doors. They may also be used for shunting, bypassing alarms, request to exit, timed functions and many other applications.

The switches are made for high frequency usage, for both indoor and outdoor environments. Camden switches are versatile, and can be supplied in various configurations and finishes, to suit any commercial, industrial or residential application.



CM-60/3



CM-60/4

SHOP DRAWING REVIEW

- REVIEWED
- REVIEWED AS NOTED
- REVISE AND RESUBMIT



"This review is for the sole purpose of ascertaining conformance with the general design concept for architectural features only, and does not in any way constitute review of the design of engineering elements which form part of the Contract Documents prepared by others. This review shall not mean that the Architect approves the detail design inherent in the shop drawings. This responsibility shall remain with the Contractor submitting same, and such review shall not relieve the Contractor of his responsibility for errors or omissions in the shop drawings or of his responsibility for meeting all requirements of the Contract Documents. The Contractor is responsible for dimensions to be confirmed and correlated at the job site, for information that pertains solely to fabrication processes, or to techniques of construction and installation and for co-ordination for the work of all trades."

By: Doug van den Ham Date: October 26, 2018
HOBIN ARCHITECTURE INCORPORATED



5602 Timberlea Blvd. Mississauga, ON Canada L4W 2T7 • Toll Free: 1 877 228-3368 (CAMDEN9)
Tel: (905) 366-3377 • Fax: (905) 366-3378 • E-mail: info@camdencontrols.com • www.camdencontrols.com

PUSH BUTTONS



Merlin Door Systems Ltd.
29 Celopatra Drive
Ottawa, ON, K2G 0B6

Dovercourt Phase 2 Addition & Renovation
411 Dovercourt, Ottawa
Job No. X-313

Submittal Date: August 28, 2018

6" ROUND ALL-ACTIVE SWITCHES

ARCHITECTS/ENGINEERS SPECIFICATIONS

The switches to be used throughout the project shall be CAMDEN DOOR CONTROLS CM 60 all-active switches.

The switches shall be easy-to-activate, ADA compliant and 6" round in diameter. Switches shall be all-active, whereby pressing any part of the faceplate will activate the device. Faceplates shall be constructed of 18 gauge stainless steel or solid brass, and have concealed mounting screws for tamper resistance. Switches shall use plastic spacers and rubber dampers for noise reduction. Switches shall be rated at a minimum of 15 amps @ 30 VDC.

Their design shall allow mounting in single-gang electrical boxes, or with included adapter plate - double-gang and 4x4 boxes.

ORDERING INFORMATION

All CM 60 series all-active switches are complete ready-to-install assemblies. They are supplied with stainless steel Allen screws and Allen wrench for mounting.

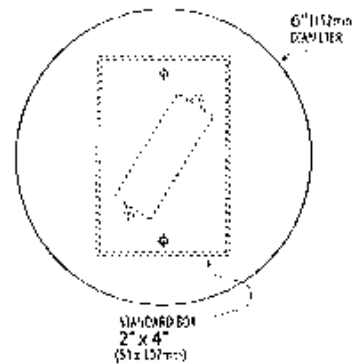
MODEL	DESCRIPTION
CM-60	6" ROUND
CM-6071	ROUND STAINLESS STEEL PLATE, NO EMBOSING
CM-6072	EMBOSSED WITH WHEELCHAIR LOGO IN BLACK
CM-6073	EMBOSSED WITH PUSH TO OPEN LOGO IN BLACK
CM-6074	EMBOSSED WITH WHEELCHAIR LOGO AND PUSH TO OPEN LOGO IN BLUE
CM-6075	EMBOSSED WITH WHEELCHAIR LOGO AND POUSSEZ POUR OUVRIRE IN BLUE
CM-6076	EMBOSSED WITH POUSSEZ POUR OUVRIRE IN BLACK
CM-607C	CUSTOM ENGRAVING, PLEASE SPECIFY WHEN ORDERING

OPTIONS/FINISHES:

- DP Add DP to product # to order DPDT switch instead of SPDT switch
- WR Add WR to product # for weather resistant boot
- WF Add WF to product # for boot and water tight coating
- AL Add AL to product # for arrow left
- AR Add AR to product # for arrow right
- AB Add AB to product # for antique brass finish (JUS5/C5)
- PB Add PB to product # for polished brass finish (JUS3/C3)
- SB Add SB to product # for satin brass finish (JUS4/C4)
- OB Add OB to product # for oil rub bronze finish (JUS10B/C10B)
- MS Add MS to product # for mirrored stainless steel finish (JUS32/C32)



CM-60



CM-60

SHOP DRAWING REVIEW

- REVIEWED
- REVIEWED AS NOTED
- REVISE AND RESUBMIT



"This review is for the sole purpose of ascertaining conformance with the general design concept for architectural features only, and does not in any way constitute review of the design of engineering elements which form part of the Contract Documents prepared by others. This review shall not mean that the Architect approves the detail design inherent in the shop drawings. This responsibility shall remain with the Contractor submitting same, and such review shall not relieve the Contractor of his responsibility for errors or omissions in the shop drawings or of his responsibility for meeting all requirements of the Contract Documents. The Contractor is responsible for dimensions to be confirmed and correlated at the job site, for information that pertains solely to fabrication processes, or to techniques of construction and installation and for co-ordination for the work of all trades."

By: Doug van den Ham Date: October 26, 2018
HOBIN ARCHITECTURE INCORPORATED



5972 Torbride Blvd #1st floor, Oak Canada, L4W 2T7 • Toll Free: 1 877 276-3159 (CANADA)
Tel: (416) 588-3377 • Fax: (416) 585-3378 • E-mail: info@camdencontrols.com • www.camdencontrols.com
LT-SP-60



Certified ISO 9001:2008

CS 04732



Merlin Door Systems Ltd.
29 Celopatra Drive
Ottawa, ON, K2G 0B6

Dovercourt Phase 2 Addition & Renovation
411 Dovercourt, Ottawa
Job No. X-313

Submittal Date: August 28, 2018

**ELECTRIFIED LOCKS,
RELAYS & TIMERS**

RESTROOM CONTROL KITS

**IN THE EVENT OF AN EMERGENCY
PUSH EMERGENCY BUTTON
AND AUDIBLE AND VISUAL SIGNAL
WILL ACTIVATE**



CX-WEC10 KIT

CX-WEC SERIES

**EMERGENCY CALL SYSTEM FOR UNIVERSAL &
BARRIER FREE RESTROOMS**

FEATURES

- A COMPLETE EQUIPMENT PACKAGE SPECIFICALLY DESIGNED TO MEET THE REQUIREMENTS OF ONTARIO REG. 368/13 AMENDMENT TO 2012 OBC FOR BARRIER FREE & UNIVERSAL RESTROOMS.
- DESIGNED FOR UNIVERSAL RESTROOMS WITH OR WITHOUT LOW ENERGY DOOR OPERATORS.
- FOR USE WITH CAMDEN CX-WC SERIES BARRIER FREE RESTROOM CONTROL KITS.
- AUDIBLE AND VISUAL ANNUNCIATION WITHIN RESTROOM DESIGNED TO CONFIRM A REQUEST FOR ASSISTANCE WITHOUT DISTURBING OCCUPANT. ANNUNCIATION IS ACTIVATED UNTIL MUSH-ROOM BUTTON IS PULLED 'OFF'.
- AUDIBLE AND VISUAL ANNUNCIATION OUTSIDE RESTROOM OF AN EMERGENCY CONDITION
- 3 YEAR WARRANTY

DESCRIPTION

Camden Door Control CX-WEC Series is an equipment package designed to meet the latest building code requirements for universal restrooms. The kit includes a CM 450R/12 maintained push/pull mushroom button, that activates/ deactivates a call for emergency assistance. Audible and visual annunciation of the request is provided inside the restroom by the CM-AF50150 single gang LED annunciator with sounder, and outside the restroom by the CM-AF14050 single gang dome light with sounder. The equipment package also includes a CM-SE21A 'IN THE EVENT OF AN EMERGENCY' sign, with 1" (25mm) lettering, as required by code.

APPLICATION

Camden Door Controls CX-WEC Series emergency call systems provide a complete equipment package for compliance with building code requirements. They are designed for universal restrooms with or without low energy door operators. The kit includes activation switch, audible and visual annunciation and signage.

SHOP DRAWING REVIEW

- REVIEWED
- REVIEWED AS NOTED
- REVISE AND RESUBMIT



"This review is for the sole purpose of ascertaining conformance with the general design concept for architectural features only, and does not in any way constitute review of the design of engineering elements which form part of the Contract Documents prepared by others. This review shall not mean that the Architect approves the detail design inherent in the shop drawings. This responsibility shall remain with the Contractor submitting same, and such review shall not relieve the Contractor of his responsibility for errors or omissions in the shop drawings or of his responsibility for meeting all requirements of the Contract Documents. The Contractor is responsible for dimensions to be confirmed and correlated at the job site, for information that pertains solely to fabrication processes, or to techniques of construction and installation and for co-ordination for the work of all trades."

By: Doug van den Ham Date: October 26, 2018
HOBIN ARCHITECTURE INCORPORATED



5502 Timberlea Blvd. Mississauga, ON Canada L4W 2T7 • Toll Free: 1 877 226-3689 (CAMDEN9)
Tel: (905) 366-3377 • Fax: (905) 366-3378 • E-mail: info@camdencontrols.com • www.camdencontrols.com

RELAYS & TIMERS



Merlin Door Systems Ltd.
29 Celopatra Drive
Ottawa, ON, K2G 0B6

Dovercourt Phase 2 Addition & Renovation
411 Dovercourt, Ottawa
Job No. X-313

Submittal Date: August 28, 2018

EMERGENCY CALL SYSTEM FOR UNIVERSAL & BARRIER FREE RESTROOMS

ARCHITECTS/ENGINEERS SPECIFICATION

Universal restroom 'EMERGENCY ASSISTANCE' signal activation, annunciation and supporting signage shall be Camden Door Controls model CX-WEC10/CX-WEC11 universal restroom control kit.

The kit shall include:

CM-450R/12 single gang mushroom push button, brushed stainless steel faceplate and red button, maintained push/pull operation with 'PRESS FOR EMERGENCY ASSISTANCE' permanently laser etched on the faceplate.

CM-AF501S0 single gang LED annunciator with sounder, rated 85dB at 10cm, weather and vandal resistant construction, brushed stainless steel faceplate, with 'ASSISTANCE REQUESTED' message text, that is not legible unless the annunciator is energized.

CM-AF140S0 single gang dome light with piezo sounder, rated 93dB at 1 meter, brushed stainless steel faceplate and 24V incandescent bulb. Text shall be: 'ASSISTANCE REQUIRED'.

CM-SE21A sign, to be located above the activation switch, 1/16" (1.6mm), 6"H x 10 5/8"W, (152mm x 270mm), fire rated expanded PVC white with, 25mm red lettering. Text shall be: 'IN THE EVENT OF AN EMERGENCY PUSH EMERGENCY BUTTON AND AUDIBLE AND VISUAL SIGNAL WILL ACTIVATE'.

CM-450R/12

1 5/8" MUSHROOM PUSH BUTTON, PUSH/PULL, 'PRESS FOR EMERGENCY ASSISTANCE'

- PUSH/PULL MAINTAINED OPERATION
- SINGLE GANG STAINLESS STEEL FACEPLATE
- IMPACT RESISTANT BUTTON AND METAL COLLAR
- TEXT IS PERMANENTLY LASER ETCHED ON FACEPLATE
- HEAVY DUTY 10 AMP CONTACTS, N/C & N/C



CM-450R/12

CM-AF140S0

SINGLE GANG DOME LIGHT, WITH SOUNDER, 'ASSISTANCE REQUIRED'

- 180° VISIBILITY WHEN ILLUMINATED
- LOUD 93 DB PIEZO SOUND ALERT
- NO TOOLS REQUIRED TO CHANGE INCANDESCENT BULB
- SINGLE GANG HEAVY DUTY BRUSHED STAINLESS STEEL FACEPLATE



CM-AF140S0

CM-AF501S0

SINGLE GANG ANNUNCIATOR, WITH SOUNDER, 'ASSISTANCE REQUESTED'

- 'ASSISTANCE REQUESTED' MESSAGE ONLY LEGIBLE UPON ACTIVATION
- SUPER BRIGHT LED ILLUMINATION
- SINGLE GANG HEAVY DUTY BRUSHED STAINLESS STEEL FACEPLATE
- 85 DB PIEZO SOUND ALERT IS DESIGNED TO CONFIRM REQUEST WITHOUT DISTURBING OCCUPANT IN SMALL ENCLOSED SPACE



CM-AF501S0

CM-SE21A

SIGNAGE FOR UNIVERSAL RESTROOMS

- COMPLES WITH ONTARIO BUILDING CODE REQUIREMENTS
- WHITE, 1/16" (1.6mm) THICK PANEL, 6"H X 10 5/8"W, (152mm x 270mm)
- FIRE RATED EXPANDED PVC
- RED 1" (25mm) LETTERING
- EASILY MOUNTED TO WALL (GLUE OR SCREWS)

IN THE EVENT OF AN EMERGENCY
PUSH EMERGENCY BUTTON
AND AUDIBLE AND VISUAL SIGNAL
WILL ACTIVATE

CM-SE21A



Merlin Door Systems Ltd.
29 Celopatra Drive
Ottawa, ON, K2G 0B6

Dovercourt Phase 2 Addition & Renovation
411 Dovercourt, Ottawa
Job No. X-313

Submittal Date: August 28, 2018

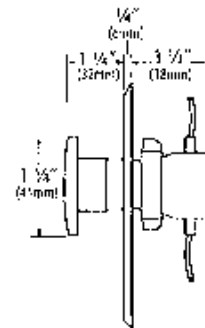
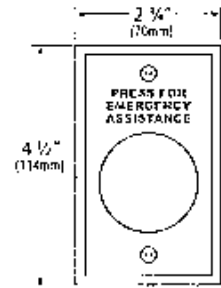
EMERGENCY CALL SYSTEM FOR UNIVERSAL & BARRIER FREE RESTROOMS

SPECIFICATION

CM-450R/12

MUSHROOM PUSH BUTTON, PUSH/PULL, 'PRESS FOR EMERGENCY ASSISTANCE'

VOLTAGE: 12/24V AC/DC
 CONTACT TYPE: DPSI
 CONTACT RATING: 10 AMPS
 TEMP RANGE: -13°F TO 158°F (-25°C TO 75°C)
 SWITCH LIFE: 100,000 CYCLES
 DIMENSIONS: 4 1/2" H x 2 3/4" W x 1 3/4" D
 (114mm x 70mm x 44mm)
 STD. FINISH: STAINLESS STEEL

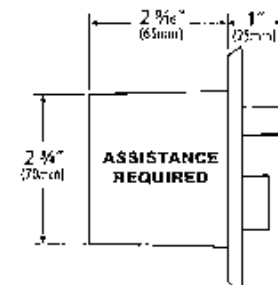
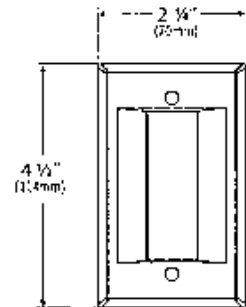


CM-450R/12

CM-AF14050

SINGLE GANG DOME LIGHT, WITH SOUNDER, 'ASSISTANCE REQUIRED'

VOLTAGE: 24 VDC
 ILLUMINATION: INCANDESCENT BULB
 SOUNDER: PIEZO, 93 DB MAX AT 39.4" (1,000mm)
 CURRENT RATING: PIEZO, 20mA MAX.
 TEMP RANGE: 32°F - 176°F (0°C - 80°C)
 DIMENSIONS: 4 1/2" H x 2 3/4" W x 1 1/2" D
 (114mm x 70mm x 25mm)
 STD. FINISH: STAINLESS STEEL

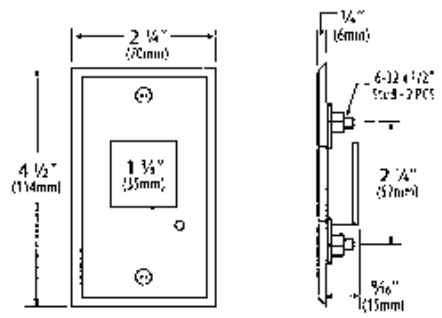


CM-AF14050

CM-AF50150

SINGLE GANG ANNUNCIATOR, WITH SOUNDER, 'ASSISTANCE REQUESTED' (MESSAGE ONLY APPEARS UPON ACTIVATION)

VOLTAGE: 24 VDC
 ILLUMINATION: SUPER BRIGHT LEDs
 SOUNDER: PIEZO, 85 DB AT 4" (101mm)
 CURRENT DRAW: 75mA, MAX
 TEMP RANGE: 32°F - 176°F (0°C - 80°C)
 DIMENSIONS: 4 1/2" H x 2 3/4" W x 5/16" D
 (114mm x 70mm x 15mm)
 STD. FINISH: STAINLESS STEEL



CM-AF50150



Merlin Door Systems Ltd.
 29 Celopatra Drive
 Ottawa, ON, K2G 0B6

Dovercourt Phase 2 Addition & Renovation
 411 Dovercourt, Ottawa
 Job No. X-313

Submission Date: August 28, 2018

EMERGENCY CALL SYSTEM FOR UNIVERSAL & BARRIER FREE RESTROOMS

ORDERING INFORMATION

EQUIPMENT PACKAGE

- CX-WEC10:** UNIVERSAL RESTROOM KIT FOR USE WITHOUT AUTOMATIC DOOR OPERATOR, OR WITH CX-WC 10, 11, 12, 13 & 14 BARRIER-FREE RESTROOM CONTROL KIT.
INCLUDES: CM-450R/12 'PRESS FOR EMERGENCY ASSISTANCE' MUSHROOM PUSH BUTTON, CM-AF50150 LED ANNUNCIATOR WITH SOUNDER, CM-AF14050 DOME LIGHT WITH SOUNDER AND CM-SE21A WHITE PANEL SIGN 6" X 10 5/8" (152MM x 270MM).
ADD SUFFIX 'F' TO MODEL NUMBER FOR FRENCH LANGUAGE
- CX-WEC11:** UNIVERSAL RESTROOM KIT FOR USE WITH CX-WC 15 BARRIER-FREE RESTROOM CONTROL KIT
AS ABOVE WITHOUT CM-450R/12 PUSH BUTTON.
ADD SUFFIX 'F' TO MODEL NUMBER FOR FRENCH LANGUAGE.

COMPONENTS

- CM-450R/12:** MUSHROOM PUSH BUTTON, SINGLE GANG, STAINLESS STEEL FACIPLATE, PUSH/PULL, 'PRESS FOR EMERGENCY ASSISTANCE'
ADD SUFFIX 'F' TO MODEL NUMBER FOR FRENCH LANGUAGE. "
- CM-AF14050:** SINGLE GANG DOME LIGHT WITH SOUNDER, 'ASSISTANCE REQUIRED'.
ADD SUFFIX 'F' TO MODEL NUMBER FOR FRENCH LANGUAGE.
ADD SUFFIX 'BE' TO MODEL NUMBER FOR ENGLISH & FRENCH BILINGUAL LANGUAGE.
- CM-AF50150:** SINGLE GANG LED ANNUNCIATOR WITH SOUNDER, 'ASSISTANCE REQUESTED'.
ADD SUFFIX 'F' TO MODEL NUMBER FOR FRENCH LANGUAGE
- CM-SE21A:** ENGLISH, SOLID WHITE SIGN, 6" H X 10 5/8" W (152MM x 270MM).
'IN THE EVENT OF AN EMERGENCY PUSH EMERGENCY BUTTON AND AUDIBLE AND VISUAL SIGNAL WILL ACTIVATE'

OPTIONAL SIGNAGE

- CM-SE21B:** ENGLISH SIGN, WHITE SELF ADHESIVE VINYL,
6" H X 10 5/8" W (152MM x 270MM).
'IN THE EVENT OF AN EMERGENCY PUSH EMERGENCY BUTTON AND AUDIBLE AND VISUAL SIGNAL WILL ACTIVATE'
- CM-SF20A:** FRENCH, SOLID WHITE SIGN,
6" H X 10 5/8" W (152mm x 270mm)
'DANS LE CAS D'UNE URGENCE POUSSER LE BOUTON D'URGENCE POUR ACTIVER LE SIGNAL SONORE ET VISUEL'
- CM-SF20B:** FRENCH, WHITE VINYL SELF ADHESIVE SIGN,
6" H X 10 5/8" W (152mm x 270mm)
'DANS LE CAS D'UNE URGENCE POUSSER LE BOUTON D'URGENCE POUR ACTIVER LE SIGNAL SONORE ET VISUEL'

POWER OPTION

- CX-TRK-2450:** 24VAC, 40VA STANDARD MOUNT TRANSFORMER AND AC/DC RECTIFIER

SHOP DRAWING REVIEW

- REVIEWED
- REVIEWED AS NOTED
- REVISE AND RESUBMIT



"This review is for the sole purpose of ascertaining conformance with the general design concept for architectural features only, and does not in any way constitute review of the design of engineering elements which form part of the Contract Documents prepared by others. This review shall not mean that the Architect approves the detail design inherent in the shop drawings. This responsibility shall remain with the Contractor submitting same, and such review shall not relieve the Contractor of his responsibility for errors or omissions in the shop drawings or of his responsibility for meeting all requirements of the Contract Documents. The Contractor is responsible for dimensions to be confirmed and correlated at the job site, for information that pertains solely to fabrication processes, or to techniques of construction and installation and for co-ordination for the work of all trades."

By: Doug van den Ham Date: October 26, 2018
HOBIN ARCHITECTURE INCORPORATED



5502 Amherst Blvd. Mississauga, ON Canada L4W 2T7 • Tel: 905-276-3399 (CAMDENHQ)
Tel: (905) 276-3377 • Fax: (905) 276-3578 • Email: info@camdencontrols.com • www.camdencontrols.com



Certified ISO 9001:2008

LT-SP-CX-WEC-R1

1/3/2017/22



Merlin Door Systems Ltd.
29 Celopatra Drive
Ottawa, ON, K2G 0B6

Dovercourt Phase 2 Addition & Renovation
411 Dovercourt, Ottawa
Job No. X-313

Submission Date: August 28, 2018

KANTECH

From Tyco Security Products

T.Rex Request to Exit Detector



Features That Make a Difference:

- Accurate and adjustable detection zone
- Horizontal and vertical adjustment
- Unlocks or slams door automatically
- Hands-free, no buttons to push

The Smart Exit Detector

T.Rex provides a complete solution to exit detection and door surveillance for access control applications. Outstanding innovations such as horizontal and vertical Detection Zone Targeting and DSP (Digital Signal Processing) make T.Rex the fastest and most reliable exit detector on the market today.

Horizontal and vertical targeting adds an extra layer of security by adjusting the detection zone. The detection area of the

T.Rex can be adjusted so that it will not "hit" the floor along the doorjamb, defeating any attempt to circumvent door supervision by sliding objects under the door.

In addition, it uses infrared detection coupled with DSP sampling to allow the T.Rex to accurately detect exits and prevent false "Door Forced Open" alarms.

SHOP DRAWING REVIEW

REVIEWED



REVIEWED AS NOTED



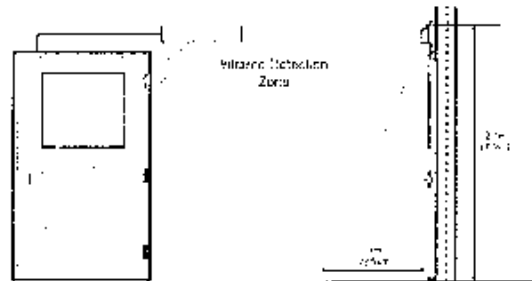
REVISE AND RESUBMIT



"This review is for the sole purpose of ascertaining conformance with the general design concept for architectural features only, and does not in any way constitute review of the design of engineering elements which form part of the Contract Documents prepared by others. This review shall not mean that the Architect approves the detail design inherent in the shop drawings. This responsibility shall remain with the Contractor submitting same, and such review shall not relieve the Contractor of his responsibility for errors or omissions in the shop drawings or of his responsibility for meeting all requirements of the Contract Documents. The Contractor is responsible for dimensions to be confirmed and correlated at the job site, for information that pertains solely to fabrication processes, or to techniques of construction and installation and for co-ordination for the work of all trades."

By: Doug van den Ham Date: October 26, 2018
HOBIN ARCHITECTURE INCORPORATED

Installation and Detection Pattern



Simple Two-Step Installation:

1. **Choose Location**
 - Recommended locations include door header, wall or ceiling
 - Ensure clear line of sight from detector to every part of detection area
 - Detection zone pattern is down and away from door (to help tampering)
 - Do not place detector directly across from a window
2. **Adjust**
 - Can be adjusted to detect an individual either in line of door or several steps away from door
 - Detection zone shape and target direction is set by turning lower detection screws.

www.kantech.com



Merlin Door Systems Ltd.
29 Celopatra Drive
Ottawa, ON, K2G 0B6

Dovercourt Phase 2 Addition & Renovation
411 Dovercourt, Ottawa
Job No. X-313

Submittal Date: August 28, 2018

KANTECH

From Tyco Security Products

General

Detector Type	Passive Infrared
Filter Technology	3.4µm Infrared (Door only, DDP)
Detector Lens	Acrylic (Type I) or Polycarbonate
Detection Range	
Narrow Targeting Area	3 m (10 ft)
Wide Body	8 m (26 ft)
Power Budget	90 dB at 28 VDC, 5-28 VDC, 20 mA (31.5 W) (avg)
Main Relay Contacts	SPDT, 1A max @ 28 VDC max
Main Relay Time	Adjustable, 0.5 to 60 seconds
Main Relay Bypass Feature	Yes, 0.75 seconds on
Lock Control Relay	Available on X12 and X12 models only, solid-state relay, N.C. 2A max @ 30 VDC, timed at 2 seconds (avg)
Igniter Switch	N.C., 100 mA max @ 28 VDC max
Indicator Light	Red/Green LED
Mounting	Options: backplate available for mounting the T370 on a standard single gang electrical box

Physical

Dimensions (H x W x D)	4.5 x 19 x 4.75 in. (11.7 x 47.25 x 11.75 cm)
------------------------	--

Electrical

Power Consumption	12.28 WDC, 50 mA
-------------------	------------------

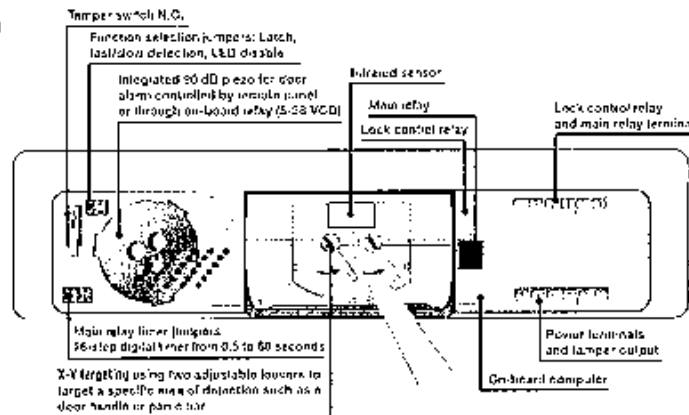
Regulatory

Certifications	UL294, C7, FCC, UL6
----------------	---------------------

Model Numbers

TREX-IT	TREX request-to-exit detector with tamper and timer, black
TREX-IT-PI	TREX request-to-exit detector with tamper and timer, white (tampered)
TREX-IT-PI	TREX request-to-exit detector with tamper, timer and 2 relays, white
TREX-IT-PI-NT	TREX request-to-exit detector with tamper, timer and 2 relays, white (not tampered)
TREX-X1	TREX request-to-exit detector with tamper, piezo buzzer, timer and timer, white
TREX-X1-PI	TREX request-to-exit detector with tamper, piezo buzzer, timer and timer, white (tampered)
TREX-X1-PI-K	TREX request-to-exit detector with tamper, piezo buzzer, timer and 2 relays, black
TREX-X1-PI-NT	TREX request-to-exit detector with tamper, piezo buzzer, timer and 2 relays, white
TREX-X1-2-NT	TREX request-to-exit detector with tamper, piezo buzzer, timer and 2 relays, white (tampered)
TREX-X1-2B-K	TREX request-to-exit detector with tamper, piezo buzzer, timer and 2 relays, black
TREX-S-ATC	Single-gang lock mounting back plate white

Product Diagram



Related Products



Approvals



www.kantech.com



Merlin Door Systems Ltd.
29 Celopatra Drive
Ottawa, ON, K2G 0B6

Dovercourt Phase 2 Addition & Renovation
411 Dovercourt, Ottawa
Job No. X-313

Submittal Date: August 28, 2018



The Dorex 9500 series heavy-duty push pad exit device offers a sophisticated contoured design and is available with a wide variety of exterior trim and accessory options. This exit device is ideal for use on wood or hollow metal doors and offers exceptional performance for commercial or institutional high traffic applications.

www.dorex.com

SHOP DRAWING REVIEW

- REVIEWED
- REVIEWED AS NOTED
- REVISE AND RESUBMIT



"This review is for the sole purpose of ascertaining conformance with the general design concept for architectural features only, and does not in any way constitute review of the design of engineering elements which form part of the Contract Documents prepared by others. This review shall not mean that the Architect approves the detail design inherent in the shop drawings. This responsibility shall remain with the Contractor submitting same, and such review shall not relieve the Contractor of his responsibility for errors or omissions in the shop drawings or of his responsibility for meeting all requirements of the Contract Documents. The Contractor is responsible for dimensions to be confirmed and correlated at the job site, for information that pertains solely to fabrication processes, or to techniques of construction and installation and for co-ordination for the work of all trades."

By: Doug van den Ham Date: October 26, 2018
 HOBIN ARCHITECTURE INCORPORATED



Merlin Door Systems Ltd.
 29 Celopatra Drive
 Ottawa, ON, K2G 0B6

Dovercourt Phase 2 Addition & Renovation
 411 Dovercourt, Ottawa
 Job No. X-313

Submittal Date: August 28, 2018



9500 SERIES EXIT DEVICES

SPECIFICATION

Exit devices shall be Dorco 9500 series. Exit devices shall be push/pull type and meet ANSI/BHMA A156.3, Grade 1 requirements, be UL listed for Panic Hardware; and/or 3 hour Fire Exit Hardware. Exit devices shall be field sizeable for door widths of 30" (762 mm) to 36" (914 mm) or 36" (914 mm) to 48" (1219 mm) and project no more than 2 1/2" (64 mm) from the door face. Rim exit devices shall be non-handed, have a stainless steel 3/4" (19 mm) throw latch bolt, have stainless steel springs. Vertical rod exit devices shall have surface mounted rods, be handed and field reversible, be capable of being field modified to less bottom rod configuration. Vertical rod exit devices shall have an auxiliary fire latch for fire rated openings in less bottom rod configuration. Non fire rated exit devices shall have hex-key dogging. The exit device shall be supplied with all the necessary mounting fasteners. **OPTIONAL:** Exit devices shall have a variety of optional outside trims. Extension kits for 2 1/4" (57 mm) thick doors shall be optionally available for lever, knob, escutcheon and thumbpiece trims. Exit devices shall accept optional cylinder-dogging, request-to-exit switch, exit alarm and glass bead spacer kits.

SELECTION GUIDE

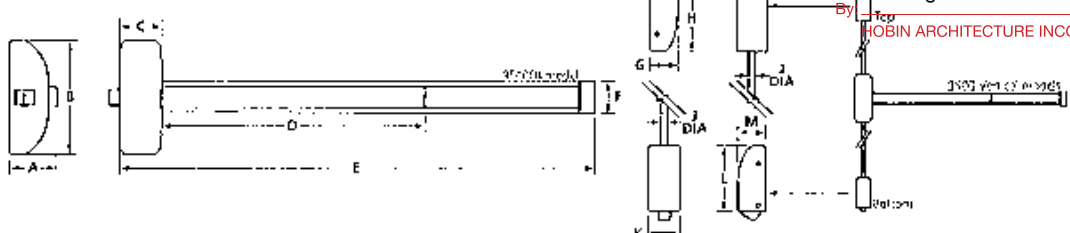
MODEL NUMBER	TYPE	DESCRIPTION	DOOR WIDTH	DOOR HEIGHT	FINISH	PER CASE	WEIGHT LBS/KG
9500PR3		Rim exit device, non-handed	30 to 36 (762 to 914)	N/A			40.0 / 18.2
9500PR4	"Panic Hardware" labeled models with touch pad dogging	Surface vertical rod exit device, handed	36 to 48 (914 to 1219)				49.5 / 22.5
9500PV37		Surface vertical rod exit device, handed	30 to 36 (762 to 914)	Max. 84 (2134)			51.0 / 23.2
9500PV48		Surface vertical rod exit device, handed	36 to 48 (914 to 1219)	Max. 96 (2438)			58.6 / 26.6
9500FR3		Rim exit device, non-handed	30 to 36 (762 to 914)	N/A	28, 320	4	43.6 / 19.8
9500FR4		Rim exit device, non-handed	36 to 48 (914 to 1219)				52.7 / 23.7
9500FV37	"Fire Exit Hardware" labeled models*, 3 hour rating, non-dogging	Surface vertical rod exit device, handed	30 to 36 (762 to 914)	Max. 84 (2134)			60.5 / 27.5
9500FV48		Surface vertical rod exit device, handed	36 to 48 (914 to 1219)	Max. 96 (2438)			70.0 / 31.8
9500FL37		Surface vertical rod exit device less bottom rod, handed	30 to 36 (762 to 914)	Max. 84 (2134)			52.0 / 23.6
9500FL48		Surface vertical rod exit device less bottom rod, handed	36 to 48 (914 to 1219)	Max. 96 (2438)			61.0 / 27.5

* Only for installation on doors labeled for Fire Exit Hardware

FEATURES

- Push/pull type
 - Rim (non-handed)
 - Surface vertical (handed, reversible)
- Field sizeable
- Stainless steel latch bolt with 3/4" (19 mm) throw
- Stainless steel springs
- Comforms to ANSI/BHMA A156.3, Grade 1
- Dogging by hex key on non-fire labeled models
 - Optional key cylinder dogging available

SIZE CHART



MODEL NUMBER	A	B	C	D	E	F	G	H	I	J DIA	K	L	M
9500PR3				21 1/2 (544)	32 1/2 (825)								
9500PR4				27 1/2 (699)	44 1/2 (1130)								
9500PV37	2 1/2 (63)	2 11/16 (53)	2 11/16 (53)	21 13/16 (554)	32 1/2 (825)	2 1/8 (54)	1 11/16 (43)		2 1/8 (54)				
9500PV48				27 1/2 (699)	44 1/2 (1130)						2 1/8 (54)	3 15/16 (100)	1 5/8 (41)
9500FV37				21 13/16 (554)	32 1/2 (825)			3 15/16 (100)		1/2 (12.7)			
9500FV48				27 1/2 (699)	44 1/2 (1130)				2 5/8 (64)				
9500FL37				21 13/16 (554)	32 1/2 (825)								
9500FL48				27 1/2 (699)	44 1/2 (1130)						N/A	N/A	N/A

28 - Aluminum 32D - Satin stainless steel DIA - Diameter N/A - Not applicable
 Dimensions unless specified otherwise are: inches (Millimeters)

www.dorco.com

SHOP DRAWING REVIEW

- REVIEWED
- REVIEWED AS NOTED
- REVISE AND RESUBMIT



This review is for the sole purpose of ascertaining conformance with the general design concept for architectural features only, and does not in any way constitute review of the shop drawings. This responsibility shall remain with the Contractor submitting same, and such review shall not relieve the Contractor of his responsibility for errors or omissions in the shop drawings or of his responsibility for meeting all requirements of the Contract Documents. The Contractor is responsible for dimensions to be confirmed and correlated at the job site, for information that pertains solely to fabrication processes, or to techniques of construction and installation and for co-ordination for the work of all trades.

Doug van den Ham
 Date: October 26, 2018
 HOBIN ARCHITECTURE INCORPORATED



Merlin Door Systems Ltd.
 29 Celopatra Drive
 Ottawa, ON, K2G 0B6

Dovercourt Phase 2 Addition & Renovation
 411 Dovercourt, Ottawa
 Job No. X-313

Submission Date: August 28, 2018



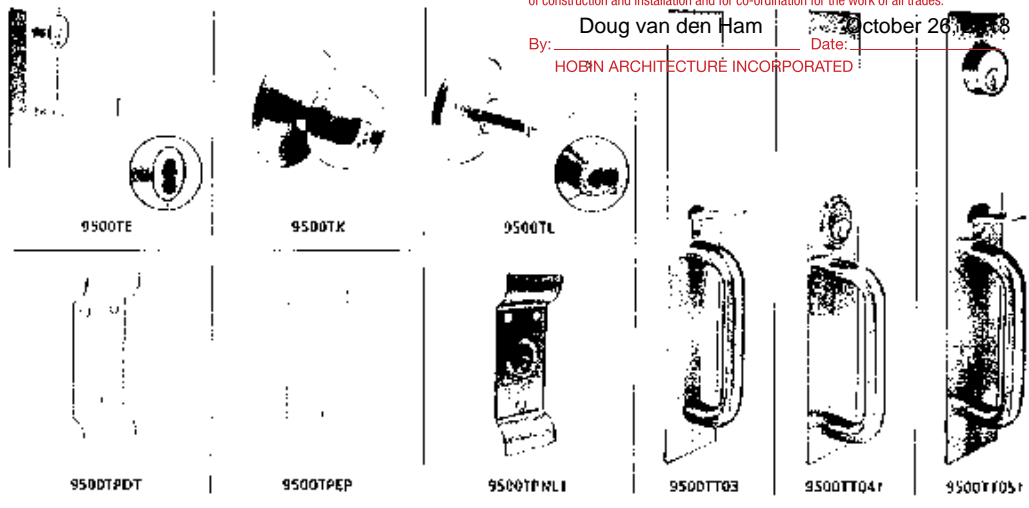
REVIEWED
 REVIEWED AS NOTED
 REVISE AND RESUBMIT

"This review is for the sole purpose of ascertaining conformance with the general design concept for architectural features only, and does not in any way constitute review of the design of engineering elements which form part of the Contract Documents prepared by others. This review shall not mean that the Architect approves the detail design inherent in the shop drawings. This responsibility shall remain with the Contractor submitting same, and such review shall not relieve the Contractor of his responsibility for errors or omissions in the shop drawings or of his responsibility for meeting all requirements of the Contract Documents. The Contractor is responsible for dimensions to be confirmed and correlated at the job site, for information that pertains solely to fabrication processes, or to techniques of construction and installation and for co-ordination for the work of all trades."

By: Doug van den Ham Date: October 26, 2018
 HOBIN ARCHITECTURE INCORPORATED

9500 SERIES EXIT DEVICES

TRIM STYLES



SELECTION GUIDE

MODEL NUMBER	FUNCTION	DESCRIPTION	FINISH	PER CASE	WEIGHT LBS / KG
9500TE10	Passage		26D, 28		48.8 / 22.2
9500TE70	Entrance / classroom		26D, 28		60.8 / 27.6
9500TE70IC*	Entrance / classroom IC, less core	Touchless lever trim	26D	20	58.0 / 26.4
9500TE80	Storeroom		26D, 28		66.8 / 27.6
9500TE80IC*	Storeroom IC, less core		26D		58.0 / 26.4
9500TK10	Passage				38.2 / 17.4
9500TK70	Entrance / classroom	Knob trim	26D	20	40.4 / 18.4
9500TK80	Storeroom				40.4 / 18.4
9500TL10	Passage	Solid brass 6-pin cylinder Schlage "C" keyway, except models with IC, less core, passage or dummy functions, pull and blank plates			42.2 / 19.2
9500TL70	Entrance / classroom				44.6 / 20.3
9500TL70IC*	Entrance / classroom IC, less core	Lever trim	26D	20	41.0 / 18.6
9500TL80	Storeroom				44.6 / 20.3
9500TL80IC*	Storeroom IC, less core				41.0 / 18.6
9500T03	Passage / function #3	Thumbpiece trim			42.5 / 19.3
9500T04	Storeroom / function #4	Round pull trim, right latch	28, 32D	20	44.0 / 20.0
9500T05	Entrance / function #5	Thumbpiece trim (rotary cylinder)			56.0 / 25.4
9500PDT	Function #2	Full dummy		20	10.6 / 4.8
9500PEP	Function #1	Blank plate	28	100	30.0 / 13.6
9500PNE	Function #4	Push trim, right latch		20	23.2 / 10.5

*SFC "Best" format 7-pin cylinder housing cylinder not included

15-L cylinder available (less core)

26D - Satin chrome 28 - Aluminum 32D - Satin stainless steel

Dimensions unless specified otherwise are inches (X) / millimeters

06-026

www.dorex.com



Merlin Door Systems Ltd.
 29 Celopatra Drive
 Ottawa, ON, K2G 0B6

Dovercourt Phase 2 Addition & Renovation
 411 Dovercourt, Ottawa
 Job No. X-313

Submission Date: August 28, 2018

06.036

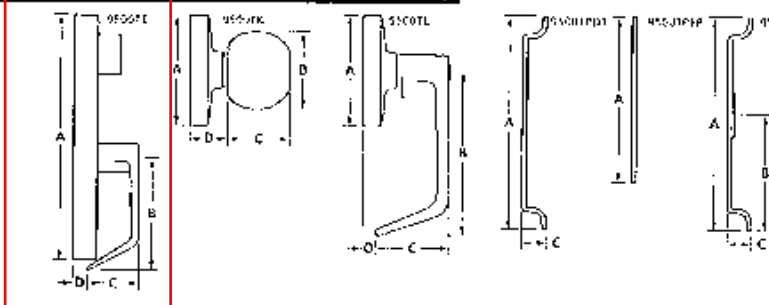
SHOP DRAWING REVIEW
 REVIEWED
 PERMITTED AS NOTED
 REVISE AND RESUBMIT



"This review is for the sole purpose of ascertaining conformance with the general design concept for architectural features only, and does not in any way constitute review of the design of engineering elements which form part of the Contract Documents prepared by others. This review shall not mean that the Architect approves the detail design inherent in the shop drawings. This responsibility shall remain with the Contractor submitting same, and such review shall not relieve the Contractor of his responsibility for errors or omissions in the shop drawings or of his responsibility for meeting all requirements of the Contract Documents. The Contractor is responsible for dimensions or dimensions to be confirmed and correlated at the jobsite, for information that pertains solely to fabrication processes, or to techniques of construction and installation and for coordination for the work of all trades."

By: Doug van den Ham Date: October 26, 2018
 HOBIN ARCHITECTURE INCORPORATED

SIZE CHART

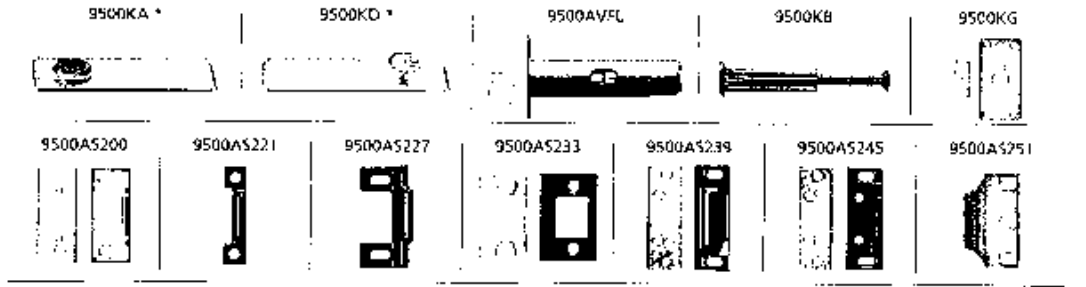


MODEL NUMBER*	A	B	C	D	E**
9500IE*	8 3/16 (213.6)	4 5/8 (118.0)	1 7/8 (47.6)	1/2 (12.7)	2 1/2 (63.5)
9500TK	3 3/8 (86.0)	2 1/4 (57.1)	1 5/8 (41.3)	1 1/8 (29.2)	N/A
9500HL	4 7/16 (119.4)	4 7/16 (119.4)	2 1/16 (52.1)	3/8 (9.5)	N/A
9500TPDT	7 13/16 (198.8)	N/A	1 3/4 (42.9)	N/A	N/A
9500TFEP	5 11/16 (144.4)	N/A	N/A	N/A	3/16
9500TFNL	7 13/16 (198.8)	4 1/8 (104.1)	1 7/32 (31.1)	N/A	3/16
9500TT03*	N/A	N/A	N/A	N/A	N/A
9500TT04*	14 1/2 (368.3)	6 1/8 (158.8)	2 1/8 (54.0)	N/A	2 5/8 (66.7)
9500TT05*	N/A	N/A	N/A	N/A	N/A

* depends length accommodates 1 3/4" (45 mm) thick doors (where applicable)
 ** depends on width of base (1 1/2" (38 mm) shown)

PARTS & ACCESSORIES

- 9500KA36 Alter kit for size 3 model exit device
- 9500KA48 Alter kit for size 4 model exit device
- 9500KD36 Cylinder disengaging kit for panic size 3 model exit device
- 9500KD48 Cylinder disengaging kit for panic size 4 model exit device
- 9500AT96 Vertical top rod for 96" (2438 mm) panic door height
- 9500AT126 Vertical top rod for 126" (3200 mm) panic door height
- 9500AVFL Bottom latch case for fire vertical exit device
- 9500AVFL Auxiliary fire latch for fire vertical exit device
- 9500AVFT Top latch case for fire vertical exit device
- 9500AVPB Bottom latch case for panic vertical exit device
- 9500AVPT Top latch case for panic vertical exit device
- 9500ABR Bottom rod for vertical exit device
- 9500AG Rod guides for vertical exit device
- 9500KG401 Glass bead shim kit for panic fire exit device
- 9500KG406 Glass bead shim kit for panic vertical exit device
- 9500KG412 Glass bead shim kit for fire vertical exit device
- 9500KE225-TE 9500TE Extension kit - 2 1/4" (57.2 mm) door
- 9500KE225-TT 9500TT Extension kit - 2 1/4" (57.2 mm) door
- 9500KSRX Switch kit - required to exit requires left-hand location
- 9500KB357 Set nut Bolt kit for panic exit device, 1 3/4" (44.5 mm) door thickness (lot of 6)
- 9500KB369 Set nut Bolt kit for fire exit device, 2 1/4" (57.2 mm) door thickness (lot of 6)
- 9500KB369 Set nut Bolt kit for vertical exit device, 1 3/4" (44.5 mm) door thickness (lot of 14)
- 9500KB375 Set nut Bolt kit for vertical exit device, 2 1/4" (57.2 mm) door thickness (lot of 14)
- 9500AS200 Roller strike for panic fire exit device
- 9500AS221 Bottom strike for panic vertical exit device
- 9500AS227 Top strike for panic vertical exit device
- 9500AS233 Flush mounting bottom strike for fire panic vertical exit device
- 9500AS239 Strike for panic fire exit device
- 9500AS245 Strike for fire panic vertical exit device
- 9500AS251 Overlapping strike for panic fire exit device, not for use on fire doors
- 9500ACPR Head cover for panic fire exit device
- 9500ACPV Head cover for panic vertical exit device
- 9500ACFR Head cover for fire fire exit device
- 9500ACFV Head cover for fire vertical exit device



DIA - C (mm) | N/A - Not applicable | * Fire label
 Dimensions unless specified otherwise are in inches (millimeters)
 www.dorex.com | 06.036



Merlin Door Systems Ltd.
 29 Celopatra Drive
 Ottawa, ON, K2G 0B6

Dovercourt Phase 2 Addition & Renovation
 411 Dovercourt, Ottawa
 Job No. X-313

Submission Date: August 28, 2018