

SHOP DRAWING TRANSMITTAL



Project: Turnbull School Music Room Addition Project No: 1705
Date: November 9, 2018
To: TALCO Building Innovations Ltd.
Attn: Farah Bano (fbano@tal-co.com)
From: Michelle Cataldo

- | | |
|--|--|
| <input type="checkbox"/> Approval | <input type="checkbox"/> Courier |
| <input checked="" type="checkbox"/> Distribution | <input type="checkbox"/> By Hand |
| <input type="checkbox"/> Information and Use | <input type="checkbox"/> Fax |
| <input type="checkbox"/> Review and Comment | <input type="checkbox"/> To Be Picked Up |
| <input type="checkbox"/> Other | <input checked="" type="checkbox"/> e-mail |

Partners

Barry J. Hobin
OAA, FRAIC, Hon. Fellow AIA
William A. Davis
OAA, MRAIC, Associate AIA
Gordon Lorimer
OAA, FRAIC, Associate AIA
Wendy Brawley
OAA, MRAIC, Associate AIA
Douglas Brooks
Senior Arch. Tech.

Directors

Marc Thivierge
OAA, MRAIC
Reinhard Vogel
Senior Arch. Tech.

Associates

Bryan Bonell
OAA, MRAIC, Associate AIA
William Ritcey
MRAIC
Dan Henhoeffler
Senior Arch. Tech.

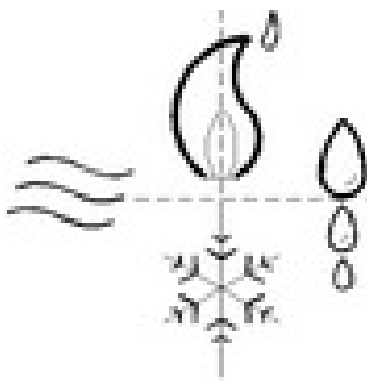
Hobin Architecture Incorporated

63 Pamilla Street
Ottawa, Ontario
Canada K1S 3K7

t 613-238-7200
f 613-235-2005

hobinarc.com

Shop Drawing Submittal:	Division 22 – Plumbing Fixtures
Submitted by:	S&R Mechanical
Drawing Title:	Sink Faucet Spec Sheet
Revision No.	N/A
Dated:	Oct. 17, 2018
Comments:	
Reviewed.	



BEKOLAY & Associates. Ltd.

Consulting Engineers

October 18, 2018

Architect: **Hobin Architecture Incorporated**
63 Pamila Street, Ottawa

Project: **Turnbull Music Rm Addition**

Att: **R. Vogel**

BAL No.: **2018-10**

email: reinhard@hobinarc.com

Mech Shop Drawing Review Comments

1 General:

The documents in the list have been examined for general conformance with the Contract Documents prepared by Bekolay & Associates Ltd. (BAL) for this project. This review may not be extended to any other contract, trade, division or project. Review by BAL does not imply approval or verification of information presented in these drawings and the responsibility for installation and performance, submitting the documents (including dimensional conformance) and co-ordination with other trades, lies solely with the Contractor. All changes, comments and notes by BAL shall be incorporated (at no cost to the Owner) into actual installation when indicated "Reviewed As Follows" or be included in a re-submission (when requested).

2 Shop Drawings: submitted in the attached files

Item	Description	Submitted File	Comments
2.1	Sink Faucet	22 Faucet SD.pdf	Reviewed

3 Additional Notes:

cc: Turnbull Faucet.sdr.wpd

SHOP DRAWING REVIEW

REVIEWED

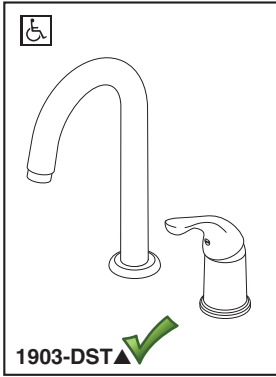
REVIEWED AS NOTED

REVISE AND RESUBMIT



"This review is for the sole purpose of ascertaining conformance with the general design concept for architectural features only, and does not in any way constitute review of the design of engineering elements which form part of the Contract Documents prepared by others. This review shall not mean that the Architect approves the detail design inherent in the shop drawings. This responsibility shall remain with the Contractor submitting same, and such review shall not relieve the Contractor of his responsibility for errors or omissions in the shop drawings or of his responsibility for meeting all requirements of the Contract Documents. The Contractor is responsible for dimensions to be confirmed and correlated at the job site, for information that pertains solely to fabrication processes, or to techniques of construction and installation and for co-ordination for the work of all trades."

By: Michelle Cataldo Date: Nov. 9, 2018
HOBIN ARCHITECTURE INCORPORATED



REVIEWED
By Farah Bano at 4:08 pm, Oct 17, 2018

SHOP DRAWING REVIEW

- REVIEWED
- REVIEWED AS NOTED
- REVISE AND RESUBMIT

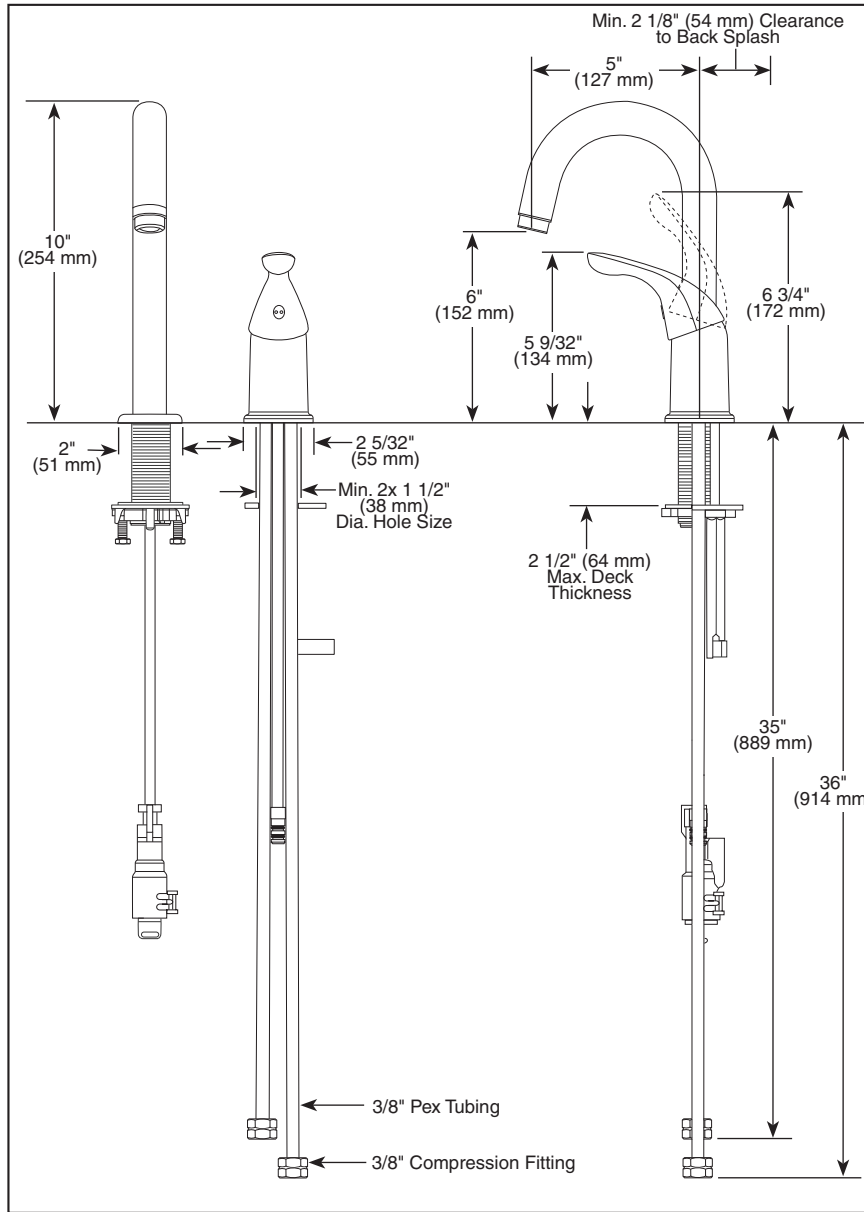


"This review is for the sole purpose of ascertaining conformance with the general design concept for architectural features only, and does not in any way constitute review of the design of engineering elements which form part of the Contract Documents prepared by others. This review shall not mean that the Architect approves the detail design inherent in the shop drawings. This responsibility shall remain with the Contractor submitting same, and such review shall not relieve the Contractor of his responsibility for errors or omissions in the shop drawings or of his responsibility for meeting all requirements of the Contract Documents. The Contractor is responsible for information to be confirmed and correlated at the job site, for information that pertains solely to fabrication processes, or to techniques of construction and installation and for co-ordination for the work of all trades."

By: Michelle Cataldo Date: Nov. 9, 2018
HOBIN ARCHITECTURE INCORPORATED

Submitted Model No.: _____

Specific Features: _____



▲ Designate proper finish suffix



BAR & PREP SINK FAUCETS

- Classic Series
- Single Handle Widespread Deck Mount
- Two Hole Sink Applications
- Pex® Hose Installation

STANDARD SPECIFICATIONS:

- Solid fabricated brass body.
- 5" (127 mm) long, 10" (254 mm) high spout swings 180°.
- Lever handle shall return to neutral position when faucet is turned off.
- Red and blue button on handle to indicate hot/cold temperature.
- Control mechanism shall be the diamond coated ceramic cartridge.
- Pex® hose installation.
- 3/8" O.D. straight, staggered pex supply tubes - 35" (889 mm) and 36" (914 mm) long - with 3/8" compression fittings.
- Thick deck mounting kit for 3 1/2" (89 mm) max. deck thickness available as RP37775.
- Maximum flow rate of 1.5 gpm @ 60 PSI.

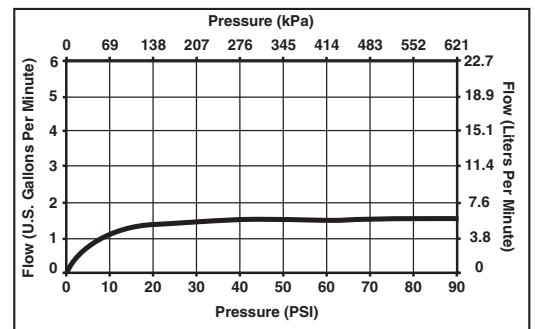
WARRANTY

- Lifetime Faucet and Finish Limited Warranty to the original consumer purchaser to be free from defects in material and workmanship.
- 5 Year Limited Warranty for usage in all industrial, commercial and business applications.



COMPLIES WITH:

- ASME A112.18.1 / CSA B125.1
- NSF 61
- ☑ Indicates compliance to ICC/ANSI A117.1



55 E. 111th Street, Indianapolis, Indiana 46280
395 Matheson Blvd. E., Mississauga, ON L4Z 2H2
© 2009 Masco Corporation of Indiana

Delta reserves the right (1) to make changes in specifications and materials, and (2) to change or discontinue models, both without notice or obligation. Dimensions are for reference only. See current full-line price book or www.specselect.com for finish options and product availability.

DSP-K-1903-DST Rev. B