

SHOP DRAWING TRANSMITTAL



Project: Turnbull School Music Room Addition Project No: 1705
Date: November 13, 2018
To: TALCO Building Innovations Ltd.
Attn: Farah Bano (fbano@tal-co.com)
From: Michelle Cataldo

- | | |
|--|--|
| <input type="checkbox"/> Approval | <input type="checkbox"/> Courier |
| <input checked="" type="checkbox"/> Distribution | <input type="checkbox"/> By Hand |
| <input type="checkbox"/> Information and Use | <input type="checkbox"/> Fax |
| <input type="checkbox"/> Review and Comment | <input type="checkbox"/> To Be Picked Up |
| <input type="checkbox"/> Other | <input checked="" type="checkbox"/> e-mail |

Partners

Barry J. Hobin
OAA, FRAIC, Hon. Fellow AIA

William A. Davis
OAA, MRAIC, Associate AIA

Gordon Lorimer
OAA, FRAIC, Associate AIA

Wendy Brawley
OAA, MRAIC, Associate AIA

Douglas Brooks
Senior Arch. Tech.

Directors

Marc Thivierge
OAA, MRAIC

Reinhard Vogel
Senior Arch. Tech.

Associates

Bryan Bonell
OAA, MRAIC, Associate AIA

William Ritcey
MRAIC

Dan Henhoefffer
Senior Arch. Tech.

Hobin Architecture Incorporated

63 Pamilla Street
Ottawa, Ontario
Canada K1S 3K7

t 613-238-7200

f 613-235-2005

hobinarc.com

Shop Drawing Submittal: 03 20 00 – Reinforcing Steel
Submitted by: AGF Ottawa
Drawing Title: P1 Footing
P2 Foundation
Revision No. 2
Dated: 7-Nov-18

Comments:

Reviewed as noted.

DWL 42 15M A11 @300
TUL 31 15M A12 @400
TLL 5 15M 3230 CONT.
TLL 5 15M 9000 CONT.
BUL 5 15M 3230 CONT.
BUL 5 15M 9000 CONT.
BLL 31 15M A12 @400

3 face of 15M
dowel @ 400 o/c
See detail 1, 4, AND
5 S301 and S302

VERTICAL A11 BEING USE AS VERT AND DWL
DWL EF 2x23 15M A11 @400
DC TLL 5 15M 1260 (150 EMBEDMENT)
TUL 17 15M A1 @400
TLL 5 15M 6380 CONT.
DC LL 5 15M 1260 (150 EMBEDMENT)
BUL 5 15M 6380 CONT.
BLL 33 15M A1 @200

3 face of 15M
dowel @ 400 o/c
See detail 1, 4, AND
5 S301 and S302

DWL EF 2x37 15M A11 @400 VERTICAL A11 BEING USE AS VERT AND DWL
Z BARS 5 15M A15 CONT.
TUL 4 15M A14 @400
TUL 37 15M A2 @400
TLL 8 15M 7520 CONT.
TLL 8 15M 9000 CONT.
BUL 8 15M 7520 CONT.
BUL 8 15M 9000 CONT.
BLL 77 15M A2 @200
BLL 4 15M A14 @200

3 face of 15M
dowel @ 400 o/c
See detail 1, 4, AND
5 S301 and S302

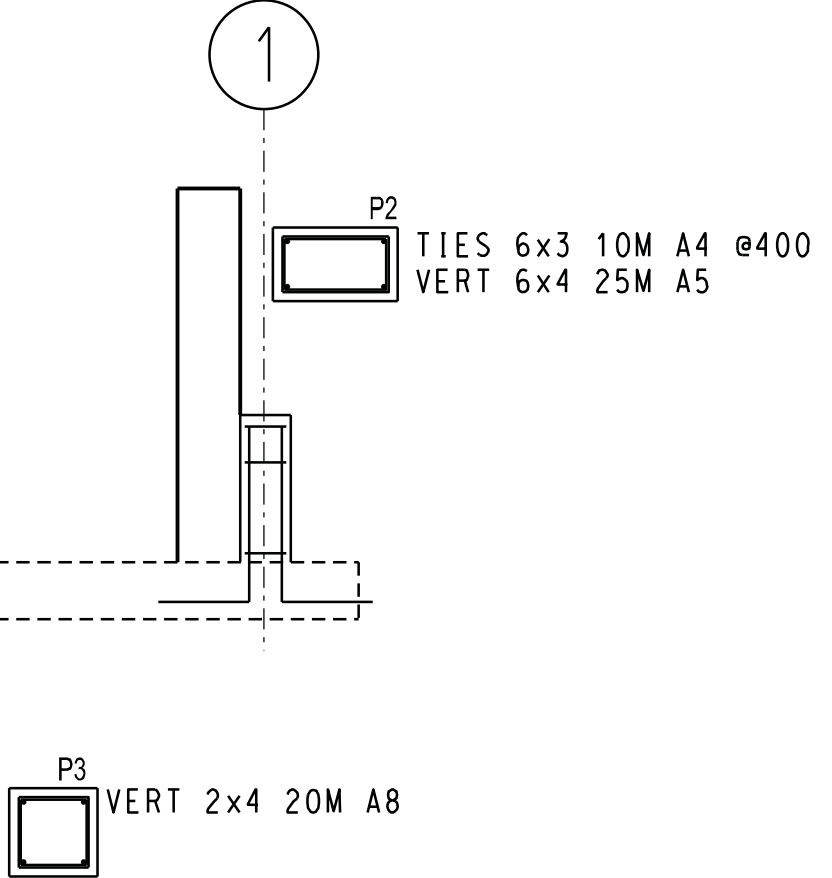
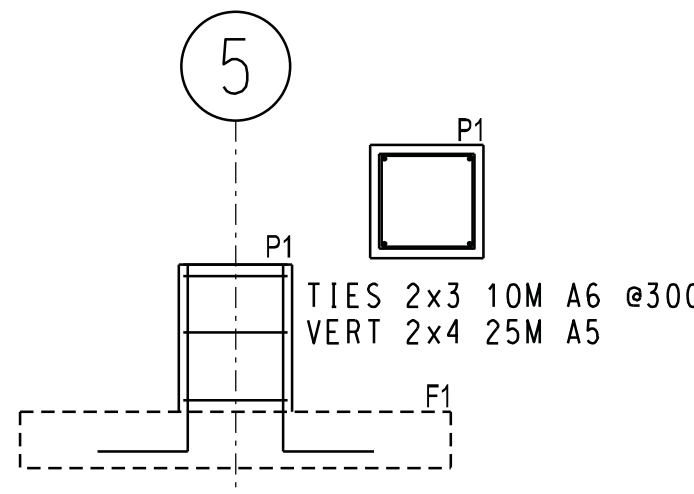
VERTICAL A11 BEING USE AS VERT AND DWL
DWL EF 2x23 15M A11 @400
DC TLL 5 15M 1260 (150 EMBEDMENT)
TUL 20 15M A1 @400
TLL 5 15M 9000 CONT.
BUL 5 15M 9000 CONT.
BLL 39 15M A1 @200

Z BARS 5 15M A15 CONT.
TUL 10 15M A1 @400
TLL 5 15M 3880 CONT.
LONG 1 15M 1600
BUL 5 15M 3880 CONT.
BLL 18 15M A13 @200

TBIL Comment:
Extent of Step-down footing at retaining wall. Exact dimension to be confirmed on site.
Ensure to follow step footing detail as per Typical Stepped Footing Detail S02.

P3 to be embedded in foundation walls. Ties are not required

20M vert in fnd wall.



REVIEWED
By Farah Bano at 3:04 pm, Nov 07, 2018

QTY	SIZE	EP	BAR MARK	V	BND TYP	CD	BENDING DIMENSIONS													
							A	B	C	D	E	F/R	G	H	J	K	O			
32	25M	A5			2		400	775												
8	20M	A8			2		310	775												
119	15M	A1			1		180	1600				180			134					
114	15M	A2			1		180	2100				180			134					
28	15M	A3			2		260	1800				260								
208	15M	A11			2		260	775				180			134					
62	15M	A12			1		180	1250				180			134					
18	15M	A13			1		180	1400				180			134					
8	15M	A14			1		180	2700				180			134					
10	15M	A15			6		600	462	600					250				388		
18	10M	A4			T2		100	470	245	470	245	100								
6	10M	A6			T2		100	420	420	420	420	100								
36	15M						9000													
16	15M						7520													
10	15M						6380													
10	15M						3880													
10	15M						3230													
1	15M						1600													
20	15M						1260													

SHOP DRAWING REVIEW

REVIEWED
REVIEWED AS NOTED
REVISE AND RESUBMIT

*This review is for the sole purpose of ascertaining conformance with the general design concept for architectural features only, and does not in any way constitute review of the design of engineering elements which form part of the Contract Documents prepared by others. This review shall not mean that the Architect approves the detail design inherent in the shop drawings. This responsibility shall remain with the Contractor submitting same, and such review shall not relieve the Contractor of his responsibility for errors or omissions in the shop drawings or of his responsibility for meeting all requirements of the Contract Documents. The Contractor is responsible for dimensions to be confirmed and correlated at the job site, for information that pertains solely to fabrication processes, or to techniques of construction and installation and for co-ordination of the work of all trades.

By Michelle Cataldo Date Nov. 13, 2018
HOBIN ARCHITECTURE INCORPORATED



SHOP DRAWING REVIEW
CUNLIFFE & ASSOCIATES

This review is for the sole purpose of determining general conformance with the Structural Drawings. This review does not mean that Cunliffe & Associates approves the detail design inherent in the shop drawings. The responsibility for which remains with the Contractor submitting the shop drawings. Our review does not relieve the contractor of his responsibility for errors or omissions in the shop drawings or of his responsibility for meeting all requirements of the Contract Documents. The Contractor is responsible for dimensions to be confirmed and correlated at the job site, for information that pertains solely to fabrication processes or to techniques of construction installation and for co-ordination of the work of all trades.

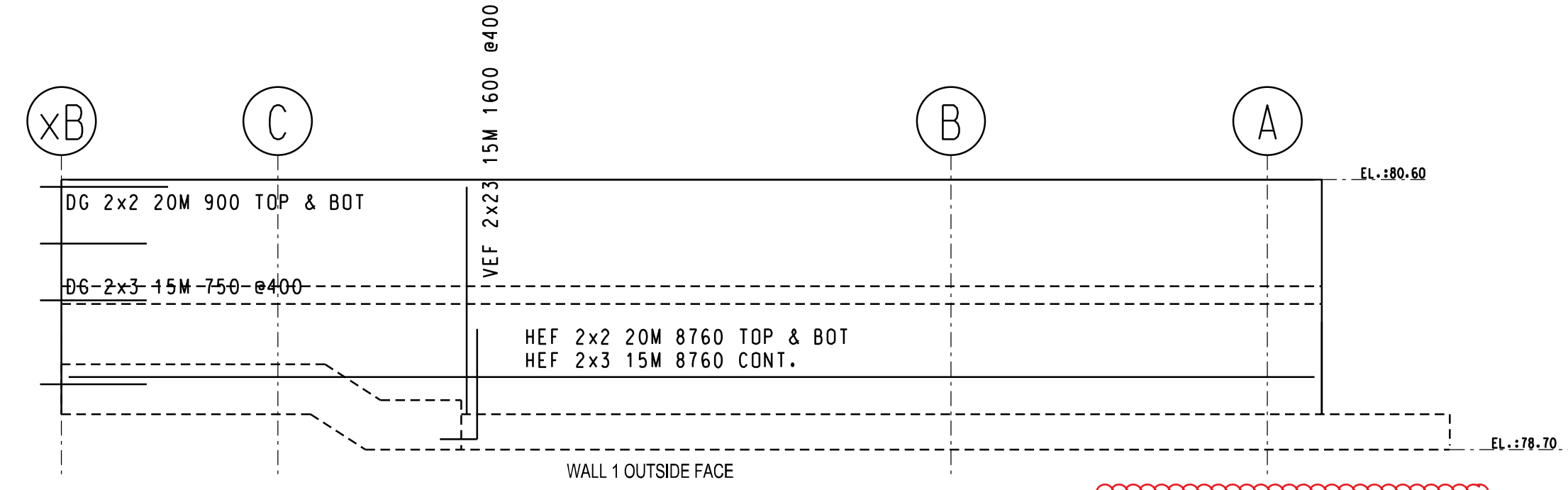
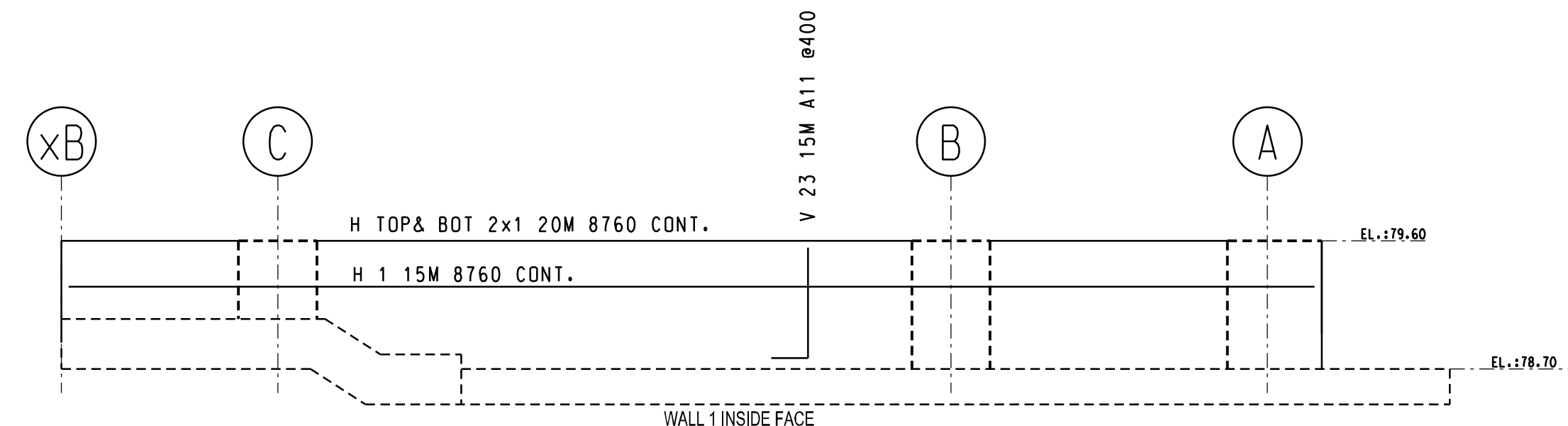
REVIEWED AS NOTED
REVIEWED
RESUBMIT
CHK'D BY NH
DATE 11/13/18

DETAILING NOTES		LEGEND	
GRADE 400 W		ADD ADDITIONAL	
B BOTTOM		B BOTTOM BEAM	
BF BACK FACE		CB CORNER BAR	
D&G DRILL & GROUT		DWL DOWELS	
EF EACH FACE		EQ EQUALLY	
ES EACH SIDE		EW EACH WAY	
FF FRONT FACE		GLV GALVANIZED	
H HORIZONTAL		IF INSIDE FACE	
LL LOWER LAYER		M MIDDLE	
M MASONRY		OF OUTSIDE FACE	
OP OUTSIDE FACE		STGR STAGGERED	
STN STAINLESS		T TOP	
UL UPPER LAYER		V VERTICAL	

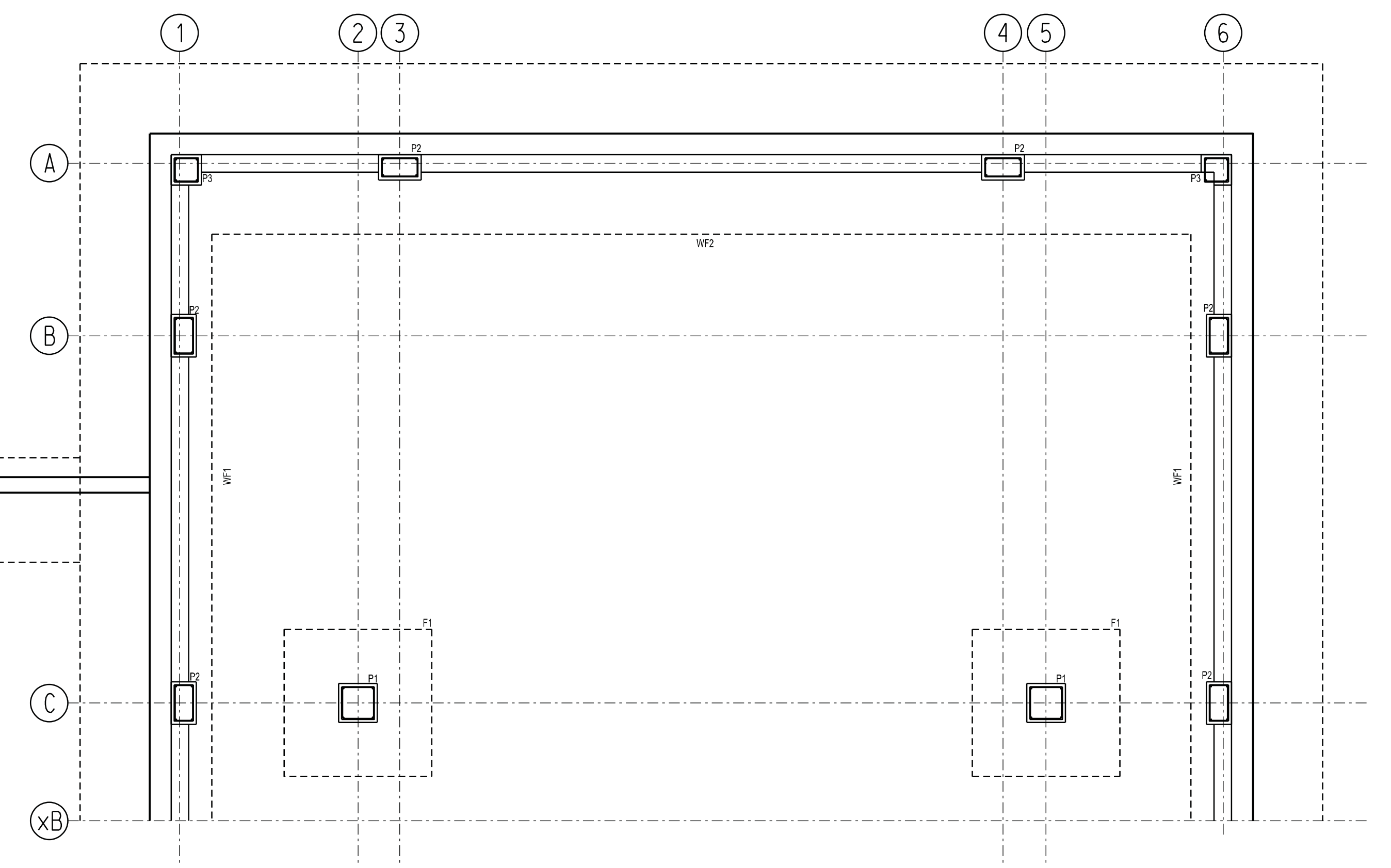
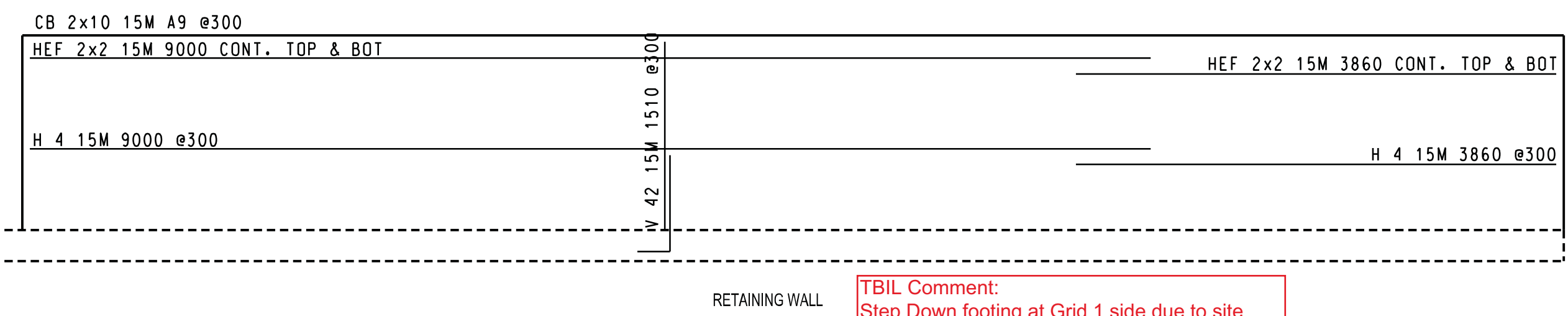
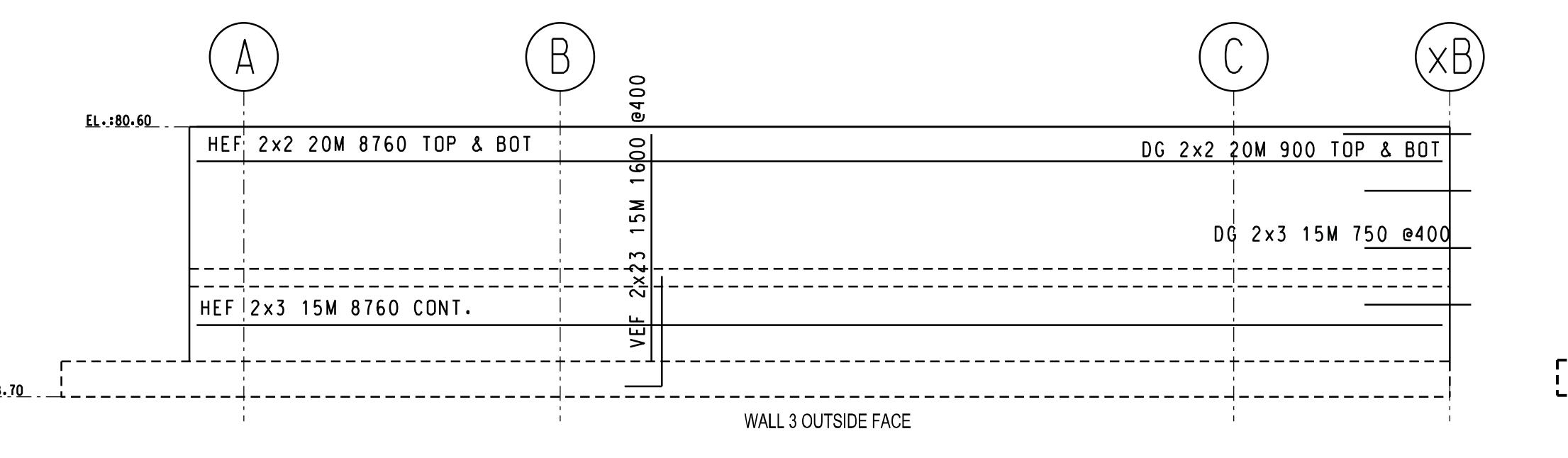
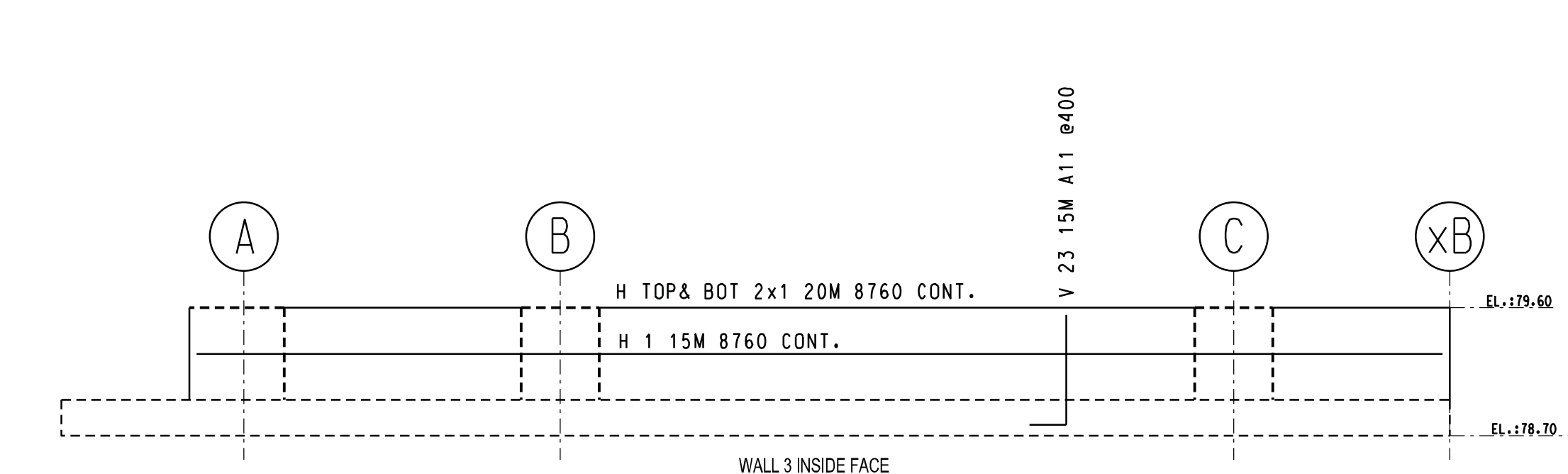
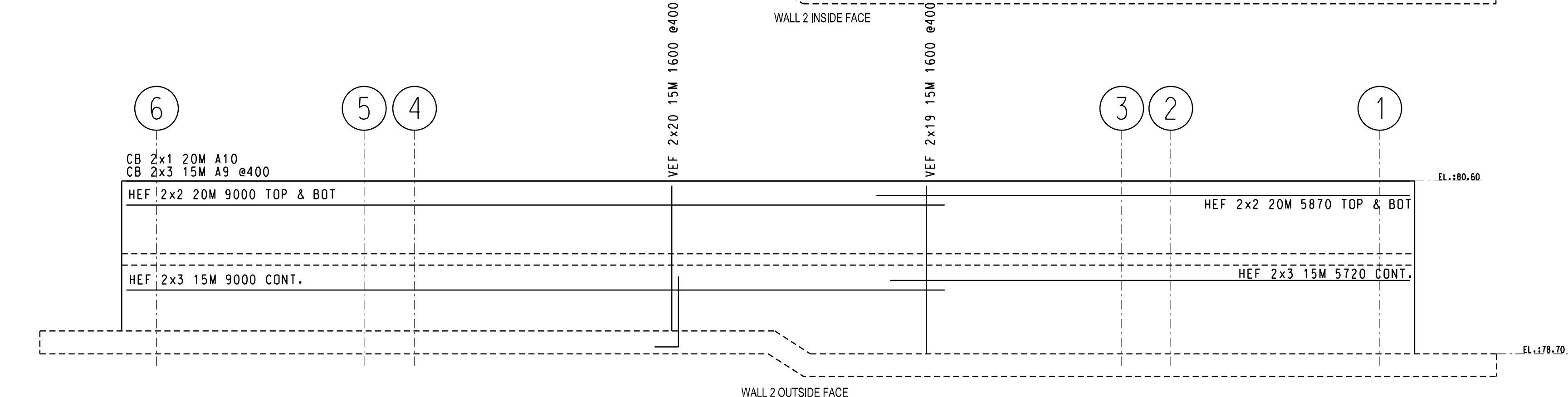
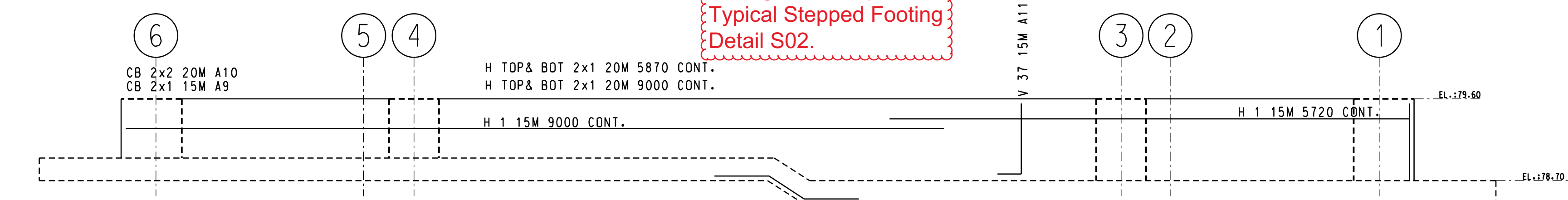
NO.	DATE	BY	REVISION
1	6-NOV-18	R.ELIAS	SUBMITTED FOR REVIEW
2	9-OCTOBER-18	R.ELIAS	REVIEW AS NOTED AS PER CUNLIFFE & ASSOCIATES
3	1-OCTOBER-18	R.ELIAS	SUBMITTED FOR REVIEW

PROJECT: TURNBULL SCHOOL MUSIC ROOM ADDITION
BY: TAL-CO BUILDING INNOVATIONS LTD
DRAWING TITLE: FOOTING
AGF STEEL - OTTAWA
3419 Hawthorne Rd.
Ottawa Ontario K1G 4G2
WWW.AGFSTEEL.COM
613-736-1500 Ext. 3158
rebecca.elias@agfsteel.com

DATE: 11/13/18
SCALE: NTS
CONTRACT NO.: CP9667F
P1



Ensure to follow step footing detail as per Typical Stepped Footing Detail S02.



FOUNDATION PLAN

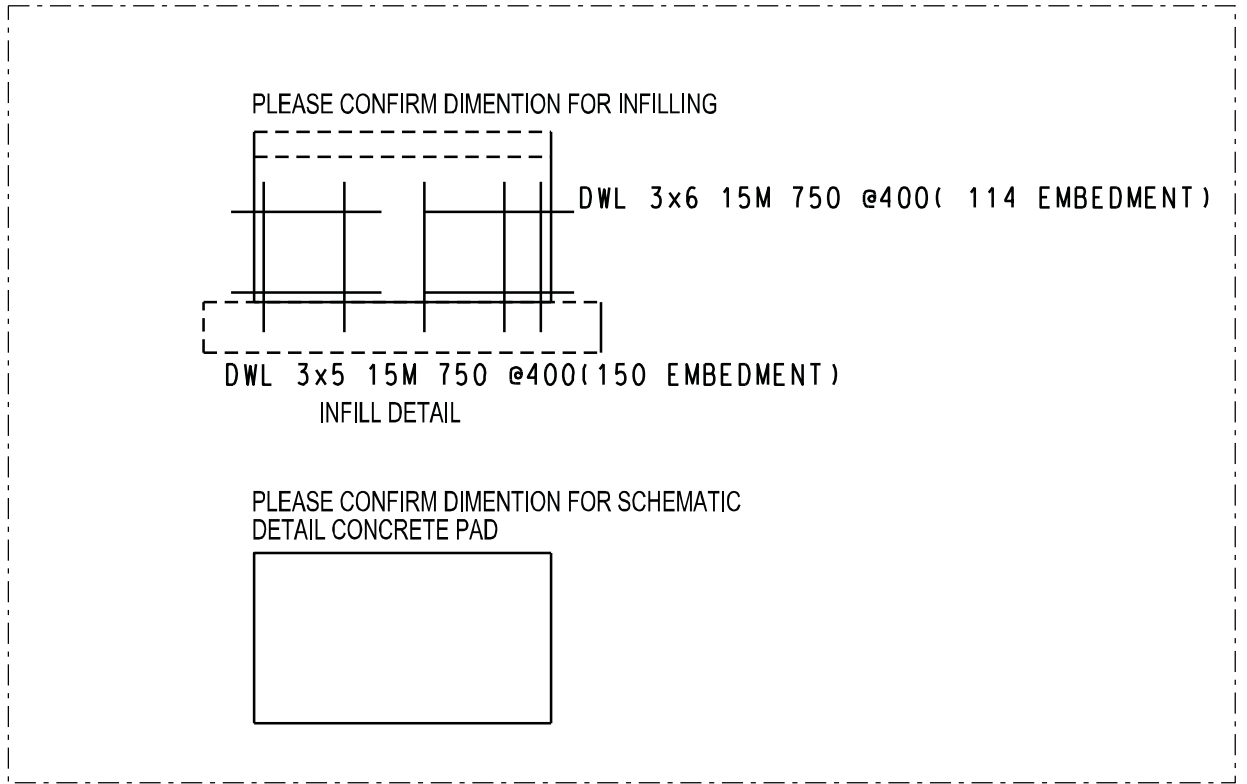
SHOP DRAWING REVIEW
 REVIEWED
 REVISED AS NOTED
 REVISE AND RESUBMIT
 By: Michelle Cataldo Date: Nov. 13, 2018
 HOBIN ARCHITECTURE INCORPORATED



SHOP DRAWING REVIEW
CUNLIFFE & ASSOCIATES
 This review is for the sole purpose of determining general conformance with the Structural Drawings. This review does not mean that Cunliffe & Associates approves the detail design inherent in the shop drawings. The responsibility for which remains with the Contractor submitting the shop drawings. Our review does not relieve the contractor of the responsibility for errors or omissions in the shop drawings or meeting the requirements of the Contract Documents. The Contractor is responsible for dimensions to be confirmed and correlated at the job site and information that pertains solely to fabrication processes or to techniques of construction installation and for co-ordination of the work of all trades.
 REVIEWED AS NOTED
 REVIEWED
 RESUBMIT
 CHK'D BY NH
 DATE 11/13/18

REVIEWED
 By Farah Bano at 3:09 pm, Nov 07, 2018

QTY	SIZE	EP	BAR MARK	BND V	TYP	CD	BENDING DIMENSIONS													
							A	B	C	D	E	F/R	G	H	J	K	O			
6	20M		A10		2		750	750												
28	15M		A9		2		600	600												
83	15M		A11		2		260	775												
6	20M						9000													
12	20M						8760													
6	20M						5870													
8	20M						900													
15	15M						9000													
14	15M						8760													
7	15M						5720													
8	15M						3860													
170	15M						1600													
42	15M						1510													
45	15M						750													



CLASS B TENSIONS LAP		CLASS B TENSIONS LAP		CLASS B TENSIONS LAP	
XX MPA	TOP BARS	OTHERS	XX MPA	TOP BARS	OTHERS
10M	-	-	10M	-	-
15M	600	-	15M	-	-
20M	750	-	20M	-	-
25M	-	-	25M	-	-
30M	-	-	30M	-	-
35M	-	-	35M	-	-

DETAILING NOTES

GRADE 400 W

LEGEND

ADD ADDITIONAL
 B BOTTOM
 BB BOND BEAM
 BF BACK FACE
 CB CORNER BAR
 D&G DRILL & GROUT
 DWL DOWELS
 EE EACH END
 EF EACH FACE
 EQ EQUALLY
 ES EACH SIDE
 EW EACH WAY
 FF FRONT FACE
 GLV GALVANIZED
 H HORIZONTAL
 IF INSIDE FACE
 LL LOWER LAYER
 M MIDDLE
 MAS MASONRY
 OF OUTSIDE FACE
 STGR STAGGERED
 STN STAINLESS
 T TOP
 UL UPPER LAYER
 V VERTICAL

3 SUBMITTED FOR REVIEW 6-NOV-18 R.ELIAS
 2 REVIEW AS NOTED AS PER CUNLIFFE & ASSOCIATES 9-OCTOBER-18 R.ELIAS
 1 SUBMITTED FOR REVIEW 1-OCTOBER-18 R.ELIAS

PROJECT: TURNBULL SCHOOL MUSIC ROOM ADDITION
 BY: TAL-CO BUILDING INNOVATIONS LTD.
 DRAWING TITLE: FOUNDATION
 AGF STEEL - OTTAWA 3419 Hawthorne Rd. Ottawa Ontario K1G 4G2
 WWW.AGFSTEEL.COM 613-736-1500 Ext. 3158 rebecca.elias@agfsteel.com
 AGF OTTAWA CP9667F P2

TBIL Comment: Step Down footing at Grid 1 side due to site services interference.