

SHOP DRAWING TRANSMITTAL



Project: Turnbull School Music Room Addition Project No: 1705
Date: November 20, 2018
To: TALCO Building Innovations Ltd.
Attn: Farah Bano (fbano@tal-co.com)
From: Michelle Cataldo

- | | |
|--|--|
| <input type="checkbox"/> Approval | <input type="checkbox"/> Courier |
| <input checked="" type="checkbox"/> Distribution | <input type="checkbox"/> By Hand |
| <input type="checkbox"/> Information and Use | <input type="checkbox"/> Fax |
| <input type="checkbox"/> Review and Comment | <input type="checkbox"/> To Be Picked Up |
| <input type="checkbox"/> Other | <input checked="" type="checkbox"/> e-mail |

Partners

Barry J. Hobin
OAA, FRAIC, Hon. Fellow AIA
William A. Davis
OAA, MRAIC, Associate AIA
Gordon Lorimer
OAA, FRAIC, Associate AIA
Wendy Brawley
OAA, MRAIC, Associate AIA
Douglas Brooks
Senior Arch. Tech.

Directors

Marc Thivierge
OAA, MRAIC
Reinhard Vogel
Senior Arch. Tech.

Associates

Bryan Bonell
OAA, MRAIC, Associate AIA
William Ritcey
MRAIC
Dan Henhoeffter
Senior Arch. Tech.

Hobin Architecture Incorporated

63 Pamilla Street
Ottawa, Ontario
Canada K1S 3K7

t 613-238-7200
f 613-235-2005

hobinarc.com

Shop Drawing Submittal: Division 08 – Windows & Doors
Submitted by: Merlin Door Systems Ltd.
Drawing Title: Doors and Frames Spec Sheets
Revision No. N/A
Dated: November 15, 2018

Comments:

Reviewed as noted.

REVIEWED

By Farah Bano at 3:30 pm, Nov 20, 2018

Turnbull Music Addition Ottawa

Job No. 18-693

Architect
Hobin Architecture Incorporated
63 Pamilla St
Ottawa, ON
K1S3K7

Tel: 613-238-7200
Fax: 613-235-2005
E-Mail: hobinarc.com

Coordinator
Ryan Conway - Merlin Door Systems
29 Cleopatra Dr
Nepean, ON
K2G0B9

Tel: 613-723-7900
Fax: 613-723-7976
E-Mail: ryan@merlindoor.com

Contractor
Tal-Co Building Innovations Limited
1341 Coker Street, Suite #2
Greely, Ontario
K4P 1A1
Tel: 613-821-3959
Fax: 613-821-2938
E-Mail: fbano@tal-co.com



Turnbull Music Addition
Ottawa
Job No. 18-693

Submission Date: Nov15th 2018

Index of Abbreviations

BY FRAME SUPPLIER

with provided

Anchor Type

- EWA - Existing Wall Anchor
- Z-CLIP - Welded "Z" Clip

Hand

- LH - Left Hand
- LHR - Left Hand Reverse
- RH - Right Hand
- RHR - Right Hand Reverse

Door Mat'l

- AL - Aluminum
- NAT-MAPLE - Natural Maple
- WHT-MAPLE - White Maple

Label

WH-C - WH "C" - 3/4 hr. (45 min).

Door Series

- AL - Aluminum Doors
- WD - Wood Doors

Door Type

- F - Flush
- N - Narrow Lite

Frame Construction

- FW - Face Weld Only

Frame Series

- AL - Aluminum Frames
- HM - Hollow Metal Frames ← *Pressed Steel Frames*

SHOP DRAWING REVIEW

- REVIEWED
- REVIEWED AS NOTED
- REVISE AND RESUBMIT



"This review is for the sole purpose of ascertaining conformance with the general design concept for architectural features only, and does not in any way constitute review of the design of engineering elements which form part of the Contract Documents prepared by others. This review shall not mean that the Architect approves the detail design inherent in the shop drawings. This responsibility shall remain with the Contractor submitting same, and such review shall not relieve the Contractor of his responsibility for errors or omissions in the shop drawings or of his responsibility for meeting all requirements of the Contract Documents. The Contractor is responsible for dimensions to be confirmed and correlated at the job site, for information that pertains solely to fabrication processes, or to techniques of construction and installation and for co-ordination for the work of all trades."

By: Michelle Cataldo Date: Nov. 19, 2018
 HOBIN ARCHITECTURE INCORPORATED



Tumbull Music Addition
 Ottawa
 Job No. 18-693

Submittal Date: Nov15th 2018

Door Frame by Merlin Hardware only by Merlin Doors.

Confirm on site... Re-use Extg frame as per 08 00 00 #2-14

Openings Schedule

Opening Number(s)	Qty	Location 1	From Location 1	To/From Location 2	Nominal Width	Nominal Height	Type	Hand	Label	Frame Construction	Frame Series	Anchor Type	Jamb Gauge	Frame Depth	Door Series	Door Mat'l	Door Thickness	Door Type	Door Life	Hardware Group	Remarks
000.1	1	Exterior	From Ex. Corridor	To Music Room	1200	2150	Single	LHR	✓	ALF	AL	N/A	190	AL	AL	N/A	ALB	ALB	000.1	AL HARDWARE ONLY	
101.1	1	Corridor	To Music Room	To Music Room	1200	2150	Single	LH	✓	FW	HM	EWA	16	190	WD	NAT-MAPLE	44	N*	Metal	101.1	S#1 Included 45 MIN FRR
102.1	1	Storage	From Music Room	To Music Room	965	2150	Single	LHR	✓	FW	HM	Z-CLIP	16	184	WD	NAT-MAPLE	44	N*	WOOD	102.1	
103.1	1	Music Room	To Office	To Office	965	2150	Single	RH	✓	FW	HM	Z-CLIP	16	124	WD	NAT-MAPLE	44	F		103.1	
104.1	1	Practice Room 1	From Music Room	To Music Room	965	2150	Single	RHR	✓	FW	HM	Z-CLIP	16	216	WD	NAT-MAPLE	44	N*	WOOD	104.1	
105.1	1	Practice Room 2	From Music Room	To Music Room	965	2150	Single	RHR	✓	FW	HM	Z-CLIP	16	216	WD	WHT-MAPLE	44	N*	WOOD	105.1	

+/- 190 SITE VERIFY

YES, METAL CONFIRMED

YES, 44 FOR WD THICKNESS CONFIRMED

ALL WOOD DOORS TO BE CLEAR-STAINED INCLUDING TOPS AND BOTTOMS



SHOP DRAWING REVIEW

REVIEWED

REVIEWED AS NOTED

REVISE AND RESUBMIT

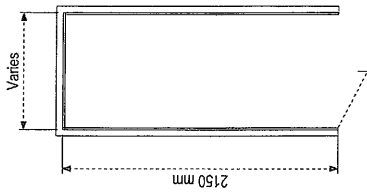


Turnbull Music Addition
Ottawa
Job No. 18-693

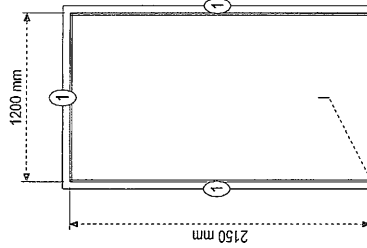
Submittal Date: Nov15th 2018

This review is for the sole purpose of ascertaining conformance with the general design concept for architectural features only, and does not in any way constitute review of the design of engineering elements which form part of the Contract Documents prepared by others. This review shall not mean that the Architect approves the detail design inherent in the shop drawings. This responsibility shall remain with the Contractor submitting same, and such review shall not relieve the Contractor of his responsibility for errors or omissions in the shop drawings or of his responsibility for meeting all requirements of the Contract Documents. The Contractor is responsible for dimensions to be confirmed and correlated at the job site, for information that pertains solely to fabrication processes, or to techniques of construction and installation and for co-ordination for the work of all trades."

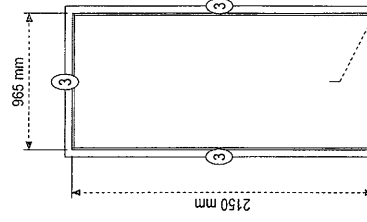
By: Michelle Cataldo Date: Nov. 19, 2018
HOBIN ARCHITECTURE INCORPORATED



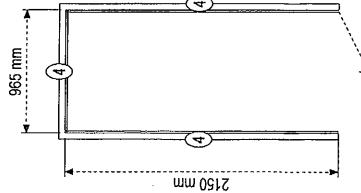
E-1



E-2



E-3



E-4

SHOP DRAWING REVIEW

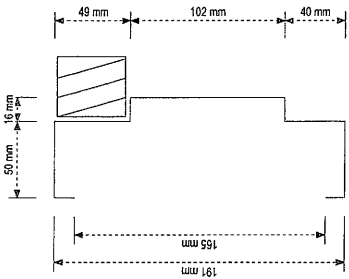
- REVIEWED
- REVIEWED AS NOTED
- REVISE AND RESUBMIT



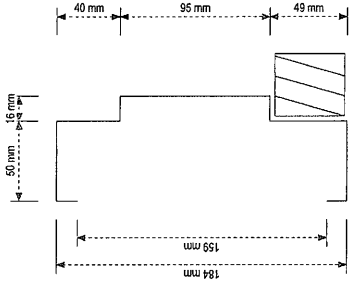
"This review is for the sole purpose of ascertaining conformance with the general design concept for architectural features only, and does not in any way constitute review of the design of engineering elements which form part of the Contract Documents prepared by others. This review shall not mean that the Architect approves the detail design inherent in the shop drawings. This responsibility shall remain with the Contractor submitting same, and such review shall not relieve the Contractor of his responsibility for errors or omissions in the shop drawings or of his responsibility for meeting all requirements of the Contract Documents. The Contractor is responsible for dimensions to be confirmed and correlated at the job site, for information that pertains solely to fabrication processes, or to techniques of construction and installation and for co-ordination for the work of all trades."

By: Michelle Cataldo Date: Nov. 19, 2018
HOBIN ARCHITECTURE INCORPORATED

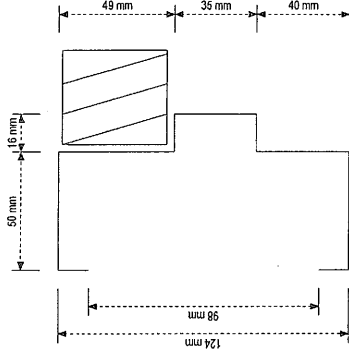




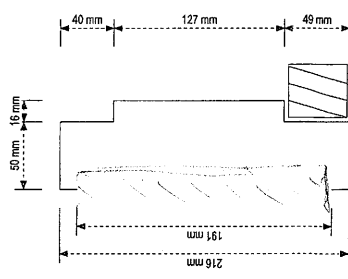
1



2



3



4

SHOP DRAWING REVIEW

- REVIEWED
- REVIEWED AS NOTED
- REVISE AND RESUBMIT



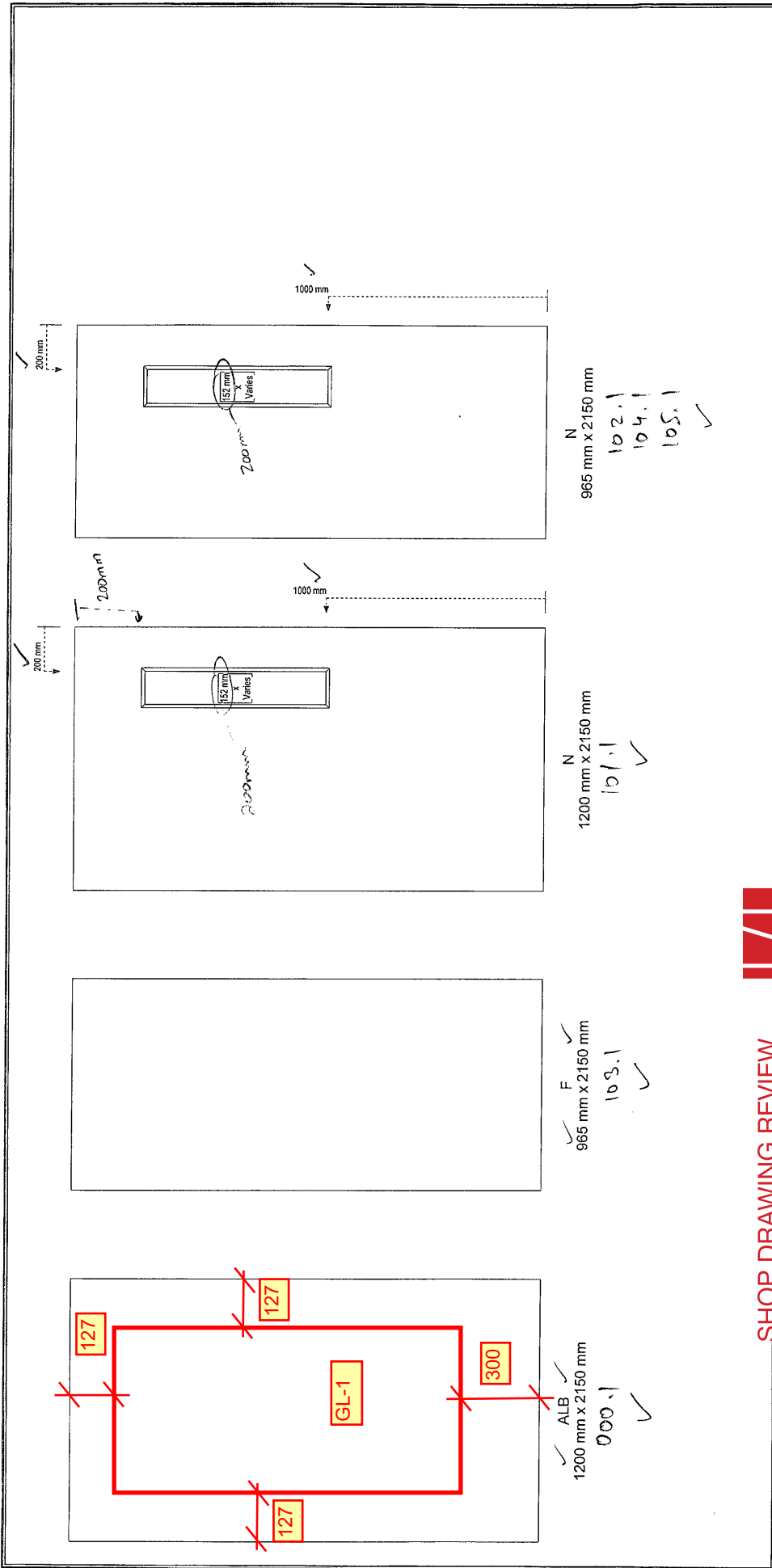
"This review is for the sole purpose of ascertaining conformance with the general design concept for architectural features only, and does not in any way constitute review of the design of engineering elements which form part of the Contract Documents prepared by others. This review shall not mean that the Architect approves the detail design inherent in the shop drawings. This responsibility shall remain with the Contractor submitting same, and such review shall not relieve the Contractor of his responsibility for errors or omissions in the shop drawings or of his responsibility for meeting all requirements of the Contract Documents. The Contractor is responsible for dimensions to be confirmed and correlated at the job site, for information that pertains solely to fabrication processes, or to techniques of construction and installation and for co-ordination for the work of all trades."

By: Michelle Cataldo Date: Nov. 19, 2018
HOBIN ARCHITECTURE INCORPORATED



Turnbull Music Addition
 Ottawa
 Job No. 18-693

Submission Date: Nov 15th 2018



SHOP DRAWING REVIEW

REVIEWED

REVIEWED AS NOTED

REVISE AND RESUBMIT



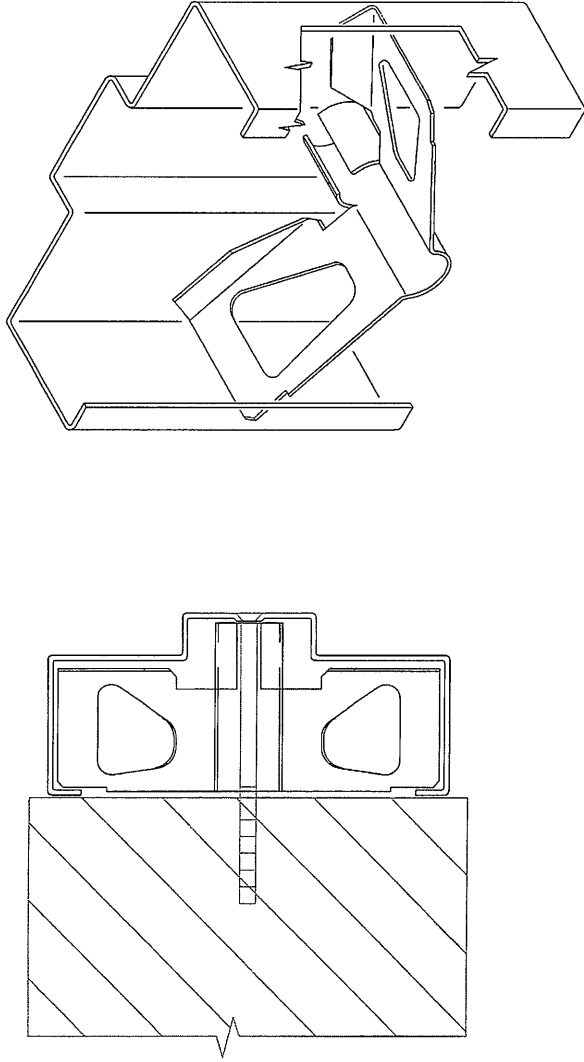
Turbull Music Addition
Ottawa
Job No. 18-693

Submittal Date: Nov 15th 2018

"This review is for the sole purpose of ascertaining conformance with the general design concept for architectural features only, and does not in any way constitute review of the design of engineering elements which form part of the Contract Documents prepared by others. This review shall not mean that the Architect approves the detail design inherent in the shop drawings. This responsibility shall remain with the Contractor submitting same, and such review shall not relieve the Contractor of his responsibility for errors or omissions in the shop drawings or of his responsibility for meeting all requirements of the Contract Documents. The Contractor is responsible for dimensions to be confirmed and correlated at the job site, for information that pertains solely to fabrication processes, or to techniques of construction and installation and for co-ordination for the work of all trades."

By: Michelle Cataldo Date: Nov. 19, 2018
HOBIN ARCHITECTURE INCORPORATED

Anchor Type



Existing Wall Anchor (EWA)

SHOP DRAWING REVIEW

- REVIEWED
- REVIEWED AS NOTED
- REVISE AND RESUBMIT



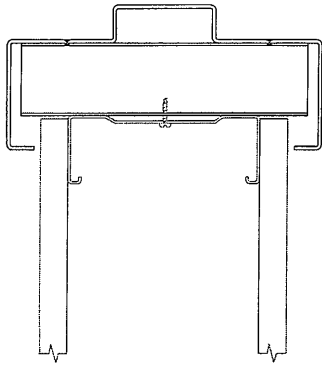
"This review is for the sole purpose of ascertaining conformance with the general design concept for architectural features only, and does not in any way constitute review of the design or engineering elements which form part of the Contract Documents prepared by others. This review shall not mean that the Architect approves the detail design inherent in the shop drawings. This responsibility shall remain with the Contractor submitting same, and such review shall not relieve the Contractor of his responsibility for errors or omissions in the shop drawings or of his responsibility for meeting all requirements of the Contract Documents. The Contractor is responsible for dimensions to be confirmed and correlated at the job site; for information that pertains solely to fabrication processes, or to techniques of construction and installation and for co-ordination for the work of all trades."

By: Michelle Cataldo Date: Nov. 19, 2018
HOBIN ARCHITECTURE INCORPORATED

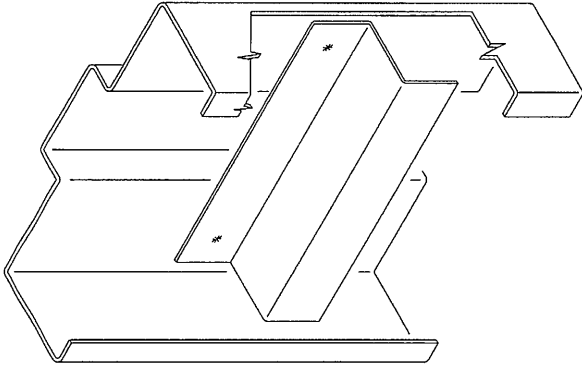


Turnbull Music Addition
Ottawa
Job No. 18-693

Submittal Date: Nov15th 2018



Welded "Z" Clip (Z-CLIP)



SHOP DRAWING REVIEW

- REVIEWED
- REVIEWED AS NOTED
- REVISE AND RESUBMIT



"This review is for the sole purpose of ascertaining conformance with the general design concept for architectural features only, and does not in any way constitute review of the design of engineering elements which form part of the Contract Documents prepared by others. This review shall not mean that the Architect approves the detail design inherent in the shop drawings. This responsibility shall remain with the Contractor submitting same, and such review shall not relieve the Contractor of his responsibility for errors or omissions in the shop drawings or of his responsibility for meeting all requirements of the Contract Documents. The Contractor is responsible for dimensions to be confirmed and correlated at the job site, for information that pertains solely to fabrication processes, or to techniques of construction and installation and for co-ordination for the work of all trades."

By: Michelle Cataldo Date: Nov. 19, 2018
 HOBIN ARCHITECTURE INCORPORATED



Turnbull Music Addition
 Ottawa
 Job No. 18-693

Submission Date: Nov 15th 2018