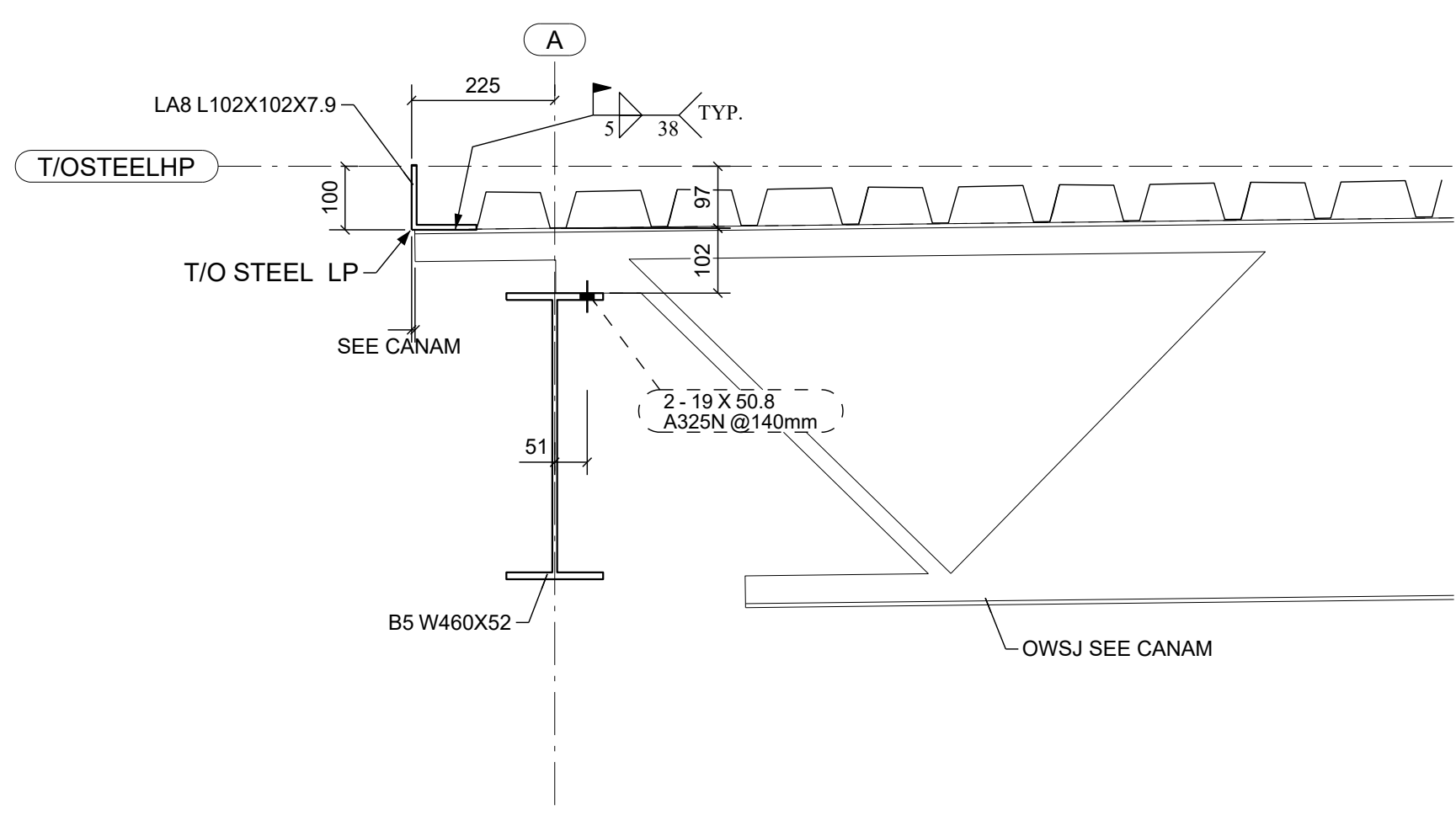
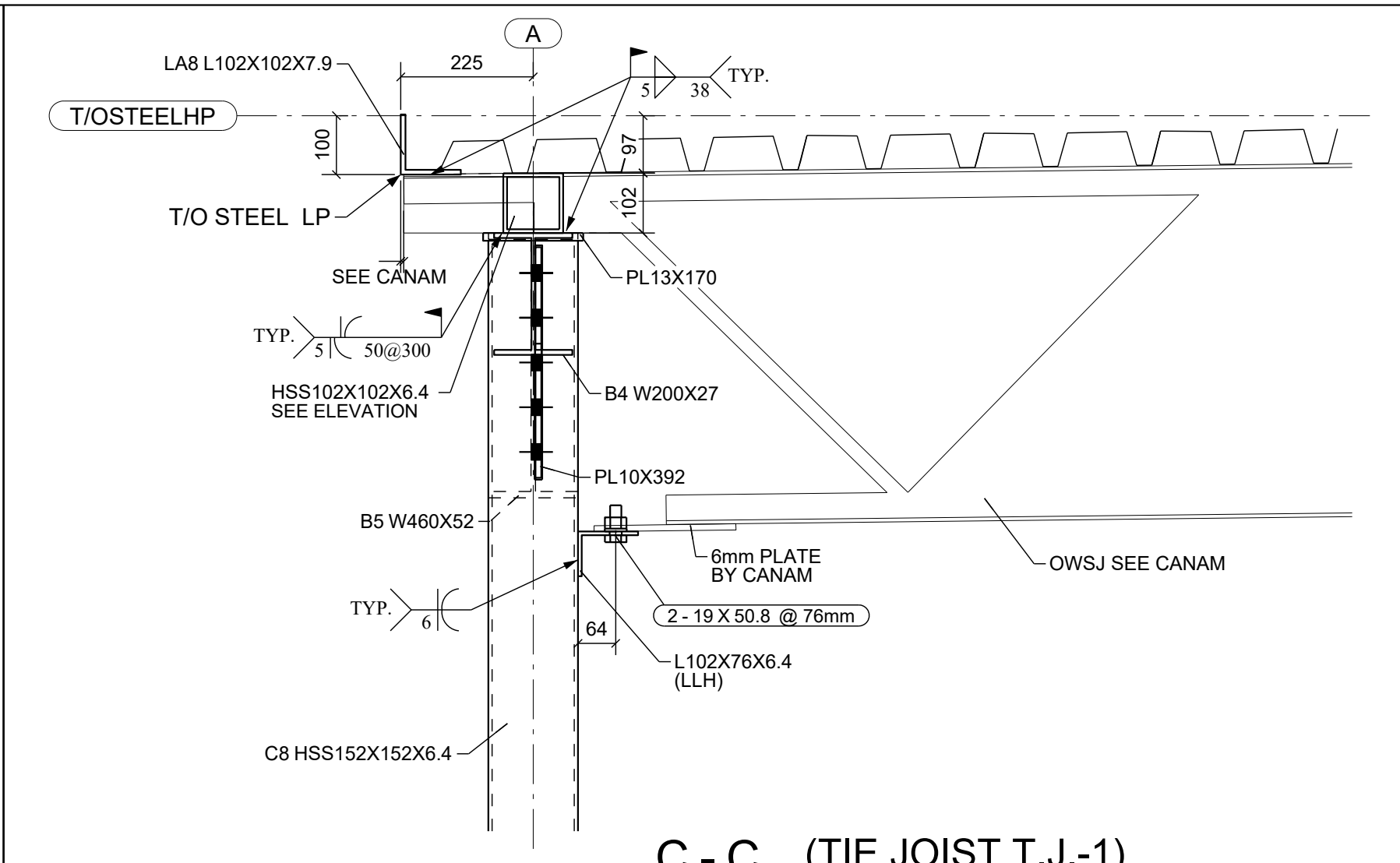


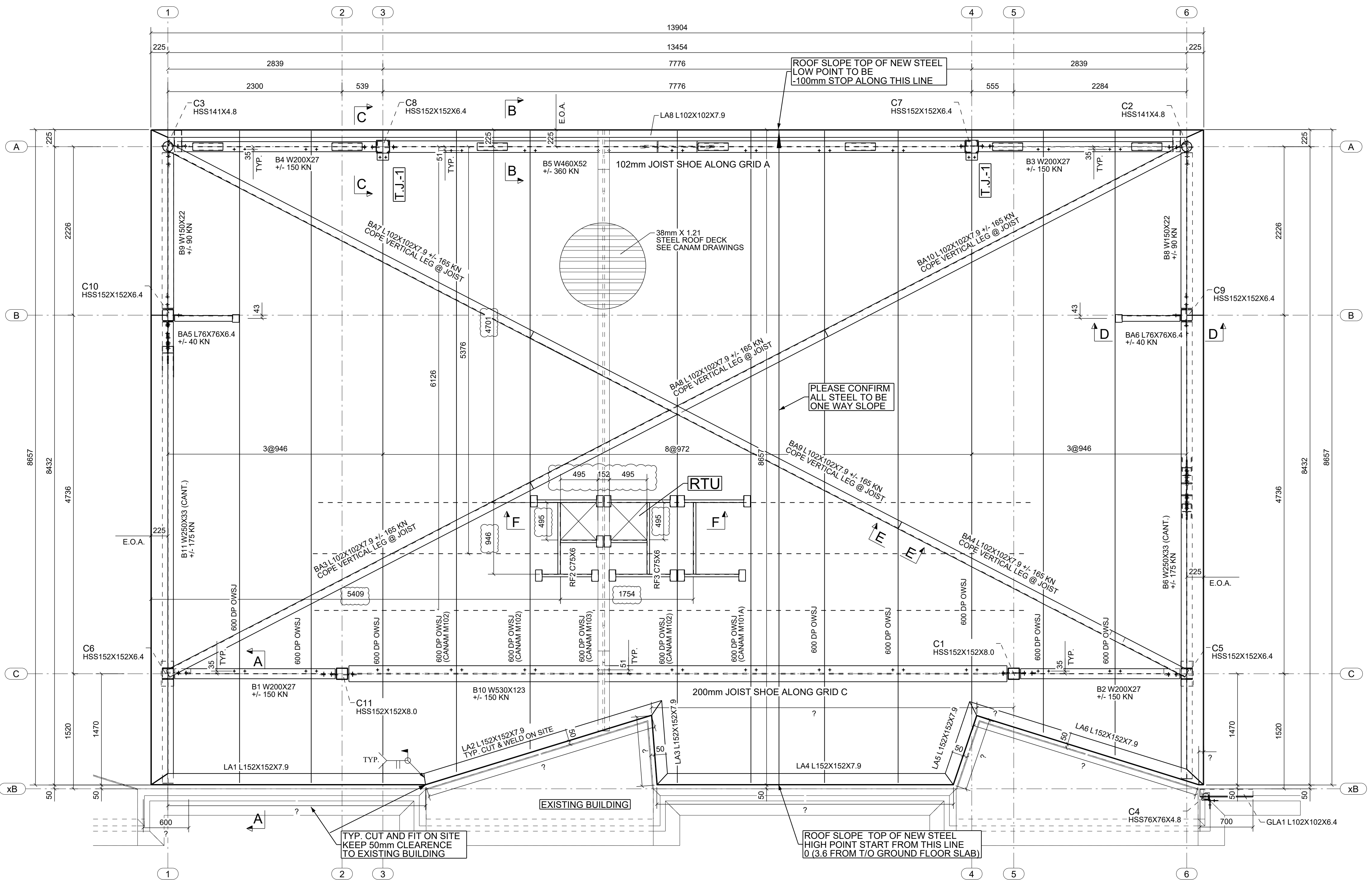
A-A



B-B

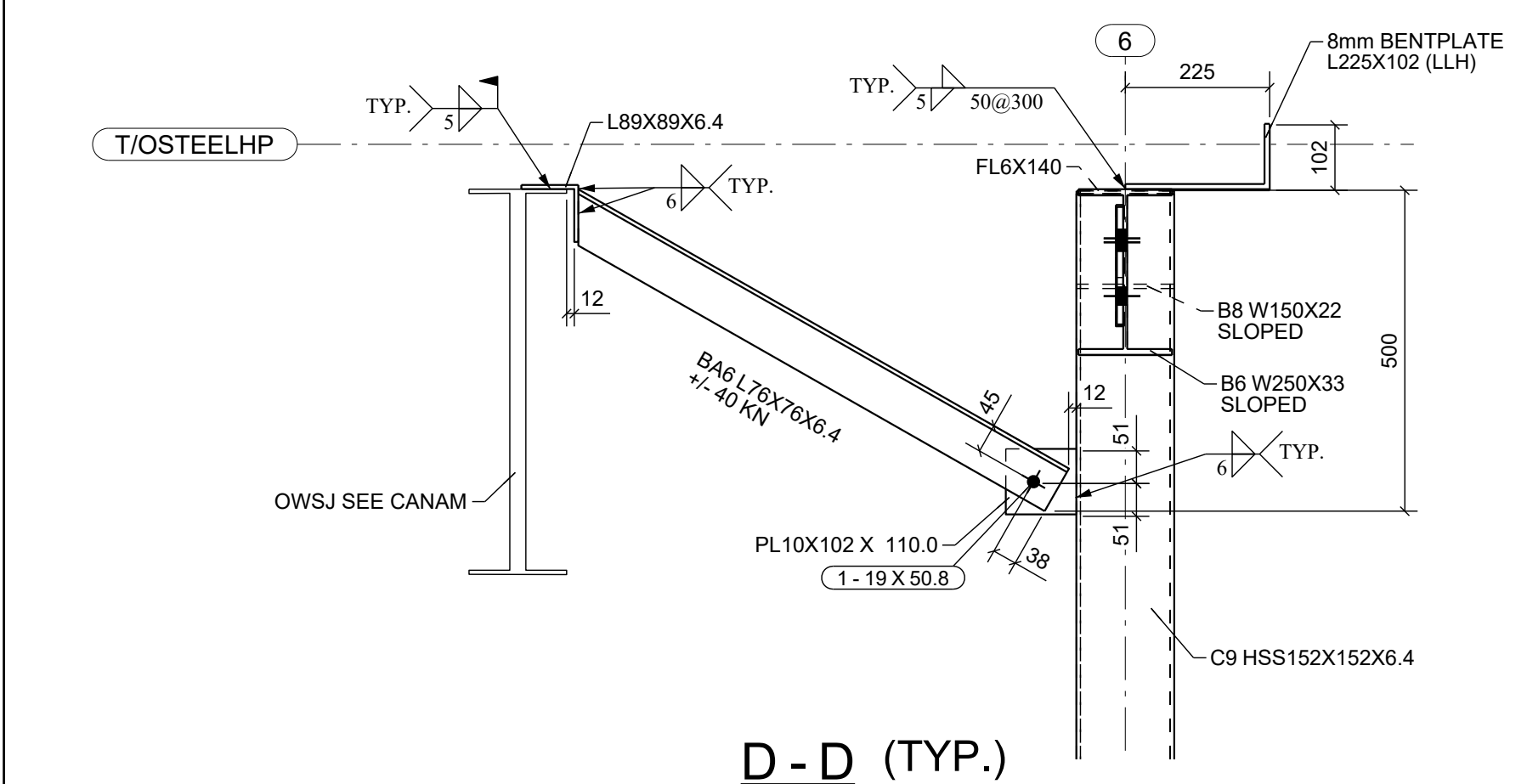


C-C (TIE JOIST T.J.-1)

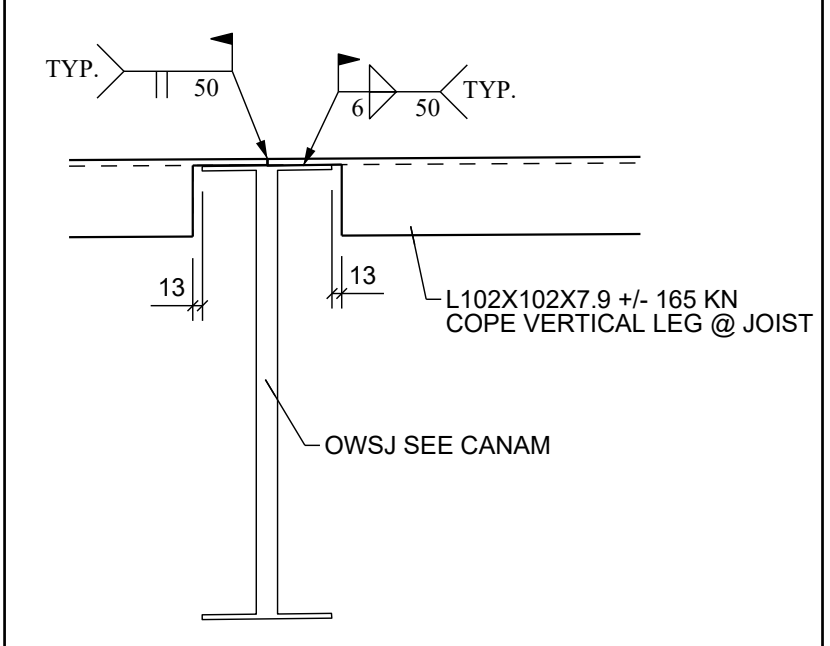


ROOF FRAMING PLAN

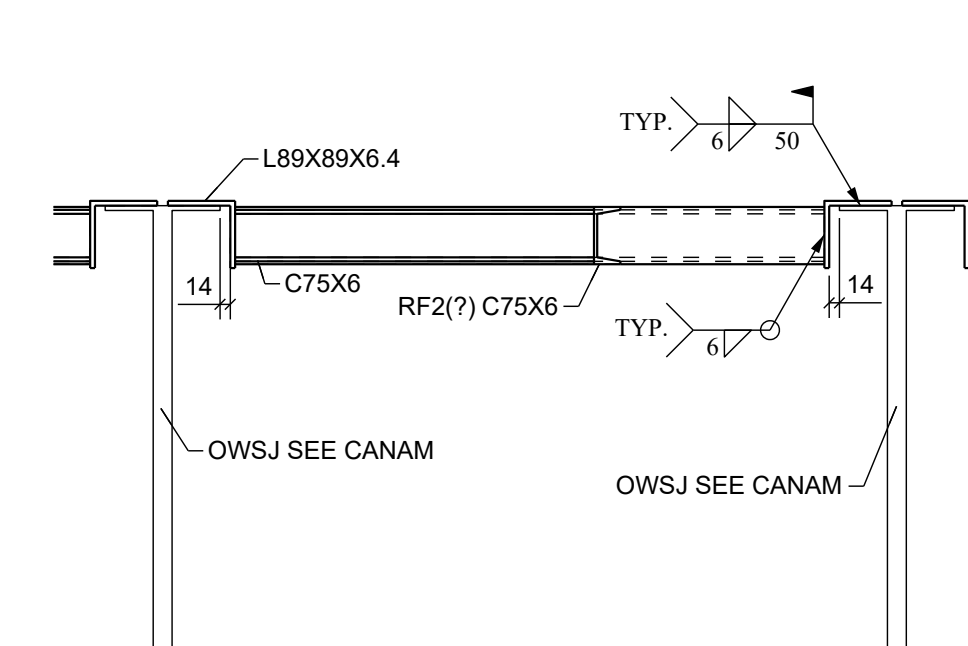
NOTE:
1. T/O ROOF STEEL HP 3600
2. SEE PLAN FOR JOIST SHOE DEPTH.



D-D (TYP.)



E-E (TYP.)



F-F (TYP. RTU)

NOTE:
1. SEE E01 FOR GENERAL NOTES.

Revised RTU location approved.
02-Nov-2018



FORTAN STEEL CONTRACTING LTD.
1340 COKER STREET, GREELY, ONTARIO, K4P 1A1
TEL: (613) - 821 - 4014, FAX: (613) - 821 - 4860
EMAIL: DRAFTING@FORTANSTEEL.COM

PROJECT: TURNBULL SCHOOL MUSIC ROOM ADDITION

LOCATION: 1132 FISHER AVE. OTTAWA ON

DWG. TITLE: ROOF FRAMING PLAN

REV	DATE	REMARKS
0	03/10/18	For Approval
1	23/10/18	For Erection

DRAWN BY	DATE	CHECKED BY	DATE	JOB NUMBER	DWG NUMBER
YANG	01/11/2017		01/11/2017	19-18	E02