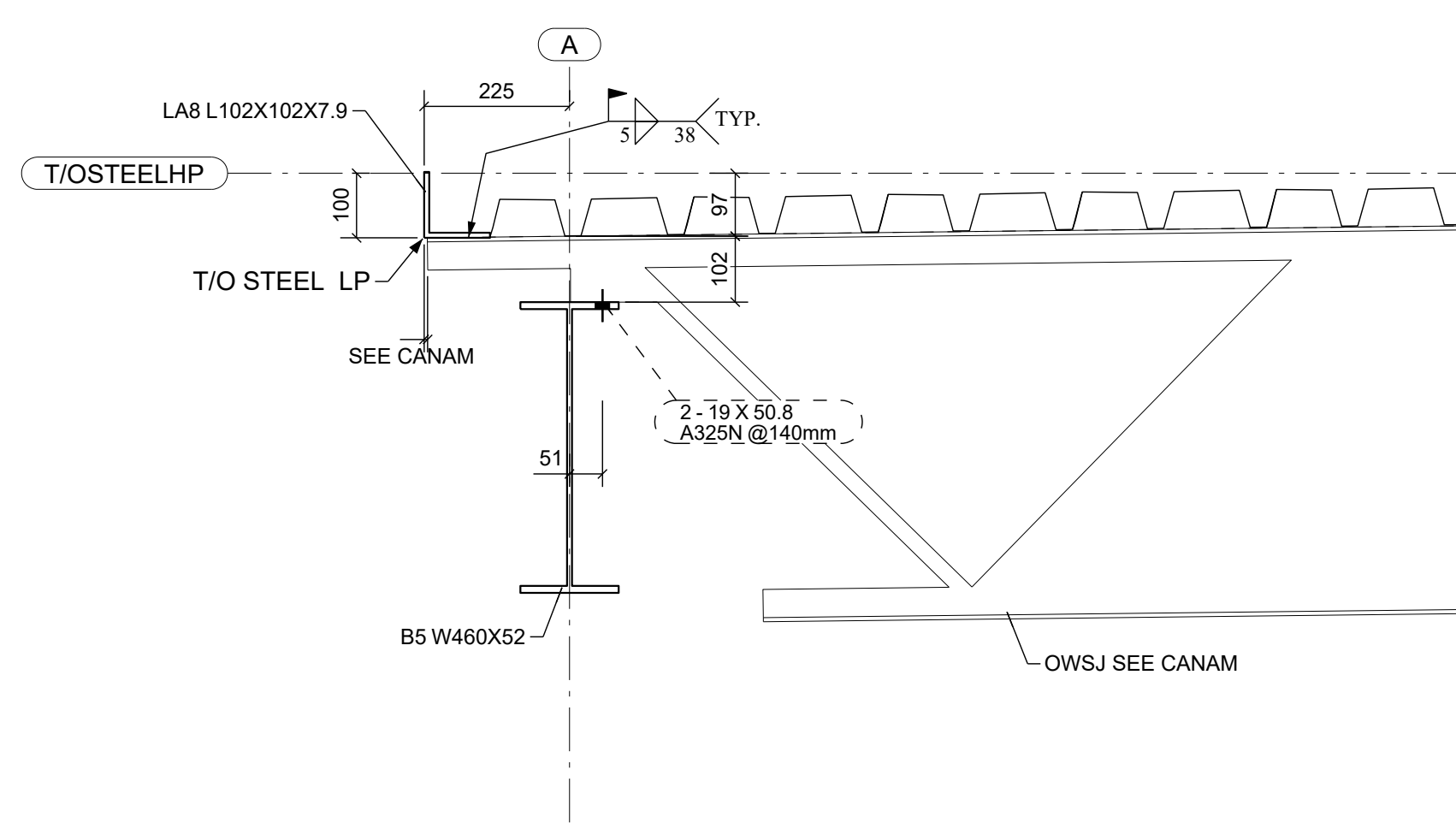
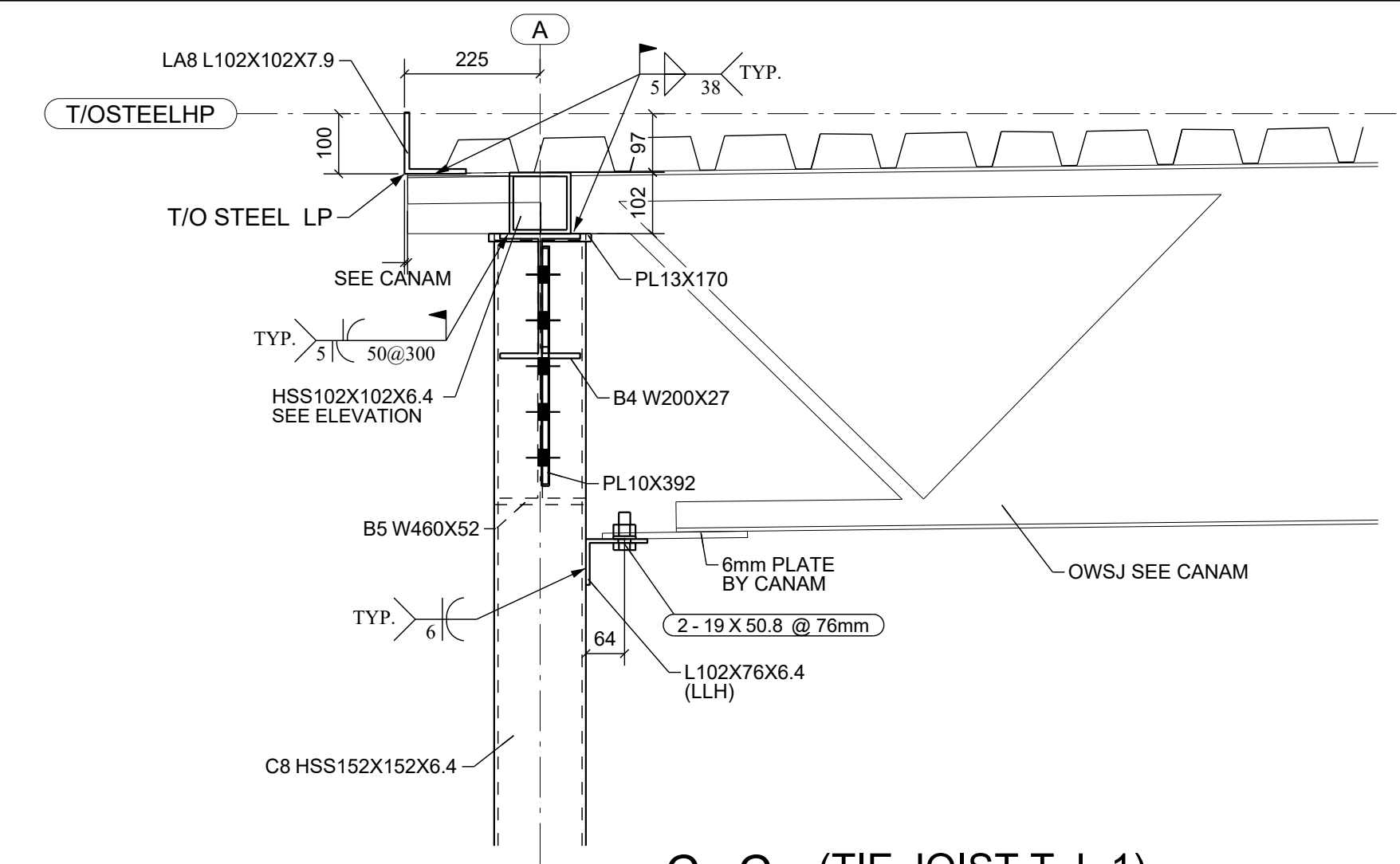


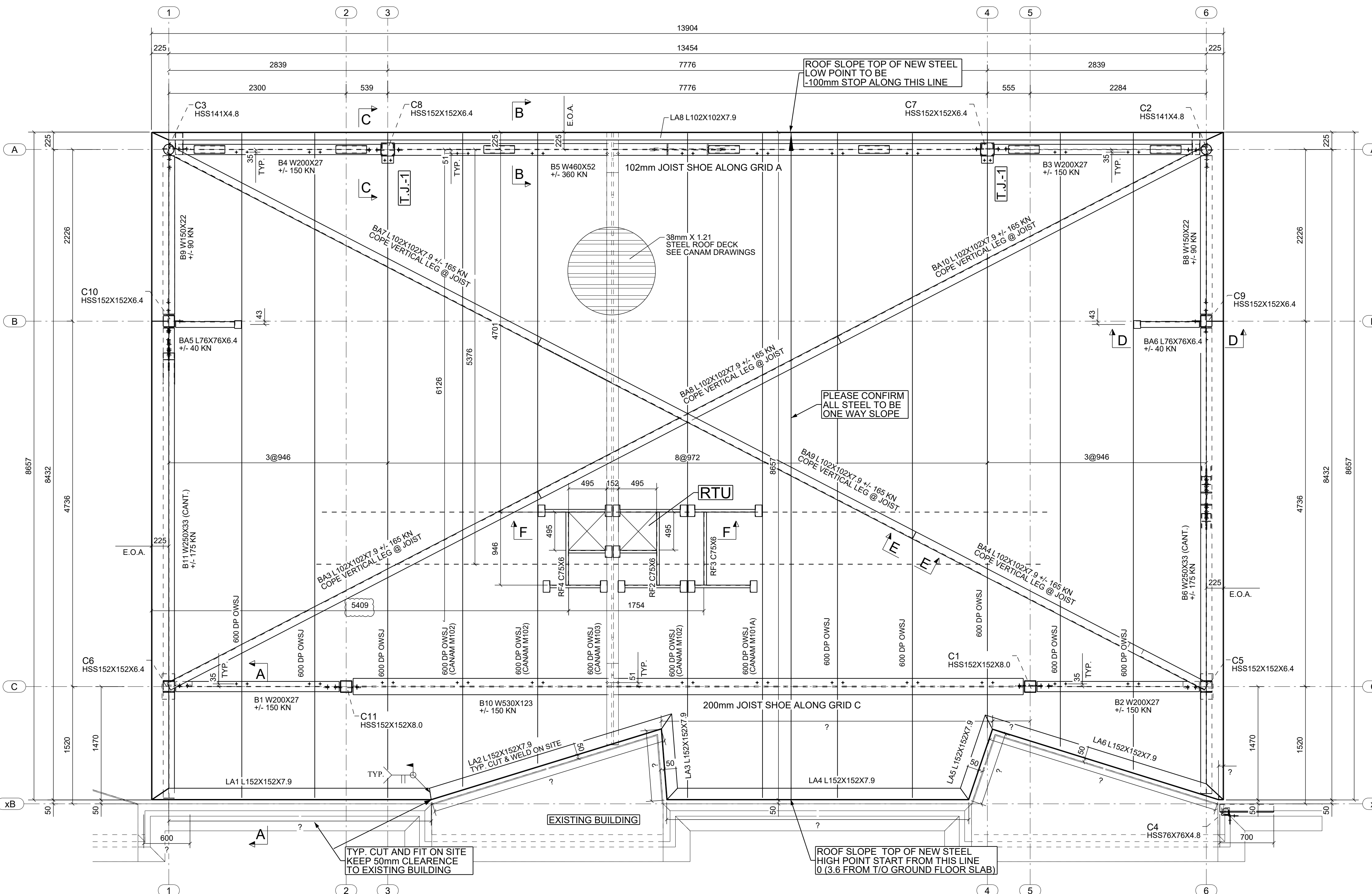
A-A



B-B

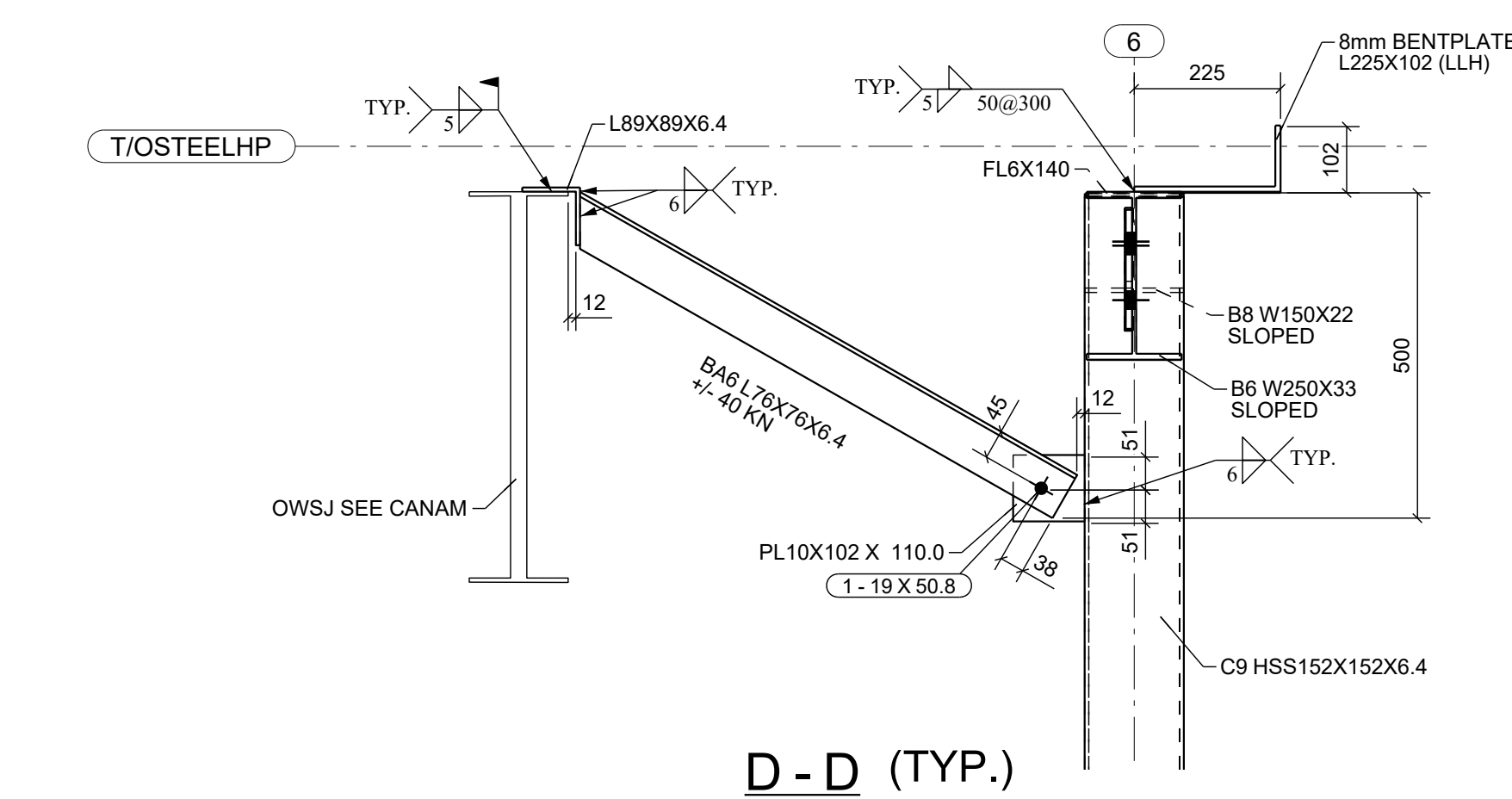


C-C (TIE JOIST T.J.-1)

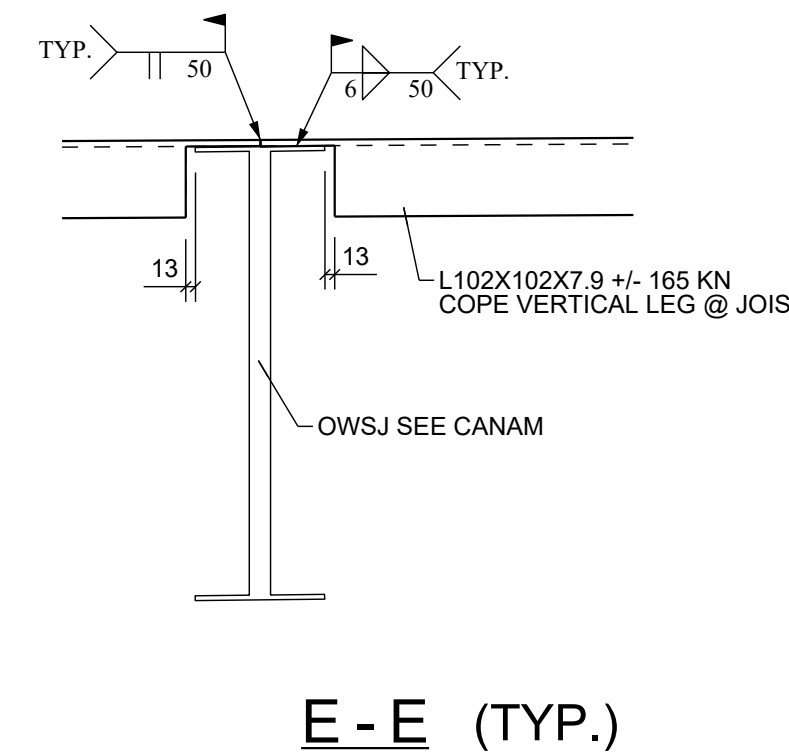


ROOF FRAMING PLAN

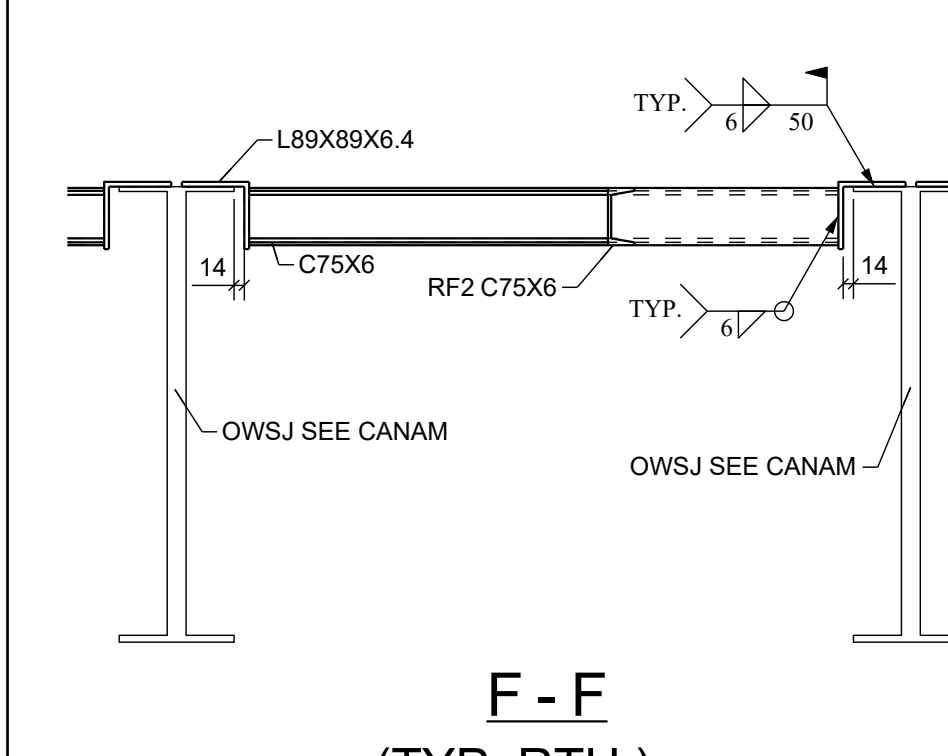
NOTE:
1. T/O ROOF STEEL HP 3600
2. SEE PLAN FOR JOIST SHOE DEPTH.



D-D (TYP.)



E-E (TYP.)



F-F (TYP. RTU)

NOTE:
1. SEE E01 FOR GENERAL NOTES.

SHOP DRAWING REVIEW
CUNLIFFE & ASSOCIATES

This review is for the sole purpose of determining general conformance with the Structural Drawings. This review does not mean that Cunliffe & Associates approves the detail design inherent in the shop drawings. The responsibility for which remains with the Contractor submitting the shop drawings. Our review does not relieve the contractor of his responsibility for errors or omissions in the shop drawings or meeting the requirements of the Contract Documents. The Contractor is responsible for dimensions to be confirmed and correlated at the job site and information that pertains solely to fabrication processes or to techniques of construction installation and for co-ordination of the work of all subcontractors.

REVIEWED AS NOTED
REVIEWED
RESUBMIT

CHK'D BY NH
DATE 11/19/18

0	03/10/18	For Approval
1	23/10/18	For Erection
2	05/11/18	Revised For Erection
REV	DATE	REMARKS

FORTRAN STEEL CONTRACTING LTD.

1340 COKER STREET, GREELY, ONTARIO, K4P 1A1
TEL: (613) - 821 - 4014, FAX: (613) - 821 - 4860
EMAIL: DRAFTING@FORTANSTEEL.COM

PROJECT: TURNBULL SCHOOL MUSIC ROOM ADDITION

LOCATION: 1132 FISHER AVE. OTTAWA ON

DWG. TITLE: ROOF FRAMING PLAN

DRAWN BY: YANG	CHK'D BY: DATE	JOB NUMBER	DWG NUMBER
DATE: 01/11/2017	01/11/2017	19-18	E02