

# SHOP DRAWING TRANSMITTAL



Project: Turnbull School Music Room Addition Project No: 1705  
Date: December 10, 2018  
To: TALCO Building Innovations Ltd.  
Attn: Farah Bano (fbano@tal-co.com)  
From: Michelle Cataldo

- |  |  |
|--|--|
| <input type="checkbox"/> Approval                | <input type="checkbox"/> Courier           |
| <input checked="" type="checkbox"/> Distribution | <input type="checkbox"/> By Hand           |
| <input type="checkbox"/> Information and Use     | <input type="checkbox"/> Fax               |
| <input type="checkbox"/> Review and Comment      | <input type="checkbox"/> To Be Picked Up   |
| <input type="checkbox"/> Other                   | <input checked="" type="checkbox"/> e-mail |

## Partners

Barry J. Hobin  
OAA, FRAIC, Hon. Fellow AIA  
William A. Davis  
OAA, MRAIC, Associate AIA  
Gordon Lorimer  
OAA, FRAIC, Associate AIA  
Wendy Brawley  
OAA, MRAIC, Associate AIA  
Douglas Brooks  
Senior Arch. Tech.

## Directors

Marc Thivierge  
OAA, MRAIC  
Reinhard Vogel  
Senior Arch. Tech.

## Associates

Bryan Bonell  
OAA, MRAIC, Associate AIA  
William Ritcey  
MRAIC  
Dan Henhoeffler  
Senior Arch. Tech.

## Hobin Architecture Incorporated

63 Pamilla Street  
Ottawa, Ontario  
Canada K1S 3K7

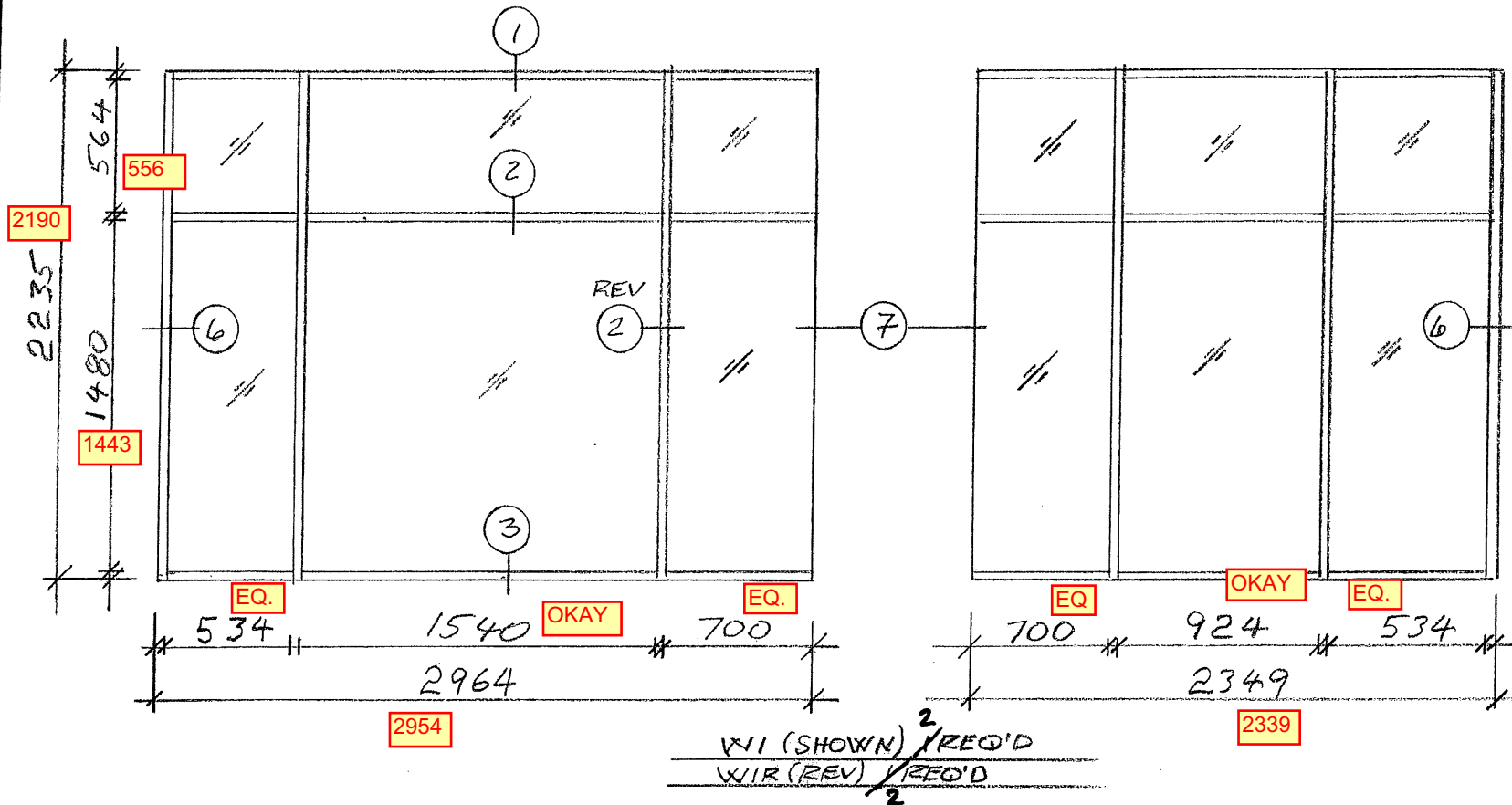
t 613-238-7200  
f 613-235-2005

[hobinarc.com](http://hobinarc.com)

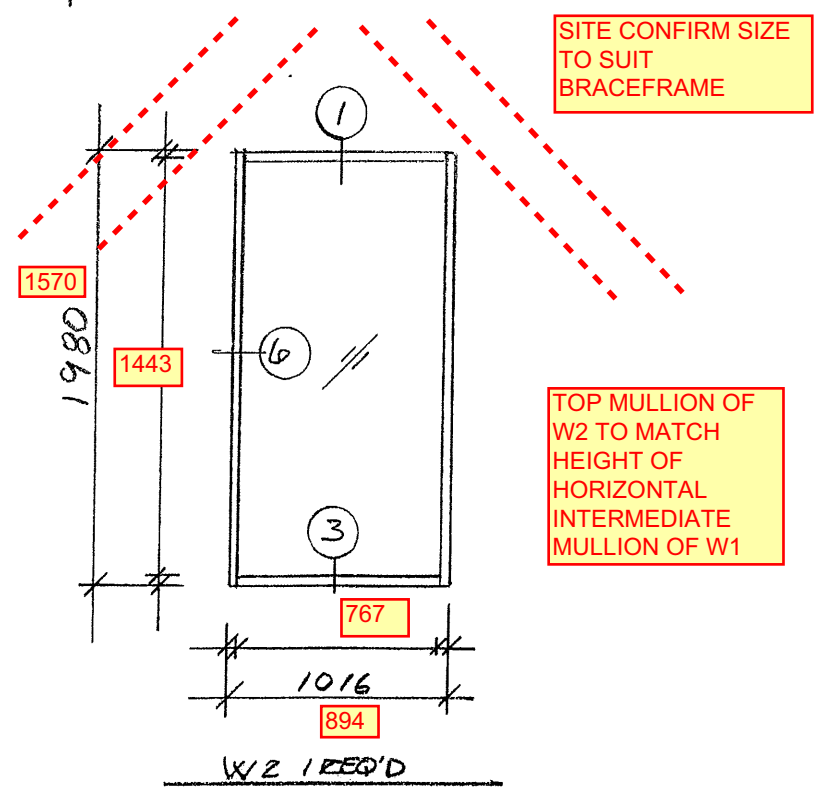
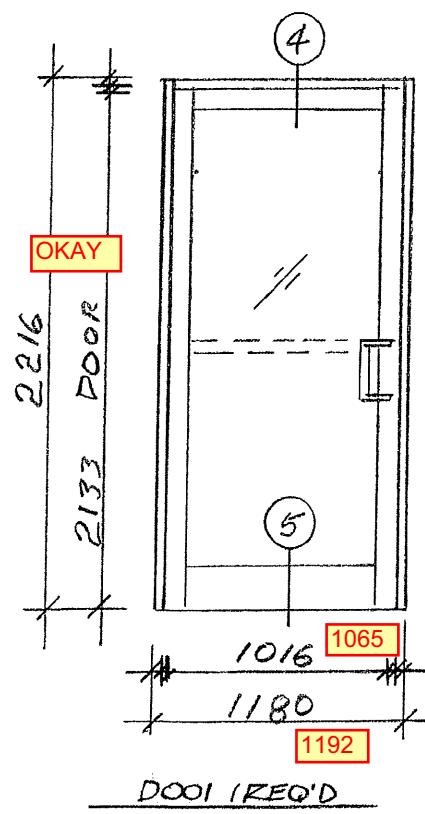
Shop Drawing Submittal: Division 08 – Windows & Doors  
Submitted by: Centennial Glass Depot  
Drawing Title: Drawings 1, 2, 3, and 4  
Revision No. N/A  
Dated: December 6, 2018

## Comments:

Revised and resubmit.



ALL SIZES TO BE SITE CONFIRMED ✓



SITE CONFIRM SIZE TO SUIT BRACEFRAME

SHOP DRAWING REVIEW  
 REVIEWED   
 REVIEWED AS NOTED   
 REVISE AND RESUBMIT



\*This review is for the sole purpose of ascertaining conformance with the general design concept for architectural features only, and does not in any way constitute review of the design of engineering elements which form part of the Contract Documents prepared by others. This review shall not mean that the Architect approves the detail design inherent in the shop drawings. This responsibility shall remain with the Contractor submitting same, and such review shall not relieve the Contractor of his responsibility for errors or omissions in the shop drawings or of his responsibility for meeting all requirements of the Contract Documents. The Contractor is responsible for dimensions to be confirmed and correlated at the job site, for information that pertains solely to fabrication processes, or to techniques of construction and installation and for co-ordination for the work of all trades.\*

By: Michelle Cataldo Date: Dec. 10, 2018  
 HOBIN ARCHITECTURE INCORPORATED



**W1/W2**

- ✓ **Finish:** Clear anodized. "HTC?" **5500 HTC**
- Framing:** Windspec 5500 HTP, 63.5mm x 130mm overall.
- ✓ **Glazing:** 6mm ✓ tempered SolarBan 60 on surface #2, 6mm ✓ tempered clear interior, black warm edge spacer,
- ✓ **Argon gas.** ✓

**D001**

- Frame Finish:** Clear ~~anodized~~. "UC40597 XL" as per CIR # 14
- ✓ **Door Finish:** Duranar XL Exotic U40597 Banner Red.
- Door:** Windspec 500 HTP widestile. **500 HTC**
- ✓ **Glazing:** As per W1/W2.

**Hardware:**

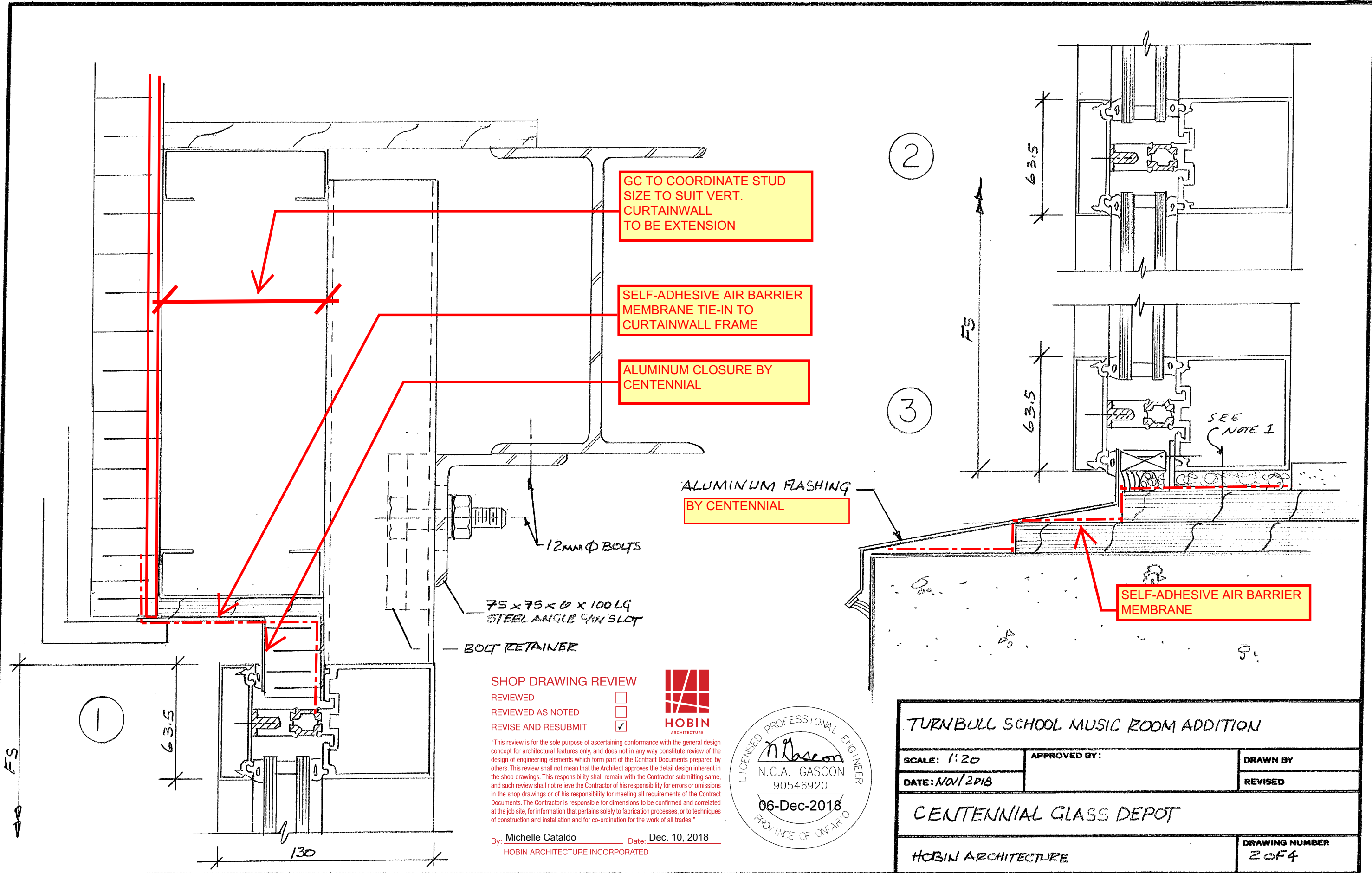
- ✓ Centennial to supply & install T.B. threshold & weather stripping.
- ✓ All other hardware supplied by Section 08 71 00 & installed by Centennial with the exception of handicap operator, all security related hardware & SIP panel. See approved hardware schedule for hardware list.

**Notes**

- #1: #10 x 2 1/2" plated wood screws at lesser of each vertical mullion or 48" o/c.
- #2: Framing, door & glazing all meet SB-10 requirements.
- ✓ #3: All frame sizes to be site confirmed prior to fabrication.

FB review Dec 07, 2018 @ 10:45am

TURNBULL SCHOOL MUSIC ROOM ADDITION		
SCALE: 1:30	APPROVED BY:	DRAWN BY
DATE: NOV/2018		REVISED
CENTENNIAL GLASS DEPOT		
HOBIN ARCHITECTURE		DRAWING NUMBER 10F4



GC TO COORDINATE STUD SIZE TO SUIT VERT. CURTAINWALL TO BE EXTENSION

SELF-ADHESIVE AIR BARRIER MEMBRANE TIE-IN TO CURTAINWALL FRAME

ALUMINUM CLOSURE BY CENTENNIAL

ALUMINUM FLASHING BY CENTENNIAL

SELF-ADHESIVE AIR BARRIER MEMBRANE

SHOP DRAWING REVIEW

- REVIEWED
- REVIEWED AS NOTED
- REVISE AND RESUBMIT

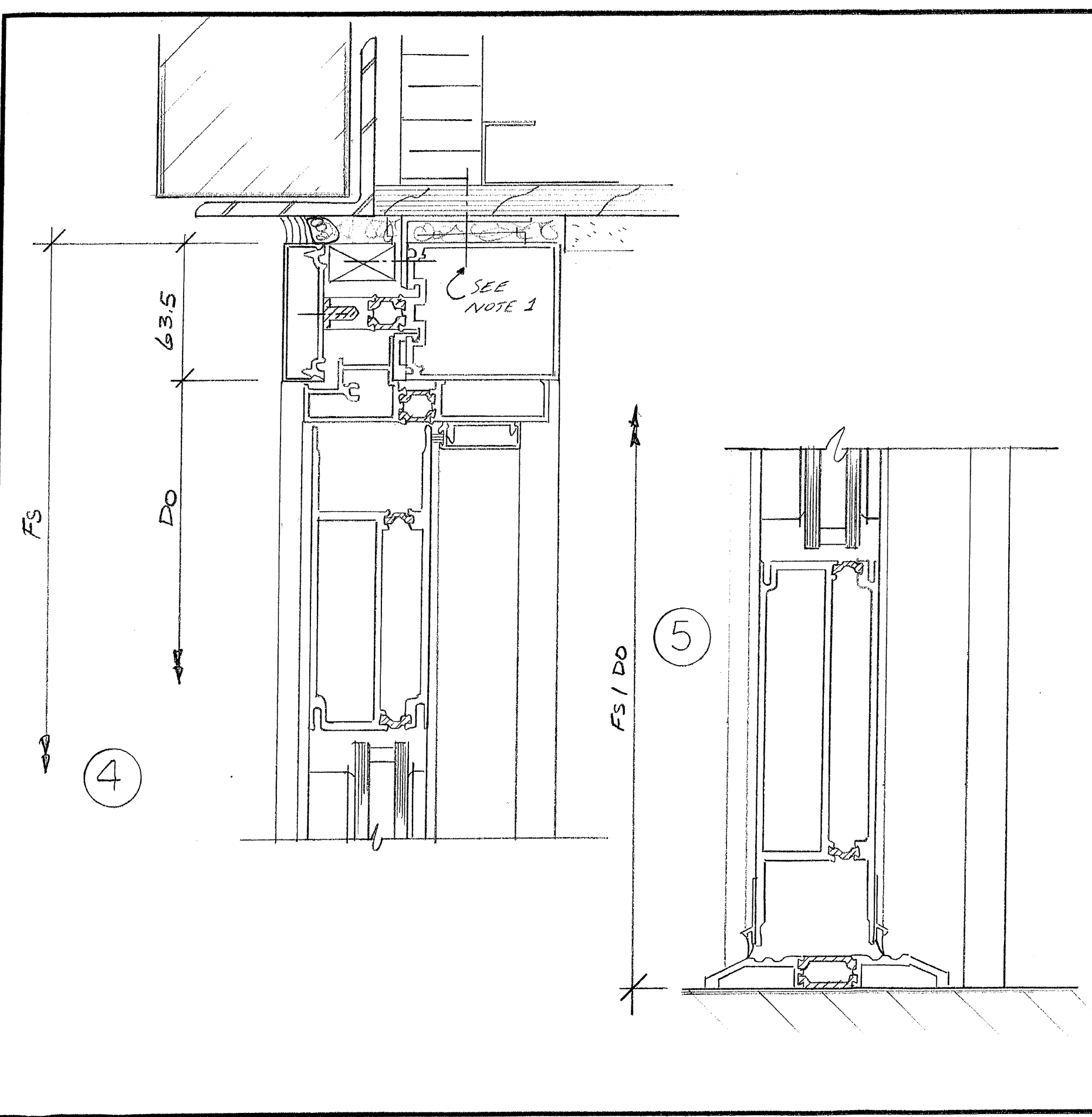


"This review is for the sole purpose of ascertaining conformance with the general design concept for architectural features only, and does not in any way constitute review of the design of engineering elements which form part of the Contract Documents prepared by others. This review shall not mean that the Architect approves the detail design inherent in the shop drawings. This responsibility shall remain with the Contractor submitting same, and such review shall not relieve the Contractor of his responsibility for errors or omissions in the shop drawings or of his responsibility for meeting all requirements of the Contract Documents. The Contractor is responsible for dimensions to be confirmed and correlated at the job site, for information that pertains solely to fabrication processes, or to techniques of construction and installation and for co-ordination for the work of all trades."

By: Michelle Cataldo Date: Dec. 10, 2018  
HOBIN ARCHITECTURE INCORPORATED



TURNBULL SCHOOL MUSIC ROOM ADDITION		
SCALE: 1:20	APPROVED BY:	DRAWN BY
DATE: NOV 2018		REVISED
CENTENNIAL GLASS DEPOT		
HOBIN ARCHITECTURE		DRAWING NUMBER 2 OF 4



**SHOP DRAWING REVIEW**

- REVIEWED
- REVIEWED AS NOTED
- REVISE AND RESUBMIT

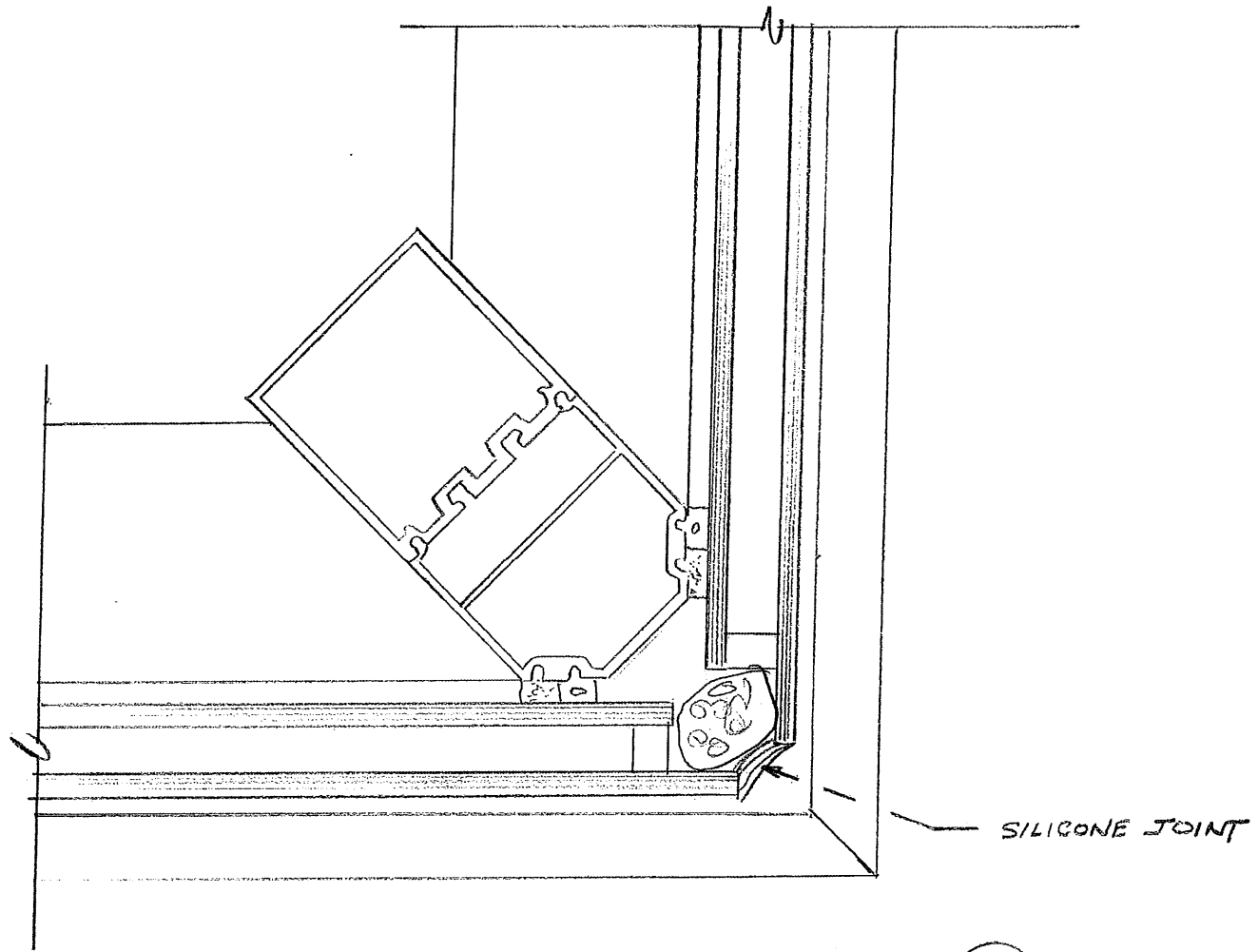
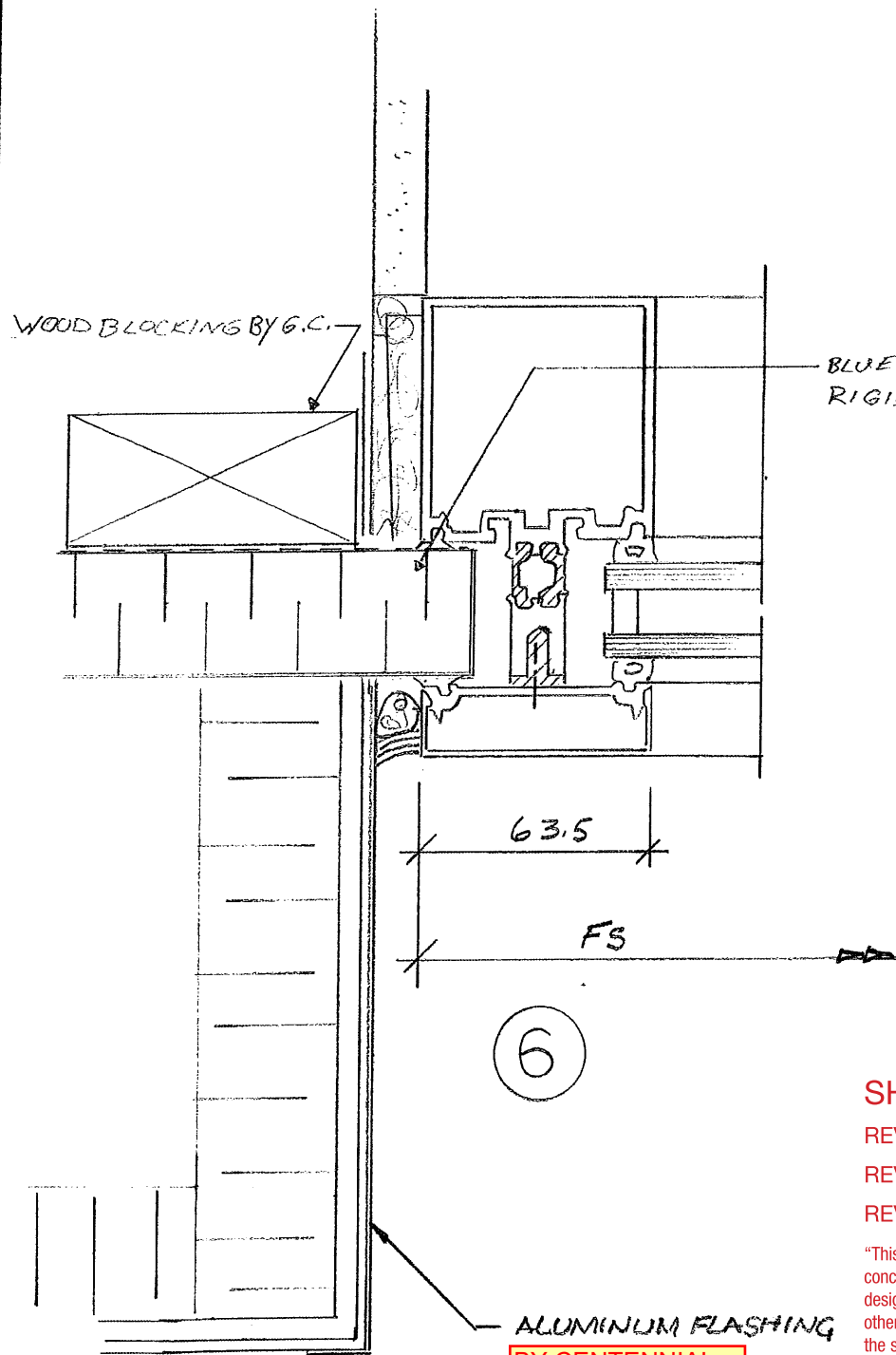


"This review is for the sole purpose of ascertaining conformance with the general design concept for architectural features only, and does not in any way constitute review of the design of engineering elements which form part of the Contract Documents prepared by others. This review shall not mean that the Architect approves the detail design inherent in the shop drawings. This responsibility shall remain with the Contractor submitting same, and such review shall not relieve the Contractor of his responsibility for errors or omissions in the shop drawings or of his responsibility for meeting all requirements of the Contract Documents. The Contractor is responsible for dimensions to be confirmed and correlated at the job site, for information that pertains solely to fabrication processes, or to techniques of construction and installation and for co-ordination for the work of all trades."

By: Michelle Cataldo Date: Dec. 10, 2018  
 HOBIN ARCHITECTURE INCORPORATED



TURNBULL SCHOOL MUSIC ROOM ADDITION		
SCALE: 1/2	APPROVED BY:	DRAWN BY
DATE: NOV/2018		REVISED
CENTENNIAL GLASS DEPOT		
HOBIN ARCHITECTURE		DRAWING NUMBER 3 OF 4



6

7

**SHOP DRAWING REVIEW**

- REVIEWED
- REVIEWED AS NOTED
- REVISE AND RESUBMIT



"This review is for the sole purpose of ascertaining conformance with the general design concept for architectural features only, and does not in any way constitute review of the design of engineering elements which form part of the Contract Documents prepared by others. This review shall not mean that the Architect approves the detail design inherent in the shop drawings. This responsibility shall remain with the Contractor submitting same, and such review shall not relieve the Contractor of his responsibility for errors or omissions in the shop drawings or of his responsibility for meeting all requirements of the Contract Documents. The Contractor is responsible for dimensions to be confirmed and correlated at the job site, for information that pertains solely to fabrication processes, or to techniques of construction and installation and for co-ordination for the work of all trades."

By: Michelle Cataldo Date: Dec. 10, 2018  
 HOBIN ARCHITECTURE INCORPORATED



ALUMINUM FLASHING  
 BY CENTENNIAL

TURNBULL SCHOOL MUSIC ROOM ADDITION		
SCALE: 1:2	APPROVED BY:	DRAWN BY
DATE: NOV/2018		REVISED
CENTENNIAL GLASS DEPOT		
HOBIN ARCHITECTURE		DRAWING NUMBER 4 OF 4