

SHOP DRAWING TRANSMITTAL



Project: Turnbull School Music Room Addition Project No: 1705
Date: December 20, 2018
To: TALCO Building Innovations Ltd.
Attn: Farah Bano (fbano@tal-co.com)
From: Michelle Cataldo

- | | |
|--|--|
| <input type="checkbox"/> Approval | <input type="checkbox"/> Courier |
| <input checked="" type="checkbox"/> Distribution | <input type="checkbox"/> By Hand |
| <input type="checkbox"/> Information and Use | <input type="checkbox"/> Fax |
| <input type="checkbox"/> Review and Comment | <input type="checkbox"/> To Be Picked Up |
| <input type="checkbox"/> Other | <input checked="" type="checkbox"/> e-mail |

Partners

Barry J. Hobin
OAA, FRAIC, Hon. Fellow AIA
William A. Davis
OAA, MRAIC, Associate AIA
Gordon Lorimer
OAA, FRAIC, Associate AIA
Wendy Brawley
OAA, MRAIC, Associate AIA
Douglas Brooks
Senior Arch. Tech.

Directors

Marc Thivierge
OAA, MRAIC
Reinhard Vogel
Senior Arch. Tech.

Associates

Bryan Bonell
OAA, MRAIC, Associate AIA
William Ritcey
MRAIC
Dan Henhoeffter
Senior Arch. Tech.

Hobin Architecture Incorporated

63 Pamilla Street
Ottawa, Ontario
Canada K1S 3K7

t 613-238-7200
f 613-235-2005

hobinarc.com

Shop Drawing Submittal:

Submitted by:

Drawing Title:

Revision No.

Dated:

Comments:

Reviewed as noted.

Division 06 – Wood, Plastic, Composites

KSL Construction Services LTD.

Millwork Set:

Title Page
M1.0 Floor Cabinet
M1.1 Floor Cabinet
M2.0 Electric Panel
M3.0 Window Sill
M4.0 Window Sill

N/A

December 19, 2018

JOB #3325

TAL-CO CONSTRUCTION TURNBULL LEARNING CENTRE MUSIC ROOM

Drawing List

Number	Description
M1.0	FLOOR CABINET - PLAN & ELEVATIONS
M1.1	FLOOR CABINET - SECTIONS
M2.0	ELECTRICAL PANEL CLOSET DOORS - ELEVATION & SECTION
M3.0	WINDOW SILL - NORTH WEST CORNER - PLAN, PLAN DETAIL & DETAIL
M4.0	WINDOW SILL - NORTH EAST CORNER - PLAN, PLAN DETAIL & DETAIL

Construction Notes

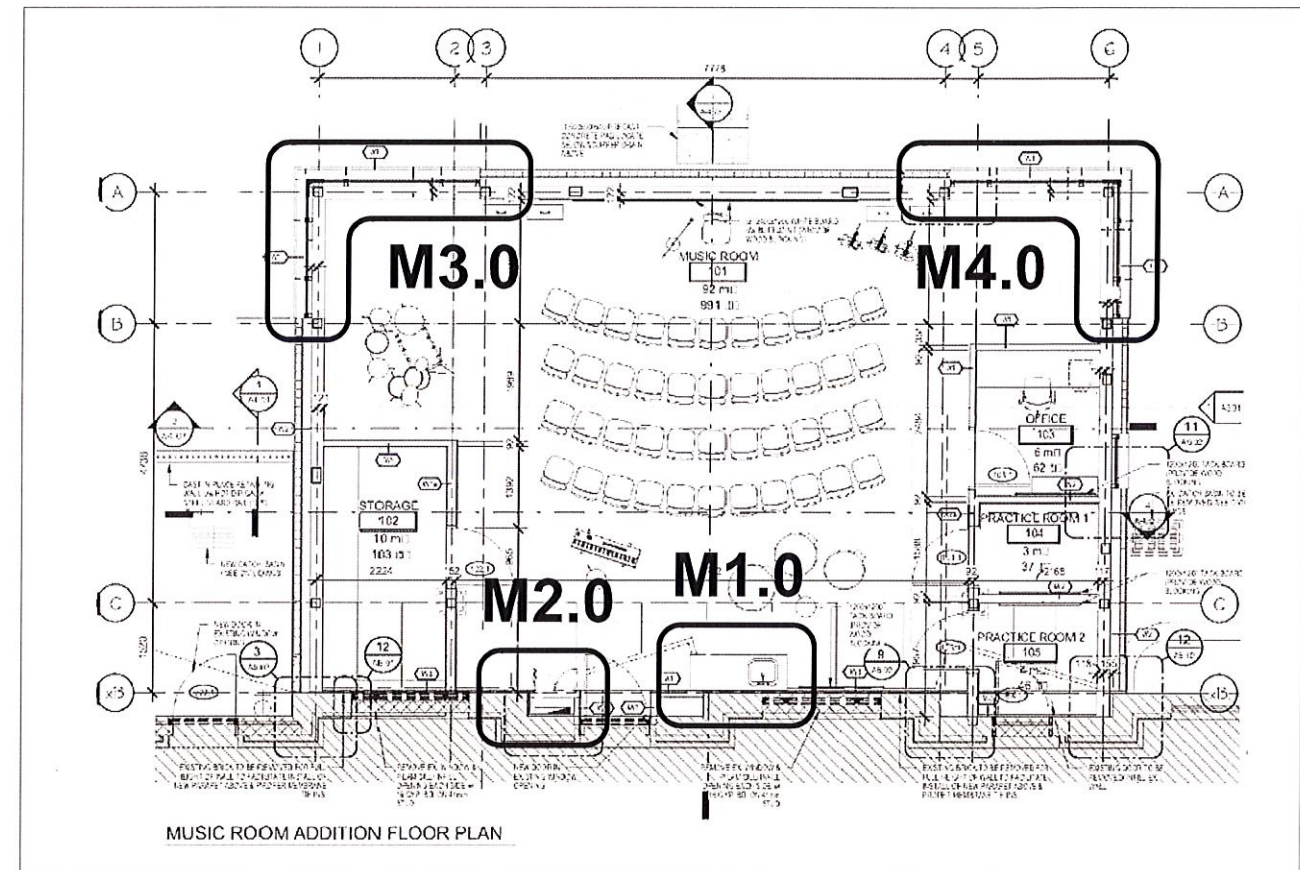
- ✓ 1. DIMENSIONS TO BE VERIFIED ON SITE PRIOR TO FABRICATION.
- ✓ 2. CABINETS TO BE CONSTRUCTED OF 19mm [3/4"] MAPLE VENEER PARTICLE CORE C/W STAIN FINISH.
- ✓ 3. GRAIN DIRECTION OF VENEER TO BE VERTICAL UNLESS OTHERWISE NOTED.
- ✓ 4. TOPS TO BE CONSTRUCTED OF 13mm [1/2"] SOLID SURFACE MATERIAL.
- ✓ 5. ADJUSTABLE SHELVES TO BE ON PINS IN PREDRILLED 7.5mm DIA. HOLES @ 32mm O.C. .

Finishes Schedule

Number	Description
SS1	SOLID SURFACE [WHITE PEBBLE] ✓ 758 'BIANCO MINERAL' BY FORMICA
WD1	✓ WOOD VENEER [MAPLE] STAIN FINISH TO MATCH SAMPLE PROVIDED
PL1	PLASTIC LAMINATE [XXXX] T.B.D. FUSION MAPLE 7909-60 MATTE FINISH

Hardware Legend

Number	Description
1	METAL D-PULL BY RICHELIEU #BP33205195, <u>BRUSHED NICKEL</u>
2	HINGE: CLIP TOP 170 DEGREE BY BLUM
3	TOUCH LATCH BY RICHELIEU, #9561004 INCL. HORIZONTAL ADAPTER #9561201
4	STRAIGHT CYLINDER NICKEL PLATED CAM LOCK LOCK BODY: HAFELE 235.08.303 LOCK CORE: HAFELE 210.04.615 STRIKE PLATE: HAFELE 239.47.604 LOCKS TO BE KEYED ALIKE.



SHOP DRAWING REVIEW

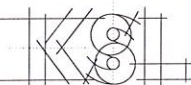
- REVIEWED
- REVIEWED AS NOTED
- REVISE AND RESUBMIT



"This review is for the sole purpose of ascertaining conformance with the general design concept for architectural features only, and does not in any way constitute review of the design of engineering elements which form part of the Contract Documents prepared by others. This review shall not mean that the Architect approves the detail design inherent in the shop drawings. This responsibility shall remain with the Contractor submitting same, and such review shall not relieve the Contractor of his responsibility for errors or omissions in the shop drawings or of his responsibility for meeting all requirements of the Contract Documents. The Contractor is responsible for dimensions to be confirmed and correlated at the job site, for information that pertains solely to fabrication processes, or to techniques of construction and installation and for co-ordination for the work of all trades."

KSL - Submitted - Dec 19, 2018
TBL - FB review - Dec 19, 2018

KSL CONSTRUCTION SERVICES LTD.



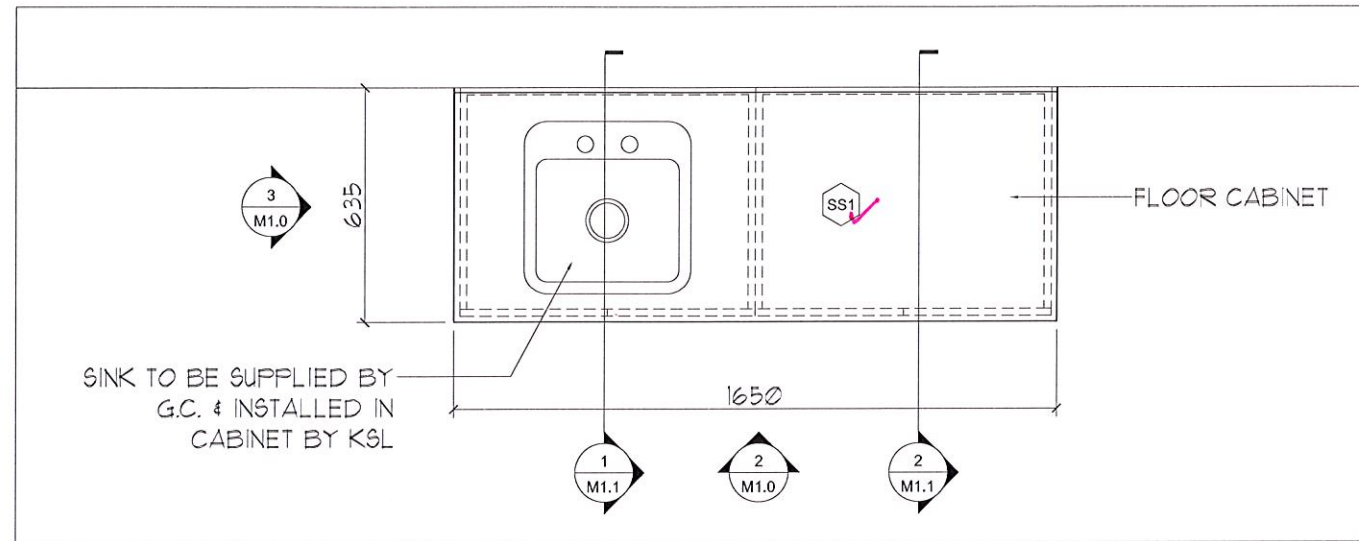
2570 Edinburgh Place, Ottawa, Ontario K1B 5M1
Tel: (613) 746-5785 Fax: (613) 746-9958
E-mail: info@kslcs.com Website: www.kslcs.com

By: Michelle Cataldo Date: Dec. 20, 2018
HOBIN ARCHITECTURE INCORPORATED

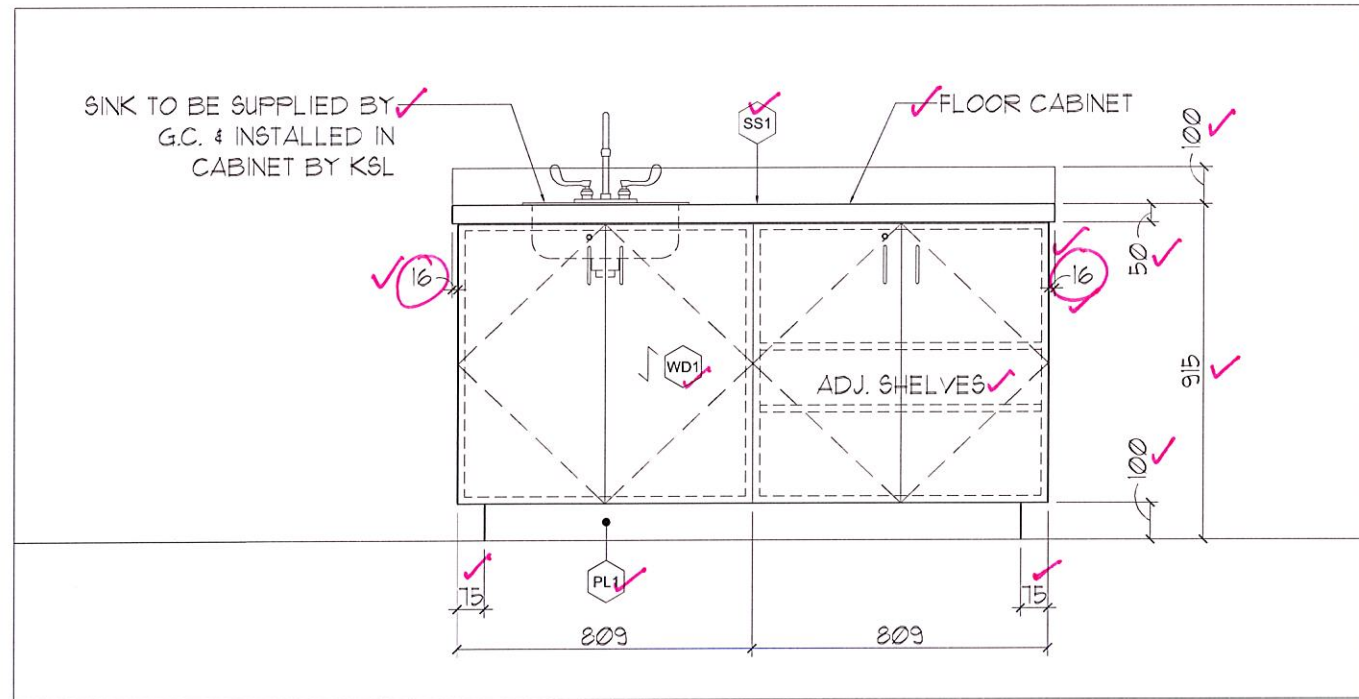
FOR REVIEW

DECEMBER 07 2018

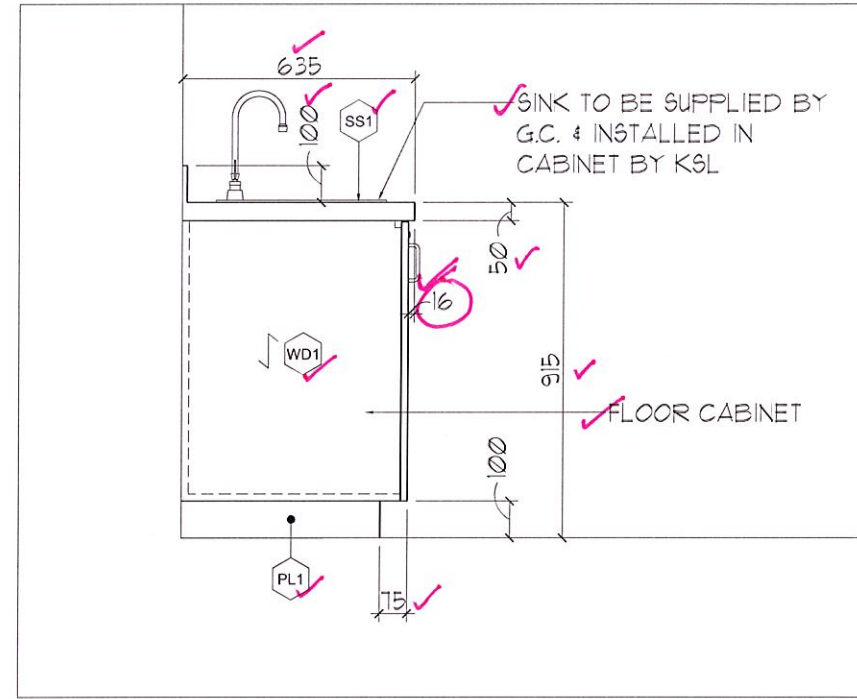
MILLWORK SET



1 PLAN
M1.0 SCALE 1:20



2 ELEVATION
M1.0 SCALE 1:20



3 ELEVATION
M1.0 SCALE 1:20

Construction Notes

- DIMENSIONS TO BE VERIFIED ON SITE PRIOR TO FABRICATION.
- CABINETS TO BE CONSTRUCTED OF 19mm [3/4"] MAPLE VENEER PARTICLE CORE C/W STAIN FINISH.
- GRAIN DIRECTION OF VENEER TO BE VERTICAL UNLESS OTHERWISE NOTED.
- TOPS TO BE CONSTRUCTED OF 13mm [1/2"] SOLID SURFACE MATERIAL.

Finishes Schedule

Number	Description
SS1	SOLID SURFACE [WHITE PEBBLE] 758 'BIANCO MINERAL' BY FORMICA
WD1	WOOD VENEER [MAPLE] STAIN FINISH TO MATCH SAMPLE PROVIDED
PL1	PLASTIC LAMINATE [XXXX] T.B.D.

**FUSION MAPLE 7909-60
MATTE FINISH**

SHOP DRAWING REVIEW

- REVIEWED
- REVIEWED AS NOTED
- REVISE AND RESUBMIT



"This review is for the sole purpose of ascertaining conformance with the general design concept for architectural features only, and does not in any way constitute review of the design of engineering elements which form part of the Contract Documents prepared by others. This review shall not mean that the Architect approves the detail design inherent in the shop drawings. This responsibility shall remain with the Contractor submitting same, and such review shall not relieve the Contractor of his responsibility for errors or omissions in the shop drawings or of his responsibility for meeting all requirements of the Contract Documents. The Contractor is responsible for dimensions to be confirmed and correlated at the job site, for information that pertains solely to fabrication processes, or to techniques of construction and installation and for co-ordination for the work of all trades."

By: Michelle Cataldo Date: Dec. 20, 2018
HOBIN ARCHITECTURE INCORPORATED

TAL-CO CONSTRUCTION
TURNBULL LEARNING CENTRE MUSIC RM.
DATE: DEC 05 2018
SCALE: AS SHOWN

KSL CONSTRUCTION SERVICES LTD.
2570 Edinburgh Place, Ottawa, Ontario K1B 5M1
Tel: (613) 746-5785
E-mail: info@kslcs.com
Website: www.kslcs.com

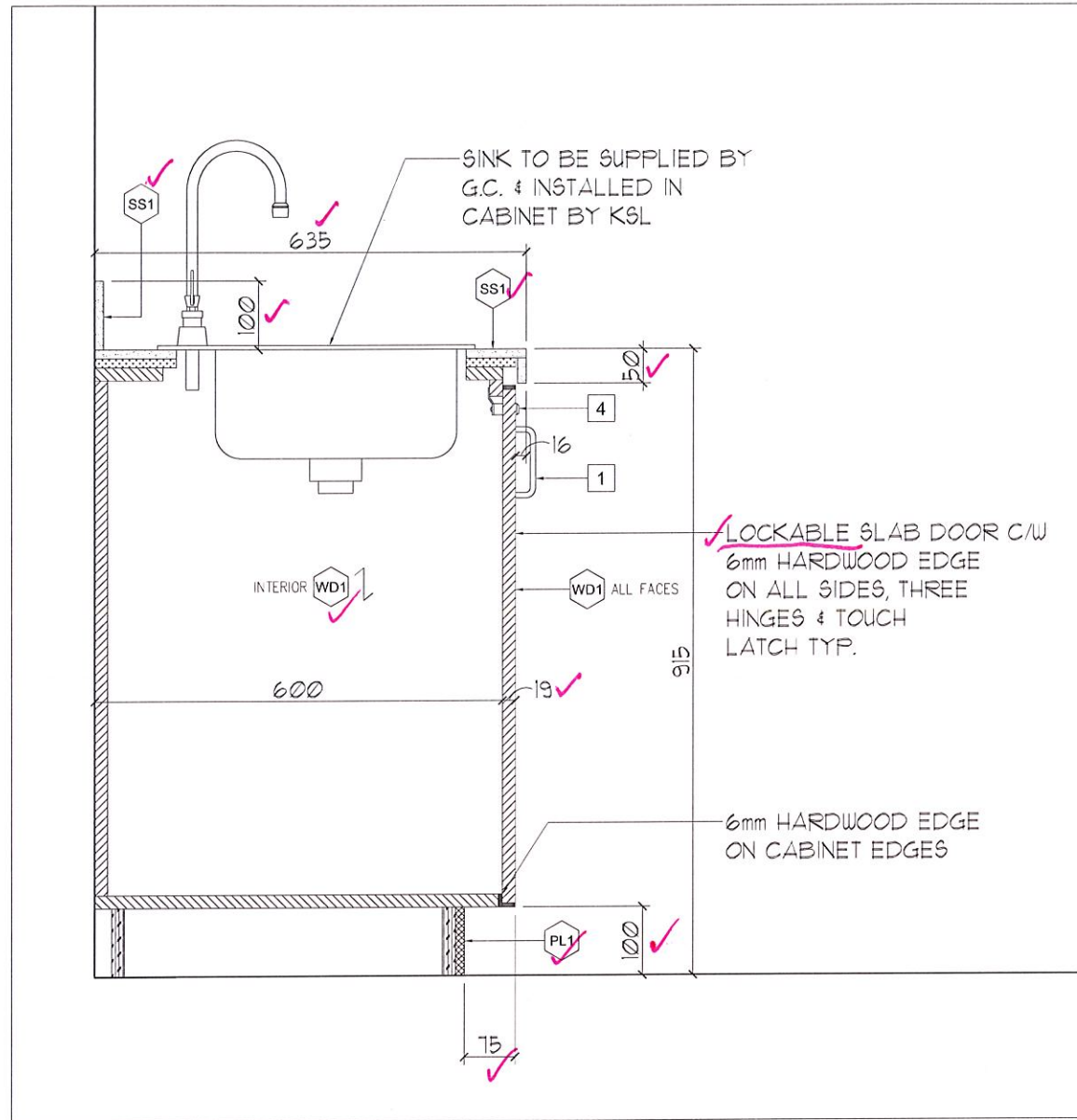
REVISIONS
NO. DATE DESCRIPTION
1 DEC 07 2018 SUBMITTED FOR REVIEW

JOB NO.: 3325
FILE NAME: Tal-Co Turnbull M1.0.dwg

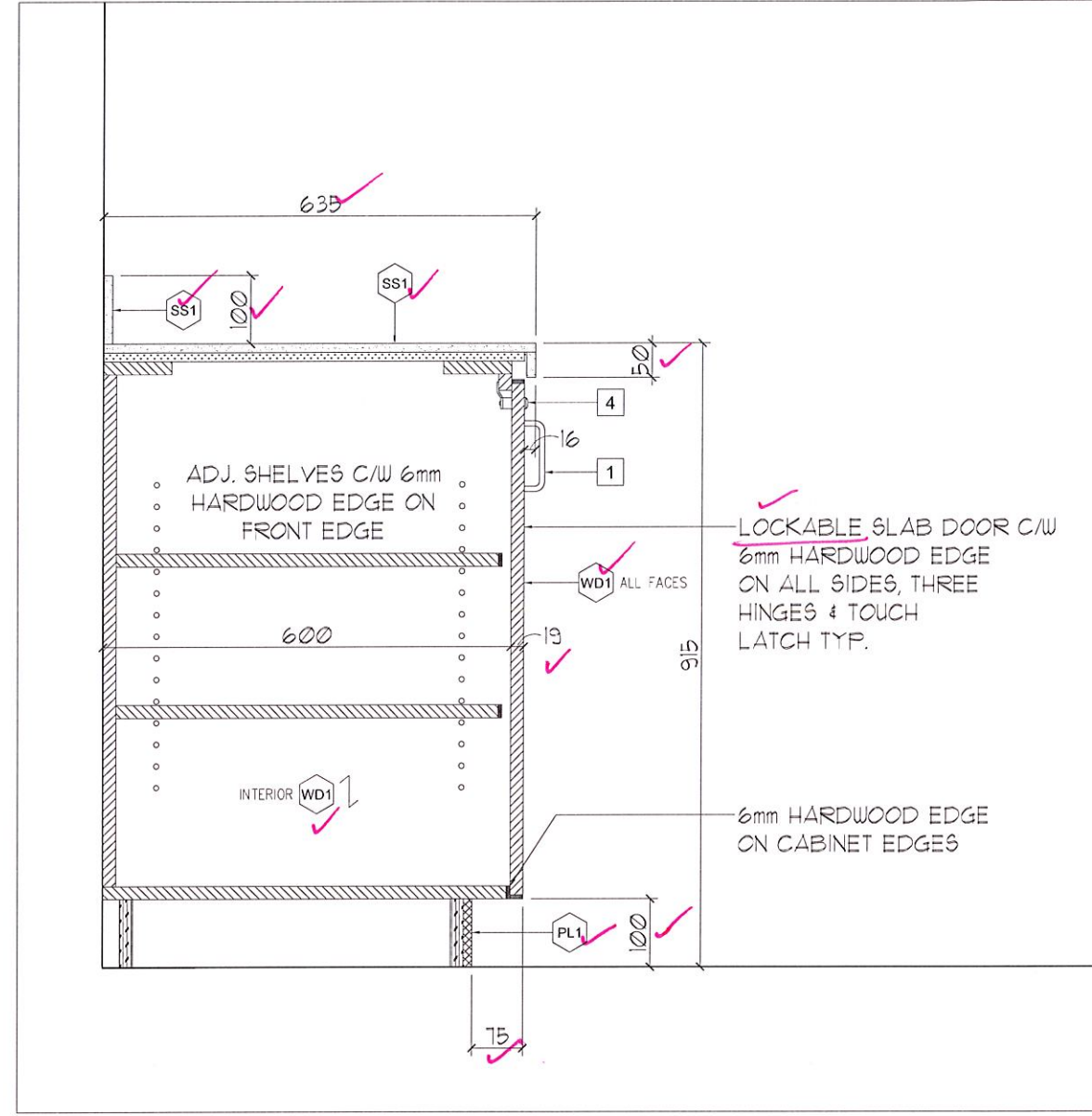
FLOOR CABINET
PLAN & ELEVATIONS

M1.0 NO. 2 OF 6

FOR REVIEW



1 SECTION
M1.1 SCALE 1:10



2 SECTION
M1.1 SCALE 1:10

Construction Notes

- DIMENSIONS TO BE VERIFIED ON SITE PRIOR TO FABRICATION.
- CABINETS TO BE CONSTRUCTED OF 19mm [3/4"] MAPLE VENEER PARTICLE CORE C/W STAIN FINISH.
- GRAIN DIRECTION OF VENEER TO BE VERTICAL UNLESS OTHERWISE NOTED.
- TOPS TO BE CONSTRUCTED OF 13mm [1/2"] SOLID SURFACE MATERIAL.
- ADJUSTABLE SHELVES TO BE ON PINS IN PREDRILLED 7.5mm DIA. HOLES @ 32mm O.C. .

Finishes Schedule

Number	Description
SS1	SOLID SURFACE [WHITE PEBBLE] 758 'BIANCO MINERAL' BY FORMICA
WD1	WOOD VENEER [MAPLE] STAIN FINISH TO MATCH SAMPLE PROVIDED
PL1	PLASTIC LAMINATE [XXXX] T.B.D.

FUSION MAPLE 7909-60 MATTE FINISH

Material Legend

	13mm [1/2"] SOLID SURFACE
	19mm [3/4"] PLYWOOD
	19mm [3/4"] MAPLE VENEER PARTICLE CORE
	13mm [1/2"] PLYWOOD
	13mm [1/2"] MOISTURE RESISTANT MDF

Hardware Legend

1	METAL D-PULL BY RICHELIEU #BP33205195, BRUSHED NICKEL
2	HINGE: CLIP TOP 170 DEGREE BY BLUM
3	TOUCH LATCH BY RICHELIEU, #9561004 INCL. HORIZONTAL ADAPTER #9561201
4	STRAIGHT CYLINDER NICKEL PLATED CAM LOCK LOCK BODY: HAFELE 235.08.303 LOCK CORE: HAFELE 210.04.615 STRIKE PLATE: HAFELE 239.47.604 LOCKS TO BE KEYED ALIKE.

SHOP DRAWING REVIEW

- REVIEWED
- REVIEWED AS NOTED
- REVISE AND RESUBMIT



*This review is for the sole purpose of ascertaining conformance with the general design concept for architectural features only, and does not in any way constitute review of the design of engineering elements which form part of the Contract Documents prepared by others. This review shall not mean that the Architect approves the detail design inherent in the shop drawings. This responsibility shall remain with the Contractor submitting same, and such review shall not relieve the Contractor of his responsibility for errors or omissions in the shop drawings or of his responsibility for meeting all requirements of the Contract Documents. The Contractor is responsible for dimensions to be confirmed and correlated at the job site, for information that pertains solely to fabrication processes, or to techniques of construction and installation and for co-ordination for the work of all trades.

By: Michelle Cataldo Date: Dec. 20, 2018
HOBIN ARCHITECTURE INCORPORATED

FOR REVIEW

TAL-CO CONSTRUCTION
TURNBULL LEARNING CENTRE MUSIC RM.
DATE: DEC 05 2018
SCALE: AS SHOWN

M1.1

NO. 2 OF 6

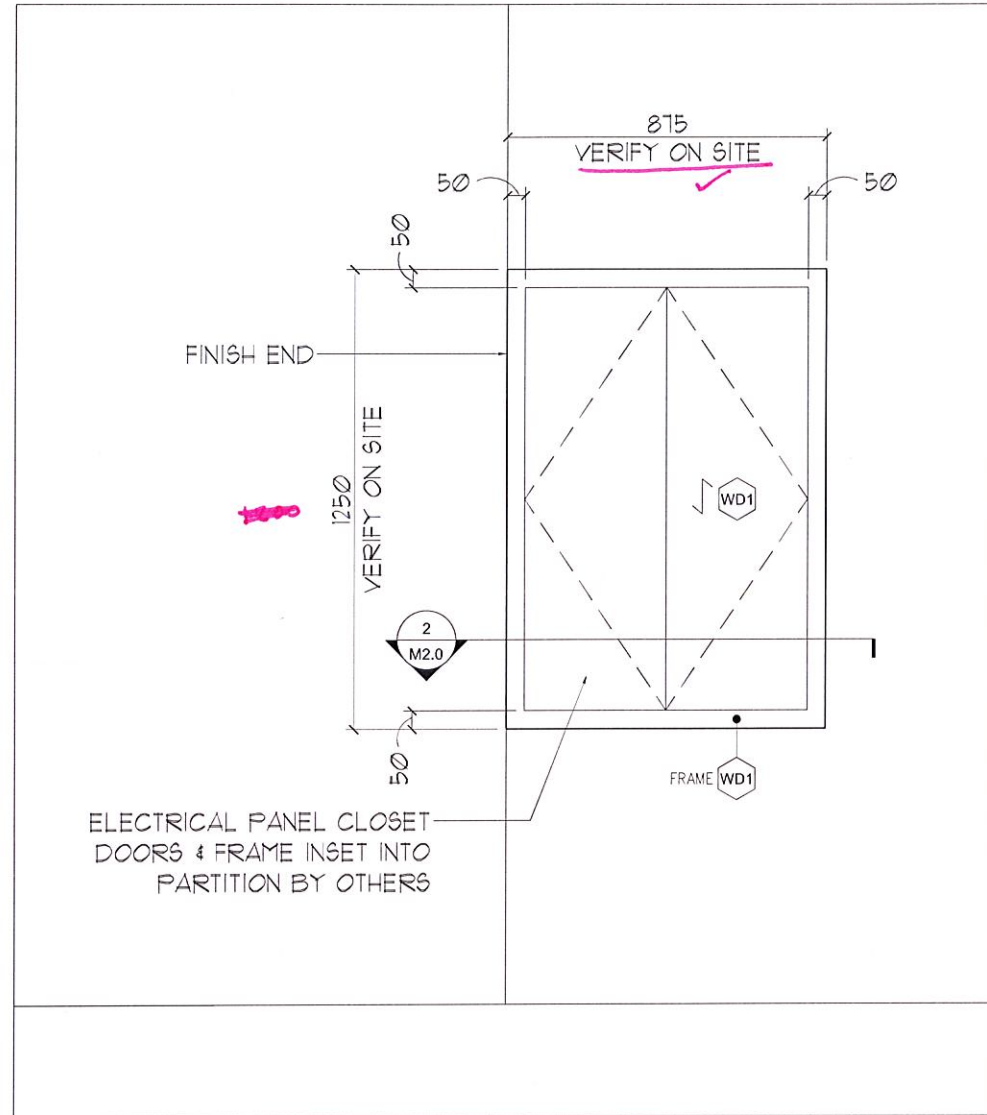
FLOOR CABINET SECTIONS

REVISIONS

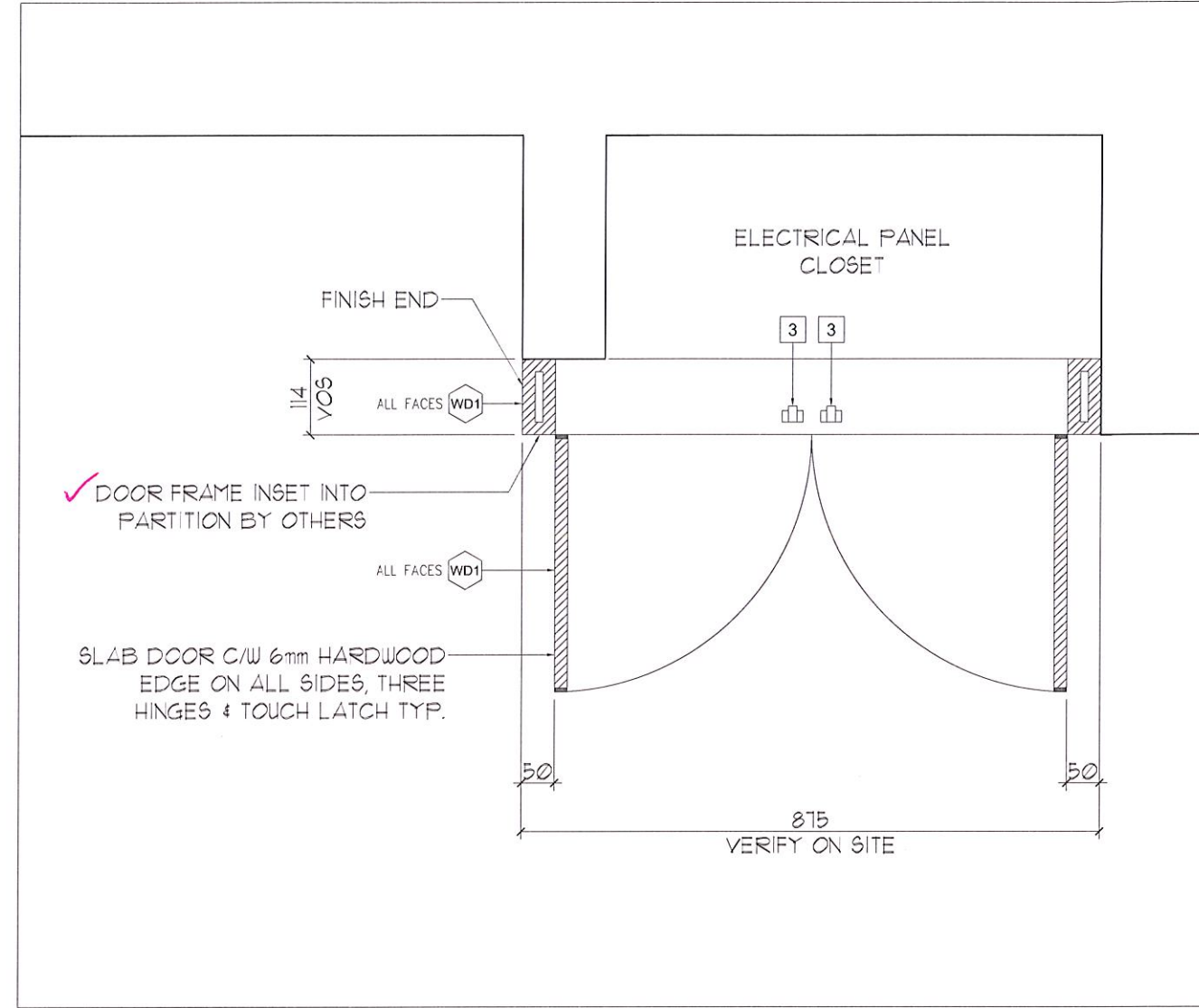
NO.	DATE	DESCRIPTION
1	DEC 07 2018	SUBMITTED FOR REVIEW

JOB NO.: 3325
FILE NAME: Tal-Co Turnbull M1.0.dwg

KSL CONSTRUCTION SERVICES LTD.
2570 Edinburgh Place, Ottawa, Ontario K1B 5M1
Tel: (613) 746-5785 Fax: (613) 746-9958
E-mail: info@kslcs.com Website: www.kslcs.com



1 ELEVATION
M2.0 SCALE 1:20



2 SECTION
M2.0 SCALE 1:10

Construction Notes

- DIMENSIONS TO BE VERIFIED ON SITE PRIOR TO FABRICATION.
- CABINETS TO BE CONSTRUCTED OF 19mm [3/4"] MAPLE VENEER PARTICLE CORE C/W STAIN FINISH.
- GRAIN DIRECTION OF VENEER TO BE VERTICAL UNLESS OTHERWISE NOTED.

Finishes Schedule

Number	Description
SS1	SOLID SURFACE [WHITE PEBBLE] 758 'BIANCO MINERAL' BY FORMICA
WD1	WOOD VENEER [MAPLE] STAIN FINISH TO MATCH SAMPLE PROVIDED
PL1	PLASTIC LAMINATE [XXXX] T.B.D. FUSION MAPLE 7909-60 MATTE FINISH

Material Legend

	13mm [1/2"] SOLID SURFACE
	19mm [3/4"] PLYWOOD
	19mm [3/4"] MAPLE VENEER PARTICLE CORE
	13mm [1/2"] PLYWOOD
	13mm [1/2"] MOISTURE RESISTANT MDF

Hardware Legend

Number	Description
1	METAL D-PULL BY RICHELIEU #BP33205195, BRUSHED NICKEL
2	HINGE: CLIP TOP 170 DEGREE BY BLUM
3	TOUCH LATCH BY RICHELIEU, #9561004 INCL. HORIZONTAL ADAPTER #9561201
4	STRAIGHT CYLINDER NICKEL PLATED CAM LOCK LOCK BODY: HAFELE 235.08.303 LOCK CORE: HAFELE 210.04.615 STRIKE PLATE: HAFELE 239.47.604 LOCKS TO BE KEYED ALIKE.

SHOP DRAWING REVIEW
 REVIEWED
 REVIEWED AS NOTED
 REVISE AND RESUBMIT



*This review is for the sole purpose of ascertaining conformance with the general design concept for architectural features only, and does not in any way constitute review of the design of engineering elements which form part of the Contract Documents prepared by others. This review shall not mean that the Architect approves the detail design inherent in the shop drawings. This responsibility shall remain with the Contractor submitting same, and such review shall not relieve the Contractor of his responsibility for errors or omissions in the shop drawings or of his responsibility for meeting all requirements of the Contract Documents. The Contractor is responsible for dimensions to be confirmed and correlated at the job site, for information that pertains solely to fabrication processes, or to techniques of construction and installation and for co-ordination for the work of all trades.
 By: Michelle Cataldo Date: Dec. 20, 2018
 HOBIN ARCHITECTURE INCORPORATED

FOR REVIEW

TAL-CO CONSTRUCTION TURNBULL LEARNING CENTRE MUSIC RM. NO. 2 OF 6

DATE: DEC 05 2018 SCALE: AS SHOWN

DRAWN BY: KT

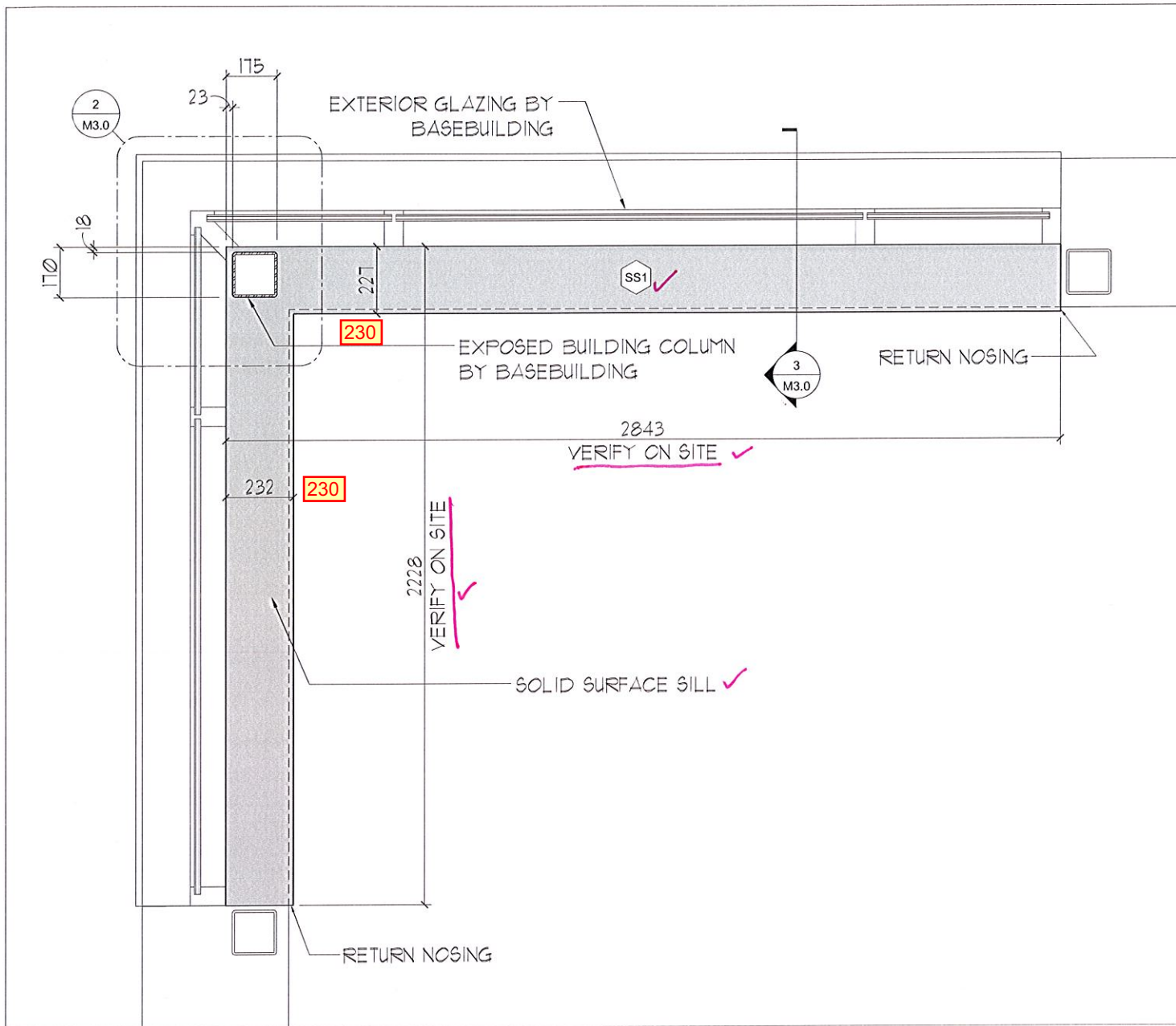
JOB NO.: 3325 FILE NAME: Tal-Co Turnbull M1.0.dwg

REVISIONS NO. DATE DESCRIPTION SUBMITTED FOR REVIEW

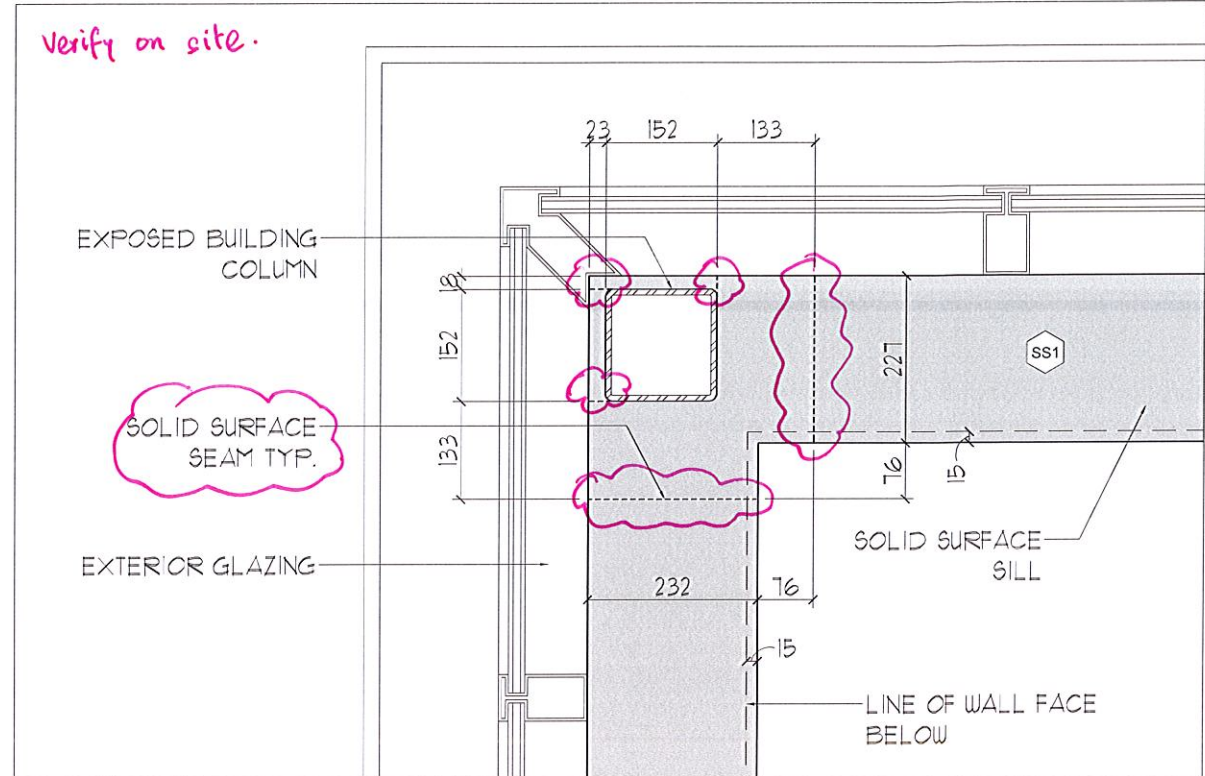
1	DEC 07 2018		
---	-------------	--	--

KSL CONSTRUCTION SERVICES LTD.

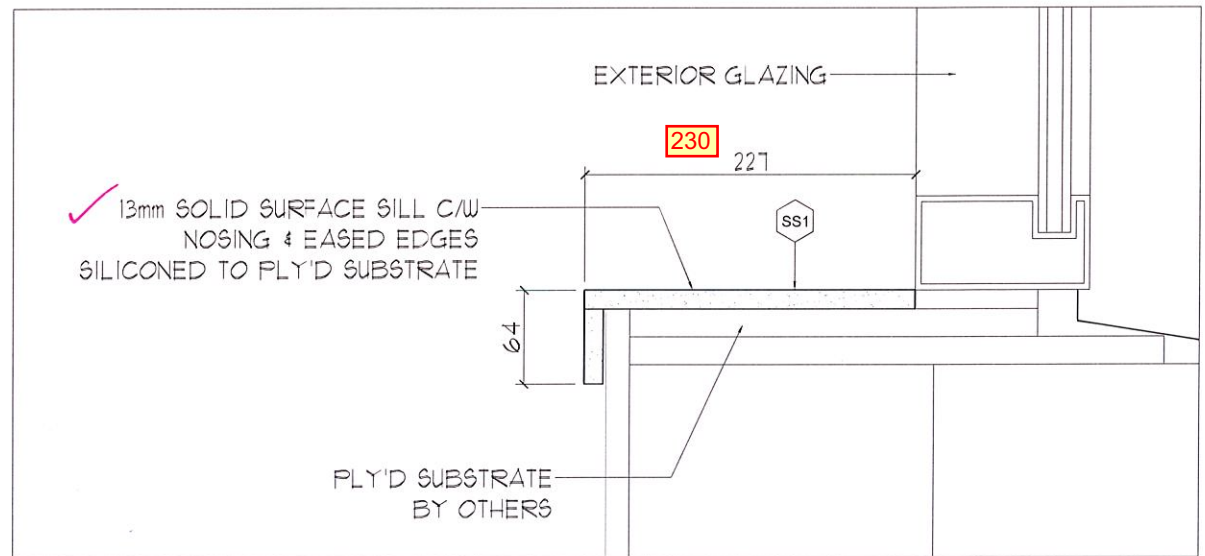
2570 Edinburgh Place, Ottawa, Ontario K1B 5M1
 Tel: (613) 746-5785 Fax: (613) 746-9958
 E-mail: info@kslcs.com Website: www.kslcs.com



1 PLAN
M3.0 SCALE 1:20



2 PLAN DETAIL
M3.0 SCALE 1:10



3 DETAIL
M3.0 SCALE 1:5

Construction Notes

- DIMENSIONS TO BE VERIFIED ON SITE PRIOR TO FABRICATION.
- TOPS TO BE CONSTRUCTED OF 13mm [1/2"] SOLID SURFACE MATERIAL.

Finishes Schedule

Number	Description
SS1	SOLID SURFACE [WHITE PEBBLE] 758 'BIANCO MINERAL' BY FORMICA
WD1	WOOD VENEER [MAPLE] STAIN FINISH TO MATCH SAMPLE PROVIDED
PL1	PLASTIC LAMINATE [XXXX] T.B.D. FUSION MAPLE 7909-60 MATTE FINISH

Material Legend

	13mm [1/2"] SOLID SURFACE
	19mm [3/4"] PLYWOOD
	19mm [3/4"] MAPLE VENEER PARTICLE CORE
	13mm [1/2"] PLYWOOD
	13mm [1/2"] MOISTURE RESISTANT MDF

SHOP DRAWING REVIEW
 REVIEWED
 REVIEWED AS NOTED
 REVISE AND RESUBMIT



"This review is for the sole purpose of ascertaining conformance with the general design concept for architectural features only and does not in any way constitute review of the design of engineering elements which form part of the Contract Documents prepared by others. This review shall not mean that the Architect approves the detail design inherent in the shop drawings. This responsibility shall remain with the Contractor submitting same, and such review shall not relieve the Contractor of his responsibility for errors or omissions in the shop drawings or of his responsibility for meeting all requirements of the Contract Documents. The Contractor is responsible for dimensions to be confirmed and correlated at the job site, for information that pertains solely to fabrication processes, or to techniques of construction and installation and for co-ordination for the work of all trades."

FOR REVIEW

By: Michelle Cataldo Date: Dec. 20, 2018
 HOBIN ARCHITECTURE INCORPORATED

TAL-CO CONSTRUCTION
TURNBULL LEARNING CENTRE MUSIC RM.
 DATE: DEC 05 2018
 SCALE: AS SHOWN

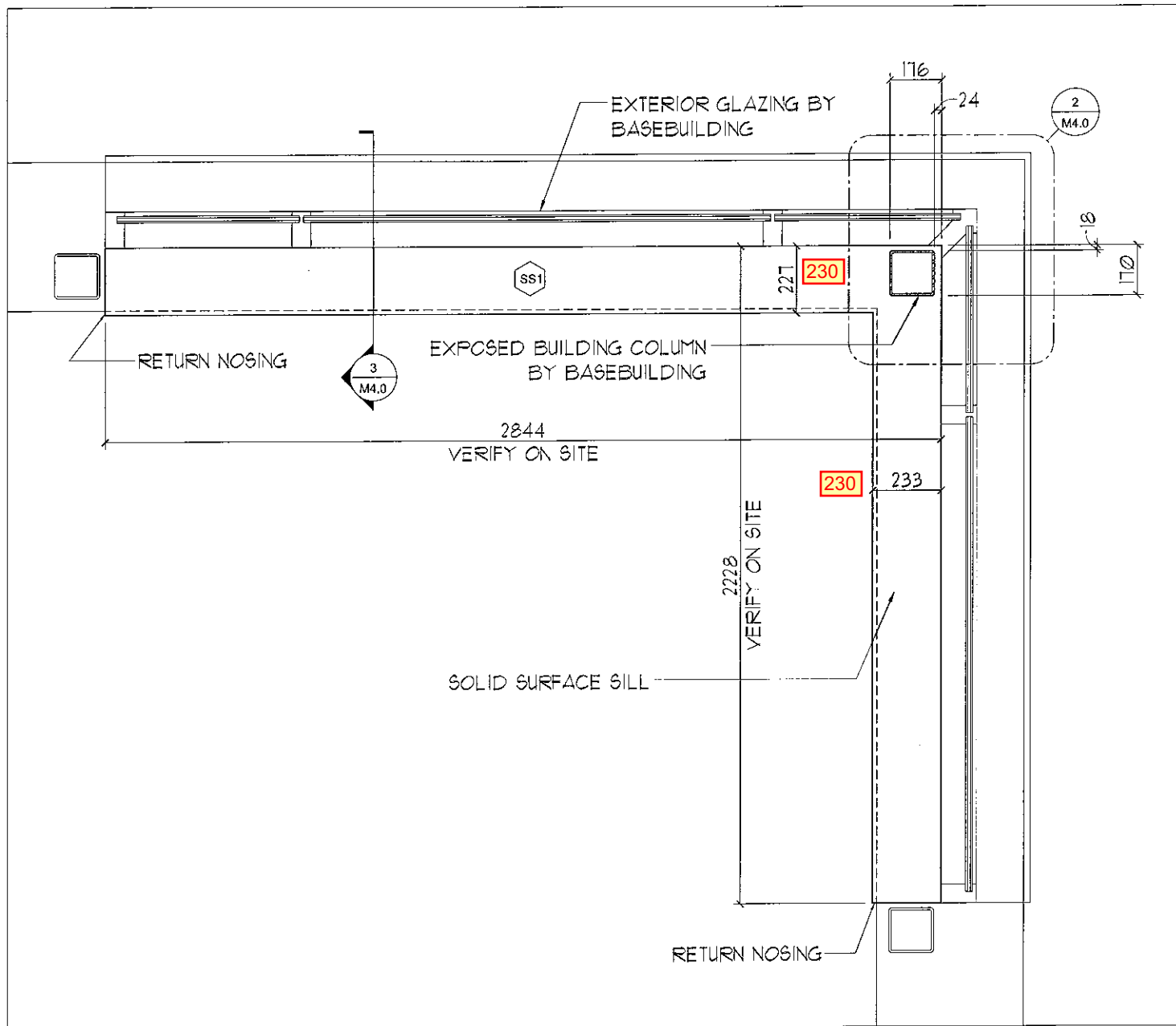
KSL CONSTRUCTION SERVICES LTD.
 2570 Edinburgh Place, Ottawa, Ontario K1B 5M1
 Tel: (613) 746-5785 Fax: (613) 746-9958
 E-mail: info@kslcs.com Website: www.kslcs.com

REVISIONS	NO.	DATE	DESCRIPTION	SUBMITTED FOR REVIEW
	1	DEC 07 2018		

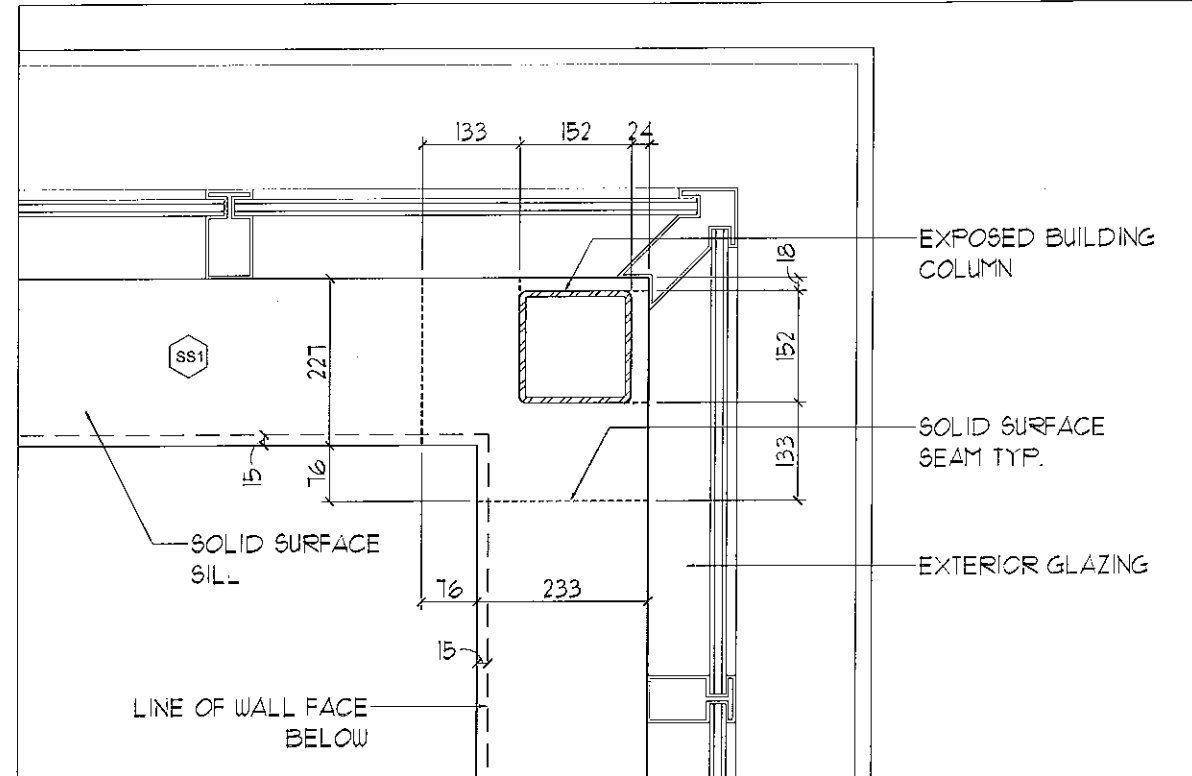
JOB NO.: 3325
 FILE NAME: Tal-Co Turnbull M1.0.dwg

WINDOW SILL - NORTH WEST CORNER
PLAN, PLAN DETAIL & DETAIL

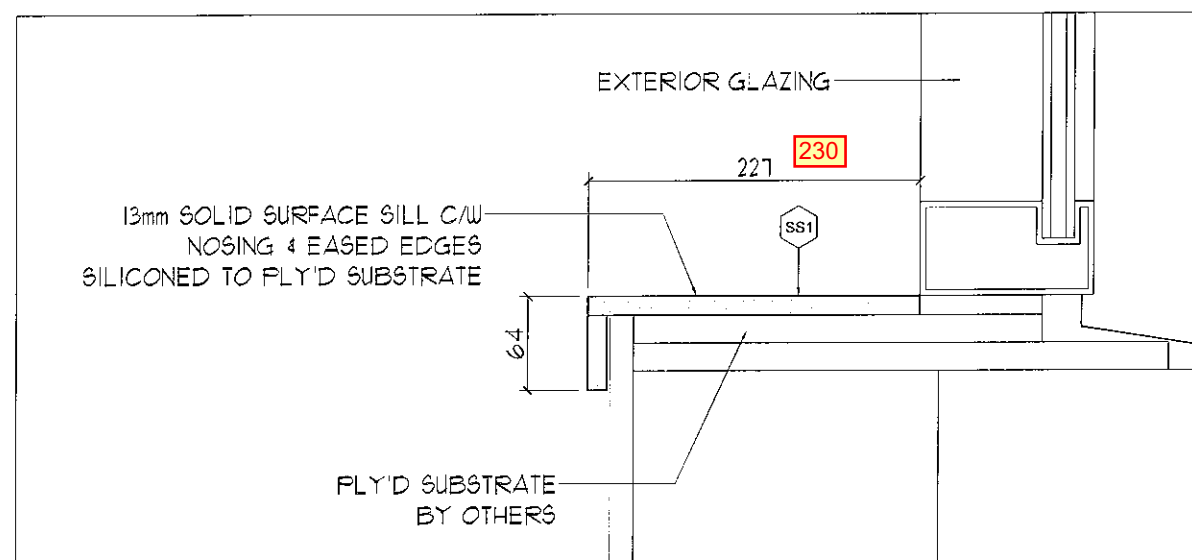
M3.0
 NO. 2 OF 6



1 PLAN
M4.0 SCALE 1:20



2 PLAN DETAIL
M4.0 SCALE 1:10



3 DETAIL
M4.0 SCALE 1:5

Construction Notes

- DIMENSIONS TO BE VERIFIED ON SITE PRIOR TO FABRICATION.
- TOPS TO BE CONSTRUCTED OF 13mm [1/2"] SOLID SURFACE MATERIAL.

Finishes Schedule

Number	Description
SS1	SOLID SURFACE [WHITE PEBBLE] 758 'BIANCO MINERAL' BY FORMICA
WD1	WOOD VENEER [MAPLE] STAIN FINISH TO MATCH SAMPLE PROVIDED
PL1	PLASTIC LAMINATE [XXXX] T.B.D. FUSION MAPLE 7909-60 MATTE FINISH

Material Legend

	13mm [1/2"] SOLID SURFACE
	19mm [3/4"] PLYWOOD
	19mm [3/4"] MAPLE VENEER PARTICLE CORE
	13mm [1/2"] PLYWOOD
	13mm [1/2"] MOISTURE RESISTANT MDF

SHOP DRAWING REVIEW

REVIEWED

REVIEWED AS NOTED

REVISE AND RESUBMIT

HOBIN ARCHITECTURE

*This review is for the sole purpose of ascertaining conformance with the general design concept for architectural features only, and does not in any way constitute review of the design of engineering elements which form part of the Contract Documents prepared by others. This review shall not mean that the Architect approves the detail design inherent in the shop drawings. This responsibility shall remain with the Contractor submitting same, and such review shall not relieve the Contractor of his responsibility for errors or omissions in the shop drawings or of his responsibility for meeting all requirements of the Contract Documents. The Contractor is responsible for dimensions to be confirmed and correlated at the job site, for information that pertains solely to fabrication processes, or to techniques of construction and installation and for co-ordination for the work of all trades.

FOR REVIEW

TAL-CO CONSTRUCTION
TURNBULL LEARNING CENTRE MUSIC RM.

DATE: DEC 05 2018
SCALE: AS SHOWN

DRAWN BY: KT

JOB NO.: 3325
FILE NAME: Tal-Co Turnbull M1.0.dwg

REVISIONS

NO.	DATE	DESCRIPTION
1	DEC 07 2018	SUBMITTED FOR REVIEW

KSL CONSTRUCTION SERVICES LTD.
2570 Edinburg Place, Ottawa, Ontario K1B 5M1
Tel: (613) 746-5785 Fax: (613) 746-5958
E-mail: info@kslcs.com Website: www.kslcs.com

WINDOW SILL - NORTH EAST CORNER
PLAN, PLAN DETAIL & DETAIL

M4.0

NO. 2 OF 6