

# SHOP DRAWING TRANSMITTAL



Project: Turnbull School Music Room Addition Project No: 1705  
Date: December 21, 2018  
To: TALCO Building Innovations Ltd.  
Attn: Farah Bano (fbano@tal-co.com)  
From: Michelle Cataldo

- |  |  |
|--|--|
| <input type="checkbox"/> Approval                | <input type="checkbox"/> Courier           |
| <input checked="" type="checkbox"/> Distribution | <input type="checkbox"/> By Hand           |
| <input type="checkbox"/> Information and Use     | <input type="checkbox"/> Fax               |
| <input type="checkbox"/> Review and Comment      | <input type="checkbox"/> To Be Picked Up   |
| <input type="checkbox"/> Other                   | <input checked="" type="checkbox"/> e-mail |

## Partners

Barry J. Hobin  
OAA, FRAIC, Hon. Fellow AIA  
William A. Davis  
OAA, MRAIC, Associate AIA  
Gordon Lorimer  
OAA, FRAIC, Associate AIA  
Wendy Brawley  
OAA, MRAIC, Associate AIA  
Douglas Brooks  
Senior Arch. Tech.

## Directors

Marc Thivierge  
OAA, MRAIC  
Reinhard Vogel  
Senior Arch. Tech.

## Associates

Bryan Bonell  
OAA, MRAIC, Associate AIA  
William Ritcey  
MRAIC  
Dan Henhoeffler  
Senior Arch. Tech.

## Hobin Architecture Incorporated

63 Pamilla Street  
Ottawa, Ontario  
Canada K1S 3K7

t 613-238-7200  
f 613-235-2005

[hobinarc.com](http://hobinarc.com)

Shop Drawing Submittal: Division 08 – Windows & Doors  
Submitted by: Alumaticor  
Drawing Title: Alternate Door ThermaPorte 7700 Spec Sheet  
Revision No. N/A  
Dated: December 20, 2018  
Comments:  
Reviewed as noted.

"This review is for the sole purpose of ascertaining conformance with the general design concept for architectural features only, and does not in any way constitute review of the design of engineering elements which form part of the Contract Documents prepared by others. This review shall not mean that the Architect approves the detail design inherent in the shop drawings. This responsibility shall remain with the Contractor submitting same, and such review shall not relieve the Contractor of his responsibility for errors or omissions in the shop drawings or of his responsibility for meeting all requirements of the Contract Documents. The Contractor is responsible for dimensions to be confirmed and correlated at the job site, for information that pertains solely to fabrication processes, or to techniques of construction and installation and for co-ordination for the work of all trades."

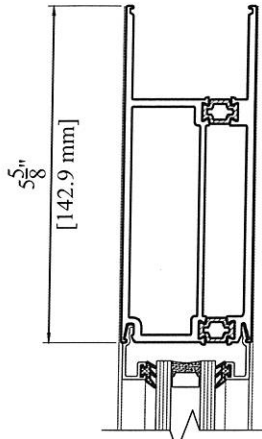
By: Michelle Cataldo Date: Dec. 21, 2018  
HOBIN ARCHITECTURE INCORPORATED

# ThermaPorte 7700

## Typical details - T600A Détails typiques - T600A

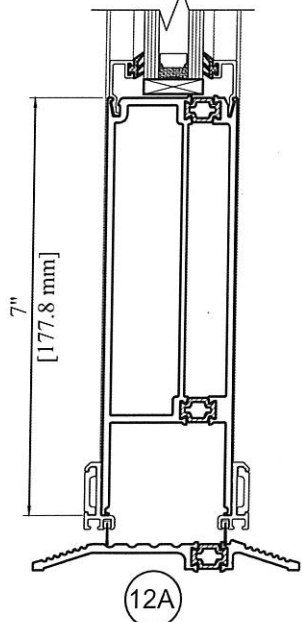
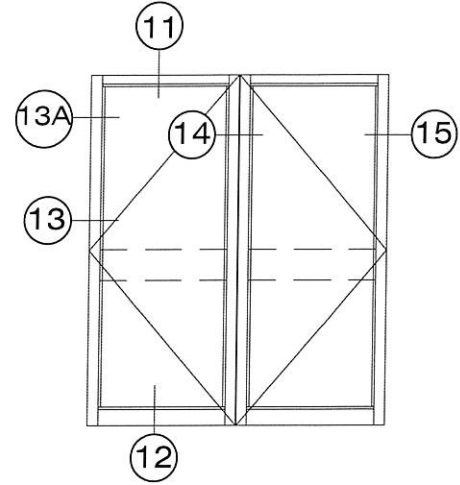
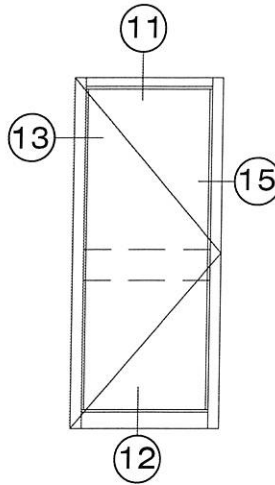
### Index

**ALUMINUM SUPPLIER IS RESPONSIBLE FOR COORDINATING HARDWOOD TO SUIT ALTERNATE DOOR.**



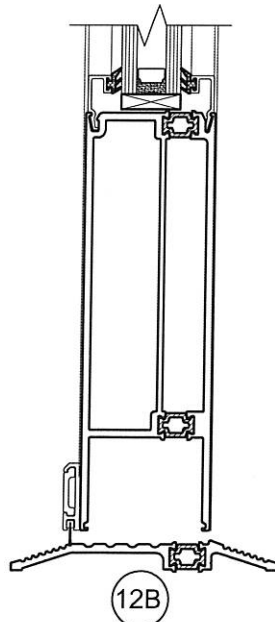
11

Top Rail  
*Traverse du haut*



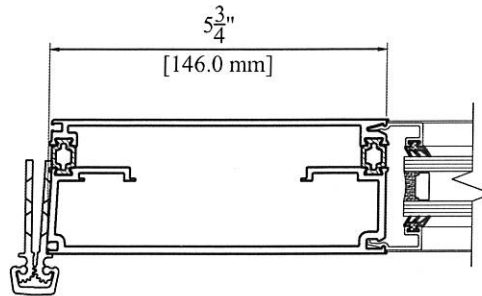
12A

Bottom Rail with double sweep  
*Traverse du bas avec balai double*



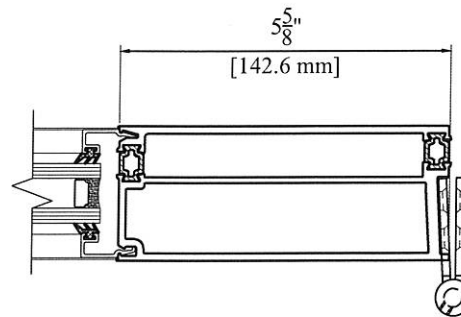
12B

Bottom Rail with single sweep  
*Traverse du bas avec balai simple*



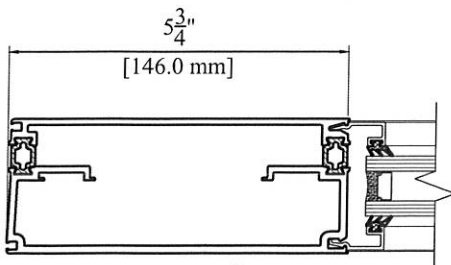
13A

Door Stile with Continuous Hinge  
*Porte montant avec charnières continues*



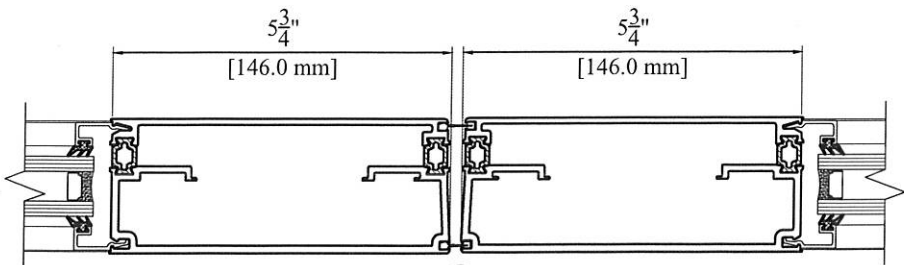
15

Door Stile with Butt Hinge  
*Porte montant avec charnières simples*



13

Door Stile  
*Porte montant*



14

Meeting stiles  
*Montants battants*