

SHOP DRAWING TRANSMITTAL



Project: Turnbull School Project No: 1705
Music Room Addition

Date: March 18, 2019

To: TALCO Building Innovations Ltd.

Attn: Farah Bano (fbano@tal-co.com)

From: Michelle Cataldo

- | | |
|--|--|
| <input type="checkbox"/> Approval | <input type="checkbox"/> Courier |
| <input checked="" type="checkbox"/> Distribution | <input type="checkbox"/> By Hand |
| <input type="checkbox"/> Information and Use | <input type="checkbox"/> Fax |
| <input type="checkbox"/> Review and Comment | <input type="checkbox"/> To Be Picked Up |
| <input type="checkbox"/> Other | <input checked="" type="checkbox"/> e-mail |

Partners

Barry J. Hobin
OAA, FRAIC, Hon. Fellow AIA

William A. Davis
OAA, MRAIC, Associate AIA

Gordon Lorimer
OAA, FRAIC, Associate AIA

Wendy Brawley
OAA, MRAIC, Associate AIA

Douglas Brooks
Senior Arch. Tech.

Directors

Marc Thivierge
OAA, MRAIC

Reinhard Vogel
Senior Arch. Tech.

Associates

Bryan Bonell
OAA, MRAIC, Associate AIA

William Ritcey
MRAIC

Dan Henhoeffler
Senior Arch. Tech.

Hobin Architecture Incorporated

63 Pamilla Street
Ottawa, Ontario
Canada K1S 3K7

t 613-238-7200

f 613-235-2005

hobinarc.com

Shop Drawing Submittal:

Division 26 – Access Door

Submitted by:

Drawing Title:

Cendrex Access Door Technical Data Sheet

Revision No.

N/A

Dated:

March 18, 2019

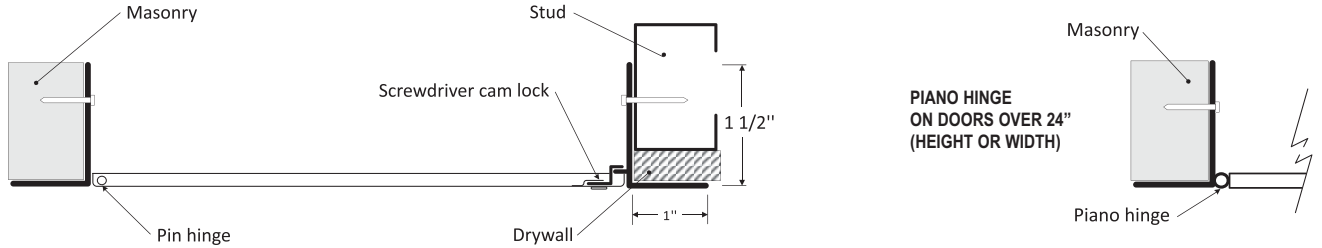
Comments:

Reviewed as noted. Paint to match ceiling.

GENERAL PURPOSE ACCESS DOOR
FOR ALL SURFACE TYPES

AHD

INSTALLATION



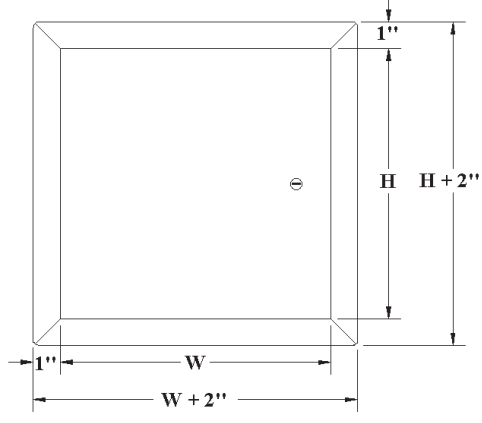
PIANO HINGE ON DOORS OVER 24" (HEIGHT OR WIDTH)

DIMENSION AND APPEARANCE

LEED ready: This product contributes to LEED® credits.

Your odd sizes: Made in 5 days

DOOR SIZE W x H inches (MM)	NUMBER OF LOCKS	WEIGHT LBS	KG
6 x 6 (152 x 152)	1	2	0.9
8 x 8 (203 x 203)	1	3	1.4
8 x 12 (203 x 304)	1	4	1.8
10 x 10 (254 x 254)	1	4	1.8
12 x 12 (304 x 304)	1	5	2.3
12 x 16 (304 x 406)	1	6.2	2.8
12 x 18 (304 x 457)	1	7	3.2
12 x 24 (304 x 609)	1	8	3.6
14 x 14 (356 x 356)	1	7	3.2
16 x 16 (406 x 406)	1	8	3.6
18 x 18 (457 x 457)	1	9	4.1
18 x 24 (457 x 609)	1	13	5.9
20 x 20 (508 x 508)	1	11	5.
22 x 22 (558 x 558)	1	13	5.9
* 22 x 30 (558 x 762)	2	17	7.7
* 22 x 36 (558 x 914)	2	19	8.6
24 x 24 (609 x 609)	1	15	6.8
* 24 x 30 (609 x 762)	2	20	9.1
* 24 x 36 (609 x 914)	2	22	10
* 24 x 48 (609 x 1219)	2	28	12.7
* 30 x 30 (762 x 762)	4	23	12.7
* 36 x 36 (914 x 914)	4	31	14.1



Rough wall opening is door size + 1/4" or + 6mm
*Piano hinge on doors over 24 inches (height or width) - The LHD model is recommended for over 36" x 36"

DESCRIPTION AND MATERIAL SPECIFICATION

Material: 16 gauge cold rolled steel
Hinge: hidden pin hinge
continuous piano type on doors over 24" (height or width)
Lock / latch: screwdriver operated cam latch
Finish: DuPont® high quality grey powder coat
Packaging: individually wrapped, 1 per box

POPULAR OPTIONS
For complete list of options go to: www.cendrex.com
Lock / latch: key operated cylinder cam latch, hex head cam latch, pinned hex head cam latch, handle operated cam latch, mortise preparation for cylinder.
Material: stainless steel 304 #4 (brushed finish)
Finish: DuPont® high quality white powder coat
Gasketing: neoprene gasket

CENDREX PARTNERS



PROJECT DATA

PROJECT NAME:	PAINTED TO MATCH CEILING	QTY	W	H	OPTIONS
ARCHITECT:					
DEALER:					
CONTRACTOR:					
LOCATION:		SPECIAL INSTRUCTIONS:			
DATE:	SUBMITTAL APPROVAL: (signature or stamp)				
TAGGING INSTRUCTIONS:					

SHOP DRAWING REVIEW

REVIEWED

REVIEWED AS NOTED

REVISE AND RESUBMIT

HOBIN ARCHITECTURE

This review is for the sole purpose of ascertaining conformance with the general design concept for architectural features only, and does not in any way constitute a review of the design of engineering elements which form part of the Contract Documents prepared by others. This review shall not mean that the Architect approves the detail design inherent in the shop drawings. This responsibility shall remain with the Contractor submitting same, and such review shall not relieve the Contractor of his responsibility for errors or omissions in the shop drawings or of his responsibility for meeting all requirements of the Contract Documents. The Contractor is responsible for dimensions to be confirmed and controlled at the job site, for information that pertains solely to fabrication processes, or to techniques of construction and installation and for co-ordination for the work of all trades.