

SHOP DRAWING TRANSMITTAL



Project: Turnbull School Project No: 1705
Music Room Addition

Date: March 25, 2019

To: TALCO Building Innovations Ltd.

Attn: Farah Bano (fbano@tal-co.com)

From: Michelle Cataldo

- | | |
|--|--|
| <input checked="" type="checkbox"/> Approval | <input type="checkbox"/> Courier |
| <input checked="" type="checkbox"/> Distribution | <input type="checkbox"/> By Hand |
| <input type="checkbox"/> Information and Use | <input type="checkbox"/> Fax |
| <input type="checkbox"/> Review and Comment | <input type="checkbox"/> To Be Picked Up |
| <input type="checkbox"/> Other | <input checked="" type="checkbox"/> e-mail |

Partners

Barry J. Hobin
OAA, FRAIC, Hon. Fellow AIA

William A. Davis
OAA, MRAIC, Associate AIA

Gordon Lorimer
OAA, FRAIC, Associate AIA

Wendy Brawley
OAA, MRAIC, Associate AIA

Douglas Brooks
Senior Arch. Tech.

Directors

Marc Thivierge
OAA, MRAIC

Reinhard Vogel
Senior Arch. Tech.

Associates

Bryan Bonell
OAA, MRAIC, Associate AIA

William Ritcey
MRAIC

Dan Henhoefffer
Senior Arch. Tech.

Hobin Architecture Incorporated

63 Pamilla Street
Ottawa, Ontario
Canada K1S 3K7

t 613-238-7200

f 613-235-2005

hobinarc.com

Shop Drawing Submittal: Division 26 – Lighting and Controls

Submitted by: WSA Light Energy Design LTD

Drawing Title: Lighting Fixtures Types B & C; Dimension Dwgs

Revision No. N/A

Dated: March 6, 2019

Comments:

Reviewed.



SHOP DRAWING REVIEW

Project Name: Turnbull School,
1132 Fisher Ave, Ottawa
Music room addition

Project No. 181-04865-00
Date 2019-03-25

Distribution: Hobin Architecture
Incorporated
63 Pamilla St,
Ottawa, ON
K1S 3K7

Reinhard Vogel
Michelle Cataldo

reinhard@hobinarc.com
mcataldo@hobinarc.com

Shop Drawing: Title: Lighting
Revision: 00
Submission No.: 003

This review by consultant is for sole purpose of ascertaining conformance with general design concept. This review does not mean that consultant approves detail design inherent in shop drawings, responsibility for which remains with contractor, and such review does not relieve contractor of responsibility for errors or omissions in shop drawings or of contractor's responsibility for meeting all requirements of contract documents. Be responsible for dimensions to be confirmed and correlated at job site, for information that pertains solely to fabrication process or to techniques of construction and installation, and for coordination of the work of subtrades.

<input checked="" type="checkbox"/> Reviewed	Mechanical Review Required <input type="checkbox"/>		Electrical Review Required <input checked="" type="checkbox"/>	
<input type="checkbox"/> Reviewed as Noted	Reviewed by:		Reviewed by:	Ken MacIntosh
<input type="checkbox"/> Revise & Resubmit	Review Date:		Review Date:	2019-03-25
Item	Comments			
1	Lighting fixtures Type 'B' and type 'C'. Dimension drawings.			

End of Review



Submittal

DATE: 03/06/2019

JOB NAME: Turnbull School Music Room

ORDER/RFA #: 96977-0

DO NOT DISCARD! THIS IS NOT A STANDARD INSTALLATION!

PLEASE READ FOR JOB-SPECIFIC INFORMATION NEEDED FOR INSTALL

FOR INSTALLATION QUESTIONS, PLEASE CONTACT TECHNICAL SUPPORT AT 888-834-5684

OR YOUR ATS MANAGER AT ATS-A498@AcuityBrands.com

DISCLAIMER THIS ARCHITECTURAL LIGHTING SUBMITTAL IS PROVIDED FOR INFORMATIONAL PURPOSES AND TO HELP THE CUSTOMER OR END USER-USER (AS APPLICABLE) UNDERSTAND HOW VARIOUS SECTIONS OF LINEAR FIXTURES CONNECT TO EACH OTHER AND HOW THEY MOUNT TO THE CEILING. THIS LIGHTING SUBMITTAL IS STRICTLY BASED ON THE INFORMATION PROVIDED TO ACUITY BRANDS, AND IS PROVIDED WITHOUT WARRANTY TO ACCURACY, COMPLETENESS, RELIABILITY OR OTHERWISE. IF THE INFORMATION (INCLUDING BUT NOT LIMITED TO FLOOR-PLANS, REFLECTED CEILING PLANS, ELECTRICAL PLANS AND SPECIFICATIONS) PROVIDED TO ACUITY BRANDS IS INCOMPLETE OR NOT CURRENT (I.E., NEWER VERSIONS EXIST), THE ACCURACY OF PROPOSED DESIGN MAY BE ADVERSELY AFFECTED. ONCE THIS LIGHTING SUBMITTAL IS RECEIVED BY THE CUSTOMER OR END-USER (AS APPLICABLE), IT IS THE OBLIGATION OF THE CUSTOMER OR END-USER (AS APPLICABLE) TO CONSULT WITH A PROFESSIONAL ENGINEERING ADVISOR TO DETERMINE WHETHER THE PROPOSED DESIGN MEETS THE APPLICABLE PROJECT REQUIREMENTS FOR LIGHTING SYSTEM PERFORMANCE, CODE COMPLIANCE, SAFETY, SUITABILITY AND EFFECTIVENESS FOR USE IN A PARTICULAR APPLICATION. IN NO EVENT WILL ACUITY BRANDS BE RESPONSIBLE FOR ANY LOSS RESULTING FROM ANY USE OF ANY INFORMATION CONTAINED IN THIS LIGHTING SUBMITTAL.

MARK
ARCHITECTURAL
LIGHTING

Job Name:
Turnbull School
Music Room

Order/RFA #:
96977-0

Drawing Type:

Submittal

Prepared For:

WSA LIGHT
ENERGY DESIGN
LTD

Revisions:

Yes

No

Date: 03/06/2019

Prepared By:

Bill Fleischer

Sheet:

Cover Sheet

Type B

Series: Slot 4 LED Direct Pendant

S4LD LLP 16FT MSL4 80CRI 35K 1000LMF MIN1 MVOLT WHT ZT F2/72A RDCY WHTCY CCRD

Specifications B

- **Series:** Slot 4 LED Direct Pendant
- **Linear Plan:** Longest length possible
- **Total Run Length:** 16ft
- **Max Section Length:** 4ft max section length
- **Direct Light Source Color Rendering:** 80CRI
- **Direct LED Color Temperature:** 3500K
- **Direct LED Light Output:** 1000 lumens per foot
- **Minimum Dimming Level:** Constant Current, 0-10V dimming to 1%
- **Voltage:** Multi-volt
- **Finish:** White
- **Control Input:** 0-10V
- **Mounting/Overall Suspension:** Hard ceiling (horizontal j-box), 72 inches adjustable
- **Canopy Form:** Round canopy
- **Canopy Color:** White canopy
- **Cord Color:** Clear cord



SHOP DRAWING REVIEW

REVIEWED

REVIEWED AS NOTED

REVISE AND RESUBMIT



"This review is for the sole purpose of ascertaining conformance with the general design concept for architectural features only, and does not in any way constitute review of the design of engineering elements which form part of the Contract Documents prepared by others. This review shall not mean that the Architect approves the detail design inherent in the shop drawings. This responsibility shall remain with the Contractor submitting same, and such review shall not relieve the Contractor of his responsibility for errors or omissions in the shop drawings or of his responsibility for meeting all requirements of the Contract Documents. The Contractor is responsible for dimensions to be confirmed and correlated at the job site, for information that pertains solely to fabrication processes, or to techniques of construction and installation and for co-ordination for the work of all trades."

By: Michelle Cataldo Date: Mar. 25, 2019

HOBIN ARCHITECTURE INCORPORATED

<input checked="" type="checkbox"/> REVIEWED	BY macintoshk
<input type="checkbox"/> REVIEWED AS NOTED	DIVISION Buildings - Sustainability
<input type="checkbox"/> REVISE & RESUBMIT	DATE 3/25/2019
	SUBMITTAL# 03
	PROJECT 181-04865-00 Turnbull school music room
<p>THE REVIEW OF THIS DRAWING DOES NOT IN ANY WAY RELIEVE THE VENDOR OR CONTRACTOR OF RESPONSIBILITY FOR ITS ACCURACY OR FOR COMPLIANCE WITH THE CONTRACT DOCUMENTS.</p>	

MARK
ARCHITECTURAL
LIGHTING

Job Name:
Turnbull School
Music Room

Order/RFA #:
96977-0

Drawing Type:

Submittal

Prepared For:

WSA LIGHT
ENERGY DESIGN
LTD

Date: 03/06/2019

Prepared By:

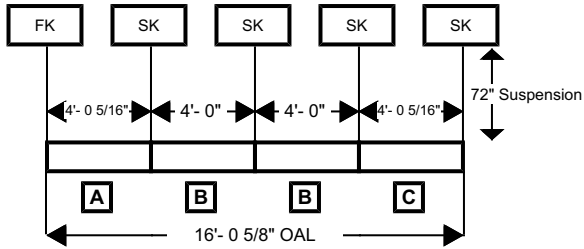
Bill Fleischer

Sheet:

Page 1

CONFIGURATIONS

FK Feed Kit **SK** Suspension Kit



Line Number: 2 Type: B Total Quantity: 3 Sections Each: 4 Overall Actual Length: 16'-0 5/8" Total Sections: 12

Bill of Materials for Ordering: B

Line Type	Qty	Brand	Product Type		Ci Code	Catalog Number
Order	3	Mark Architectu	Master			S4LD LLP 16FT MSL4 80CRI 35K 1000LMF MIN1 MVOLT WHT ZT F2/72A RDCY WHTCY CCRD
Shippable	3	Mark Architectu	Fixture Section	A		S4LDL U4 80CRI 35K 1000LMF MIN1 MVOLT WHT ZT PWRP
Shippable	6	Mark Architectu	Fixture Section	B		S4LDI U4 80CRI 35K 1000LMF MIN1 MVOLT WHT ZT
Shippable	3	Mark Architectu	Fixture Section	C	*254VFM	S4LDR U4 80CRI 35K 1000LMF MIN1 MVOLT WHT ZT
Shippable	3	Mark Architectu	Feed Kit		*253EWP	SPSW1FK F2/72A RDCY WHTCY CCRD
Shippable	12	Mark Architectu	Support Kit		*253EMC	SPSWSK F2/72A RDCY WHTCY

SHOP DRAWING REVIEW

- REVIEWED
- REVIEWED AS NOTED
- REVISE AND RESUBMIT



"This review is for the sole purpose of ascertaining conformance with the general design concept for architectural features only, and does not in any way constitute review of the design of engineering elements which form part of the Contract Documents prepared by others. This review shall not mean that the Architect approves the detail design inherent in the shop drawings. This responsibility shall remain with the Contractor submitting same, and such review shall not relieve the Contractor of his responsibility for errors or omissions in the shop drawings or of his responsibility for meeting all requirements of the Contract Documents. The Contractor is responsible for dimensions to be confirmed and correlated at the job site, for information that pertains solely to fabrication processes, or to techniques of construction and installation and for co-ordination for the work of all trades."

By: Michelle Cataldo Date: Mar. 25, 2019
 HOBIN ARCHITECTURE INCORPORATED

<input checked="" type="checkbox"/> REVIEWED <input type="checkbox"/> REVIEWED AS NOTED <input type="checkbox"/> REVISE & RESUBMIT	BY macintoshk DIVISION Buildings - Sustainability DATE 3/25/2019 SUBMITTAL# 03 PROJECT 181-04865-00 Turnbull school music room
--	--

THE REVIEW OF THIS DRAWING DOES NOT IN ANY WAY RELIEVE THE VENDOR OR CONTRACTOR OF RESPONSIBILITY FOR ITS ACCURACY OR FOR COMPLIANCE WITH THE CONTRACT DOCUMENTS.

Please Note Revisions Here:

MARK ARCHITECTURAL LIGHTING

Job Name:
Turnbull School Music Room

Order/RFA #:
96977-0

Drawing Type:

Submittal

Prepared For:

WSA LIGHT ENERGY DESIGN LTD

Date: 03/06/2019

Prepared By:

Bill Fleischer

Sheet:

Page 2

Type C

Series: Slot 4 LED Linear Recessed

SL4L LOP 4FT FLP FL 80CRI 35K 1000LMF MIN1 120 ZT

Specifications C

- **Series:** Slot 4 LED
- **Linear Plan:** Optimized length
- **Total Run Length:** 4ft
- **Fixture Style:** Flush Lens
- **Ceiling Type:** 5/8" flange (sheetrock)
- **Direct Light Source Color Rendering:** 80CRI
- **Direct LED Color Temperature:** 3500K
- **Direct LED Light Output:** 1000 lumens per foot
- **Minimum Dimming Level:** Constant Current, 0-10V dimming to 1%
- **Voltage:** 120 volt
- **Control Input:** 0-10V

SHOP DRAWING REVIEW

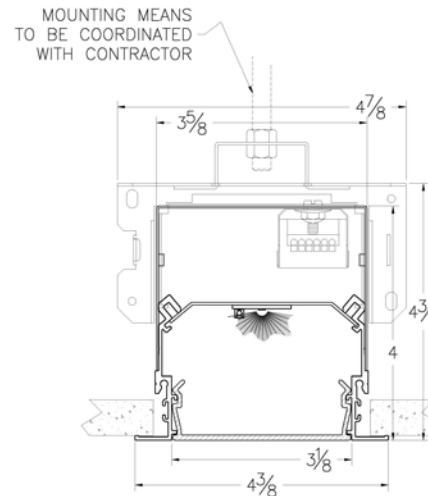
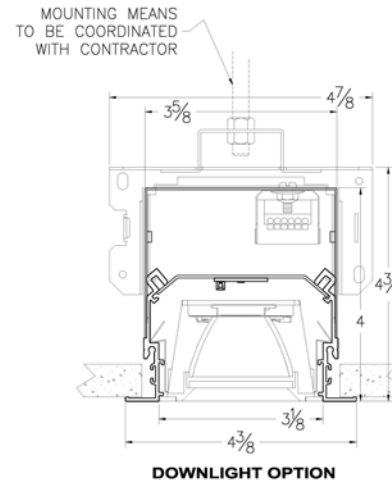
- REVIEWED
- REVIEWED AS NOTED
- REVISE AND RESUBMIT



"This review is for the sole purpose of ascertaining conformance with the general design concept for architectural features only, and does not in any way constitute review of the design of engineering elements which form part of the Contract Documents prepared by others. This review shall not mean that the Architect approves the detail design inherent in the shop drawings. This responsibility shall remain with the Contractor submitting same, and such review shall not relieve the Contractor of his responsibility for errors or omissions in the shop drawings or of his responsibility for meeting all requirements of the Contract Documents. The Contractor is responsible for dimensions to be confirmed and correlated at the job site, for information that pertains solely to fabrication processes, or to techniques of construction and installation and for co-ordination for the work of all trades."

By: Michelle Cataldo Date: Mar. 25, 2019
HOBIN ARCHITECTURE INCORPORATED

<input checked="" type="checkbox"/> REVIEWED <input type="checkbox"/> REVIEWED AS NOTED <input type="checkbox"/> REVISE & RESUBMIT	BY macintoshk DIVISION Buildings - Sustainability DATE 3/25/2019 SUBMITTAL# 03 PROJECT 181-04865-00 Turnbull school music room
THE REVIEW OF THIS DRAWING DOES NOT IN ANY WAY RELIEVE THE VENDOR OR CONTRACTOR OF RESPONSIBILITY FOR ITS ACCURACY OR FOR COMPLIANCE WITH THE CONTRACT DOCUMENTS.	



MARK
ARCHITECTURAL
LIGHTING

Job Name:
Turnbull School
Music Room

Order/RFA #:
96977-0

Drawing Type:

Submittal

Prepared For:

WSA LIGHT
ENERGY DESIGN
LTD

Date: 03/06/2019

Prepared By:

Bill Fleischer

Sheet:

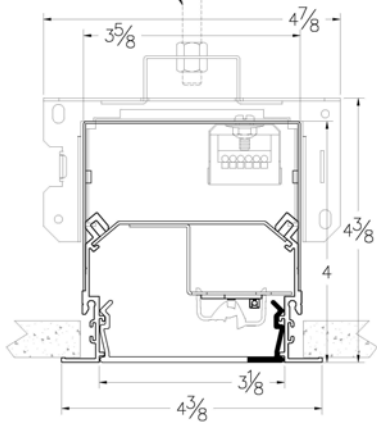
Page 3

Type C

Series: Slot 4 LED Linear Recessed

SL4L LOP 4FT FLP FL 80CRI 35K 1000LMF MIN1 120 ZT

MOUNTING MEANS
TO BE COORDINATED
WITH CONTRACTOR



SHOP DRAWING REVIEW

REVIEWED

REVIEWED AS NOTED

REVISE AND RESUBMIT

"This review is for the sole purpose of ascertaining conformance with the general design concept for architectural features only, and does not in any way constitute review of the design of engineering elements which form part of the Contract Documents prepared by others. This review shall not mean that the Architect approves the detail design inherent in the shop drawings. This responsibility shall remain with the Contractor submitting same, and such review shall not relieve the Contractor of his responsibility for errors or omissions in the shop drawings or of his responsibility for meeting all requirements of the Contract Documents. The Contractor is responsible for dimensions to be confirmed and correlated at the job site, for information that pertains solely to fabrication processes, or to techniques of construction and installation and for co-ordination for the work of all trades."

By:

Date:

<input checked="" type="checkbox"/> REVIEWED	BY macintoshk
<input type="checkbox"/> REVIEWED AS NOTED	DIVISION Buildings - Sustainability
<input type="checkbox"/> REVISE & RESUBMIT	DATE 3/25/2019
	SUBMITTAL# 03
	PROJECT 181-04865-00 Turnbull school music room
THE REVIEW OF THIS DRAWING DOES NOT IN ANY WAY RELIEVE THE VENDOR OR CONTRACTOR OF RESPONSIBILITY FOR ITS ACCURACY OR FOR COMPLIANCE WITH THE CONTRACT DOCUMENTS.	

MARK
ARCHITECTURAL
LIGHTING

Job Name:

Turnbull School
Music Room

Order/RFA #:

96977-0

Drawing Type:

Submittal

Prepared For:

WSA LIGHT
ENERGY DESIGN
LTD

Date: 03/06/2019

Prepared By:

Bill Fleischer

Sheet:

Page 4