



American Standard Plumbing Fixtures - Style That Works Better

This page was printed from <http://americanstandard.ca>



Product Information

Selectronic Integrated Faucets with Mixing

This page was printed from <http://americanstandard-ca.com>

MODEL #: 7055205, 7056205, 705P400 | COLLECTION: SELECTRONIC



Description

- Dual water supply for hot & cold water
- Includes above-deck ceramic disc mixing valve with removable handle
- 0.4 gpm/1.9L Pressure Compensating VR Non-Aerated Spray

Features and Innovations

- Water Efficient

MSRP: \$804 - \$870

[Find Purchase Options from Our Dealer Locator](#)

[WHERE TO BUY](#)

Model Numbers

Main Fixtures

- **7055205** - Selectronic Integrated Faucet with Mixing
Estimated List Price: \$804
- DC Powered
- 0.4gpm/1.9L
- **7056205** - Selectronic Integrated Faucet with Mixing
Estimated List Price: \$870
- Plug-in AC powered
- 0.4gpm/1.9L

Optional Components

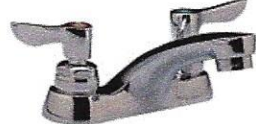
- **705P400** - 4" Deck Plate, forged Brass
Estimated List Price: \$53



Videos



More Commercial Faucets





YORKVILLE™ RIGHT HEIGHT® ELONGATED PRESSURE-ASSISTED TOILET 1.6 gpf / 6.0 Lpf

VITREOUS CHINA



YORKVILLE™ RIGHT HEIGHT® ELONGATED PRESSURE-ASSISTED TOILET 1.6 gpf / 6.0 Lpf

2878.016

- Vitreous china
- **Floor-mounted, back-outlet toilet**
- Low-consumption (1.6 gpf/6.0 Lpf)
- EverClean® surface inhibits the growth of stain- and odor-causing bacteria, mold, and mildew on the surface
- Elongated 16-1/2" high bowl rim for accessible applications
- Pressure-assisted siphon jet flush action
- Fully-glazed 2-1/8" trapway
- 10 x 12" water surface area
- Close-coupled Flushometer tank*
- Metal chrome trip lever
- Speed Connect® tank/bowl coupling system
- Sanitary dam on bowl
- 4 bolt caps
- 100% factory flush tested

3703.016 Elongated 16-1/2" high bowl with 4 bolt caps

3703.001 Same as above, Universal Bowl

4142.016 Flushometer tank complete with coupling components

Nominal Dimensions:

752 x 516 x 780mm
(29-3/4" x 20-1/2" x 30-3/4")

Fixture only, seat and supply by others

Recommended working pressure range
25 psi - 80 psi

Alternate Configurations Available:

- 4142.600 Tank and tank cover only with tank cover locking device
- 4142.800 Tank and tank cover only with right hand trip lever
- 4142.900 Tank complete with right hand trip lever and tank cover locking device

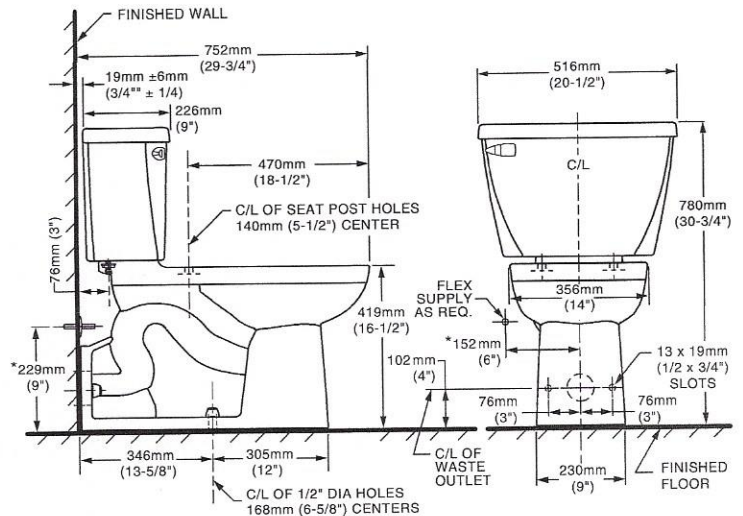
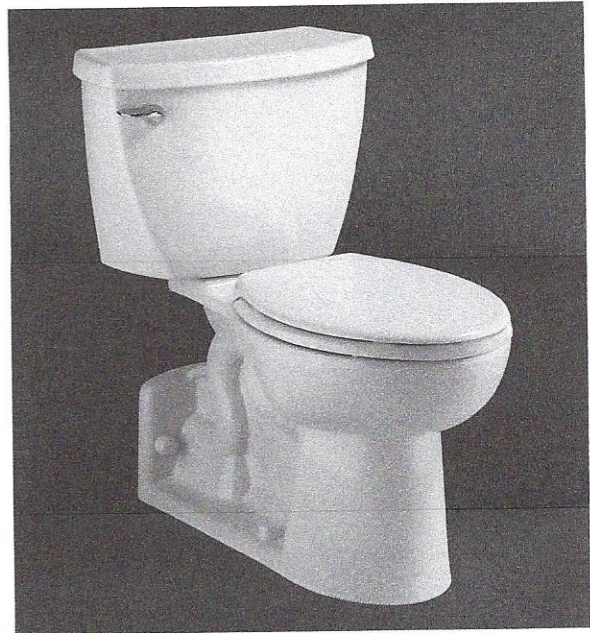
Compliance Certifications -

Meets or Exceeds the Following Specifications:

- ASME A112.19.2-2008 / CSA B45.1-08 for Vitreous China Fixtures

To Be Specified:

- Color: White Bone Linen
- Seat: American Standard #5901.100.020
- Supply with Stop:



NOTES:

WASTE OUTLET SEAL RING MUST BE NEOPRENE OR GRAPHITE-FELT (WAX RING NOT RECOMMENDED).

SUPPLY NOT INCLUDED WITH FIXTURE AND MUST BE ORDERED SEPARATELY.

DISTANCE FROM FLOOR TO CLOSET FLANGE CENTERLINE (ROUGH-IN) MUST BE 4" (102 MM) WITH FLANGE SURFACE FLUSH TO 1/16" (1.5MM) MAX. BEYOND FINISHED WALL.

* DIMENSION SHOWN FOR LOCATION OF SUPPLY IS SUGGESTED. FOR ADDITIONAL INFORMATION REFER TO INSTALLATION INSTRUCTIONS SUPPLIED.

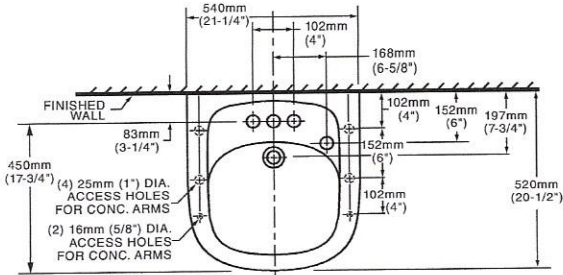
IMPORTANT: Dimensions of fixtures are nominal and may vary within the range of tolerances established by ASME A112.19.2-2008 / CSH B45.1-08. These measurements are subject to change or cancellation. No responsibility is assumed for use of superseded or voided pages.



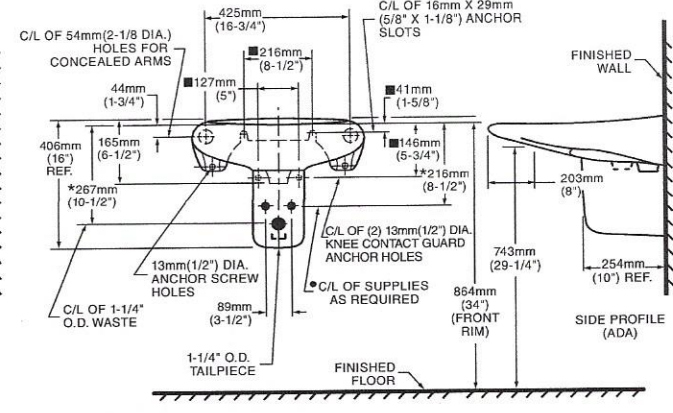
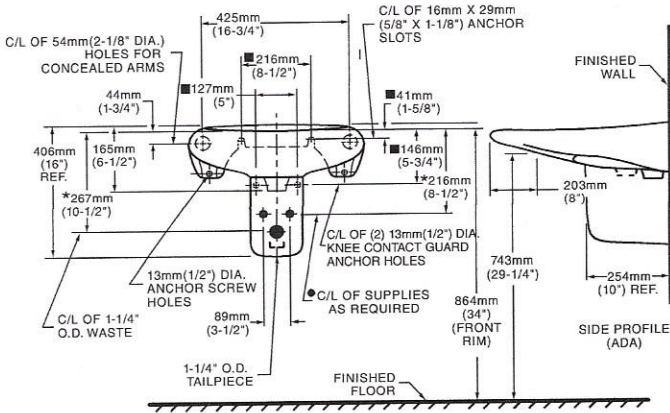
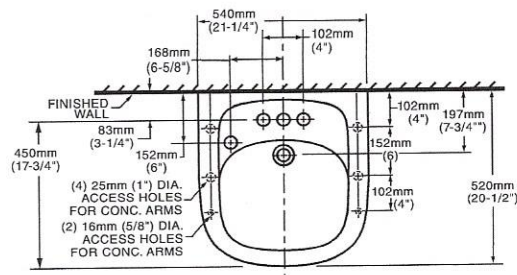
MEETS THE AMERICANS WITH DISABILITIES ACT GUIDELINES AND ANSI A117.1 REQUIREMENTS FOR ACCESSIBLE AND USABLE BUILDING FACILITIES - CHECK LOCAL CODES.



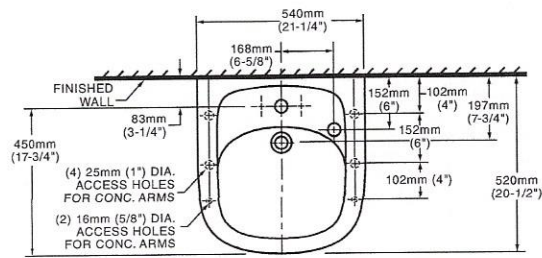
0954 123EC 4" (102mm) Ctrs Extra Right Hand Hole



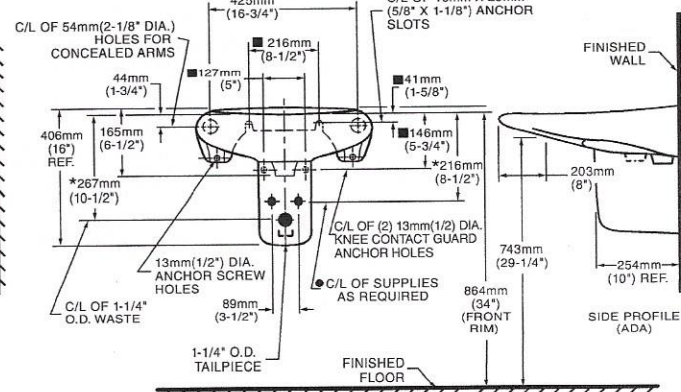
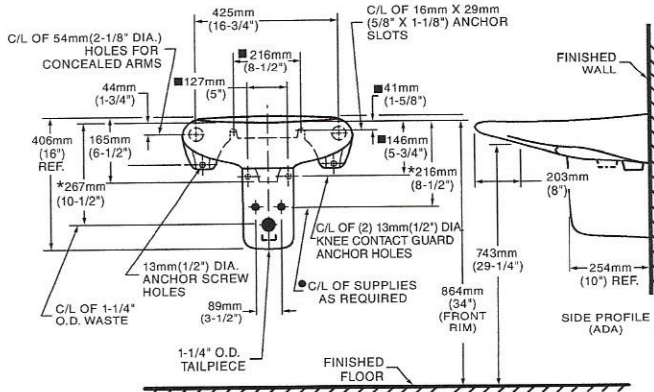
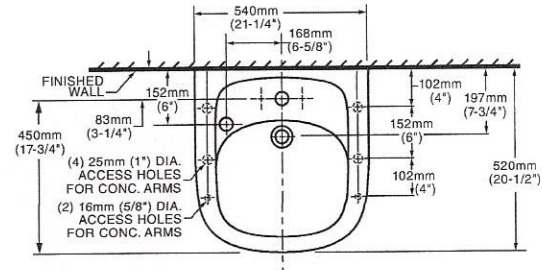
0954 121EC 4" (102mm) Ctrs Extra Left Hand Hole

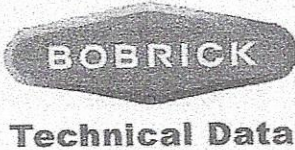


0955 123EC Centre Hole With Extra Right Hand Hole



0955 121EC Centre Hole With Extra Left Hand Hole

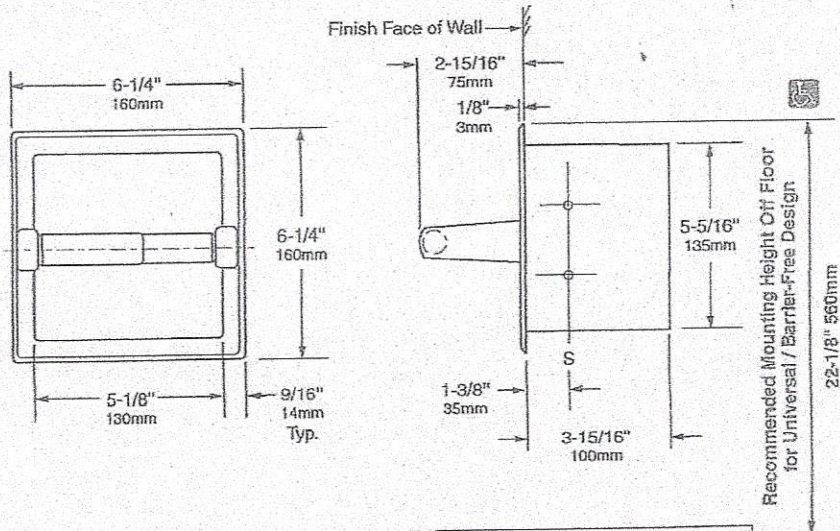
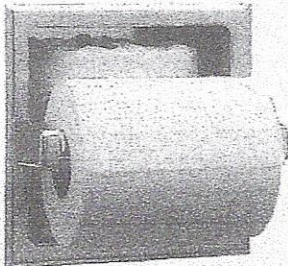




RECESSED TOILET TISSUE DISPENSER WITH STORAGE SPACE FOR EXTRA ROLL

B-663 B-6637

Specify Model Required: Model B-663 Bright polished stainless steel
 Model B-6637 Satin-finish stainless steel



Rough Opening
 5-1/2" (140mm) wide
 5-1/2" (140mm) high
 4" (100mm) minimum recessed depth

MATERIALS:

Flange — 18-8 S, type-304, 22-gauge (0.8mm) stainless steel. Drawn, one-piece, seamless construction.

Cabinet — 18-8 S, type-304, 22-gauge (0.8mm) stainless steel. All-welded construction.

Support Posts (2) — Heavy-duty cast zamak with chrome-plated finish.

Spindle — Chrome-plated plastic equipped with heavy-duty internal spring.

Designer's Note: Theft-resistant toilet tissue spindle, which is removable only with special key provided, is available as an optional accessory. To specify, add suffix .60 to model number. Example: B-663.60.

INSTALLATION:

Provide framed rough wall opening 5-1/2" wide x 5-1/2" high (140 x 140mm). Minimum recessed depth required to finish face of wall is 4" (100mm). Allow clearance for construction features that may protrude into rough wall opening from opposite wall. Coordinate with mechanical engineer to avoid pipes, vents, and conduits. If unit projects above top of wainscot, then provide aluminum channel or other filler to eliminate gap between flange and finish face of wall. Mount cabinet with shims between framing and cabinet at all points indicated by an S, then secure unit with screws furnished by manufacturer.

SPECIFICATION:

Recessed toilet paper holder shall be type-304 stainless steel with _____ (insert one; bright polished or satin) finish. Flange shall be drawn, one-piece seamless construction. *Spindle shall be chrome-plated plastic with a heavy-duty internal spring. Manufacturer's service and parts manual shall be provided to the building owner/manager upon request.

*To specify theft-resistant spindle as an optional accessory, add to specification: Theft-resistant toilet tissue spindle shall be removable only with special key provided.

Recessed Stainless Steel Toilet Paper Holder shall be Model _____ (insert model number) of Bobrick Washroom Equipment, Inc., Clifton Park, New York; Jackson, Tennessee; Los Angeles, California; Bobrick Washroom Equipment Company, Scarborough, Ontario; Bobrick Washroom Equipment Pty. Ltd., Australia; and Bobrick Washroom Equipment Limited, United Kingdom.

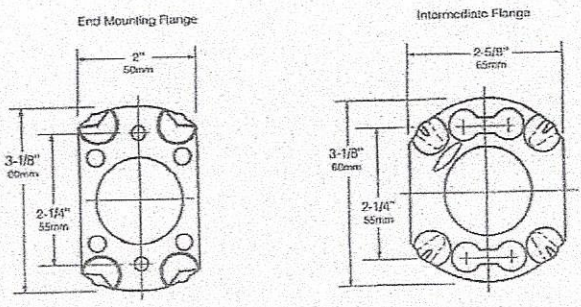
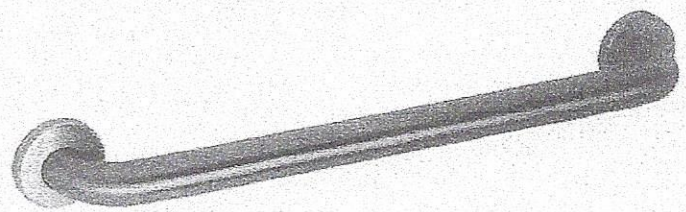
The illustrations and descriptions herein are applicable to production as of the date of this Technical Data Sheet. The manufacturer reserves the right to, and does from time to time, make changes and improvements in designs and dimensions.



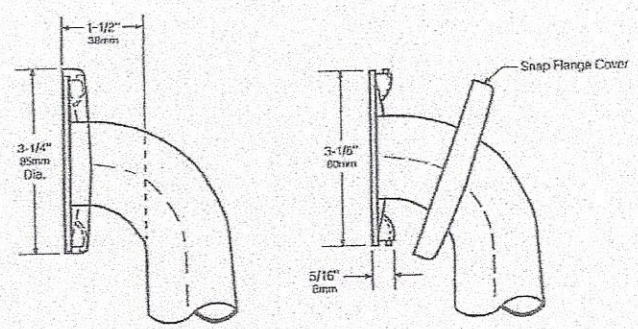
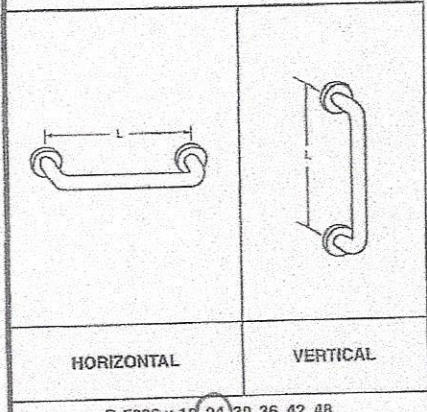
**1 1/4" (32mm) DIAMETER
STAINLESS STEEL GRAB BARS
WITH SNAP FLANGE**

**B-5806
SERIES**

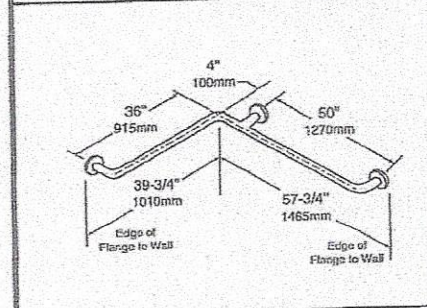
Specify Finish Required: Satin finish
 Satin finish with peened gripping surface; add suffix .99 to model number



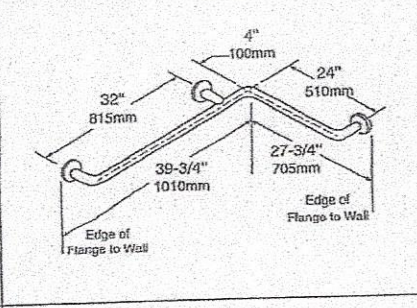
Bobrick



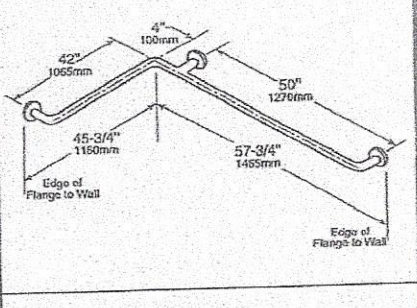
B-5806 x 18, 24, 30, 36, 42, 48



**TWO-WALL
TUB / SHOWER / TOILET
COMPARTMENT BAR**
B-5837



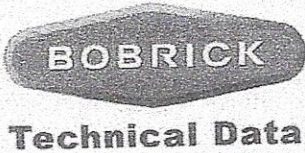
**HORIZONTAL
TUB / SHOWER / TOILET
COMPARTMENT BAR 24 x 36**
B-58616



**TWO-WALL
TOILET COMPARTMENT BAR 42 x 54**
B-5897

continued ...

The illustrations and descriptions herein are applicable to production as of the date of this Technical Data Sheet. The manufacturer reserves the right to, and does from time to time, make changes and improvements in designs and dimensions.



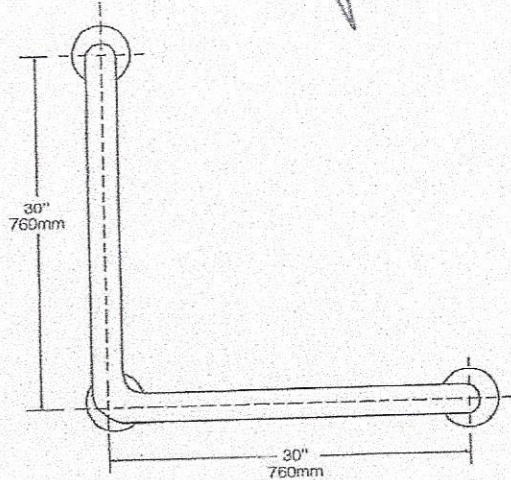
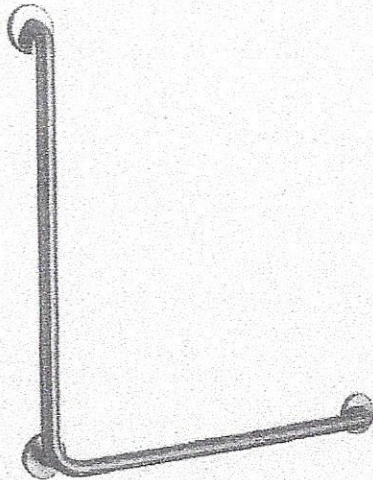
**1 1/4" (32mm) DIAMETER
STAINLESS STEEL
30" x 30" (762 x 762mm)
90-DEGREE GRAB BAR**

**B-5898
B-5898.99**

Specify Finish Required:

- Satin finish
- Satin finish with peened gripping surface; add suffix .99 to model number

[Handwritten signature]



MATERIALS:

Grab Bar — 18-8, type-304, 18-gauge (1.2mm) stainless steel tubing with satin-finish. 1-1/4" (32mm) outside diameter. Ends are heliarc welded to concealed mounting flanges. Clearance between the grab bar and wall is 1-1/2" (38mm).

Concealed Mounting Flanges — 18-8, type-304, 1/8" (3mm) thick, stainless steel plate; end flanges 2" x 3-1/8" (50 x 80mm) with two holes for attachment to wall. Intermediate flanges 2-5/8" x 3-1/8" (65 x 80mm) wide x 3-1/8" (80mm) diameter.

Snap Flange Covers — 18-8, type-304, 22-gauge (0.8mm) drawn stainless steel with satin-finish. 3-1/4" (85mm) diameter x 5/8" (16mm) deep. Each cover snaps over mounting flange to conceal mounting screws.

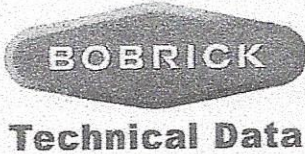
STRENGTH:

Bobrick grab bars that provide 1-1/2" (38mm) clearance from wall can support loads in excess of 900 pounds (408kg) if properly installed. Other grab bar configurations can support loads in excess of 250 pounds (113kg) if properly installed, complying with accessible design (including ADAAG in the U.S.A.) for structural strength.

Safety Warning: Grab bars are no stronger than the anchors and walls to which they are attached and, therefore, must be firmly secured in order to support the loads for which they are intended. To avoid potential injury, the building owner or maintenance personnel should remove the grab bar from service if the grab bar is not adequately secured to wall or if there is any observed damage to the welds.

continued . . .

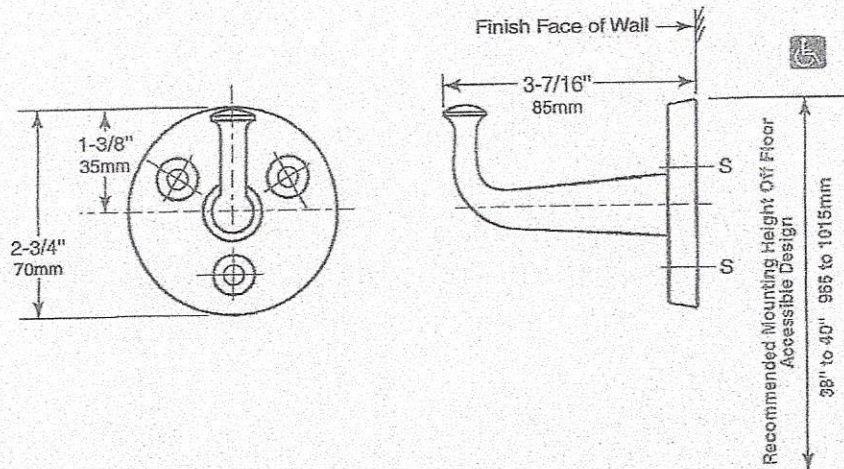
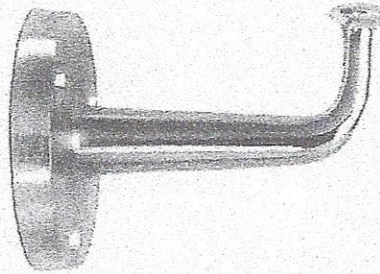
The illustrations and descriptions herein are applicable to production as of the date of this Technical Data Sheet. The manufacturer reserves the right to, and does from time to time, make changes and improvements in designs and dimensions.



HEAVY-DUTY CLOTHES HOOK

with Exposed Mounting

B-211



MATERIALS:

Hook and Flange — One-piece brass casting with satin nickel-plated finish. Withstands 300-lb (136-kg) downward pull if properly installed.

INSTALLATION:

Mount unit on wall with three sheet-metal screws, furnished by manufacturer, at points indicated by an S. For plaster or dry wall construction, provide concealed backing to comply with local building codes, then secure hook with screws furnished. For other wall surfaces, provide fiber plugs or expansion shields for use with screws furnished, or provide toggle bolts or expansion bolts.

SPECIFICATION:

Heavy-duty robe hook shall be one-piece brass casting with satin nickel-plated finish. Hook shall withstand 300-lb (136-kg) downward pull when properly installed.

Heavy-Duty Robe Hook shall be Model B-211 of Bobrick Washroom Equipment, Inc., Clifton Park, New York; Jackson, Tennessee; Los Angeles, California; Bobrick Washroom Equipment Company, Scarborough, Ontario; Bobrick Washroom Equipment Pty. Ltd., Australia; and Bobrick Washroom Equipment Limited, United Kingdom.