

TAL-CO BLDG. INNOVATIONS

General Contractor

A-4728 Bank Street
Ottawa, ON K1T 3W7
Tel: (613) 821-3959
Fax: (613) 821-2938

HOBIN ARCHITECTURE INC.

Architect

63 Pamilla Street
Ottawa, ON K1S 3K7
Tel: (613) 238-7200
Fax: (613) 235-2005

DRAWING LIST

DRAWING NO.	CONTENT
1 OF 6	TITLE SHEET
2 OF 6	GENERAL NOTES & PLAN
3 OF 6	ELEVATIONS
4 OF 6	SECTION DETAILS
5-6 OF 6	PLAN DETAILS

No.	DATE	REVISION	BY
0.	06/27/19	SUBMISSION #1 FOR REVIEW	MW

THE MERIDIAN COMMUNITY BUILDING REBUILD

SHOP DRAWINGS

A-4728 BANK STREET, OTTAWA, K1T 3W7
NCG-433

SHOP DRAWING REVIEW

- REVIEWED
- REVIEWED AS NOTED
- REVISE AND RESUBMIT



"This review is for the sole purpose of ascertaining conformance with the general design concept for architectural features only, and does not in any way constitute review of the design of engineering elements which form part of the Contract Documents prepared by others. This review shall not mean that the Architect approves the detail design inherent in the shop drawings. This responsibility shall remain with the Contractor submitting same, and such review shall not relieve the Contractor of his responsibility for errors or omissions in the shop drawings or of his responsibility for meeting all requirements of the Contract Documents. The Contractor is responsible for dimensions to be confirmed and correlated at the job site, for information that pertains solely to fabrication processes, or to techniques of construction and installation and for co-ordination for the work of all trades."

By: Bryan Bonell Date: July 8, 2019
HOBIN ARCHITECTURE INCORPORATED

NCG National Contract Glazing Ltd.

419 INDUSTRIAL AVE.
OTTAWA, ONTARIO
K1G 0Z1

TEL: (613) 731-2522
FAX: (613) 731-6971

Updated review by TAL-CO (FB) on July 8th, 2019.
Reviewed as noted by TAL-CO (FB) on July 2nd, 2019.



GENERAL NOTES:

ALL DIMENSIONS TO BE FIELD VERIFIED AND COORDINATED WITH THE CONTRACTOR PRIOR TO SHOP FABRICATION.

1- EXTERIOR FRAMING:

TO BE KAWNEER TRIFAB 451UT SERIES FRAMING SYSTEM.
FINISH TO BE ~~CLEAR ANODIZED~~
MULLION SIZE TO BE 50.8mm x 114.9mm (2" x 4 1/2").

Hobin to confirm if 451T Series stock item is acceptable to avoid long lead times.

4 - DOORS:

TO BE KAWNEER INSULCLAD 560 DOORS.
FINISH TO BE ~~CLEAR ANODIZED~~
- HARDWARE SUPPLIED BY OTHERS, INSTALLED BY NCG

White Duranar finish.

TRIBAB 451T IS ACCEPTABLE ONLY IF IN WHITE FINISH (INSIDE AND OUTSIDE, DOOR AND FRAME) HOBIN ARCHITECTURE

7 - GLAZING:

NOTE: PLEASE VERIFY ALL APPROVED GLASS SAMPLES FOR DESCRIPTION.

GL-1: VISION GLAZING
25mm O/A THICK S.U.
- 6mm CLEAR TEMPERED C/W SOLARBAN 67 LOW E ON SURFACE #2,
- 13.5mm BLACK SPACER, ARGON FILLED
- 6mm CLEAR TEMPERED

8- SEALANTS:

EXPOSED PERIMETER SEALANT TO BE DOW CORNING CWS CONTRACTORS WEATHER SEALANT. COLOUR TO MATCH ALUMINUM FRAME. **WHITE**

THIS PRODUCT DOES NOT APPEAR TO MEET SPECIFICATIONS

10- BREAKSHAPED FLASHINGS & PANELS:

TO BE 1.5mm TH. ALUMINUM UNLESS INDICATED OTHERWISE. COLOUR TO MATCH ALUMINUM FRAME.

11- NOT INCLUDED BY NCG:

- FINAL CLEANING

ALUMINUM DOOR SCHEDULE										
ITEM#	DOOR#	FRAME#	DOOR OPENING			INSULATED	HAND	GLASS TYPE	HARDWARE SET	REMARKS
			WIDTH	x	HEIGHT					
1	109.2	D1	1070mm	x	2134mm	YES	LHR	GL-1		ENTRANCE DOOR
2	114.2	D2	1070mm	x	2134mm	YES	RHR	GL-1		ENTRANCE DOOR

LHR- LEFT HAND REVERSE		LH- LEFT HAND	
RHR- RIGHT HAND REVERSE		RH- RIGHT HAND	
PO- PAIR OUT		PI- PAIR IN	

DOOR HARDWARE:

HARDWARE SUPPLIED BY OTHERS, INSTALLED BY NCG

DOOR #109.2:

- 1 - CONTINUOUS HINGE SL11-HD
- 1 - DEADBOLT MS1852S-4 38.1mm BACKSET
- 1 - 4001-012 STRIKE
- 2 - MEDECO 10W0200 CYLINDER
- 1 - CYLINDER GUARD MS4043
- 1 - 3012-2 DOOR PULL + 6000-2 PUSH BAR
- 1 - DOOR CLOSER 4020 TJ x AVB ST-2997
- 1 - ADAPTER PLATE 4020-18G
- 1 - O/H STOP GJ 105S x 95 DEGREE
- THERMALLY BROKEN THRESHOLD
- DOOR SWEEP
- WEATHER STRIPPING

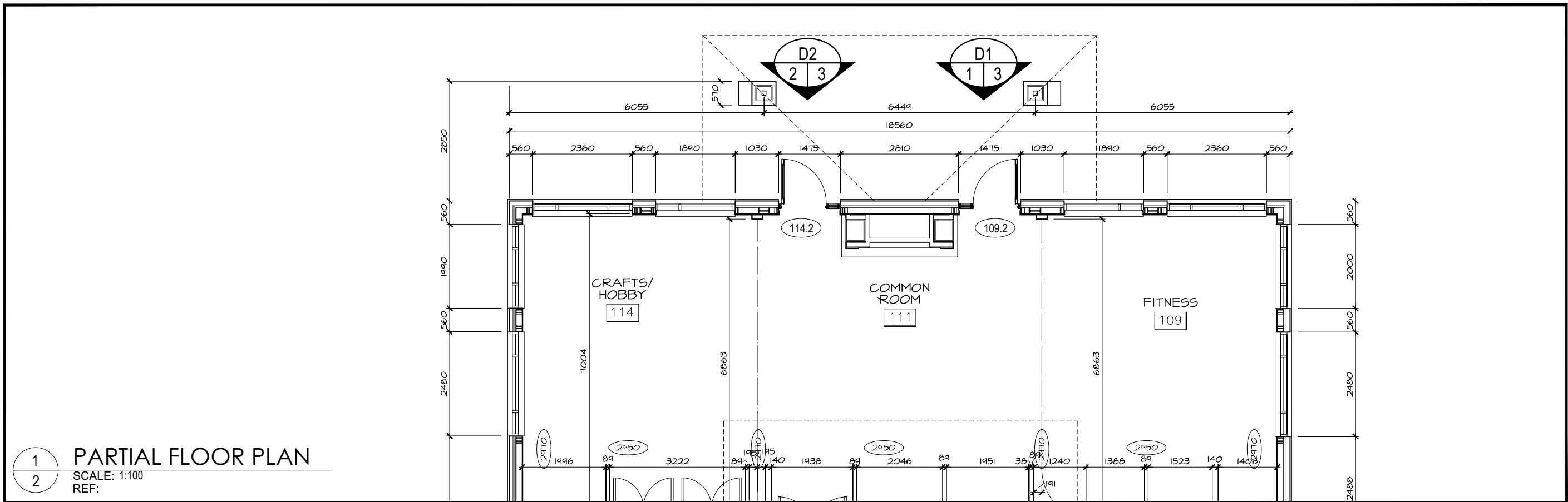
DOOR #114.2:

- 1 - CONTINUOUS HINGE SL11-HD
- 1 - DEADBOLT MS1852S-4 38.1mm BACKSET
- 1 - 4001-012 STRIKE
- 2 - MEDECO 10W0200 CYLINDER
- 1 - CYLINDER GUARD MS4043
- 1 - 3012-2 DOOR PULL + 6000-2 PUSH BAR
- 1 - DOOR OPENER HA-8-LP (PUSH SIDE MTG)
- 2 - ACTUATOR CM-60/2
- 2 - ESCUTCHEON CM-69S
- 1 - WEATHER GASKET WR
- 1 - O/H STOP GJ 105S x 95 DEGREE
- THERMALLY BROKEN THRESHOLD
- DOOR SWEEP
- WEATHER STRIPPING

NOTED AS BY DOOR & FRAME SUPPLIER IN SPECIFICATION

Dimensions are good.

TAL-CO to confirm rough opening size on site.



1 PARTIAL FLOOR PLAN
SCALE: 1:100
REF:

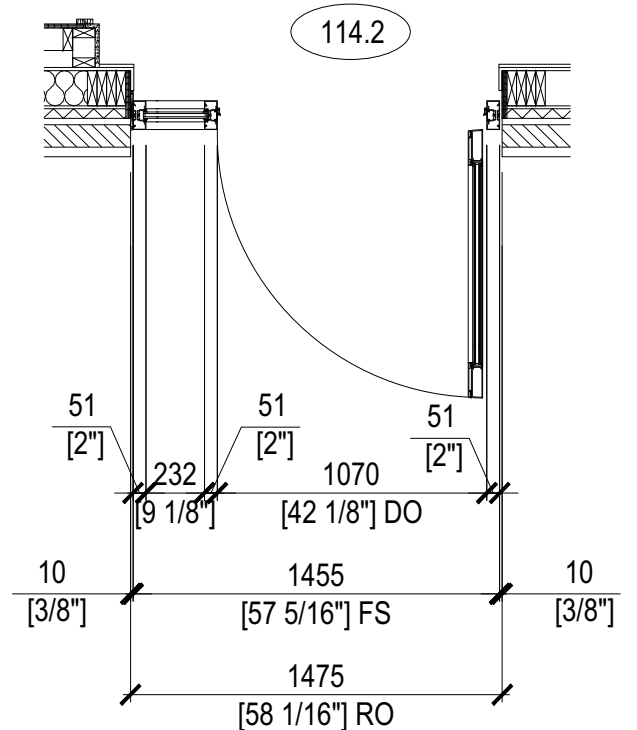
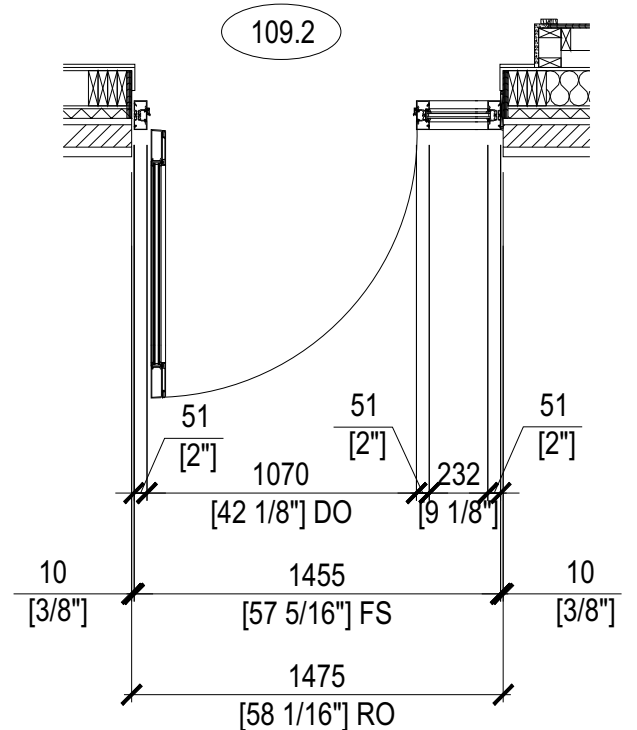
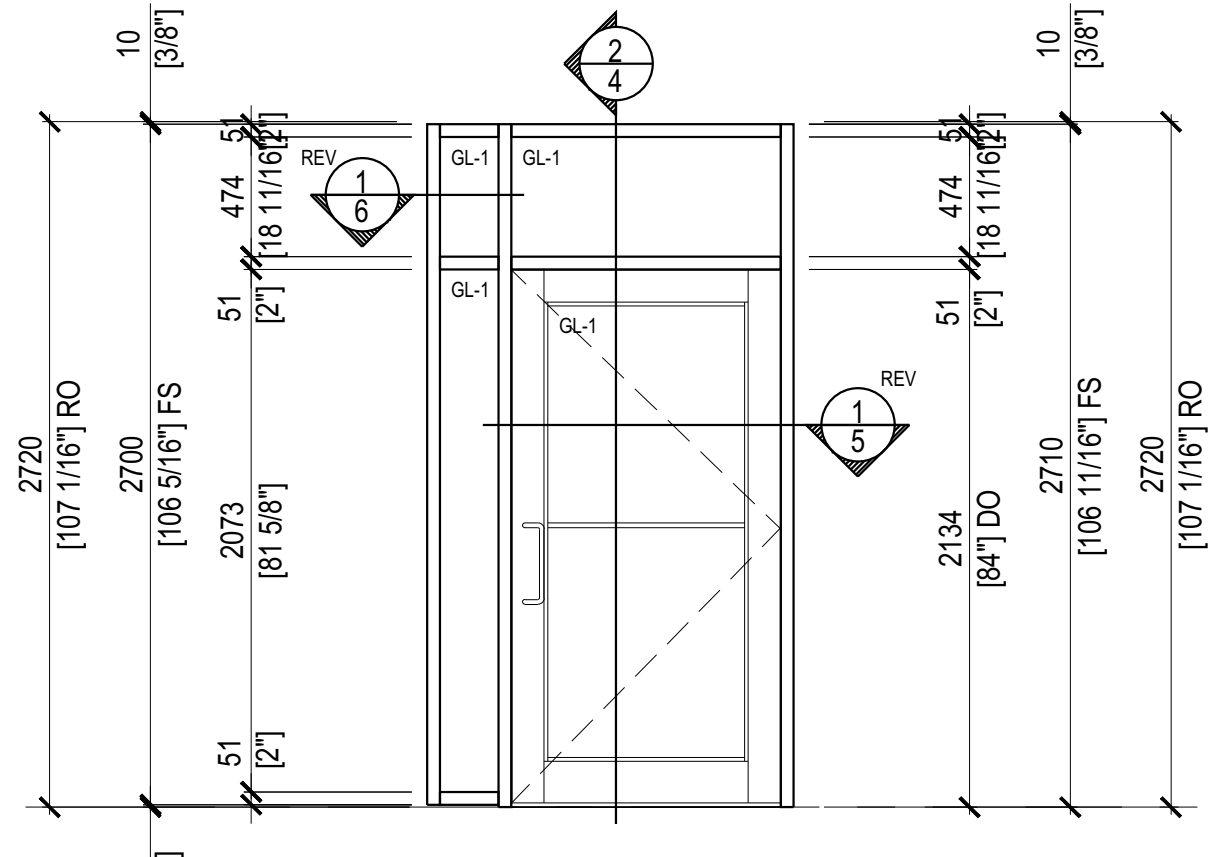
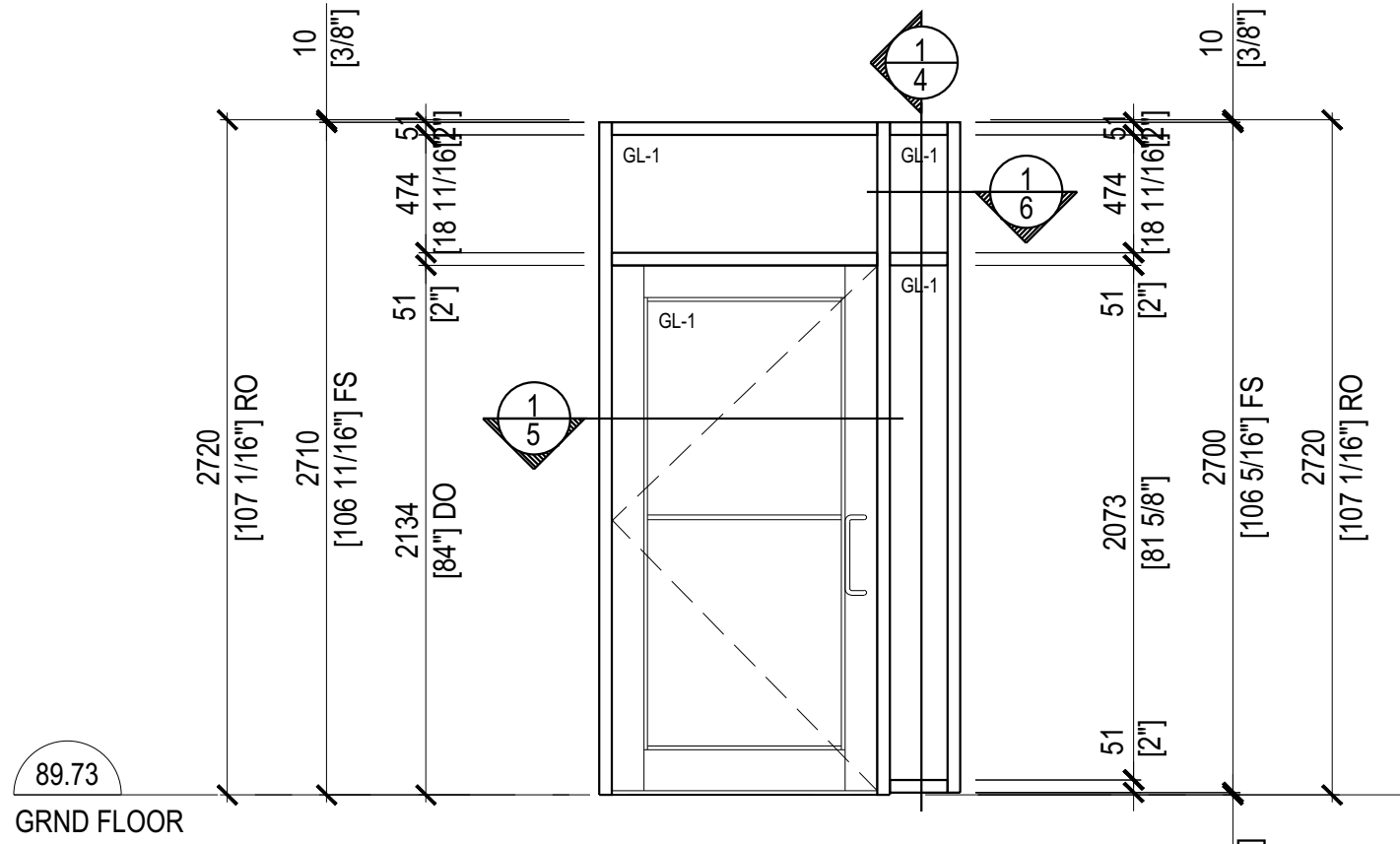
JOB NO. NCG-433	DRAWN BY: MW	SCALE: 1:2	DRAWING NO. 2 OF 6
DWG TITLE: GENERAL NOTES			
PROJECT: THE MERIDIAN COMMUNITY BUILDING REBUILD			
ARCHITECT: HOBIN ARCHITECTURE INC.			
CONTRACTOR: TAL-CO BLDG. INNOVATIONS			
LOCATION: A-4728 BANK STREET, OTTAWA, ON			
DATE: JUNE 27, 2019			

THIS DRAWING IS THE SOLE PROPERTY OF NATIONAL CONTRACT GLAZING LTD. REPRODUCTION IS NOT PERMITTED WITHOUT WRITTEN APPROVAL OF NATIONAL CONTRACT GLAZING LTD.

NCG National Contract Glazing Ltd.

419 INDUSTRIAL AVE.
OTTAWA, ONTARIO
K1G 0Z1

TEL: (613) 731-2522
FAX: (613) 731-6971



1 ENTRANCE 'D1'
 3 SCALE: 1:30 MULLION DEPTH: 51mm x 114mm
 ARCH. REF:

2 ENTRANCE 'D2'
 3 SCALE: 1:30 MULLION DEPTH: 51mm x 114mm
 ARCH. REF:

SITE VERIFY ROUGH OPENING

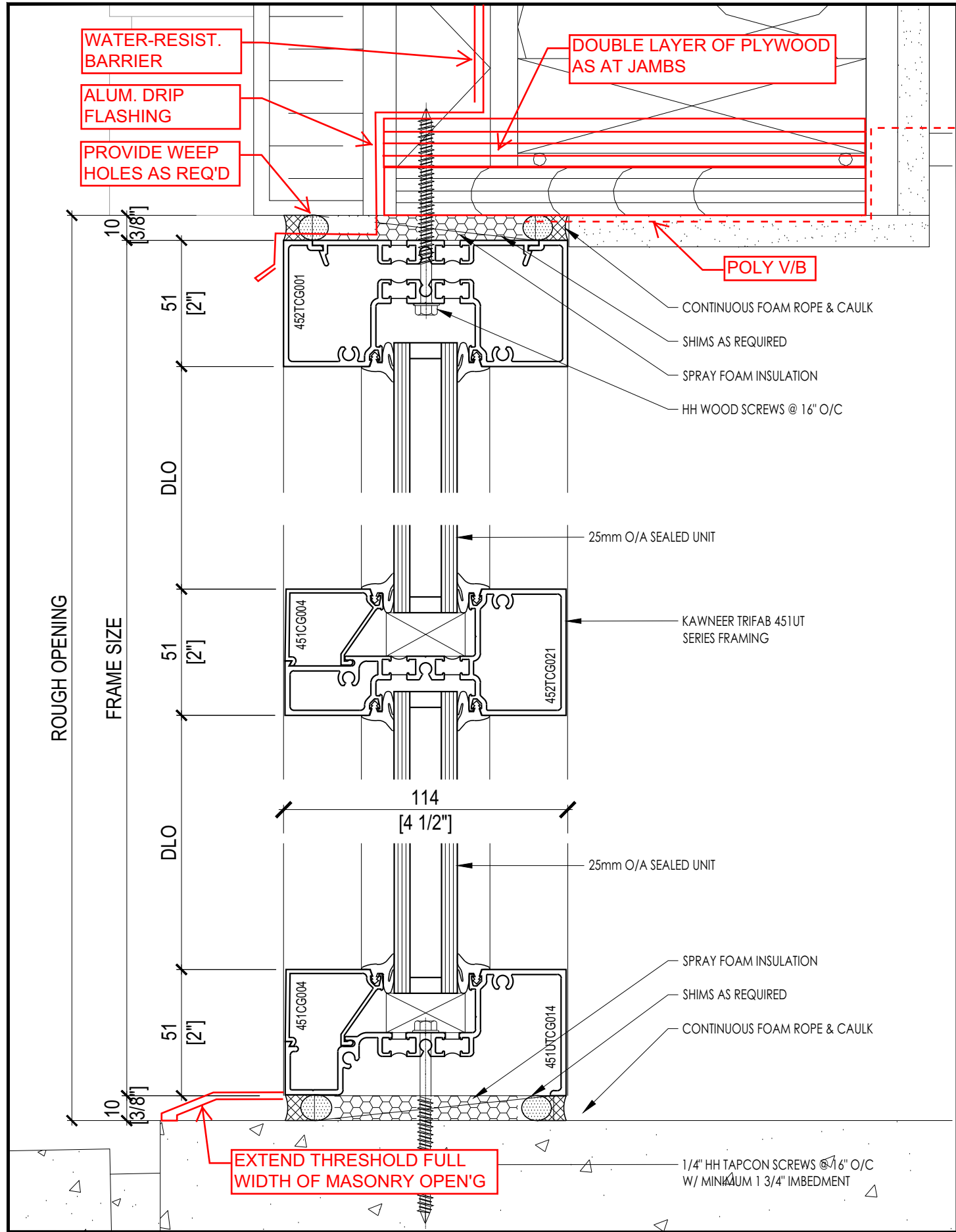
SITE VERIFY ROUGH OPENING

JOB NO. NCG-433
 DRAWN BY: MW
 SCALE: 1:2
 DRAWING NO. 3 OF 6

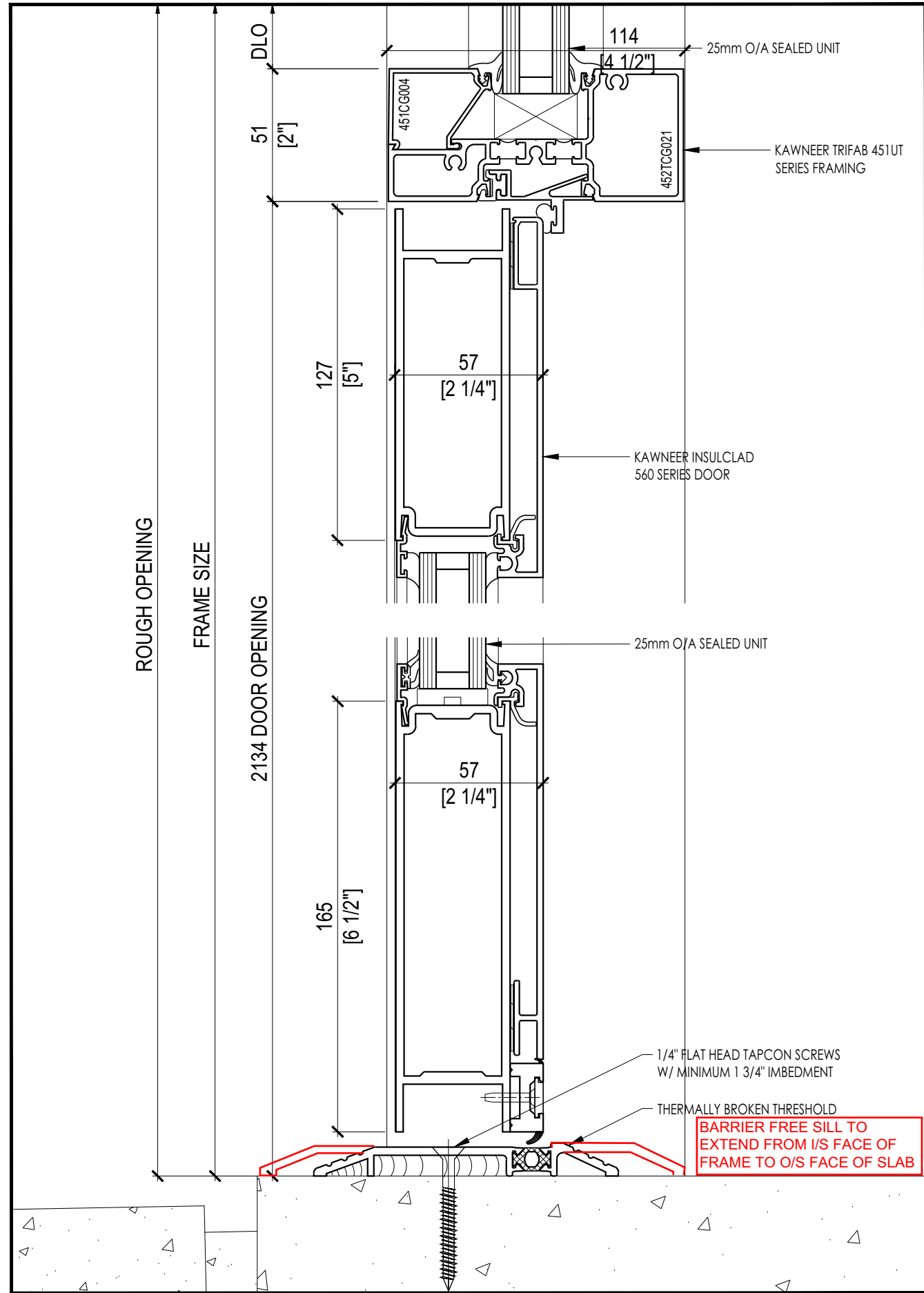
DWG TITLE: ELEVATIONS
 PROJECT: THE MERIDIAN COMMUNITY BUILDING REBUILD
 ARCHITECT: HOBIN ARCHITECTURE INC.
 CONTRACTOR: TAL-CO BLDG. INNOVATIONS
 LOCATION: A-4728 BANK STREET, OTTAWA, ON
 DATE: JUNE 27, 2019 REF:

THIS DRAWING IS THE SOLE PROPERTY OF NATIONAL CONTRACT GLAZING LTD.
 REPRODUCTION IS NOT PERMITTED WITHOUT WRITTEN APPROVAL OF NATIONAL CONTRACT GLAZING LTD.

NCG National Contract Glazing Ltd.
 419 INDUSTRIAL AVE.
 OTTAWA, ONTARIO
 K1G 0Z1
 TEL.: (613) 731-2522
 FAX: (613) 731-6971

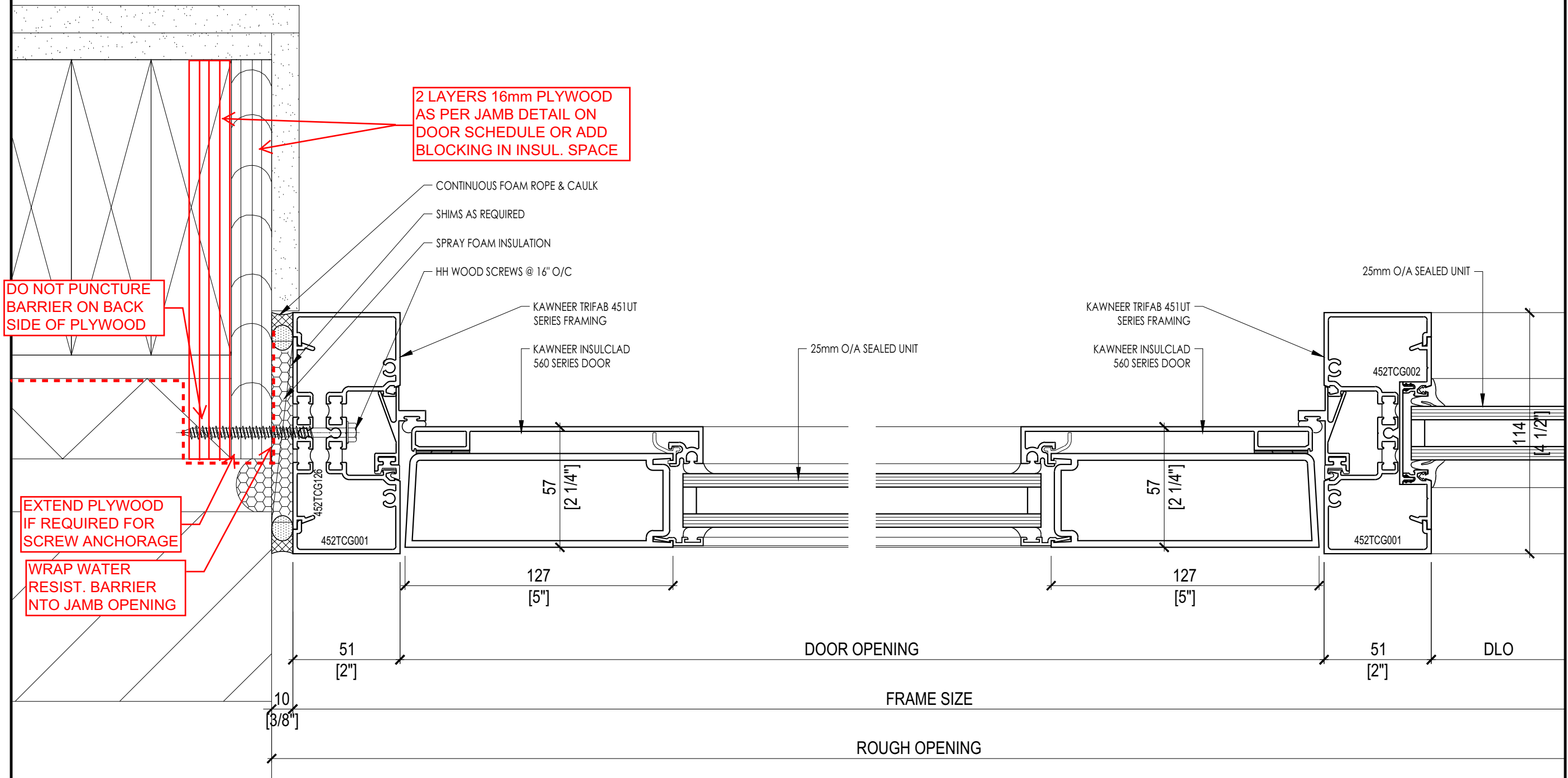


1 SECTION DETAILS
SCALE: 1:2
REF:



2 SECTION DETAILS @ DOOR
SCALE: 1:2
REF:

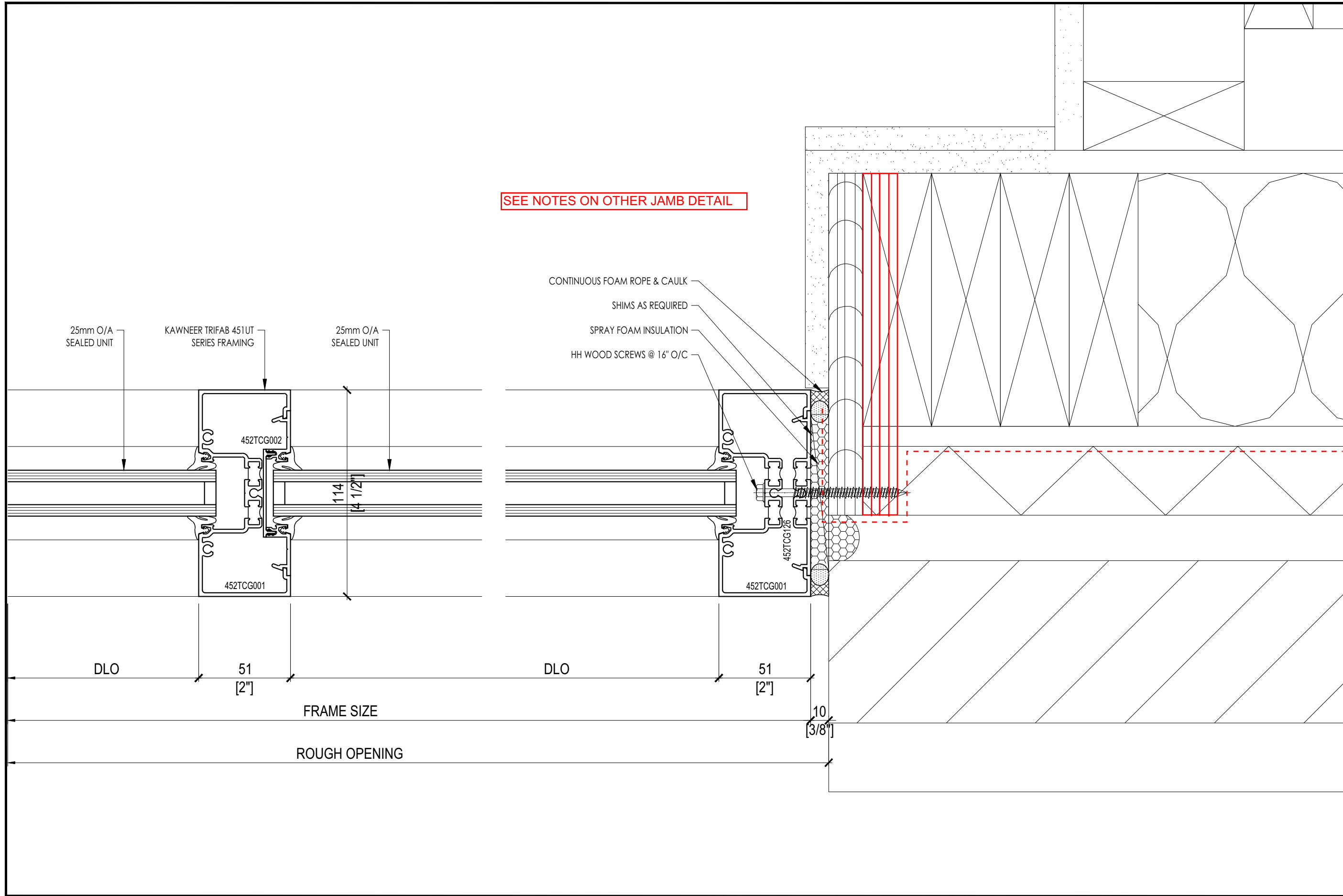
JOB NO. NCG-433	DRAWN BY: MW	SCALE: 1:2	DRAWING NO. 4 OF 6
SECTION DETAILS			
PROJECT: THE MERIDIAN COMMUNITY BUILDING REBUILD			
ARCHITECT: HOBIN ARCHITECTURE INC.			
CONTRACTOR: TAL-CO BLDG. INNOVATIONS			
LOCATION: A-4728 BANK STREET, OTTAWA, ON			
DATE: JUNE 27, 2019			
NCG National Contract Glazing Ltd.			
419 INDUSTRIAL AVE. OTTAWA, ONTARIO K1G 0Z1		TEL.: (613) 731-2522 FAX: (613) 731-6971	



1 DOOR JAMB
 5 SCALE: 1:2
 REF:

JOB NO. NCG-433	DRAWN BY: MW	SCALE: 1:2	DRAWING NO. 5 OF 6
DWG TITLE: PLAN DETAILS			
PROJECT: THE MERIDIAN COMMUNITY BUILDING REBUILD			
ARCHITECT: HOBIN ARCHITECTURE INC.			
CONTRACTOR: TAL-CO BLDG. INNOVATIONS			
LOCATION: A-4728 BANK STREET, OTTAWA, ON			
DATE: JUNE 27, 2019			
REF:			
<p>NCG National Contract Glazing Ltd.</p> <p>419 INDUSTRIAL AVE. OTTAWA, ONTARIO K1G 0Z1</p> <p>TEL.: (613) 731-2522 FAX: (613) 731-6971</p>			

THIS DRAWING IS THE SOLE PROPERTY OF NATIONAL CONTRACT GLAZING LTD.
 REPRODUCTION IS NOT PERMITTED WITHOUT WRITTEN APPROVAL OF NATIONAL CONTRACT GLAZING LTD.



SEE NOTES ON OTHER JAMB DETAIL

- CONTINUOUS FOAM ROPE & CAULK
- SHIMS AS REQUIRED
- SPRAY FOAM INSULATION
- HH WOOD SCREWS @ 16" O/C

1 PLAN DETAILS
 6 SCALE: 1:2
 REF:

THIS DRAWING IS THE SOLE PROPERTY OF NATIONAL CONTRACT GLAZING LTD. REPRODUCTION IS NOT PERMITTED WITHOUT WRITTEN APPROVAL OF NATIONAL CONTRACT GLAZING LTD.

JOB No.	NCG-433	DRAWN BY:	MW	SCALE	1:2
DWG TITLE:	PLAN DETAILS				
PROJECT:	THE MERIDIAN COMMUNITY BUILDING REBUILD				
ARCHITECT:	HOBIN ARCHITECTURE INC.				
CONTRACTOR:	TAL-CO BLDG. INNOVATIONS				
LOCATION:	A-4728 BANK STREET, OTTAWA, ON				
DATE:	JUNE 27, 2019	REF:			

NCG
National Contract
Glazing Ltd.

419 INDUSTRIAL AVE.
OTTAWA, ONTARIO
K1G 0Z1

TEL.: (613) 731-2522
 FAX: (613) 731-6971