

# SUBMITTAL

Reviewed by FB. 16-April-2019  
TAL-CO Building Innovations Ltd.

Job:

Spec Section No:

Submittal No:

Revision No:


Sent Date:

Spec Section Title:

Submittal Title:

Contractor:

Contractor's Stamp

<b>Project Name</b> St Mary's School	 <small>MECHANICAL SOLUTIONS INDUSTRY LEADERS 24 BENTLEY AVENUE, CHESHAM, ONTARIO, L9E 5T5 PH: 613-528-9550 FAX: 613-528-9518</small>
<input type="checkbox"/> APPROVED	<input type="checkbox"/> REJECTED
<input type="checkbox"/> REVISE	<input checked="" type="checkbox"/> REVIEWED
<b>BY</b> NDewar	<b>DATE</b> 4/16/2019
<b>SUBMITTAL#</b>	<b>SPEC</b>

Architect:

Architect's Stamp

Engineer:

Engineer's Stamp

# SHOP DRAWING SUBMITTAL



Noble Corporation - 1283 Algoma rd. - Ottawa, ON - K1B3W7  
613-746-9555 - Quotes-Ottawa@Noble.ca

**You need it?We got it.**

**Job Name:**

**Address:**

**Quotation #:**

**Date:**

**Attention:**

**NOTES:**

A large, empty rectangular box with a red border, intended for handwritten notes.



**Specification:**

Double compartment sink with faucet ledge. 20 gauge, type 302, 18-8 stainless steel. Self rimming. Exposed surfaces are satin finished. Spillway® between bowls. Undercoated to reduce condensation and resonance. Complete with factory applied rim seal, Universal Installation System hardware, cutout template and 3 1/2" crumb cup waste assembly, location center back.

**Compartment Size:** 16" x 14" x 7" (41cm x 36cm x 18cm)

**Overall Size:** 20 1/2" x 31 1/4" (52cm x 79cm)

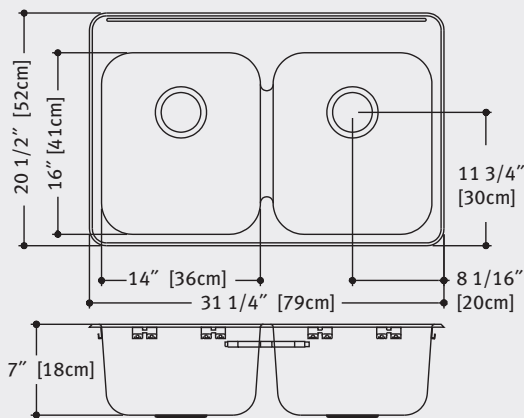
**Faucet hole drilling options:**

- LBD6407-1/1 1 hole, 1 1/2" diameter
- LBD6407-1/3 3 hole, 1 1/2" diameter, 4" centers, 8" centerset
- LBD6407-1/4 4 hole, as 3 hole above, plus 1 hole 4" to the right
- LBD6407-1 Custom (non-returnable)

**\*For custom please specify drilling requirements.**

**Notes:**

- Electronic specifications, reference [www.kindred-sinkware.com](http://www.kindred-sinkware.com)



**PROJECT INFORMATION**

Project Name: \_\_\_\_\_

Item Reference: \_\_\_\_\_

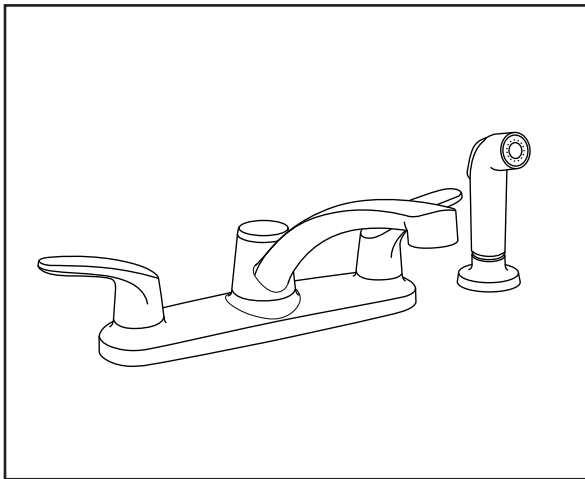
Location: \_\_\_\_\_

Quote #: \_\_\_\_\_

Faucet Model #: \_\_\_\_\_

Drillings Required: \_\_\_\_\_

Notes: \_\_\_\_\_



7074.501 Shown

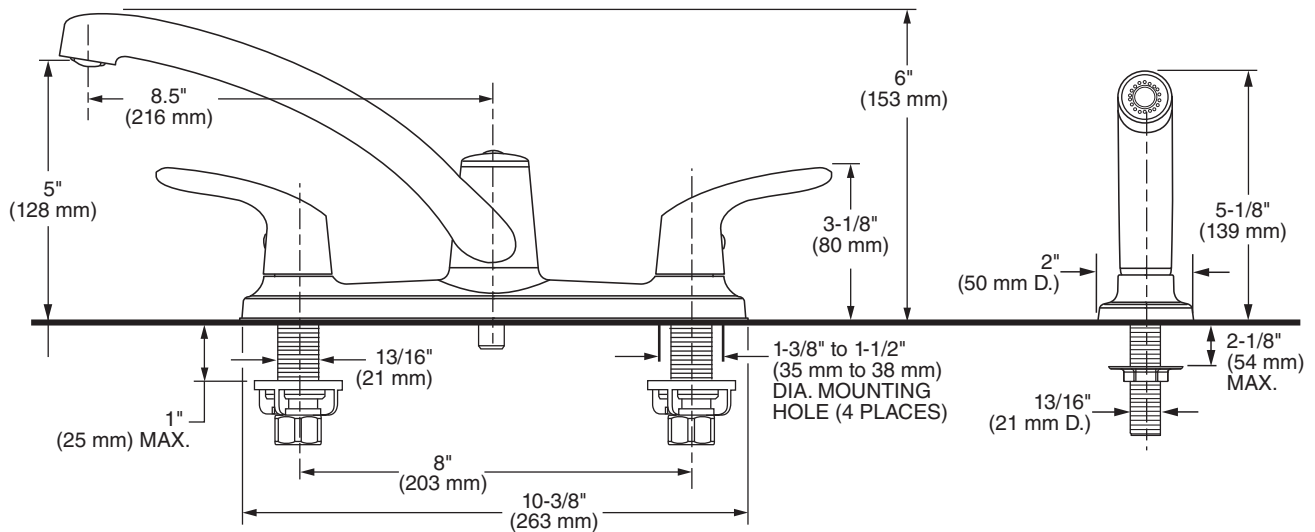
**MODEL NUMBER:**

**7074.500 Kitchen Faucet**

Lever handles. LESS handspray.

**7074.501 Kitchen Faucet**

Lever handles. Separate color-matched handspray.



**GENERAL DESCRIPTION:**

Durable construction. 1/4 turn washerless ceramic disc valve cartridge and one-half inch male inlet shanks. Brass swivel spout (360° rotation) with metal lever handles. Color-matched side spray. 1.5 gpm/5.7 L/min. maximum flow rate.

**PRODUCT FEATURES:**

**Ceramic Disc Valve Cartridge:** Assures a lifetime of drip-free performance.

**Lead Free:** Faucet contains ≤ 0.25% total lead content by weighted average.

**Simple Installation:** Fast and easy one person installation. Faucet drops in from top. Quick spin nuts secure faucet in place.

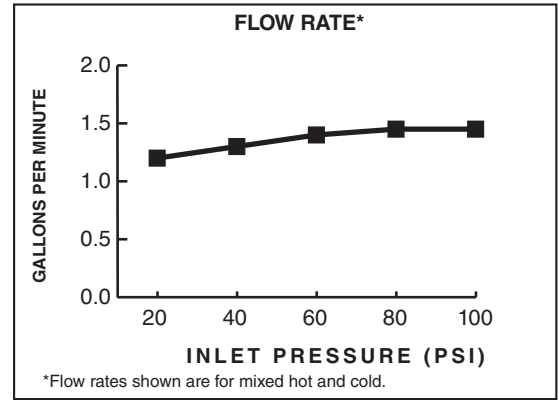
**SUGGESTED SPECIFICATION**

Two handle kitchen faucet shall feature metal construction with one-half inch male inlet shanks. Brass swivel spout. Shall also feature 1/4 turn washerless ceramic disc valve cartridges. Fitting shall be American Standard Model # 7074.50\_\_\_\_.

**CODES AND STANDARDS**

These products meet or exceed the following codes and standards:

- ANSI A117.1**
- ASME A112.18.1**
- CSA B125.1**
- NSF 61/Section 9**
- NSF 372**



**1.5 gpm/5.7 L/min. FLOW RATE**

Product Number	Description	Finish Options
		Polished Chrome
		002
7074.500	Kitchen faucet. Lever handles. LESS handspray.	
7074.501	Kitchen faucet. Lever handles. Separate color-matched mandspray.	

Meets the American Disabilities Act Guidelines and **ANSI A117.1** Requirements for the physically challenged.