

### SUBMITTAL / SHOP DRAWING REVIEW

This submittal/shop drawing review is for general conformance with drawings and specifications only.

Contractor is completely responsible for all dimensions, details, quantities, supply, installation and construction.

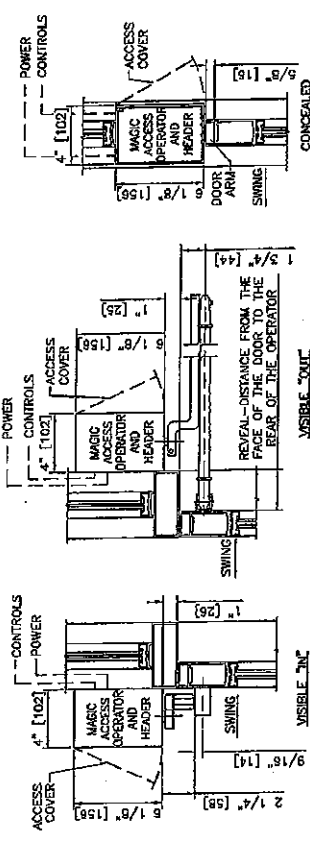
This review does not in any way relieve the Contractor of responsibility for compliance with the Contract Documents.

Client:	Catholic District School Board of Eastern Ontario
Project:	St. Mary Catholic School Carleton Place, Ontario
Submittal:	Door Operator
Notes:	<b><i>- General Contractor shall be responsible for verifying hand and swing</i></b>

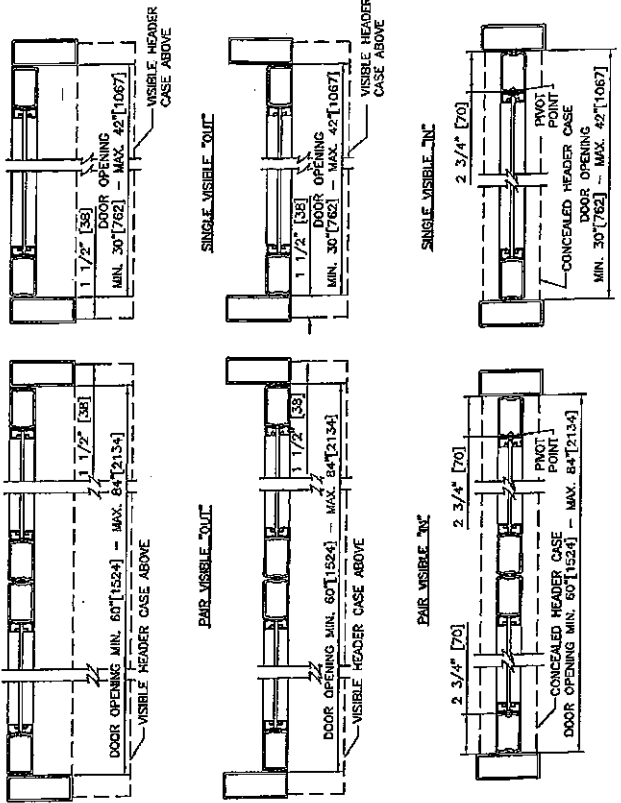
**STANLEY Security**  
ACCESS TECHNOLOGIES

**MAGIC ACCESS**

LOW-ENERGY OPERATOR ON ALUMINUM DOOR & FRAME  
PROJECT INFORMATION  
PROJECT NAME: **ST MARYS CATHOLIC SCHOOL**  
LOCATION: **4 Hawthorne Ave, Castle Rock, CO**  
DOOR NUMBER: **Rm 124 Exterior**  
DATE: **July 17, 2019**  
SHEET 1 OF 2



① VERTICAL SECTIONS  
SCALE: 1 1/2" = 1'-0"

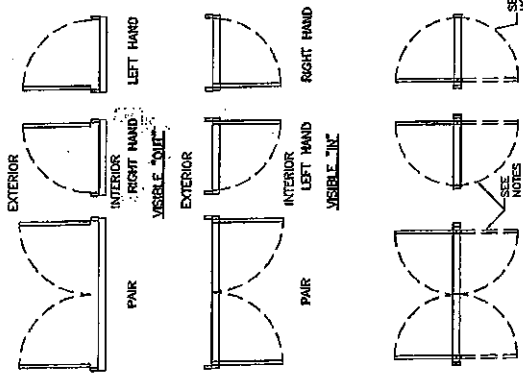


② HORIZONTAL SECTIONS  
SCALE: 1 1/2" = 1'-0"

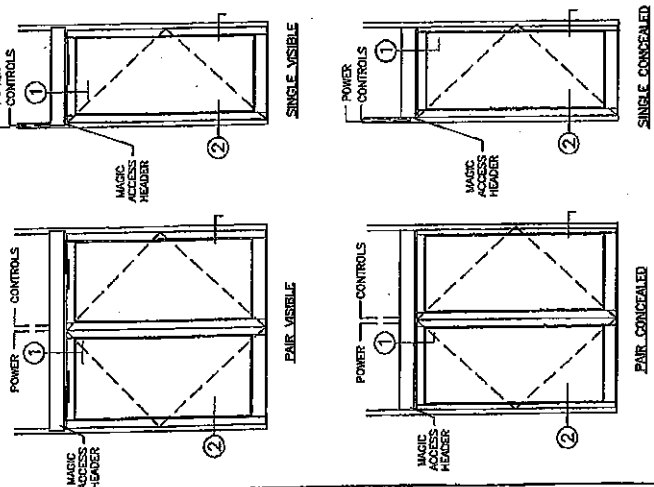
LOW-ENERGY OPERATOR ON ALUMINUM DOOR & FRAME

**MAGIC ACCESS**  
**STANLEY Security**  
ACCESS TECHNOLOGIES

Reviewed by **FB/TBL** - July 17, 2019.



PLAN VIEWS  
SCALE: 3/16" = 1'-0"



ELEVATIONS  
SCALE: 1/4" = 1'-0"

- NOTES
- ELECTRICAL REQUIREMENTS BY ELECTRICAL CONTRACTOR
  - DOOR SHALL BE OPERATED BY LOW-ENERGY OPERATOR
  - CONTROL CIRCUIT FROM LOW-ENERGY OPERATOR
  - DOORS MUST BE UN-LATCHED FOR PROPER OPERATION. PROVIDE TIME DELAY RELAY WHEN REQUIRED FOR PROPER OPERATION.
  - OPTIONAL BREAKOUT SWITCH REQUIRED.
  - OPERATOR AND INSTALLATION TO COMPLY WITH ANSI/BHMA A156.19.
  - SEE SPECIFICATIONS FOR ADDITIONAL INFORMATION.

**STANLEY**  
Security

ACCESS TECHNOLOGIES

**MAGIC  
ACCESS**

LOW ENERGY OPERATOR, AL FRAME, VISIBLE, RIGHT HAND OUT

PROJECT INFORMATION

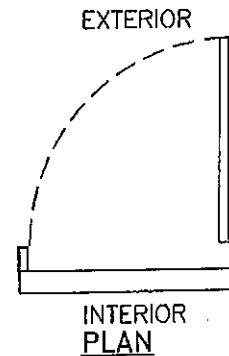
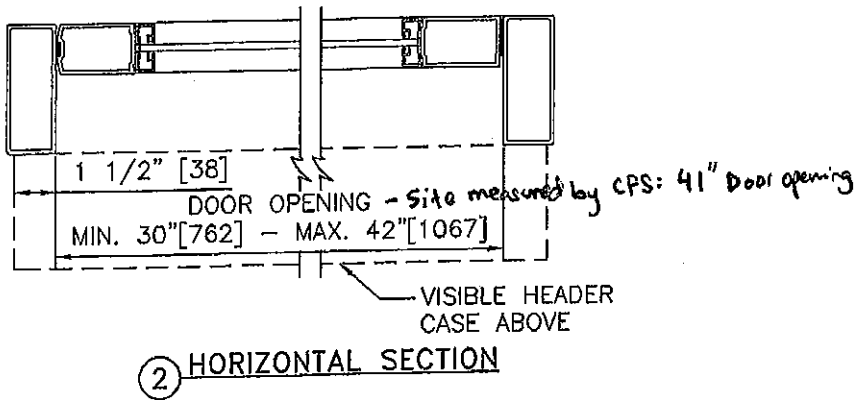
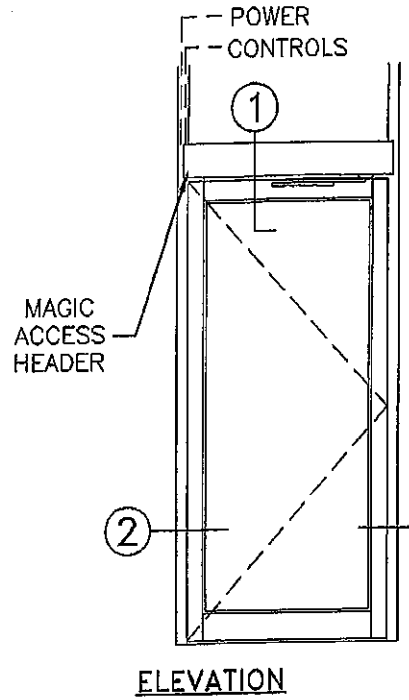
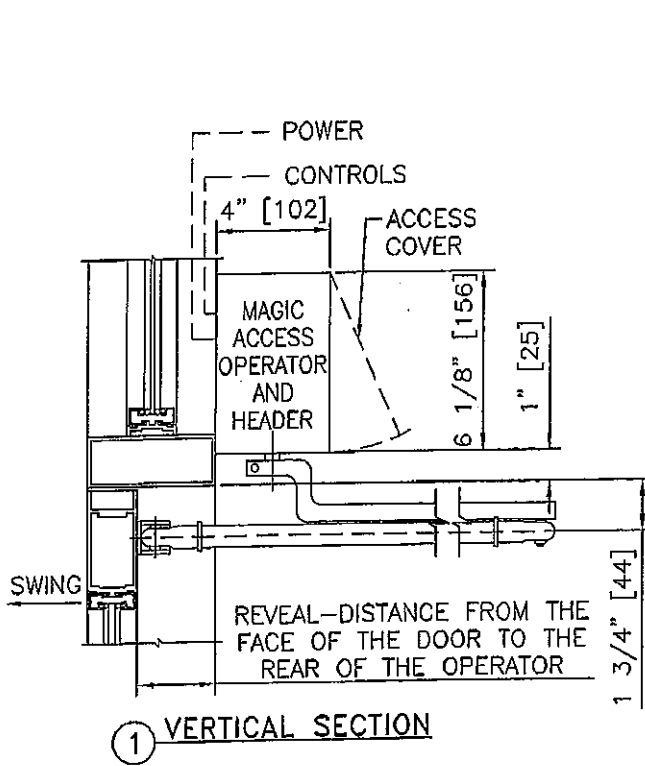
PROJECT NAME: *SmCS*

LOCATION: *4 Hawthorne Ave, Carleton Place*

DOOR NUMBER(S): *Rm 129 Exterior*

DATE: *July 12, 2019*

SHEET: *2* OF *2*



**NOTES**

1. DETAILS NOT TO SCALE.
2. ELECTRICAL REQUIREMENTS: BY ELECTRICAL CONTRACTOR
  - 2.1 120 VAC, 5 AMP MIN TO OPERATOR.
  - 2.2 CONTROL CIRCUIT FROM ACTIVATION TO OPERATOR.
3. DOORS, FRAMES, AND HARDWARE BY OTHERS.
4. DOORS MUST BE UN-LATCHED FOR PROPER OPERATION. PROVIDE TIME DELAY RELAY WHEN REQUIRED FOR PROPER OPERATION.
5. OPERATOR AND INSTALLATION TO COMPLY WITH ANSI/BHMA A156.19.
6. SEE SPECIFICATIONS FOR ADDITIONAL INFORMATION.