

CORFLEX IS NOT RESPONSIBLE FOR THE INTEGRITY AND SUPPORTING CAPACITY OF THE EXISTING WOOD STRUCTURE.

4100 SERIES
STC 41

- ANODIZED ALUMINIUM TRACK
- FIXED SWEEPS AT TOP AND BOTTOM

ALL DIMENSIONS ARE BASED ON OPENING WIDTH. CORFLEX MUST BE NOTIFIED OF ANY VARIATION OF THE OPENING DIMENSIONS PRIOR TO INSTALLING THE STRUCTURAL SUPPORT SINCE THIS WILL LEAD TO A CHANGE IN STEEL LAYOUT. STRUCTURE MUST BE INSTALLED AS PER OUR APPROVED SHOP DRAWINGS.

SUGGESTION:
GYPSUM & ACOUSTICAL INSULATION BY OTHERS

WOOD STRUCTURE BY OTHERS
INSTALLED PERFECTLY LEVEL

CEILING
TRACK #15

**SITE CONFIRM DIMENSIONS.
PLEASE PROVIDE COLOUR CHART
FOR FABRIC SELECTION**

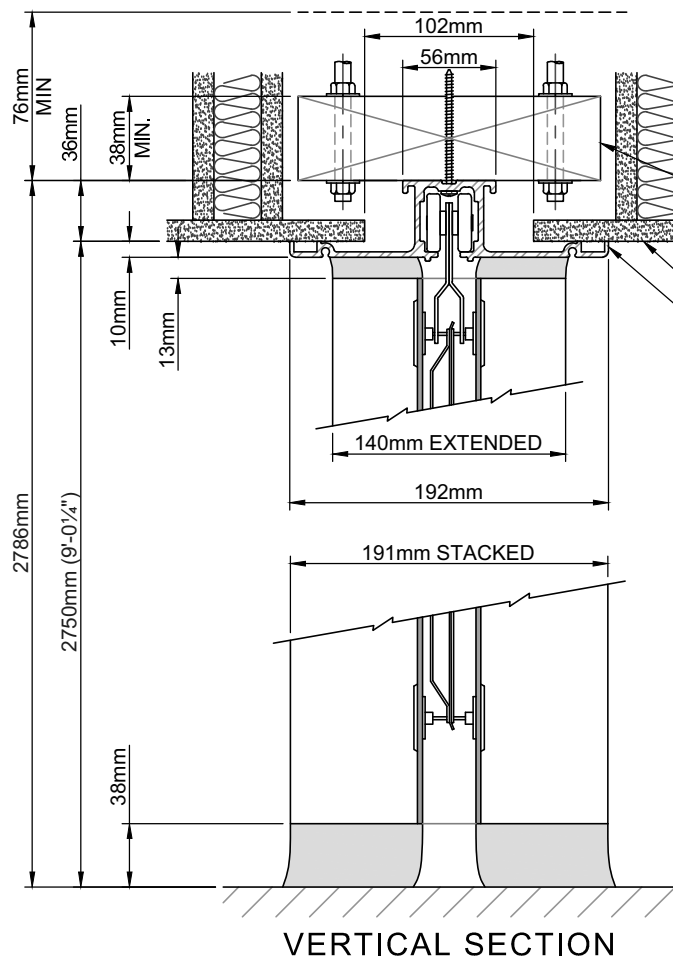
SHOP DRAWING REVIEW

- REVIEWED
- REVIEWED AS NOTED
- REVISE AND RESUBMIT



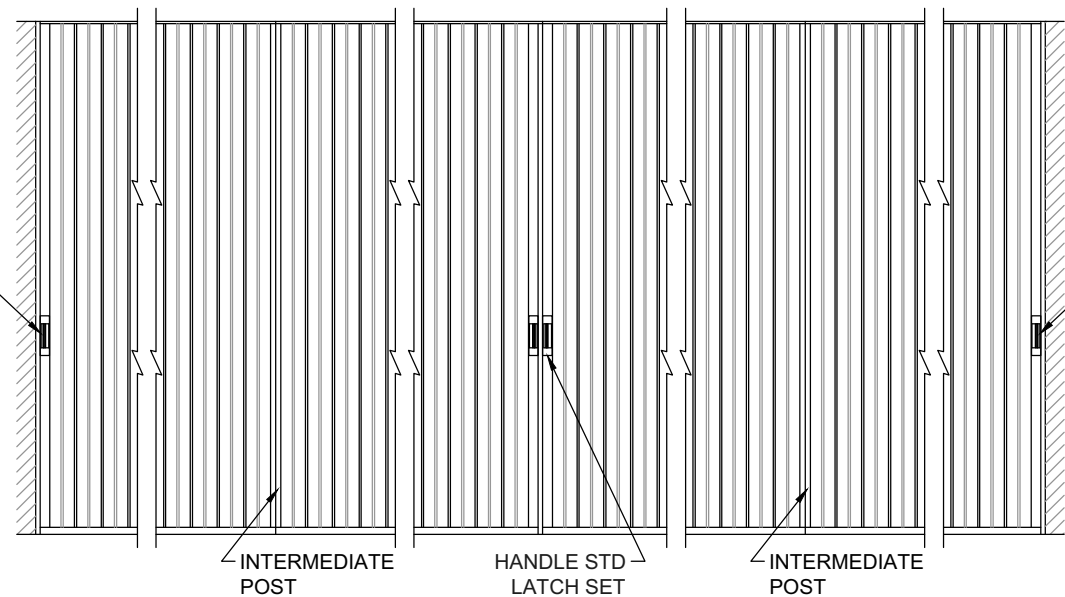
"This review is for the sole purpose of ascertaining conformance with the general design concept for architectural features only, and does not in any way constitute review of the design of engineering elements which form part of the Contract Documents prepared by others. This review shall not mean that the Architect approves the detail design inherent in the shop drawings. This responsibility shall remain with the Contractor submitting same, and such review shall not relieve the Contractor of his responsibility for errors or omissions in the shop drawings or of his responsibility for meeting all requirements of the Contract Documents. The Contractor is responsible for dimensions to be confirmed and correlated at the job site, for information that pertains solely to fabrication processes, or to techniques of construction and installation and for co-ordination for the work of all trades."

By: Bryan Bonell Date: July 18, 2019
HOBIN ARCHITECTURE INCORPORATED

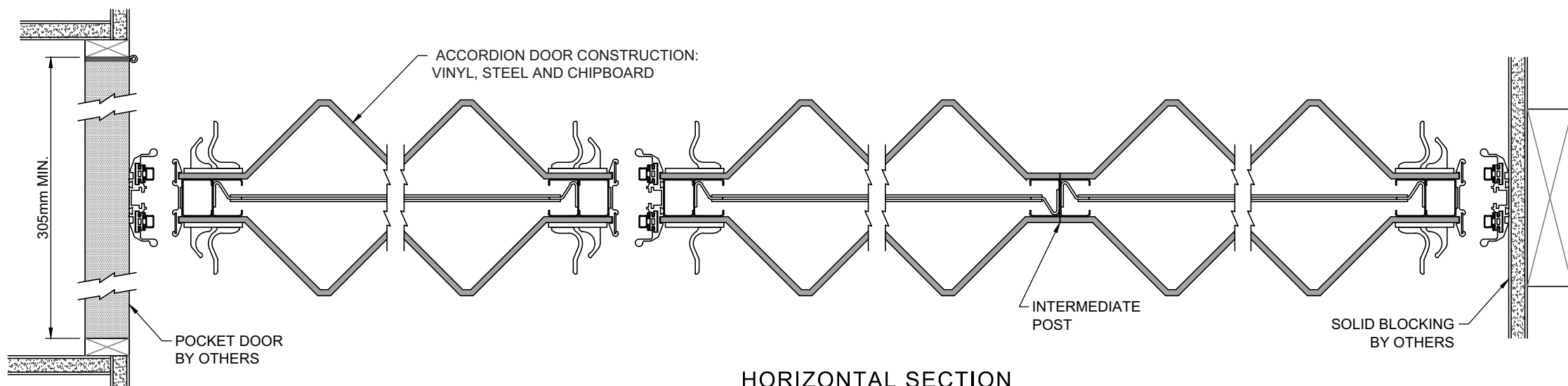


VERTICAL SECTION

HANDLE
MASTER KEY PREP.
BOTH SIDES



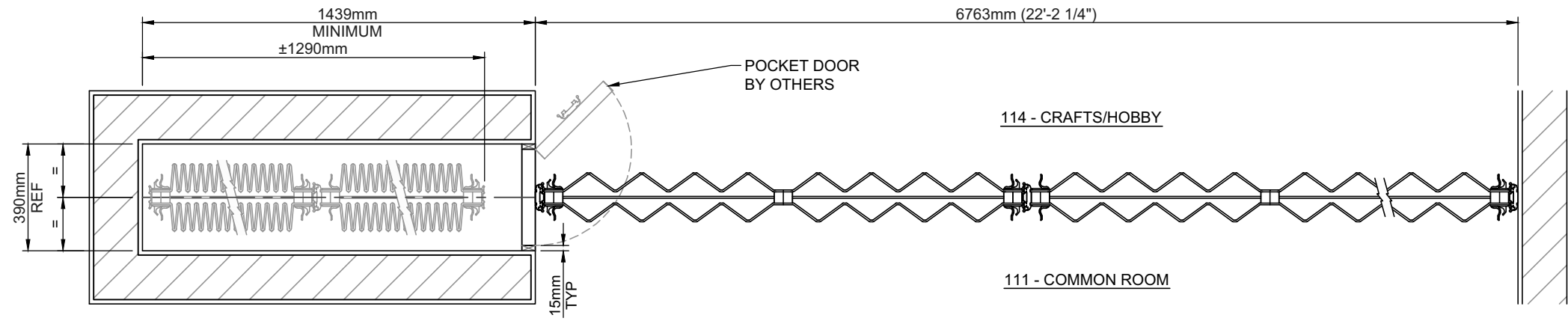
ELEVATION



HORIZONTAL SECTION

LOCATION 114 - CRAFTS/HOBBY 111 - COMMON ROOM	WEIGHT ± 400kg	GENERAL NOTES: 1- SOLID BLOCKING IS REQUIRED AT JAMBS BY OTHERS. 2- ANY STRUCTURAL DEFLECTION AND VARIATION OF THE FLOOR LEVELNESS SHOULD NOT EXCEED A COMBINED TOTAL OF 10mm. 3- THERE MUST BE A CLEARANCE OF AT LEAST 350mm ON EACH SIDE OF CENTER LINE AT CEILING, WALLS AND FLOOR. 4- CORFLEX IS NOT RESPONSIBLE FOR SOUND BARRIERS ABOVE THE CEILING. 5- UNLESS OTHERWISE NOTED, OVERHEAD STRUCTURAL SUPPORTS TO BE SUPPLIED BY OTHERS. 6- CORFLEX RECOMMENDS THAT ALL SUSPENSION ELEMENTS BE ACCESSIBLE FOR FUTURE ADJUSTEMENTS. 7- ALL DIMENSIONS ARE TO BE FIELD VERIFIED. 8- WALLS AT EXTREMITY OF PARTITION MUST BE PLUMB, BY OTHERS.	PROJECT: THE MERIDIAN COMMUNITY BLDG ARCH./DESIGNER: BARRY J HOBIN ASSOCIATES CONTRACTOR: TALCO BUILDING INNOVATIONS LTD DIST./AGENT: STÉPHANE SOUCY LOCATION: OTTAWA, ON	CORFLEX 10 rue Poissant Delson QC, J5B 2J1 Tel. : (450) 444-2422 Fax : (450) 444-2441 www.corflex.ca Licensee of HUPCOR International	DRAW BY: G.L. DATE: 2019-07-08 REV. NO.: - DRAWING NO.: A19-12303-1	1 2
COLOUR : -						
DOOR FINISH : STANDARD FABRIC						

ALL DIMENSIONS ARE BASED ON OPENING WIDTH. CORFLEX MUST BE NOTIFIED OF ANY VARIATION OF THE OPENING DIMENSIONS PRIOR TO INSTALLING THE STRUCTURAL SUPPORT SINCE THIS WILL LEAD TO A CHANGE IN STEEL LAYOUT. STRUCTURE MUST BE INSTALLED AS PER OUR APPROVED SHOP DRAWINGS.



PLAN VIEW

LOCATION 114 - CRAFTS/HOBBY 111 - COMMON ROOM	WEIGHT ± 400 kg	GENERAL NOTES: 1- SOLID BLOCKING IS REQUIRED AT JAMBS BY OTHERS. 2- ANY STRUCTURAL DEFLECTION AND VARIATION OF THE FLOOR LEVELNESS SHOULD NOT EXCEED A COMBINED TOTAL OF 10mm. 3- THERE MUST BE A CLEARANCE OF AT LEAST 350mm ON EACH SIDE OF CENTER LINE AT CEILING, WALLS AND FLOOR. 4- CORFLEX IS NOT RESPONSIBLE FOR SOUND BARRIERS ABOVE THE CEILING. 5- UNLESS OTHERWISE NOTED, OVERHEAD STRUCTURAL SUPPORTS TO BE SUPPLIED BY OTHERS. 6- CORFLEX RECOMMENDS THAT ALL SUSPENSION ELEMENTS BE ACCESSIBLE FOR FUTURE ADJUSTEMENTS. 7- ALL DIMENSIONS ARE TO BE FIELD VERIFIED. 8- WALLS AT EXTREMITY OF PARTITION MUST BE PLUMB, BY OTHERS.	PROJECT: THE MERIDIAN COMMUNITY BLDG ARCH./DESIGNER: BARRY J HOBIN ASSOCIATES CONTRACTOR: TALCO BUILDING INNOVATIONS LTD DIST./AGENT: STÉPHANE SOUCY LOCATION: OTTAWA, ON	CORFLEX 10 rue Poissant Delson QC, J5B 2J1 Tel. : (450) 444-2422 Fax : (450) 444-2441 www.corflex.ca Licensee of HUPCOR International	DRAW BY: G.L. DATE: 2019-07-08 REV. NO.: - DRAWING NO.: A19-12303-1 2 / 2
COLOUR : -					
DOOR FINISH : STANDARD FABRIC					

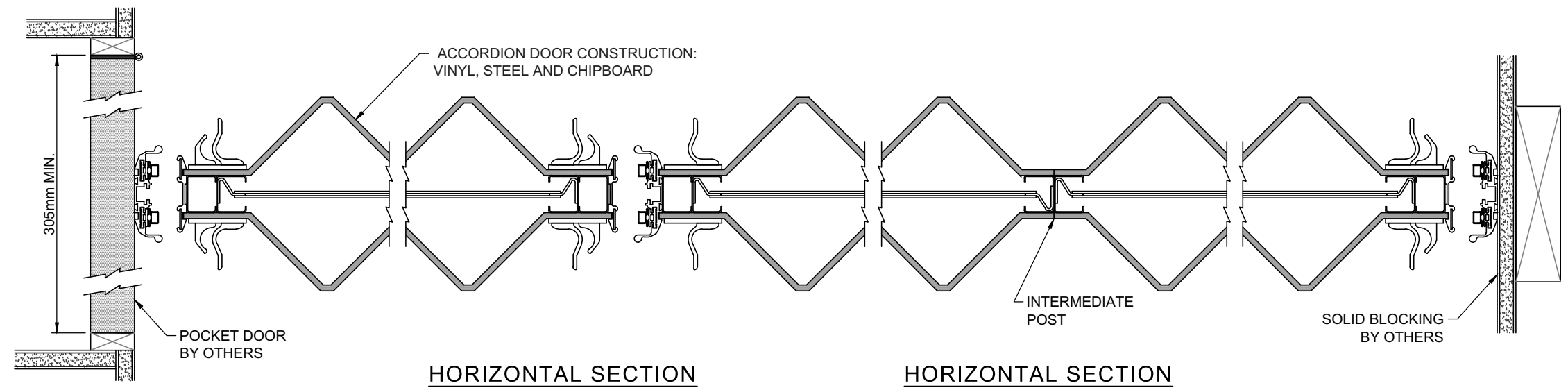
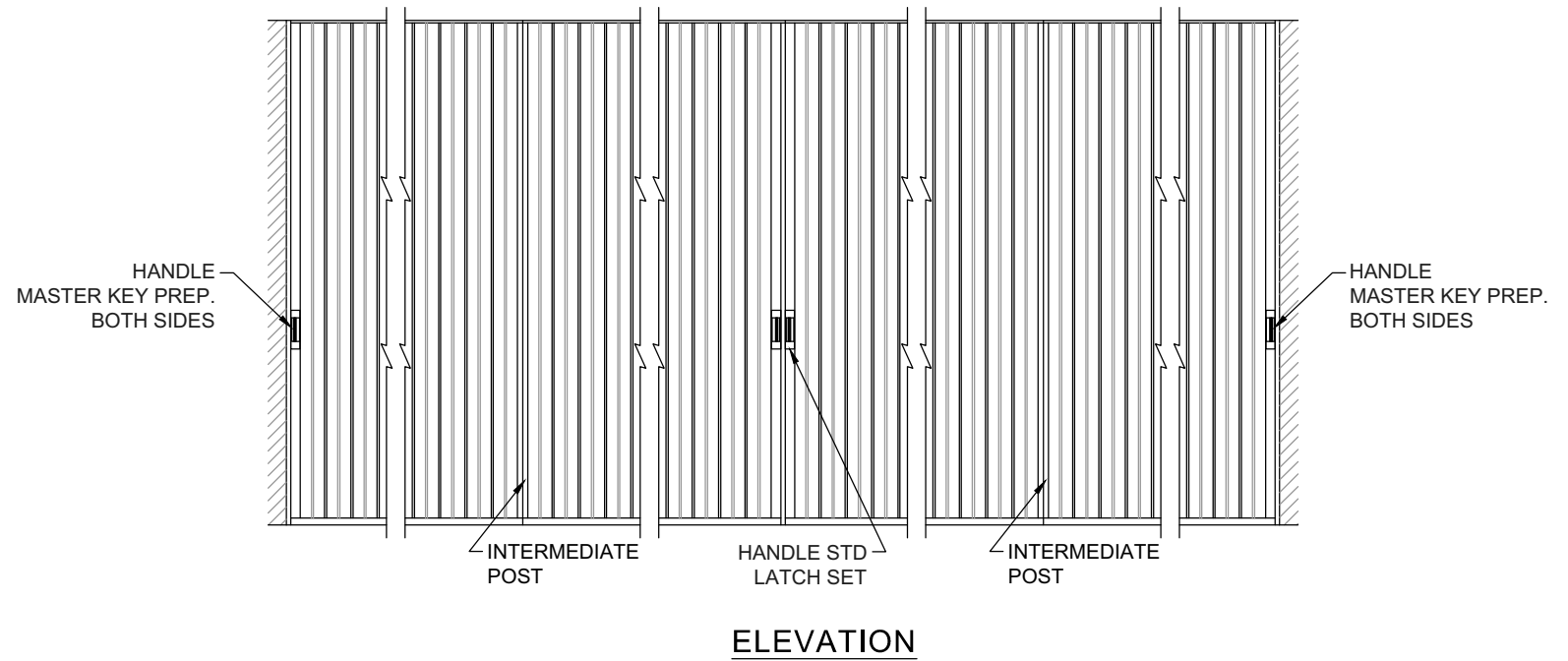
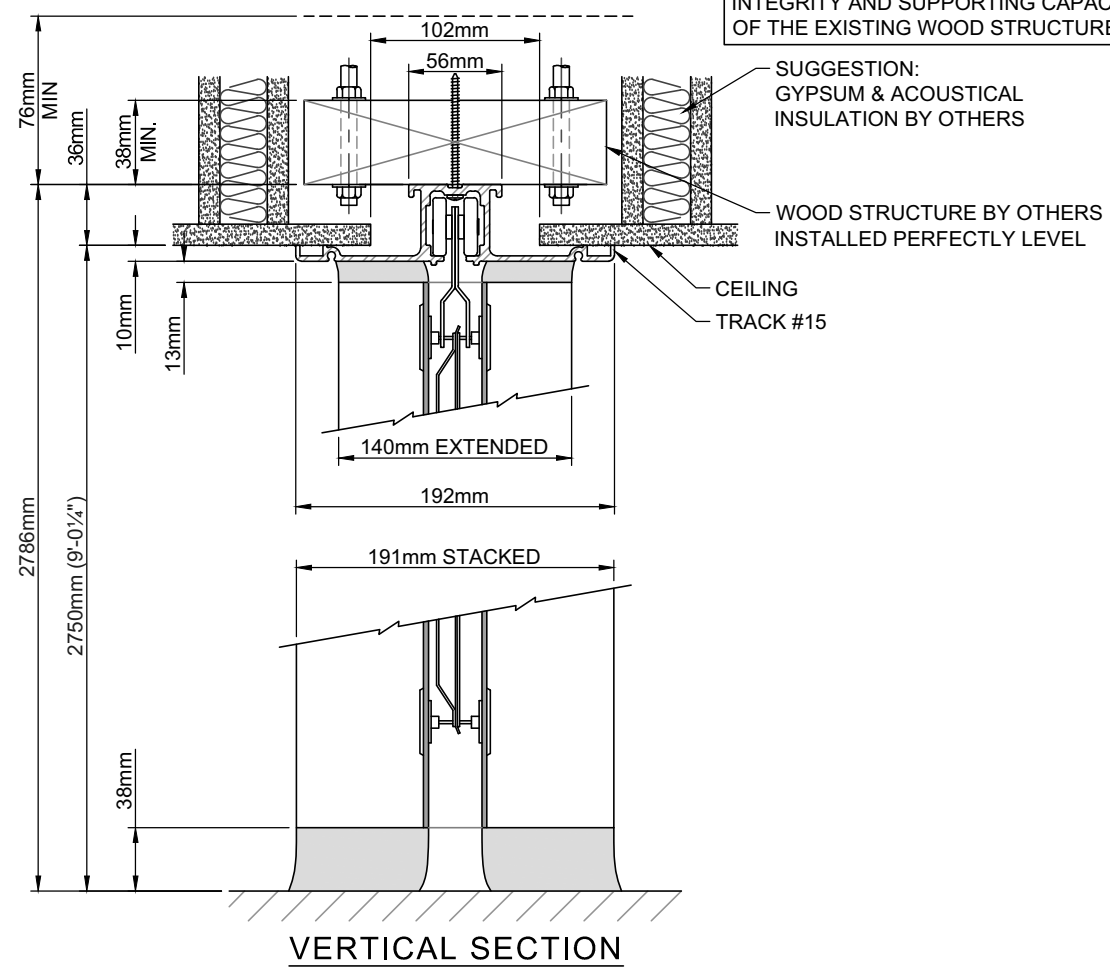
CORFLEX IS NOT RESPONSIBLE FOR THE INTEGRITY AND SUPPORTING CAPACITY OF THE EXISTING WOOD STRUCTURE.

4100 SERIES

STC 41

- ANODIZED ALUMINIUM TRACK
- FIXED SWEEPS AT TOP AND BOTTOM

ALL DIMENSIONS ARE BASED ON OPENING WIDTH. CORFLEX MUST BE NOTIFIED OF ANY VARIATION OF THE OPENING DIMENSIONS PRIOR TO INSTALLING THE STRUCTURAL SUPPORT SINCE THIS WILL LEAD TO A CHANGE IN STEEL LAYOUT. STRUCTURE MUST BE INSTALLED AS PER OUR APPROVED SHOP DRAWINGS.

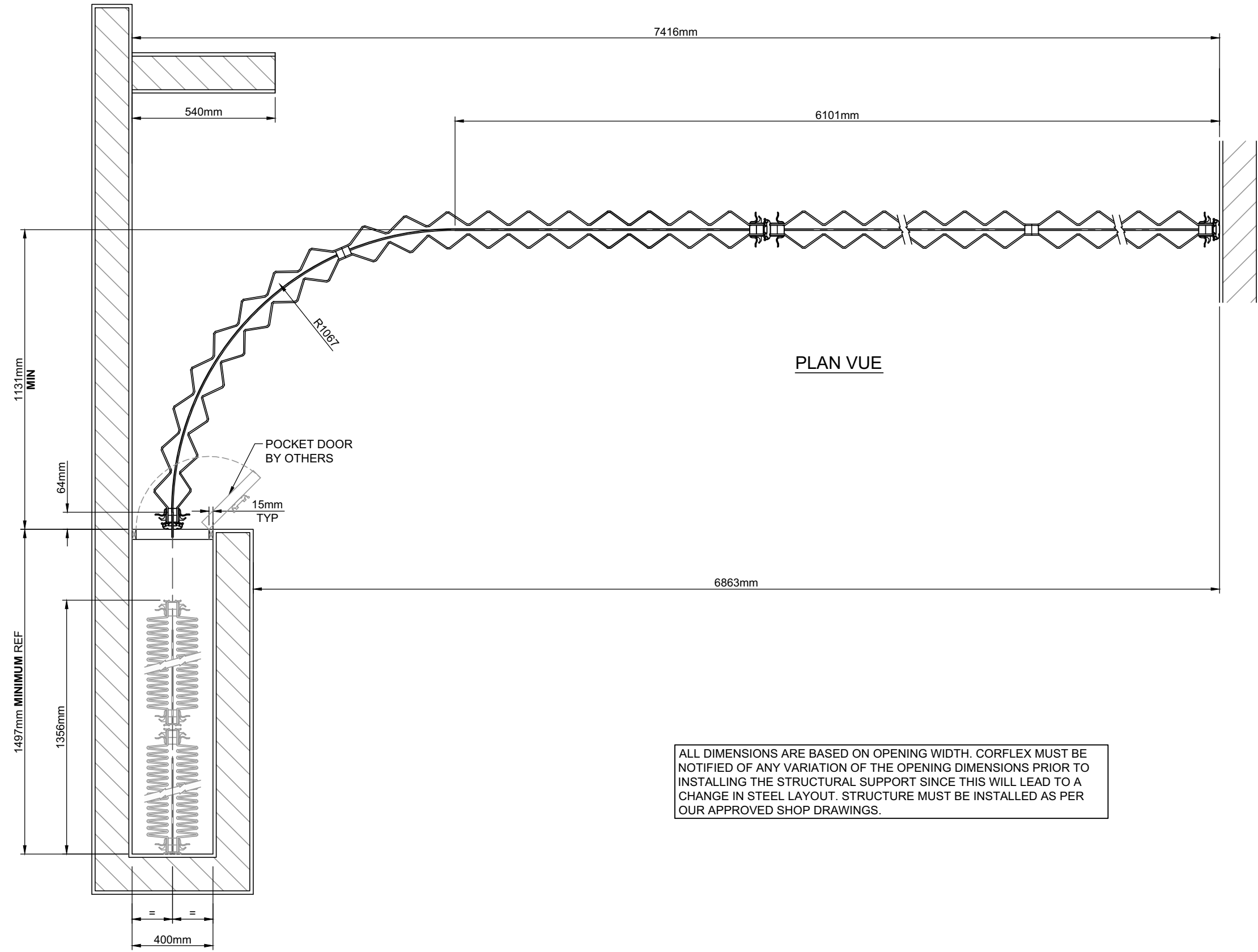


LOCATION	WEIGHT
111 - COMMON ROOM 109 - FITNESS	± 440kg
COLOUR : -	
DOOR FINISH : STANDARD FABRIC	

- GENERAL NOTES:**
- 1- SOLID BLOCKING IS REQUIRED AT JAMBS BY OTHERS.
 - 2- ANY STRUCTURAL DEFLECTION AND VARIATION OF THE FLOOR LEVELNESS SHOULD NOT EXCEED A COMBINED TOTAL OF 10mm.
 - 3- THERE MUST BE A CLEARANCE OF AT LEAST 350mm ON EACH SIDE OF CENTER LINE AT CEILING, WALLS AND FLOOR.
 - 4- CORFLEX IS NOT RESPONSIBLE FOR SOUND BARRIERS ABOVE THE CEILING.
 - 5- UNLESS OTHERWISE NOTED, OVERHEAD STRUCTURAL SUPPORTS TO BE SUPPLIED BY OTHERS.
 - 6- CORFLEX RECOMMENDS THAT ALL SUSPENSION ELEMENTS BE ACCESSIBLE FOR FUTURE ADJUSTMENTS.
 - 7- ALL DIMENSIONS ARE TO BE FIELD VERIFIED.
 - 8- WALLS AT EXTREMITY OF PARTITION MUST BE PLUMB, BY OTHERS.

PROJECT: THE MERIDIAN COMMUNITY BLDG
ARCH./DESIGNER: BARRY J HOBIN ASSOCIATES
CONTRACTOR: TALCO BUILDING INNOVATIONS LTD
DIST./AGENT: STÉPHANE SOUCY
LOCATION: OTTAWA, ON

 10 rue Poissant Delson QC, J5B 2J1 Tel. : (450) 444-2422 Fax : (450) 444-2441 www.corflex.ca Licensee of International	DRAW BY: G.L.
	DATE: 2019-07-08
	REV. NO.: -
	DRAWING NO.: A19-12303-2



PLAN VUE

ALL DIMENSIONS ARE BASED ON OPENING WIDTH. CORFLEX MUST BE NOTIFIED OF ANY VARIATION OF THE OPENING DIMENSIONS PRIOR TO INSTALLING THE STRUCTURAL SUPPORT SINCE THIS WILL LEAD TO A CHANGE IN STEEL LAYOUT. STRUCTURE MUST BE INSTALLED AS PER OUR APPROVED SHOP DRAWINGS.

LOCATION 111 - COMMON ROOM 109 - FITNESS	WEIGHT ± 440kg	GENERAL NOTES: 1- SOLID BLOCKING IS REQUIRED AT JAMBS BY OTHERS. 2- ANY STRUCTURAL DEFLECTION AND VARIATION OF THE FLOOR LEVELNESS SHOULD NOT EXCEED A COMBINED TOTAL OF 10mm. 3- THERE MUST BE A CLEARANCE OF AT LEAST 350mm ON EACH SIDE OF CENTER LINE AT CEILING, WALLS AND FLOOR. 4- CORFLEX IS NOT RESPONSIBLE FOR SOUND BARRIERS ABOVE THE CEILING. 5- UNLESS OTHERWISE NOTED, OVERHEAD STRUCTURAL SUPPORTS TO BE SUPPLIED BY OTHERS. 6- CORFLEX RECOMMENDS THAT ALL SUSPENSION ELEMENTS BE ACCESSIBLE FOR FUTURE ADJUSTEMENTS. 7- ALL DIMENSIONS ARE TO BE FIELD VERIFIED. 8- WALLS AT EXTREMITY OF PARTITION MUST BE PLUMB, BY OTHERS.	PROJECT: THE MERIDIAN COMMUNITY BLDG ARCH./DESIGNER: BARRY J HOBIN ASSOCIATES CONTRACTOR: TALCO BUILDING INNOVATIONS LTD DIST./AGENT: STÉPHANE SOUCY LOCATION: OTTAWA, ON	CORFLEX 10 rue Poissant Delson QC, J5B 2J1 Tel. : (450) 444-2422 Fax : (450) 444-2441 www.corflex.ca Licensee of HUPCOR International	DRAW BY: G.L. DATE: 2019-07-08 REV. NO.: - DRAWING NO.: A19-12303-2 2 / 2
COLOUR : -					
DOOR FINISH : STANDARD FABRIC					