



Bobrick Washroom Equipment, Inc.

Washroom Accessory Submittal

Quote No: CAJW000045-1
Quote Date: 4/23/2019
Job Name: The Meridian Building

MERLIN DOOR SYSTEMS LTD
29 CLEOPATRA DR.
UNIT 100
NEPEAN, ON K2G 0B6

Item	Description	Qty
4288	[4288] Contura Surf Mtd Tp Disp	1
4262	[4262] Contura Paper Towel Dispenser	2
4112	[4112] Cont Surf Mtd All Purp Soap Di	2
293 2436	[293 2436] Tilt Mirror 24"W X 36"H (61Cm X 91Cm)	1
254	[254] Sur Mtd Fem Napkin Disposal	1
6827	[6827] Hat And Coat Hook Satin	1
6806.99X24	[6806.99X24] Straight Grab Bar 24" (610Mm) Peened	1
6898.99	[6898.99] 30X30 L-Shape Grab Bar 90 Degr	1
296X18	[296X18] Shelf 6W By 18 Long	1
223X24	[223X24] Mop Holder - 3 Holders	1

CAN MODEL B-69997 BE SUBSTITUTED FOR THE MODEL 4288 TOILET PAPER DISPENSER WITHOUT ADDITIONAL COST?

SHOP DRAWING REVIEW

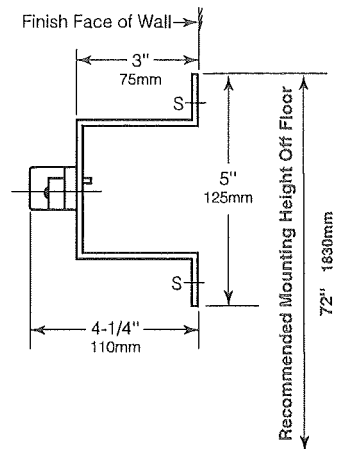
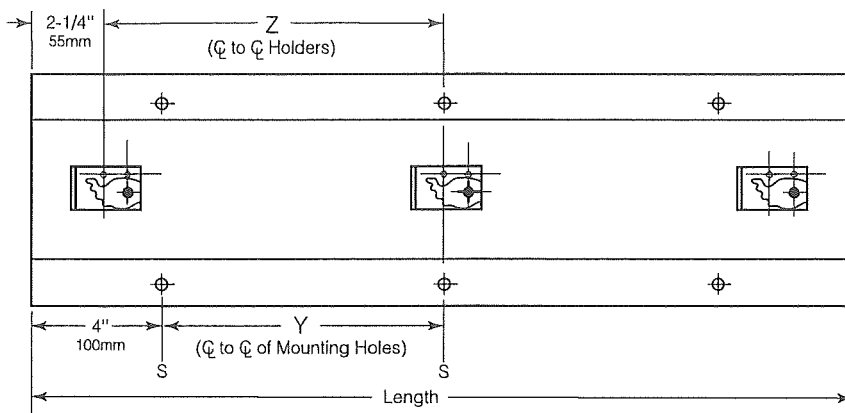
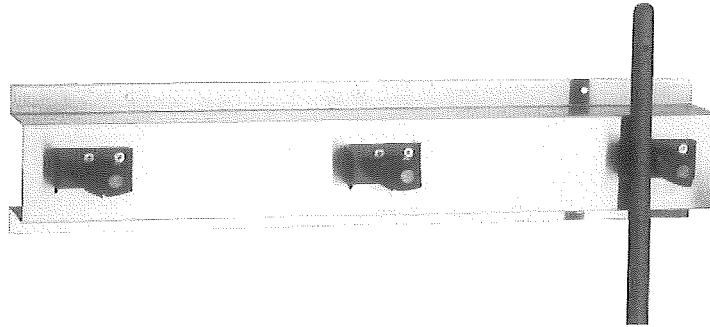
- REVIEWED
- REVIEWED AS NOTED
- REVISE AND RESUBMIT



"This review is for the sole purpose of ascertaining conformance with the general design concept for architectural features only, and does not in any way constitute review of the design of engineering elements which form part of the Contract Documents prepared by others. This review shall not mean that the Architect approves the detail design inherent in the shop drawings. This responsibility shall remain with the Contractor submitting same, and such review shall not relieve the Contractor of his responsibility for errors or omissions in the shop drawings or of his responsibility for meeting all requirements of the Contract Documents. The Contractor is responsible for dimensions to be confirmed and correlated at the job site, for information that pertains solely to fabrication processes, or to techniques of construction and installation and for co-ordination for the work of all trades."

By: Bryan Bonell Date: Sept. 13, 2019
HOBIN ARCHITECTURE INCORPORATED

REVIEWED
By Farah Bano at 10:43 am, Jul 17, 2019



STANDARD STOCK SIZES

Model No.	Length	No. of Holders	Dim. Y	No. of Mtg. Holes	Dim. Z
B-223 x 24	24" (610mm)	3	8" (205mm)	6	9-3/4" (250mm)
B-223 x 36	36" (915mm)	4	14" (355mm)	6	10-1/2" (265mm)

MATERIALS:

Mounting Base — 18-8, type-304, 22-gauge (0.8mm) stainless steel with satin finish.

Mop and Broom Holders — Spring-loaded rubber cam holders with anti-slip coating. Powder coated steel retainers.

OPERATION:

Surface-mounted holder is designed to keep mops and brooms away from wall. Spring-loaded rubber cam holders accommodate handles from 7/8" to 1-1/4" (20 to 30mm) diameter.

INSTALLATION:

Secure unit to wall with six sheet-metal screws, furnished by manufacturer, at points indicated by an S. For plaster or dry wall construction, provide concealed backing to comply with local building codes, then secure unit with stainless steel mounting screws. For other wall surfaces, provide fiber plugs or expansion shields for use with stainless steel mounting screws, or provide 1/8" (3mm) toggle bolts or expansion bolts.

SPECIFICATION:

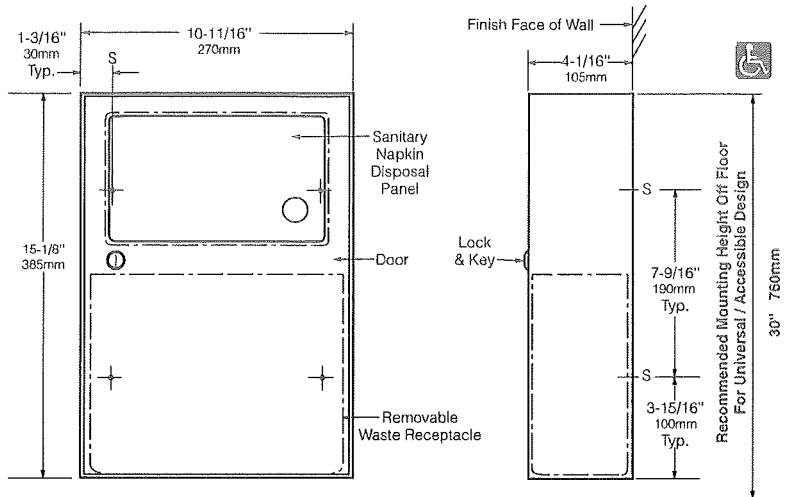
Mop and broom holder shall be type-304 stainless steel with satin finish. Unit shall be _____ (insert length) long with _____ (insert number) spring-loaded rubber cam holders.

Stainless Steel Mop and Broom Holder shall be Model _____ (insert model number) of Bobrick Washroom Equipment, Inc., Clifton Park, New York; Jackson, Tennessee; Los Angeles, California; Bobrick Washroom Equipment Company, Scarborough, Ontario; Bobrick Washroom Equipment Pty. Ltd., Australia; and Bobrick Washroom Equipment Limited, United Kingdom.



SURFACE-MOUNTED SANITARY NAPKIN DISPOSAL

B-254



MATERIALS:

Cabinet — 18-8, type-304, heavy-gauge stainless steel. All-welded construction. Exposed surfaces have satin finish.

Door — 18-8, type-304, 22-gauge (0.8mm) stainless steel with satin finish. Secured to cabinet with a full-length stainless steel piano-hinge. Equipped with a tumbler lock keyed like other Bobrick washroom accessories.

Disposal Panels (2) — 18-8, type-304, 22-gauge (0.8mm) stainless steel with satin finish. Bottom edges hemmed for safety. Secured to door and permanent panel with spring-loaded, full-length stainless steel piano-hinge. Equipped with international graphic symbol identifying sanitary napkin disposal.

Waste Receptacle — Leak-proof, rigid molded polyethylene. Removable for servicing. Capacity: 1.2-gal. (4.6-L).

OPERATION:

Unit is equipped with a self-closing panel covering each disposal opening. Napkin disposal is emptied by opening door with furnished key and removing waste receptacle.

INSTALLATION:

For partitions with particle-board or other solid core, secure with four #8 x 1-1/4" (4.2 x 32mm) sheet-metal screws (not furnished), or provide through-bolts, nuts, and washers.

For hollow-core metal partitions, provide solid backing into which sheet-metal screws can be secured. If two units are installed back-to-back, then provide threaded sleeves and machine screws for the full thickness of partition.

For plaster or dry wall construction, provide concealed backing to comply with local building coeds, then secure unit with #8 x 1-1/4" (4.2 x 32mm) sheet-metal screws.

For other wall surfaces, provide fiber plugs or expansion shields for use with #8 x 1-1/4" (4.2 x 32mm) sheet-metal screws, or provide 3/16" (5mm) toggle bolts or expansion bolts.

SPECIFICATION:

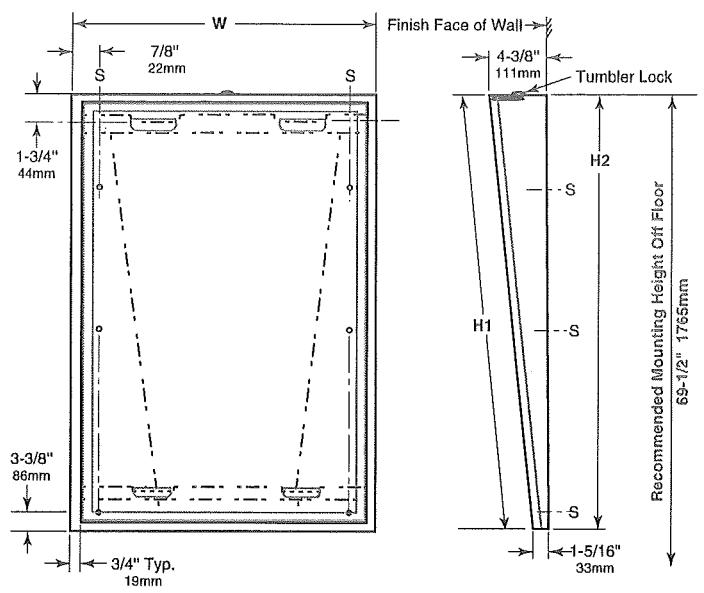
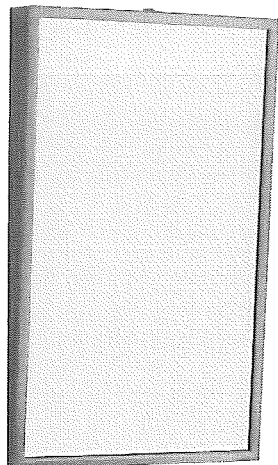
Surface-mounted sanitary napkin disposal shall be type-304 stainless steel with all-welded construction; exposed surfaces shall have satin finish. Door shall be secured to cabinet with a full-length stainless steel piano-hinge and equipped with a tumbler lock keyed like other Bobrick washroom accessories. Unit shall have a self-closing panel covering each disposal opening. Panel shall have bottom edge hemmed for safety, be secured to door with spring-loaded, full-length stainless steel piano-hinge, and equipped with international graphic symbols identifying sanitary napkin disposal. Unit shall be furnished with a removable, leak-proof molded polyethylene receptacle. Receptacle shall have a capacity of 1.2-gal. (4.6-L).

Surface-Mounted Sanitary Napkin Disposal shall be Model B-254 of Bobrick Washroom Equipment, Inc., Clifton Park, New York; Jackson, Tennessee; Los Angeles, California; Bobrick Washroom Equipment Company, Scarborough, Ontario; Bobrick Washroom Equipment Pty. Ltd., Australia; and Bobrick Washroom Equipment Limited, United Kingdom.



TILT MIRROR WITH STAINLESS STEEL FRAME

B-293 SERIES



STANDARD STOCK SIZES

MODEL NO.	MIRROR SIZE		OVERALL SIZE	
	W	H1	W	H2
B-293 1830	18" (46cm)	30" (76cm)	18" (46cm)	30-3/16" (77cm)
B-293 1836	18" (46cm)	36" (91cm)	18" (46cm)	36-3/16" (92cm)
B-293 2436	24" (61cm)	36" (91cm)	24" (61cm)	36-3/16" (92cm)

Other sizes up to 40" x 40" (101 x 122cm) or 48" x 36" (122 x 91cm) are available on special order; minimum size available, 16" x 24" (41 x 61cm). Design not as shown

MATERIALS:

Mirror Frame — 18-8, type 304, heavy-gauge stainless steel, 3/4" x 3/4" (19 x 19mm) angle with vertical-grain satin finish. One piece, roll-formed construction forms continuous integral stiffener on all sides. Bevel design on front of angle holds frame tightly against mirror. Corners of mirror frame are heliarc welded, ground and polish smooth. Galvanized steel back is fastened to frame with concealed screws and equipped with integral horizontal hanging brackets near the top and bottom of the mirror for hanging the mirror and to prevent the mirror from pulling away from the wall frame.

Wall Frame — 18-8, type 304, heavy-gauge stainless steel with satin finish. Tapers from 4-3/8" (111mm) depth at top to 1-5/16" (33mm) depth at bottom. Wall Frame furnished with tumbler lock to secure mirror to wall frame.

Designer's Note: Type 304 stainless steel provides superior corrosion resistance, compared to 400 Series stainless steel, against environmental moisture, hose-down maintenance and strong cleaning solutions.

Mirror — No. 1 quality, 1/4" (6mm) select float glass, selected for silvering; electrolytically copper-plated by the galvanic process, guaranteed for 15 years against silver spoilage. All edges are polished and protected by plastic filler strips; back is protected by full-size, shock-absorbing, water-resistant, nonabrasive, 1/8" (3mm) thick polystyrene padding.

OPERATION:

Mirror is designed to provide full visibility for wheelchair patients in hospitals and nursing homes.

INSTALLATION:

For complete installation instructions please follow 293-69 installation instruction sheet.

SPECIFICATION:

Tilt mirror assembly shall consist of a mirror and a separate wall frame with built-in wall hanger. Wall frame furnished with tumbler lock for securing mirror to wall frame. Tilt mirror frame shall be type 304 stainless steel with beveled front to hold frame tightly against mirror; corners shall be welded, ground, and polished smooth. Wall frame shall be type 304 stainless steel designed with horizontal locking bars to secure mirror to wall frame. All exposed surfaces shall have satin finish with vertical grain. Select float glass mirror shall be guaranteed for 15 years against silver spoilage. All edges shall be protected by plastic filler strips. Back shall be protected by full-size, shock-absorbing, water-resistant, nonabrasive, 1/8" (3mm) thick polystyrene padding.

Tilt Mirror shall be Model B-293 _____ (insert width and height) of Bobrick Washroom Equipment, Inc., Clifton Park, New York; Jackson, Tennessee; Los Angeles, California; Bobrick Washroom Equipment Company, Scarborough, Ontario; Bobrick Washroom Equipment Pty. Ltd., Australia; and Bobrick Washroom Equipment Limited, United Kingdom.

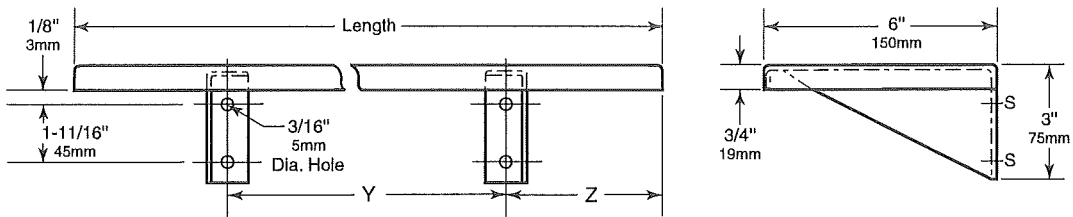
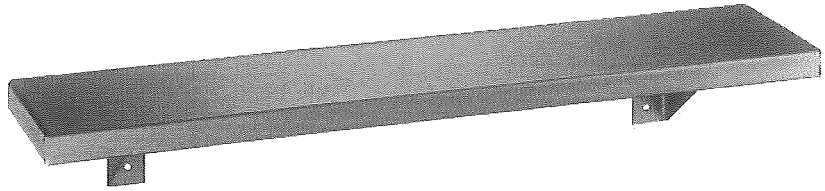
The illustrations and descriptions herein are applicable to production as of the date of this Technical Data Sheet. The manufacturer reserves the right to, and does from time to time, make changes and improvements in designs and dimensions.



Technical Data

STAINLESS STEEL SHELF

B-296



STANDARD STOCK SIZES

Model No.	Length	No. Of Brackets	Dimension Y	Dimension Z
B-296x18	18" (455mm)	2	12" (305mm)	3" (75mm)

Custom sizes available up to maximum length of 28 feet (853cm). Shelves longer than 8 feet (244cm) are furnished in multiple sections.

MATERIALS:

Shelf — 18-8, type-304, 18-gauge (1.2mm) stainless steel with satin finish. 3/4" (19mm) return edges for maximum rigidity. Front edge is hemmed for safe handling.

Mounting Brackets — 18-8, type-304, 16-gauge (1.6mm) stainless steel with satin finish. Welded to back return of shelf and secured inside front hem of shelf.

INSTALLATION:

Secure shelf to wall with sheet-metal screws (not furnished) at points indicated by an S. For plaster or dry wall construction, provide concealed backing to comply with local building codes, then secure shelf with sheet-metal screws. For other wall surfaces, provide fiber plugs or expansion shields for use with sheet-metal screws, or provide 1/8" (3mm) toggle bolts or expansion bolts.

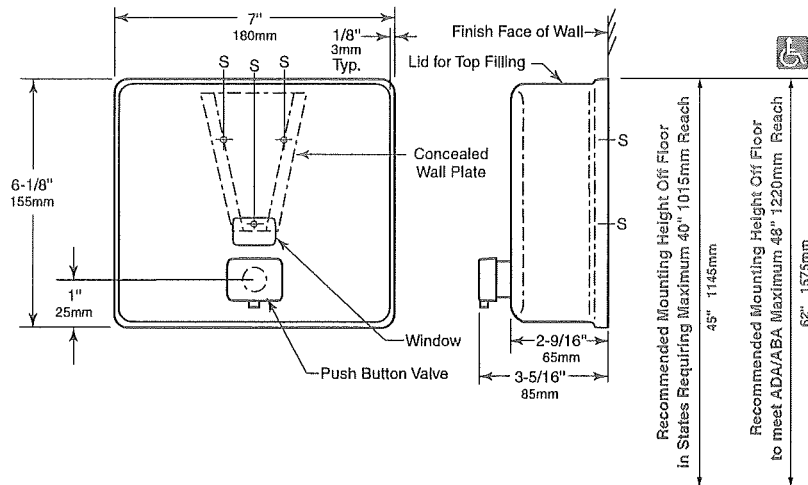
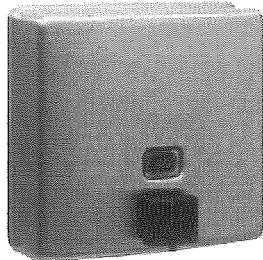
SPECIFICATION:

Shelf shall be type-304, 18-gauge (1.2mm) stainless steel with satin finish. Mounting brackets, welded to shelf, shall be 16-gauge (1.6mm) stainless steel. Shelf shall be _____ (insert length) long by 6" (150mm) wide with 3/4" (19mm) return edges. Front edge shall be hemmed for safe handling.

Stainless Steel Shelf shall be Model _____ (insert model number) of Bobrick Washroom Equipment, Inc., Clifton Park, New York; Jackson, Tennessee; Los Angeles, California; Bobrick Washroom Equipment Company, Scarborough, Ontario; Bobrick Washroom Equipment Pty. Ltd., Australia; and Bobrick Washroom Equipment Limited, United Kingdom.

The illustrations and descriptions herein are applicable to production as of the date of this Technical Data Sheet. The manufacturer reserves the right to, and does from time to time, make changes and improvements in designs and dimensions.

Revised 6/21/16 Printed in U.S.A.
© 2016 by Bobrick Washroom Equipment, Inc.

BOBRICK**Technical Data****ConturaSeries®
SURFACE-MOUNTED
SOAP DISPENSER****B-4112****MATERIALS:**

Container — Body is 18-8, Type-304, 20-gauge (1.0mm) stainless steel with satin-finish. Drawn, one-piece, seamless construction. Front has same degree of arc as other Bobrick ConturaSeries washroom accessories. Radius on corners and edges complement other ConturaSeries accessories. Back plate is 22-gauge (0.8mm) stainless steel with 20-gauge (1.0mm) stainless steel mounting bracket attached. Container body and back plate are epoxy-sealed to prevent warping and leakage. Concealed wall plate is 20-gauge (1.0mm) stainless steel. Equipped with a plastic soap refill-indicator window and a locked, hinged stainless steel lid for top filling. Capacity: 40-fl oz (1.2-L).

Valve — Black molded plastic push button. Soap head-holding mushroom valve. Stainless steel spring. U-packing seal and duckbill. Antibacterial-soap-resistant plastic cylinder.

OPERATION:

Corrosion-resistant valve dispenses commercially marketed all-purpose hand soaps. To prevent corrosion, use only chloride-free pH-neutral liquid soaps, non-iodine based soaps and do not use alcohol based sanitisers. Valve operates with one hand, without tight grasping, pinching, or twisting of the wrist, and with less than 5 pounds of force (22.2 N) to comply with accessible design guidelines (including ADAAG in U.S.A.). Window indicates when refill is required. The locked, hinged lid opens for top filling with special key provided. Concealed, vandal-resistant mounting.

INSTALLATION:

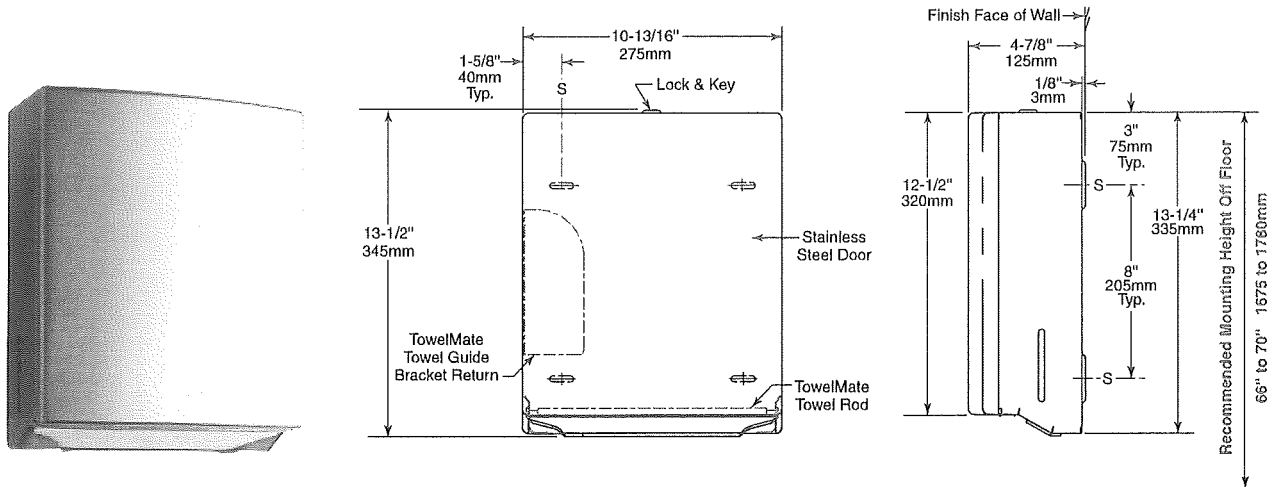
Secure wall plate to the wall with screws furnished at points indicated by an S. Slide mounting bracket of container down onto wall plate and secure unit with furnished locking-screw. For plaster or dry wall construction, provide concealed backing to comply with local building codes, then secure unit with screws furnished. For other wall surfaces, provide fiber plugs or expansion shields for use with screws furnished, or provide 1/8" (3mm) toggle bolts or expansion bolts.

Note: Surface-mount the dispenser plumb and true with valve 6" (152mm) to right or left of lavatory center. Provide 4" (102mm) minimum clearance from the lid to the underside of any horizontal projection. Push buttons should be located 44" (1120mm) maximum above the finish floor. Where a high reach is over an obstruction (countertop), the high forward reach shall be 48" (1220mm) maximum where the reach depth is 20" (510mm) maximum. Where the reach depth exceeds 20" (510mm) the high forward reach shall be 44" (1120mm) maximum and the reach depth shall be 25" (635mm) maximum.

SPECIFICATION:

Surface-mounted soap dispenser shall be Type-304 stainless steel with satin-finish. Corrosion-resistant valve shall dispense commercially marketed all-purpose hand soaps. To prevent corrosion, use only chloride-free pH-neutral liquid soaps. Valve shall be operable with one hand and with less than 5 pounds of force (22.2 N) to comply with accessible design guidelines (including ADAAG in U.S.A.). Front of soap dispenser shall have same degree of arc and match other Bobrick ConturaSeries accessories in the washroom. Radius on corners and edges of soap dispenser shall complement other Bobrick ConturaSeries washroom accessories. Container body and back plate shall be epoxy-sealed to prevent warping and leakage. Soap dispenser shall have concealed, vandal-resistant mounting. Locked, hinged stainless steel lid for top filling shall require special key to open. Capacity shall be 40-fl oz (1.2-L).

Surface-Mounted Stainless Steel Soap Dispenser shall be Model B-4112 of Bobrick Washroom Equipment, Inc., Clifton Park, New York; Jackson, Tennessee; Los Angeles, California; Bobrick Washroom Equipment Company, Scarborough, Ontario; Bobrick Washroom Equipment Pty. Ltd., Australia; and Bobrick Washroom Equipment Limited, United Kingdom.

BOBRICK**Technical Data****ConturaSeries®
SURFACE-MOUNTED
PAPER TOWEL DISPENSER****B-4262****MATERIALS:**

Cabinet — 18-8, type-304, 22-gauge (0.8mm) stainless steel. All-welded construction. Exposed surfaces have satin finish. Radius on corners of cabinet match corners and edges of door and other Bobrick ConturaSeries washroom accessories. Back has recessed mounting slots to prevent mounting screw heads from snagging towels. Rounded towel tray has hemmed opening to dispense paper towels without tearing. Cabinet inside equipped with 90° return towel guide bracket to prevent paper towels from falling forward out when door is opened for servicing. Unit equipped with TowelMate consisting of a 90° return towel guide angle inside cabinet to prevent paper towels from falling forward out when door is opened for servicing and a Nylon Rod across the center of the towel tray to dispense paper towels one at a time. Equipped with a tumbler lock keyed like other Bobrick washroom accessories. Unit shall be capable of dispensing 400 C-fold or 525 multifold paper towels 2-1/2" to 3-13/16" (64–97mm) deep.

Door — 18-8, type-304, 22-gauge (0.8mm) stainless steel with satin finish. Drawn, one-piece, seamless construction. Front of door has same degree of arc as other Bobrick ConturaSeries washroom accessories. Radius on corners and edges match corners of cabinet and other ConturaSeries accessories. Secured to cabinet with a full-length stainless steel piano-hinge.

TowelMate® Towel Rod Assembly — Consisting of a round Nylon Rod and (2) stainless steel Rod Screws for attachment, is field replaceable. Stainless steel Stop Screws (2) lock TowelMate Rod assembly in place. To retrofit TowelMate into existing installed units manufactured prior to June 2010, order TowelMate Accessory Bobrick Model No. 369-130.

OPERATION:

Unit dispenses C-fold or multifold paper towels 2-1/2" to 3-13/16" (64–97mm) deep without adjustment or use of adapters. Load paper in towel tray, and then pull one sheet of paper towel over the TowelMate towel rod and out to conceal rod and start dispense. Slots in sides of cabinet indicate refill time. After unlocking with key provided, door swings down for loading paper towels into cabinet.

INSTALLATION:

Mount unit on wall with four #10 x 1-1/4" sheet-metal mounting screws (not furnished) at points indicated by an S. For plaster or dry wall construction, provide concealed backing to comply with local building codes, then secure unit with sheet-metal screws. For other wall surfaces, provide fiber plugs or expansion shields for use with sheet-metal screws, or provide 1/8" (3mm) toggle bolts or expansion bolts.

SPECIFICATION:

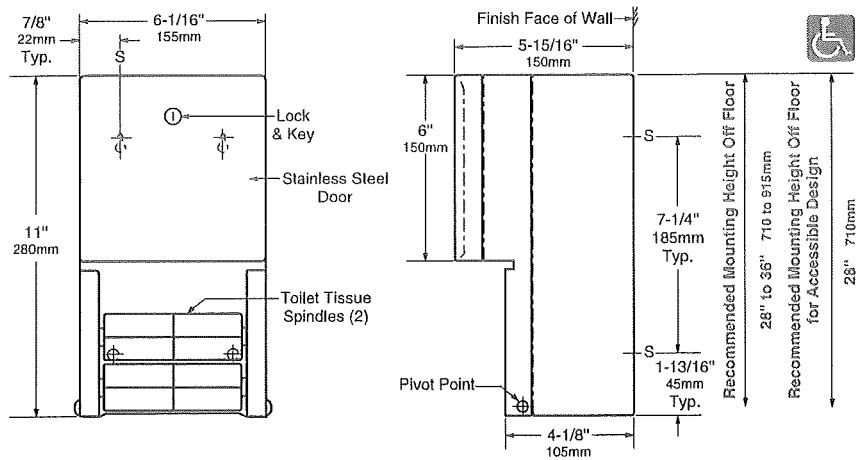
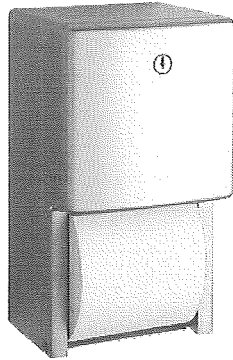
Surface-mounted paper towel dispenser shall be type-304 stainless steel with all-welded construction; exposed surfaces shall have satin finish. Front of paper towel dispenser door shall have same degree of arc as other Bobrick ConturaSeries accessories in the washroom. Radius on corners and edges of door and cabinet shall complement other Bobrick ConturaSeries washroom accessories. Unit equipped with TowelMate consisting of a 90° return towel guide bracket inside cabinet to prevent paper towels from falling forward out when door is opened for servicing and a Nylon Rod across the center of the towel tray to dispense paper towels one at a time. Door shall be drawn, one-piece, seamless construction; secured to cabinet with a full-length stainless steel piano-hinge; and equipped with a tumbler lock keyed like other Bobrick washroom accessories. Unit shall be capable of dispensing 400 C-fold or 525 multifold paper towels 2-1/2" to 3-13/16" (64–97mm) deep without adjustment or use of adapters.

Surface-Mounted Paper Towel Dispenser shall be Model B-4262 of Bobrick Washroom Equipment, Inc., Clifton Park, New York; Jackson, Tennessee; Los Angeles, California; Bobrick Washroom Equipment Company, Scarborough, Ontario; Bobrick Washroom Equipment Pty. Ltd., Australia; and Bobrick Washroom Equipment Limited, United Kingdom.



ConturaSeries® SURFACE-MOUNTED MULTI-ROLL TOILET TISSUE DISPENSER

B-4288



MATERIALS:

Cabinet — 18-8, type-304, 22-gauge (0.8mm) stainless steel. All-welded construction. Exposed surfaces have satin finish. Radius on top corners of cabinet match corners and edges of door.

Door — 18-8, type-304, 22-gauge (0.8mm) stainless steel with 18-gauge (1.2mm) stainless steel door frame. Exposed surfaces have satin finish. Front of door is drawn, one-piece, seamless construction and has same degree of arc as other Bobrick ConturaSeries washroom accessories. Radius on corners and edges of door match top corners of cabinet and other ConturaSeries accessories. Secured to cabinet with two rivets. Equipped with a flush tumbler lock keyed like other Bobrick washroom accessories.

Dispensing Mechanism, Inner Housing and Cam — 18-8, type-304, 18-gauge (1.2mm) stainless steel.

Spindles (2) — Heavy-duty, one-piece, molded ABS. Theft-resistant. Retained in dispensing mechanism when door is locked.

OPERATION:

Unit holds two standard-core toilet tissue rolls up to 5-1/4" (133mm) diameter (1800 sheets). Tissue rolls are loaded and locked into dispensing mechanism. Extra roll automatically drops in place when bottom roll is depleted. Depleted rolls can only be removed after unlocking door.

INSTALLATION:

For partitions with particleboard or other solid core, secure with four #10 x 5/8" (4.8 x 16mm) sheet-metal screws (not furnished) at points indicated by an S, or provide through-bolts, nuts, and washers.

For hollow-core metal partitions, provide solid backing into which the sheet-metal screws can be secured. If two units are installed back-to-back, then provide threaded sleeves and machine screws for the full thickness of partition.

For plaster or dry wall construction, provide concealed backing to comply with local building codes, then secure unit with sheet-metal screws.

For other wall surfaces, provide fiber plugs or expansion shields for use with sheet-metal screws, or provide 3/16" (5mm) toggle bolts or expansion bolts.

SPECIFICATION:

Surface-mounted multi-roll toilet tissue dispenser shall be type-304 stainless steel with all-welded construction, including dispensing mechanism, inner housing and cam; exposed surfaces shall have satin finish. Front of toilet tissue dispenser door shall be drawn, one-piece, seamless construction and shall have same degree of arc and match other Bobrick ConturaSeries® accessories in the washroom. Radius on corners and edges of door and cabinet shall complement other Bobrick ConturaSeries® washroom accessories. Door shall be secured to cabinet with two rivets and equipped with a flush tumbler lock keyed like other Bobrick washroom accessories. Unit shall dispense two standard-core toilet tissue rolls up to 5-1/4" (133mm) diameter (1800 sheets). Extra roll shall automatically drop in place when bottom roll is depleted. Unit shall be equipped with two theft-resistant, heavy-duty, one-piece, molded ABS spindles.

Surface-Mounted Multi-Roll Toilet Tissue Dispenser shall be Model B-4288 of Bobrick Washroom Equipment, Inc., Clifton Park, New York; Jackson, Tennessee; Los Angeles, California; Bobrick Washroom Equipment Company, Scarborough, Ontario; Bobrick Washroom Equipment Pty. Ltd., Australia; and Bobrick Washroom Equipment Limited, United Kingdom.

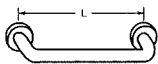
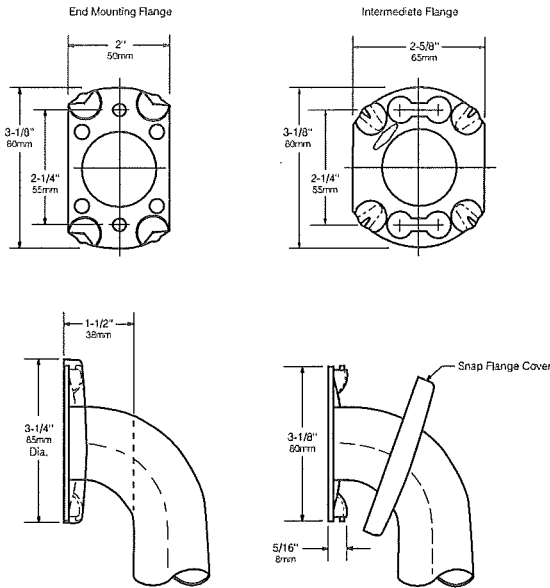
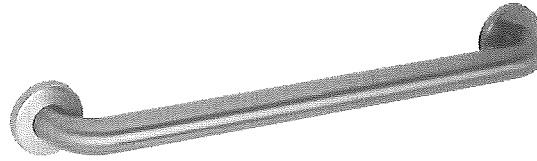


1½" (38mm) DIAMETER STAINLESS STEEL GRAB BARS WITH SNAP FLANGE

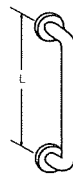
B-6806 SERIES

Specify Finish Required:

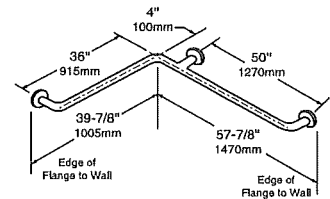
- Satin finish
- Satin finish with peened gripping surface; add suffix .99 to model number



HORIZONTAL



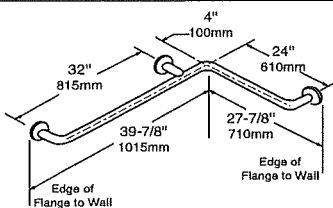
VERTICAL



**TWO-WALL WHEELCHAIR
COMPARTMENT**

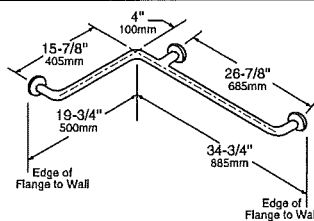
B-6806 x 12, 18, 24, 30, 36, 42, 48

B-68137



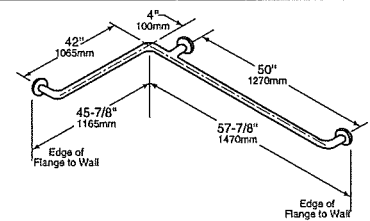
**HORIZONTAL TUB / SHOWER
COMPARTMENT BAR 24 x 36**

B-68616



**HORIZONTAL TWO-WALL BAR
for Shower Stall**

B-6861



**TWO-WALL
TOILET COMPARTMENT BAR 42 x 54**

B-6897

continued . . .

MATERIALS:

Grab Bar — 18-8 S, type-304, 18-gauge (1.2mm) stainless steel tubing with satin-finish. 1-1/2" (38mm) outside diameter. Ends are heliarc welded to flanges. Clearance between the grab bar and wall is 1-1/2" (38mm).

Concealed Mounting Flanges — 18-8 S, type-304, 11-gauge (3.2mm) thick, stainless steel plate; end flanges 2" x 3-1/8" (50 x 80mm) with holes for attachment to wall. Intermediate flanges 2-5/8" x 3-1/8" (65 x 80mm) wide x 3-1/8" (80mm) diameter.

Snap Flange Covers — 18-8 S, type-304, 22-gauge (0.8mm) drawn stainless steel with satin-finish. 3-1/4" (85mm) diameter x 1/2" (13mm) deep. Each cover snaps over mounting flange to conceal mounting screws.

STRENGTH:

Bobrick grab bars that provide 1-1/2" (38mm) clearance from wall can support loads in excess of 900 pounds (408kg) if properly installed. Other grab bar configurations can support loads in excess of 250 pounds (113kg) if properly installed, complying with accessible design (including ADAAG in the U.S.A.) for structural strength

Safety Warning: Grab bars are no stronger than the anchors and walls to which they are attached and, therefore, must be firmly secured in order to support the loads for which they are intended. To avoid potential injury, the building owner or maintenance personnel should remove the grab bar from service if the grab bar is not adequately secured to wall or if there is any observed damage to the welds.

INSTALLATION:

Provide concealed anchor device or backing as specified or required in accordance with local building codes before wall is finished. Fasten concealed mounting flanges to anchor device or backing with at least two screws opposing each other in each flange. Snap flange covers over each mounting flange to conceal mounting screws. Concealed anchor devices and mounting screws are not included with Bobrick grab bars and must be specified as an accessory.

For Grab Bars with an Intermediate Flange(s), Pull Snap-Flange Covers away from mounting flanges. Place grab bar in desired mounting location. Use intermediate flange as a template to mark location of mounting screws at intermediate flange only. Mark screw locations at the center of the slot in the middle of the double-keyhole shaped mounting holes (2) in the intermediate flange. Remove grab bar from wall. Drive the intermediate flange mounting screws into wall at marked locations. **Note:** Make sure to leave a space of just over 1/8" (3.17mm) between the underside of the screw head and the wall. Install grab bar on the wall by placing the round ends of the intermediate flange double-keyhole shaped mounting holes over the mounting screws (2) are located in the middle of the flange slots. Install the mounting screws into the wall at the end flanges and secure tightly. Tighten the mounting screws at the intermediate flange. Press all snap-flange covers into place to conceal mounting flanges.

Note: Recommend use of 1/4" or #14 sheet metal or wood screws to install Intermediate Flange. #12 screws may also be used.

Important Notes:

- Mounting Kits** — Bobrick offers a mounting kit for installing grab bars; **one Bobrick mounting kit is required for each flange.**

Mounting Kit No.	Description
252-30	Consists of # (3) 14 x 2 1/2" type-304 stainless steel, Phillips round-head, sheet-metal screws.

- Grab Bar Fastener** — Bobrick offers a grab bar fastening system that secures all Bobrick grab bar series; **one Bobrick fastener is required for each flange.** Install grab bar without backing in wall requires minimum 5/8" (16mm) thick painted or tiled drywall.

WingIt™ Fastener No.	Description
251-4	Consists of 10–32 x 5/16" round-head, Phillips 18/8 stainless steel screws. (1) WingIt grab bar fastener.

- Optional Anchor Device** — Bobrick grab bar anchor device includes stainless steel machine screws to be used for attaching grab bars to anchors. **one Bobrick concealed anchor device is required for each flange.**

Optional Anchor No.	Description
2583	Anchor for 3/4" to 1" (19-25mm) panel 1 anchor required for each flange.
2586	Anchor for 1/2" to 1" (13mm) panel 1 anchor required for each flange.

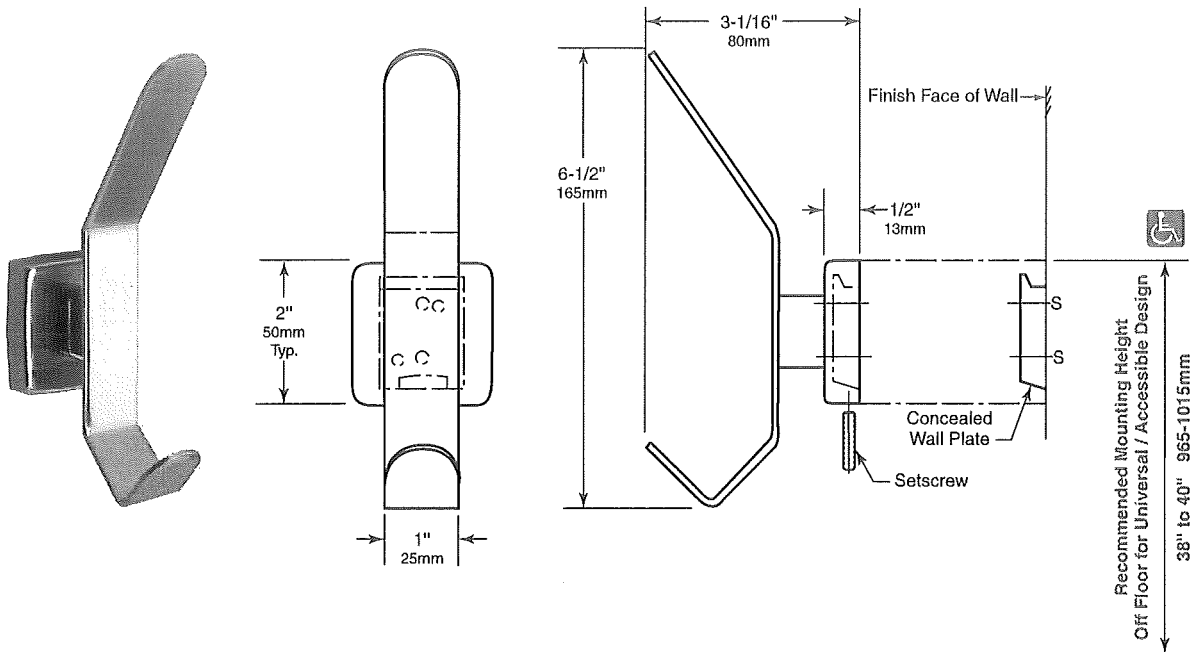
SPECIFICATION:

Grab bar shall be type-304 stainless steel with satin-finish. Grab bar shall have 18-gauge (1.2mm) wall thickness and 1-1/2" (38mm) outside diameter. Clearance between the grab bar and wall shall be 1-1/2" (38mm). Concealed mounting flanges shall be 11-gauge (3.2mm) thick stainless steel plate, 2" x 3-1/8" (50 x 80mm), and equipped with at least two screw holes for attachment to wall. Flange covers shall be 22 gauge (0.8mm), 3-1/4" (85mm) diameter x 1/2" (13mm) deep, and shall snap over mounting flange to conceal mounting screws and/or WingIt fasteners. Ends of grab bar shall pass through concealed mounting flanges and be heliarc welded to form one structural unit. Grab bar shall comply with accessible design (including ADAAG in the U.S.A.) for structural strength.

Grab Bar shall be Model _____ (insert model number) of Bobrick Washroom Equipment, Inc., Clifton Park, New York; Jackson, Tennessee; Los Angeles, California; Bobrick Washroom Equipment Company, Scarborough, Ontario; Bobrick Washroom Equipment Pty. Ltd., Australia; and Bobrick Washroom Equipment Limited, United Kingdom.

BOBRICK**Technical Data****SURFACE-MOUNTED
HAT AND COAT HOOK****B-682
B-6827**

Specify Model Required: Model B-682 Bright polished stainless steel
 Model B-6827 Satin-finish stainless steel

**MATERIALS:**

Flange and Support Arm — 18-8, type-304, 22-gauge (0.8mm) stainless steel. Concealed, 16-gauge (1.6mm) stainless steel mounting bracket. All-welded construction. Secured to wall plate with a stainless steel setscrew.

Concealed Wall Plate — 18-8, type-304, 16-gauge (1.6mm) stainless steel.

Hook — 18-8, type-304, 12-gauge (2.8mm) stainless steel. Welded to the support arm.

INSTALLATION:

To remove concealed wall plate from back of flange and mounting bracket, loosen setscrew. Mount wall plate so prongs are at top; secure with two sheet-metal screws, furnished by manufacturer, at points indicated by an S. Engage mounting bracket onto prongs of wall plate, then secure into position by tightening setscrew at bottom of flange.

For partitions with particle-board or other solid core, secure with sheet-metal screws furnished, or provide through-bolts, nuts, and washers.

For hollow-core metal partitions, provide solid backing into which the furnished sheet-metal screws can be secured.

For plaster or dry wall construction, provide concealed backing to comply with local building codes, then secure unit with sheet-metal screws furnished.

For other wall surfaces, provide fiber plugs or expansion shields for use with sheet-metal screws furnished, or provide 1/8" (3mm) toggle bolts or expansion bolts.

SPECIFICATION:

Surface-mounted hat and coat hook shall be type-304 stainless steel with _____ (insert one: bright polished or satin) finish. Flange and support arm shall be 22 gauge (0.8mm) and equipped with a concealed, 16-gauge (1.6mm) mounting bracket that is secured to a concealed, 16-gauge (1.6mm) wall plate with a stainless steel setscrew. Hook shall be 12 gauge (2.8mm), welded to the support arm.

Surface-Mounted Hat And Coat Hook shall be Model _____ (insert model number) of Bobrick Washroom Equipment, Inc., Clifton Park, New York; Jackson, Tennessee; Los Angeles, California; Bobrick Washroom Equipment Company, Scarborough, Ontario; Bobrick Washroom Equipment Pty. Ltd., Australia; and Bobrick Washroom Equipment Limited, United Kingdom.



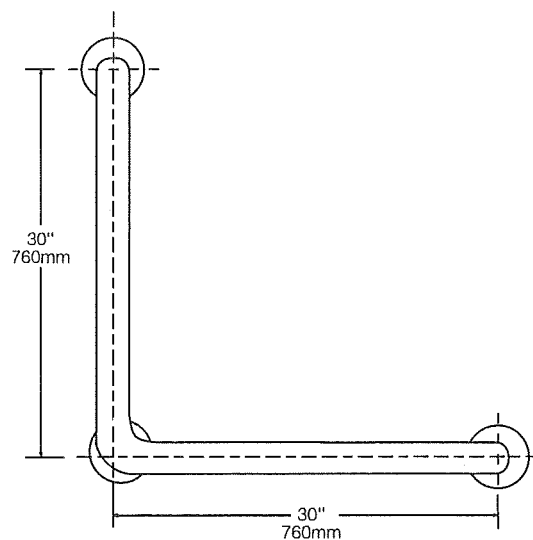
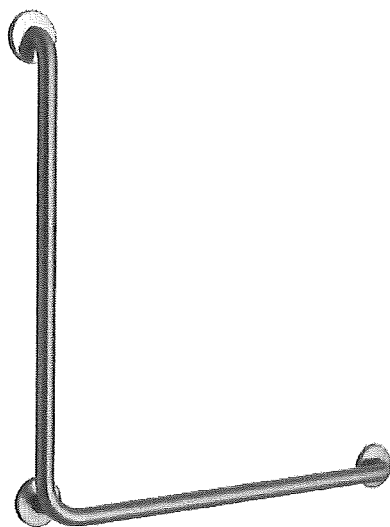
Technical Data

**1½" (38mm) DIAMETER
STAINLESS STEEL
30" x 30" (762 x 762mm)
90-DEGREE GRAB BAR**

**B-6898
B-6898.99**

Specify Finish Required:

- Satin finish
- Satin finish with peened gripping surface; add suffix .99 to model number



MATERIALS:

Grab Bar — 18-8, type-304, 18-gauge (1.2mm) stainless steel tubing with satin-finish. 1-1/2" (38mm) outside diameter. Ends are heliarc welded to flanges. Clearance between the grab bar and wall is 1-1/2" (38mm).

Concealed Mounting Flanges — 18-8, type-304, 1/8" (3mm) thick, stainless steel plate; end flanges 2" x 3-1/8" (50 x 80mm) with two holes for attachment to wall. Intermediate flanges 2-5/8" x 3-1/8" (65 x 80mm) wide x 3-1/8" (80mm) diameter.

Snap Flange Covers — 18-8, type-304, 22-gauge (0.8mm) drawn stainless steel with satin-finish. 3-1/4" (85mm) diameter x 1/2" (13mm) deep. Each cover snaps over mounting flange to conceal mounting screws.

STRENGTH:

Bobrick grab bars that provide 1-1/2" (38mm) clearance from wall can support loads in excess of 900 pounds (408kg) if properly installed. Other grab bar configurations can support loads in excess of 250 pounds (113kg) if properly installed, complying with accessible design (including ADAAG in the U.S.A.) for structural strength

Safety Warning: Grab bars are no stronger than the anchors and walls to which they are attached and, therefore, must be firmly secured in order to support the loads for which they are intended. To avoid potential injury, the building owner or maintenance personnel should remove the grab bar from service if the grab bar is not adequately secured to wall or if there is any observed damage to the welds.

continued . . .

INSTALLATION:

Provide concealed anchor device or backing as specified or required in accordance with local building codes before wall is finished. Fasten concealed mounting flanges to anchor device or backing with two screws in each flange. Snap flange covers over each mounting flange to conceal mounting screws. Concealed anchor devices and mounting screws are not included with Bobrick grab bars and must be specified as an accessory.

For Grab Bars with an Intermediate Flange(s), Pull Snap-Flange Covers away from mounting flanges. Place grab bar in desired mounting location. Use intermediate flange as a template to mark location of mounting screws at intermediate flange only. Mark screw locations at the center of the slot in the middle of the double-keyhole shaped mounting holes (2) in the intermediate flange. Remove grab bar from wall. Drive the intermediate flange mounting screws into wall at marked locations. **Note:** Make sure to leave a space of just over 1/8" (3.17mm) between the underside of the screw head and the wall. Install grab bar on the wall by placing the round ends of the intermediate flange double-keyhole shaped mounting holes over the mounting screws (2) are located in the middle of the flange slots. Install the mounting screws into the wall at the end flanges and secure tightly. Tighten the mounting screws at the intermediate flange. Press all snap-flange covers into place to conceal mounting flanges.

Note: Recommend use of 1/4" or #14 sheet metal or wood screws to install Intermediate Flange. #12 screws may also be used.

Important Notes:

1. **Mounting Kits** — Bobrick offers a mounting kit for installing grab bars; **one Bobrick mounting kit is required for each flange.**

Mounting Kit No.	Description
252-30	Consists of #14 x 2½" type-304 stainless steel, Phillips round-head, sheet-metal screws.

2. **Grab Bar Fastener** — Bobrick offers a grab bar fastening system that secures all Bobrick grab bar series; **one Bobrick fastener is required for each flange.** Install grab bar without backing in wall requires minimum 5/8" (16mm) thick painted or tiled drywall.

WingIt™ Fastener No.	Description
251-4	Consists of 10–32 x 5/16" round-head, Phillips 18/8 stainless steel screws. (1) WingIt grab bar fastener.

3. **Optional Anchor Device** — Bobrick grab bar anchor device includes stainless steel machine screws to be used for attaching grab bars to anchors. **one Bobrick concealed anchor device is required for each flange.**

Optional Anchor No.	Description
2583	Anchor for ¾" to 1" (19-25mm) panel 1 anchor required for each flange.
2586	Anchor for ½" to 1" (13mm) panel 1 anchor required for each flange.

SPECIFICATION:

Grab bar shall be type-304 stainless steel with satin-finish. Grab bar shall have 18-gauge (1.2mm) wall thickness and 1-1/2" (38mm) outside diameter. Clearance between the grab bar and wall shall be 1-1/2" (38mm). Concealed mounting flanges shall be 1/8" (3mm) thick stainless steel plate, 2" x 3-1/8" (50 x 80mm), and equipped with two screw holes for attachment to wall. Flange covers shall be 22 gauge (0.8mm), 3-1/4" (85mm) diameter x 1/2" (13mm) deep, and shall snap over mounting flange to conceal mounting screws and/or WingIt fasteners. Ends of grab bar shall pass through concealed mounting flanges and be heliarc welded to form one structural unit. Grab bar shall comply with accessible design (including ADAAG in the U.S.A.) for structural strength.

Grab Bar shall be Model _____ (insert model number) of Bobrick Washroom Equipment, Inc., Clifton Park, New York; Jackson, Tennessee; Los Angeles, California; Bobrick Washroom Equipment Company, Scarborough, Ontario; Bobrick Washroom Equipment Pty. Ltd., Australia; and Bobrick Washroom Equipment Limited, United Kingdom.