

GENERAL NOTES
1. DO NOT SCALE DRAWINGS. FIGURED DIMENSIONS ONLY TO BE USED.
2. IT IS THE RESPONSIBILITY OF THE CONTRACTOR TO CHECK AND VERIFY ALL DIMENSIONS ON SITE AND REPORT ANY DISCREPANCIES TO THE ARCHITECT.
3. CONTRACTOR DESCRIBED UNDER THIS CONTRACT TO COMPLY WITH THE MOST CURRENT EDITION OF THE ONTARIO BUILDING CODE AND/OR NATIONAL BUILDING CODE AND OTHER CODES AND BY-LAWS IN EFFECT.



Atlanra Engineering Group Inc.
Professional Engineering, Electrical, Training and
159 Cumberland Road, Unit 1, Ottawa, Ontario, K2J 7J4
Phone: (613) 232-0093 Fax: (613) 232-5759

ISSUE RECORD

No	DATE	REVISION
1	13-05-2016	ISSUED FOR CLIENT REVIEW
2	28-09-2018	ISSUED FOR REVIEW
3	27-06-2019	ISSUED FOR BUILDING PERMIT
4	8-11-2019	ISSUED FOR TENDER

CLIENT:
ENTERPRISE RENT-A-CAR
RYAN FIRLOTTE
T: 613-274-6934
F: 1-800-495-2412

CONSULTANTS:
HOLZMAN CONSULTANTS INC.
(LAND DEVELOPMENT CONSULTANTS)
1076 CASTLE HILL CRES
OTTAWA, ONTARIO
K2C 2A8
T: 613-226-1386

MMM GROUP LTD
(CIVIL ENGINEERING)
1145 HUNT CLUB ROAD, SUITE 300
OTTAWA, ONTARIO
K1V 0Y3
T: 613-738-7200
F: 613-368-8710

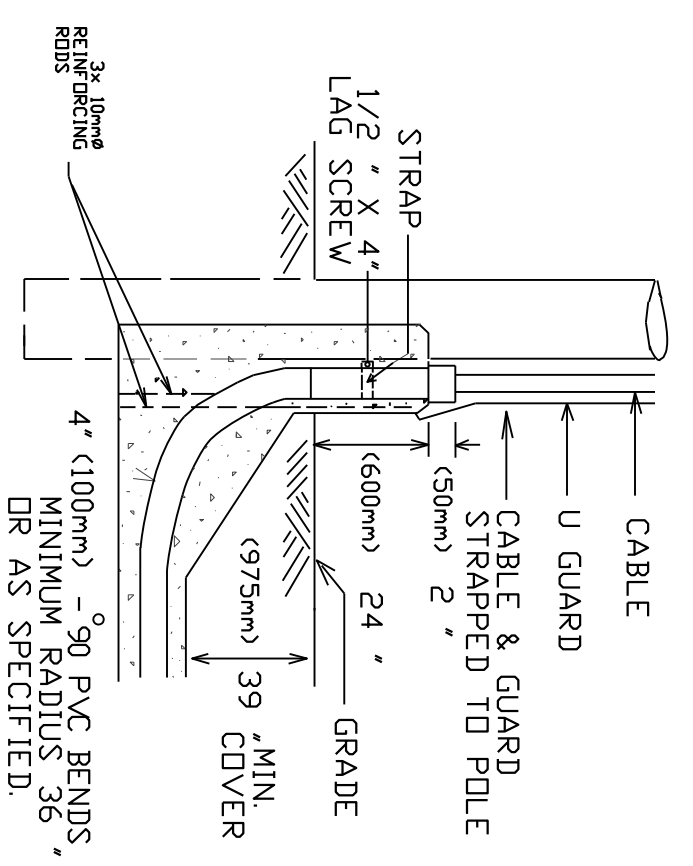
VALLEY ENGINEERING
(STRUCTURAL ENGINEERING)
521 DICKINSON AVENUE
OTTAWA, ONTARIO
K1V 7J4
T: 613-521-9002

ANTARES ENGINEERING
(M&E ENGINEERING)
1-159 COLONNADE ROAD
NEPEAN, ONTARIO
K2E 7L4
T: 613-723-6034

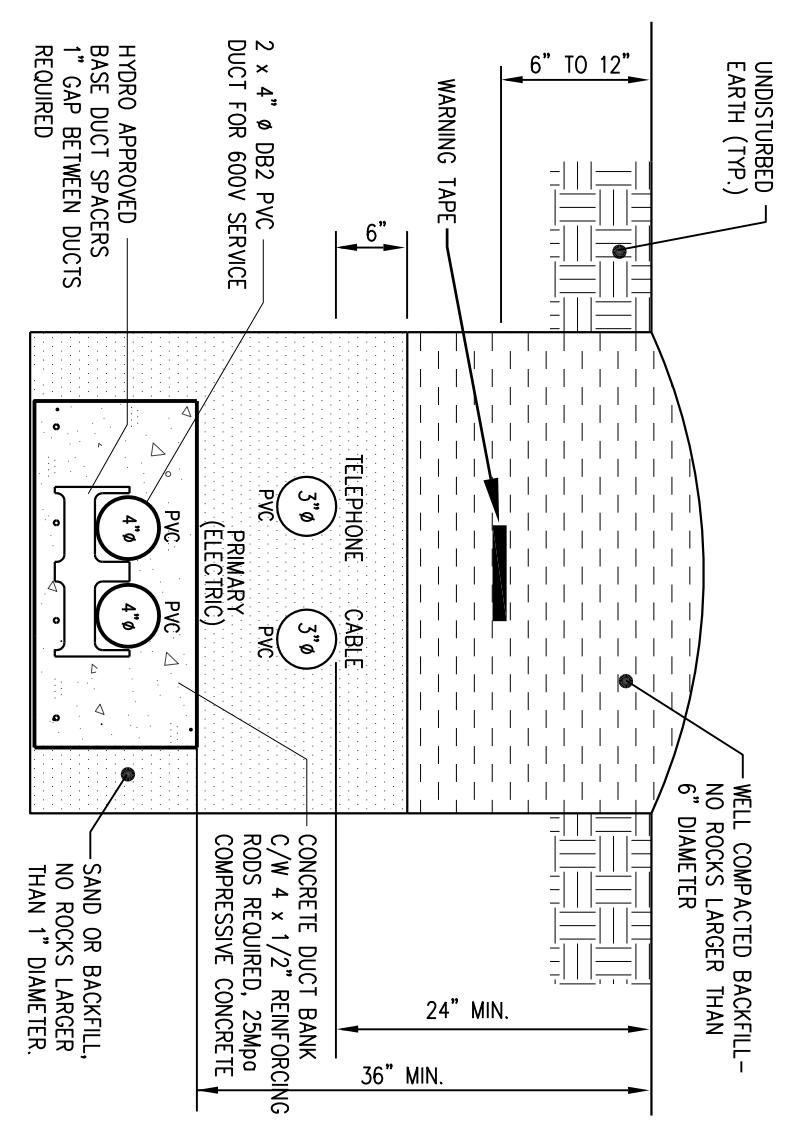
ELECTRICAL DRAWING NOTES:

- NEW EXTERIOR LIGHT FIXTURES TYPE "A", "B" & TYPE "C", FOR DETAILS REFER TO DRAWING "E-2". NEW EXTERIOR PARKING LIGHTING TO BE CONTROLLED BY NEW PROGRAMMABLE DIGITAL 7-DAY TIMER LOCATED IN LOCATION OF NEW ELECTRICAL ROOM. FOR EQUIPMENT LOCATIONS AND DISTRIBUTIONS DETAILS, REFER TO THIS AND E-2 DRAWING FOR DETAILS.
- NEW EXTERIOR BUILDING SIGN, PROVIDE DEDICATED CIRCUIT FOR LIGHTING 120V, 1Φ, 60HZ, 15A CAPACITY. PROVIDE MINIMUM AWG#8 COPPER WIRING IN 1" PVC RIGID CONDUIT.
- MAIN BUILDING SECONDARY POWER BURIED CONDUITS C/W CABLES REFER TO DISTRIBUTION DIAGRAM AND TRENCHING DETAIL BELOW FROM EXISTING HYDRO POLE TO NEW MAIN BUILDING ELECTRICAL ROOM BURIED PAD. MAIN BUILDING ELECTRICAL ROOM BURIED PAD CONDUITS FOR FUTURE TV AND BELL WIRING FOR TRENCHING DETAIL SEE BELOW FROM EXISTING SERVICE POLE TO NEW MAIN BUILDING ELECTRICAL ROOM (TYPICAL).
- APPROXIMATE LOCATION OF EXISTING HYDRO AND SERVICE POLE LOCATED ON HUNTMAR ROAD.
- NEW EXTERIOR BUILDING AND PARKING SITE LIGHTING PROVIDE DEDICATED CIRCUIT FROM PANEL "DP-1" PROVIDE MINIMUM AWG#8 COPPER WIRING IN 1" PVC RIGID CONDUIT.

3 POLE LATERAL CONSTRUCTION
SCALE: N.T.S.



2 CONCRETE DUCT BANK CABLE TRENCH CONSTRUCTION
SCALE: N.T.S.



ELECTRICAL GENERAL NOTES:

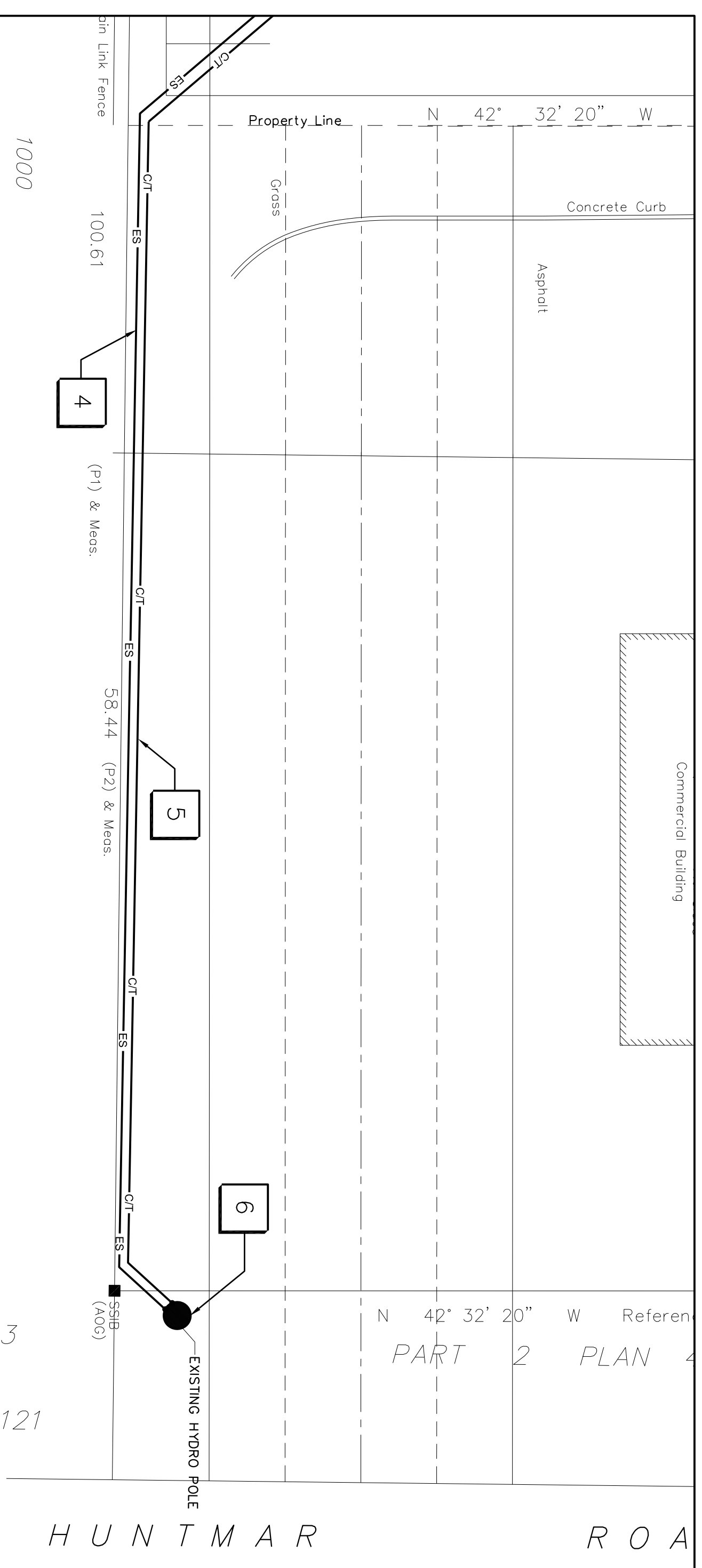
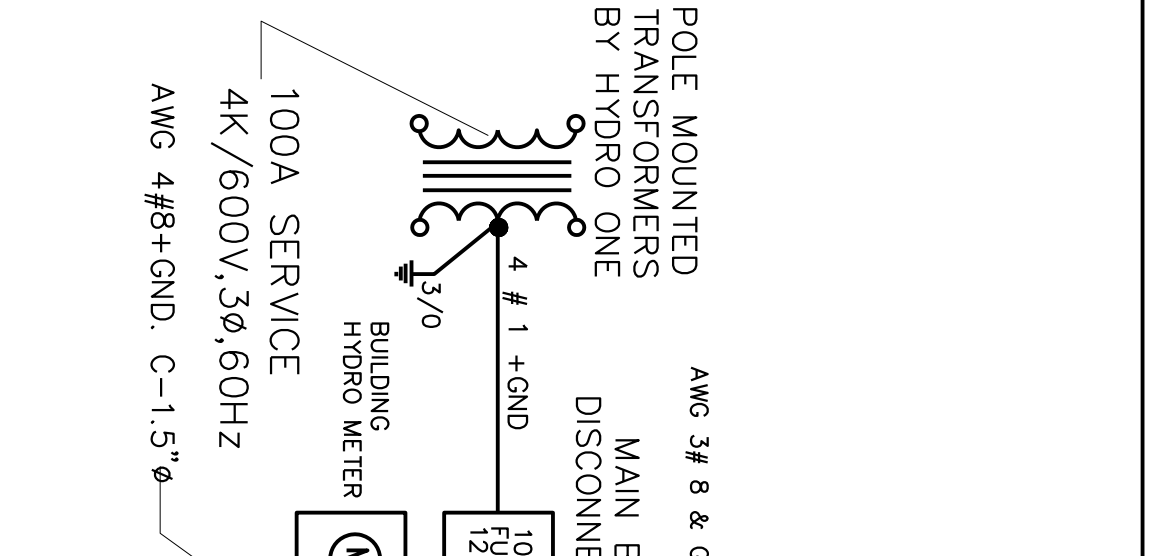
- PRODUCTS**
 - CONDUIT: RIGID PVC TYPE DBI WITH BELL AND SPIGOT JOINTS. BELOW 50 MM PVC SCHEDULE 40 PIPE MAY BE USED.
 - CABLE MARKERS: LABELLED NON DEGRADABLE TAPE
 - CONDUITS & CABLE PROTECTION: 38 X 140 MM PRESSURE TREATED LUMBER IF REQUIRED OR 50 MM THICK POURED CONCRETE NOT LESS THAN 50 MM BEYOND CONDUCTOR OR CONDUIT.
- INSTALLATION**
 - GENERAL: INSTALL TO COMPLY WITH ELECTRICAL SAFETY CODE AND HYDRO ONE UTILITY STANDARDS.
 - CONDUITS:
 - INSTALL AT MINIMUM SLOPE OF 1:400 TO DRAINS OR DRY SUMPS.
 - INSTALL IN BEDDING AND BACKFILL IN ACCORDANCE WITH UTILITY STANDARDS
 - PROVIDE CABLE MARKERS 200 MM BELOW GRADE AT ALL BURIED SERVICES
 - PROVIDE FULL ROUTE IN EACH DUCT.
 - CLEAN CONDUITS BEFORE PULLING CABLES.

LOAD SUMMARY

BASIC LOAD OFFICE 91m ² x 50W/m ²	= 4.6 kW
BASIC LOAD WAREHOUSE 153m ² x 5W/m ²	= .8 kW
BASIC LOAD COMMERCIAL 153m ² x 25W/m ²	= 3.9 kW
A/C LOAD 38m ² / TON OFFICE	= 8.5 kW
FANS & OTHER EQUIPMENT	= 10 kW
EXTERIOR & PERKING LIGHTING	= 12 kW
TOTAL: 39.8 kW @ 40A	

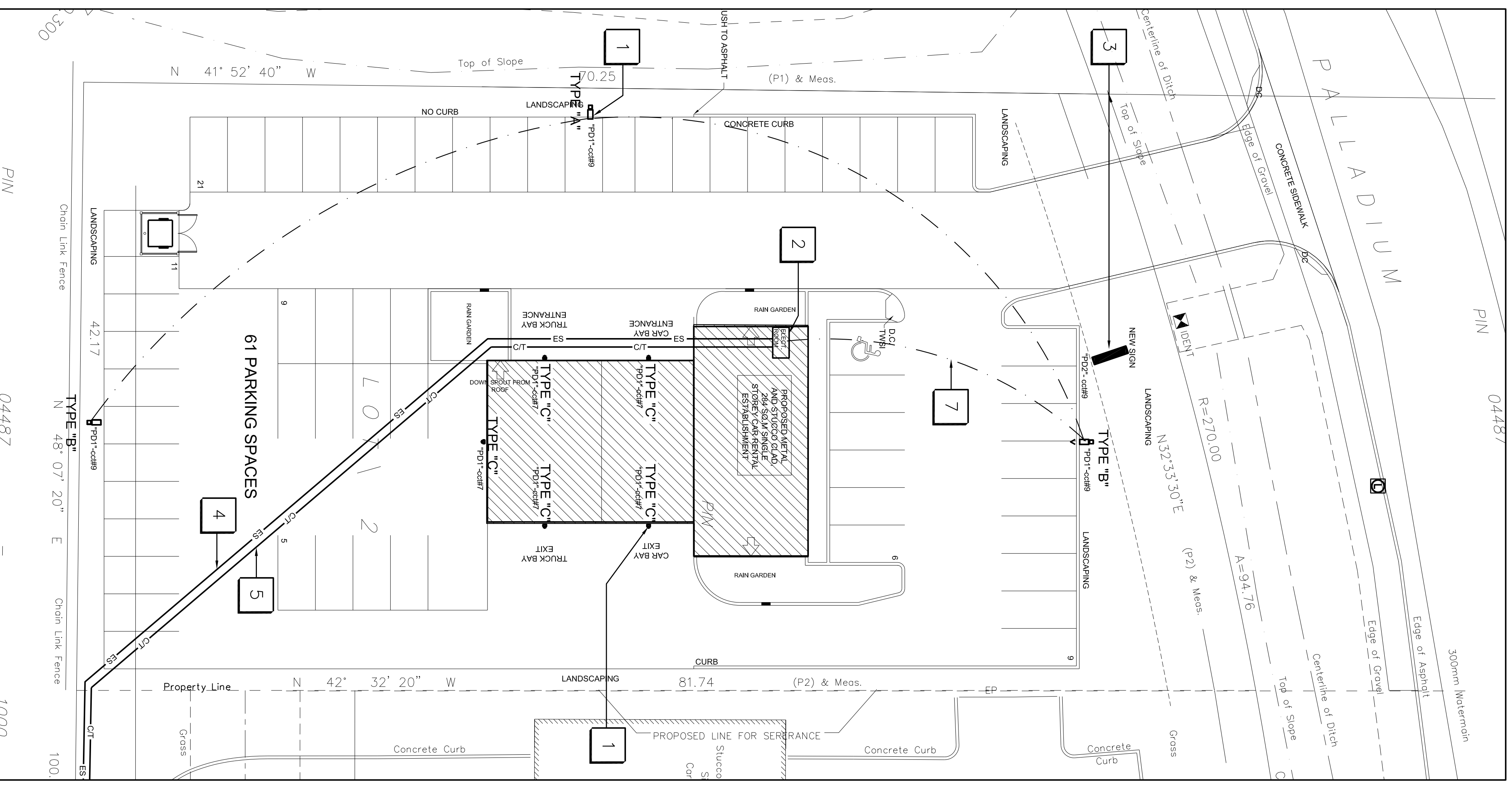
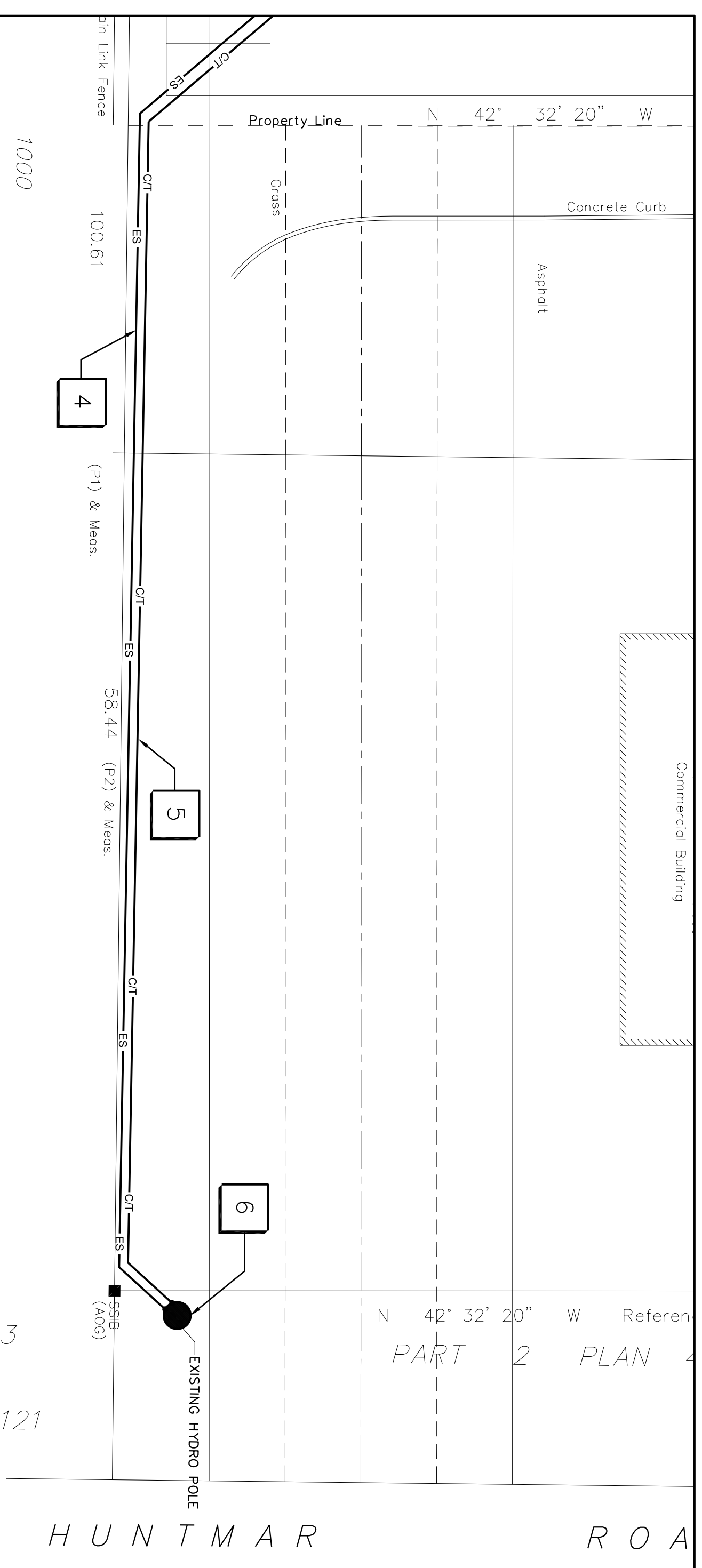
*** 100A, 347/600V, 3Φ, 60HZ, 4W BUILDING SERVICE REQUIRED

4 MAIN ELECTRICAL DISTRIBUTION DIAGRAM
SCALE: N.T.S.



SITE PLAN ELECTRICAL LEGEND:

SYMBOL	DESCRIPTION
NEW	
ES	SECONDARY MAIN ELECTRICAL SERVICE
HW	HIGH VOLTAGE ELECTRICAL SERVICE
—	HYDRO CONDUIT
—	ELECT. MAIN FEEDER OR BRANCH CIRCUIT
—	TELEPHONE 100mm PVC CONDUIT
—	CABLE 100mm PVC CONDUIT
—	ELECTRIC METERS
—	BELL PEGS/STAL
—	MAN HOLE
—	POST TOP LIGHT FIXTURE
—	UTILITY POLE
—	WALL MOUNT LIGHT FIXTURE
—	PAN/DAUNT TRANSFORMER



1A PART OF ELECTRICAL SITE PLAN
SCALE: 1 : 200

1B PART OF ELECTRICAL SITE PLAN
SCALE: 1 : 200

ELECTRICAL

SCALE	CHECKED BY	DATE	DRAWING NO.
AS NOTED	J.C.L.	15-6-10	E-1

DRAWING TITLE:
ELECTRICAL SITE PLAN
MAIN POWER SERVICE

PROJECT TITLE:
225 HUNTMAR DRIVE
HUNTMAR/PALLADIUM DR. ENTERPRISE