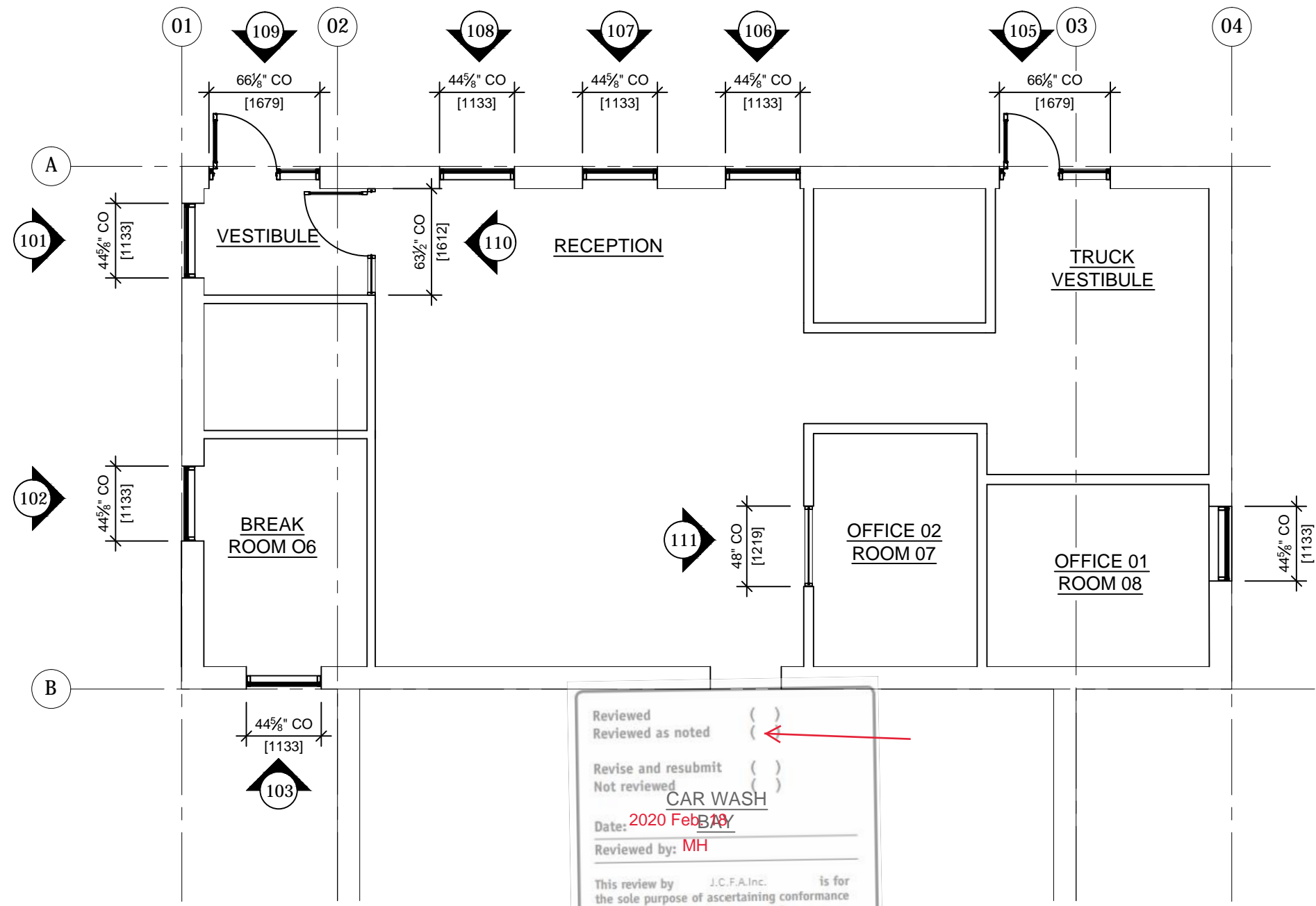


NOTE - ALL DIMENSIONS TO BE SITE VERIFIED



- NOTES:**
- EXTERIOR FRAMING - ALUMICOR 2200 SERIES 2" x 6" OVERALL THERMALLY BROKEN IN BLACK ANODIZED FINISH
 - INTERIOR FRAMING - ALUMICOR 1800 SERIES 1 3/4" x 4 1/2" FLUSH GLAZED SYSTEM IN BLACK ANODIZED FINISH
 - EXTERIOR DOORS - ALUMICOR T400A SERIES 38" x 84" MEDIUM STILE INSULATED IN BLACK ANODIZED FINISH
 - INTERIOR DOOR - ALUMICOR 400A SERIES 38" x 84" MEDIUM STILE IN BLACK ANODIZED FINISH
 - EXTERIOR DOOR HARDWARE - CONTINUOUS HINGE, STANDARD PUSH/PULL, MS LOCK, CONSTRUCTION CYLINDER AND THUMBTURN, FINAL KEYING BY OTHERS, 6" THRESHOLD AND SWEEP
 - INTERIOR DOOR HARDWARE - CONTINUOUS HINGE, STANDARD PUSH/PULL, STANDARD DOOR CLOSER
 - EXTERIOR GLAZING - 6mm CLEAR ANNEALED, ARGON GAS, LOW E COATING (3), 6mm CLEAR ANNEALED, DOOR GLAZING IS TEMPERED
 - INTERIOR GLAZING - 6mm CLEAR ANNEALED, DOOR GLAZING IS TEMPERED
 - INCLUDED - PERIMETER FOAM, EXTERIOR CAULKING AND SILL FLASHING
 - EXCLUDED - DRIP FLASHING, BLOCKING AND AUTO OPERATORS

G.C. coordinate owner's keying requirements.

Door and sidelight

Door and sidelight

Reviewed ()
 Reviewed as noted ()
 Revise and resubmit ()
 Not reviewed ()
 CAR WASH
 Date: 2020 Feb 14
 Reviewed by: MH

This review by J.C.F.A.Inc. is for the sole purpose of ascertaining conformance with the general design concept for architectural features only, and does not in any way constitute review of the design of engineering elements which form part of the contract documents prepared by others. This review shall not mean that J.C.F.A.Inc. approves the detailed design inherent in the shop drawings, responsibility for which shall remain with the Contractor submitting same, and such review shall not relieve the Contractor of the responsibility for errors or omissions in the shop drawings or of the Contractor's responsibility for all requirements of the contract documents. The Contractor is responsible for dimensions to be confirmed and corrected at the job site, for information that pertains solely to fabrication processes or to techniques of construction and installation, and for coordination of the work of all trades.

Jason C. Flynn Architect Inc. (J.C.F.A.Inc.)

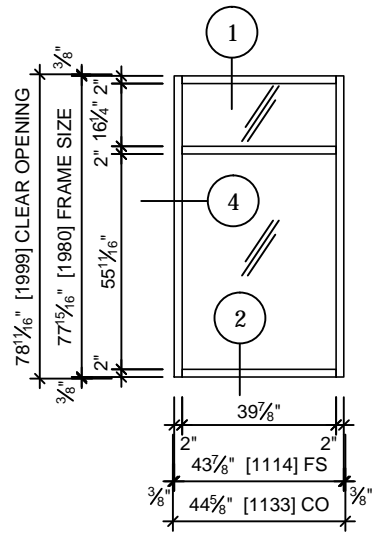
REVIEWED
 By Pat Newton at 2:52 pm, Feb 14, 2020

Centrum Glass & Door
 374-7 SWEETNAM DRIVE
 STITTVILLE, ONT. K2S 1G3
 Phone (613) 831-4011
 Fax (613) 8310--6088

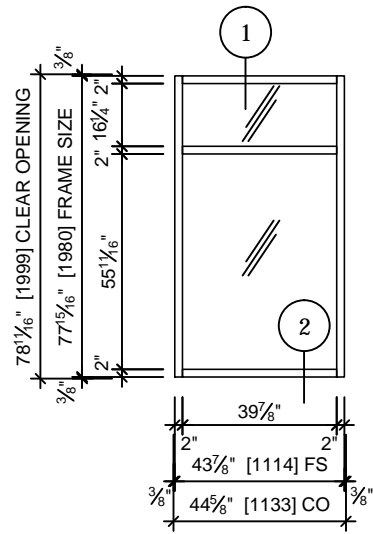
PROJECT ENTERPRISE RENT-A-CAR
 225 HUNTMAR DRIVE
 OTTAWA, ONTARIO
 DWG. NAME PARTIAL PLAN AND NOTES

GENERAL CONTRACTOR								
TAL-CO BUILDING INNOVATIONS LTD.								
DRAWN BY	CHECKED BY	DATE	CONTRACT #	PAGE	1	ISSUED FOR APPROVAL	FEB. 14/20	
DC	LV	FEB. 14/20		1 OF 4	No.	REVISION	DATE	

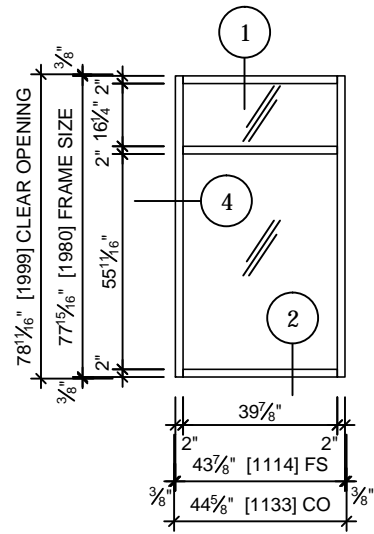
NOTE - ALL DIMENSIONS TO BE SITE VERIFIED



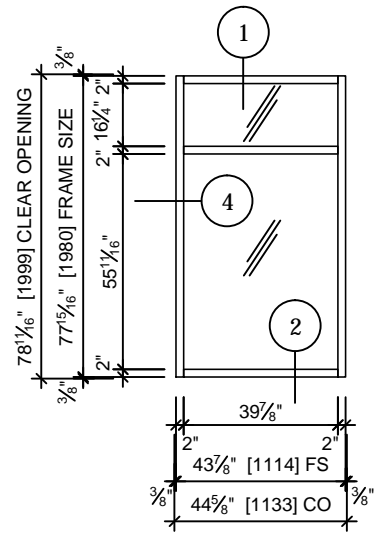
FRAME 101
1 REQUIRED AS SHOWN



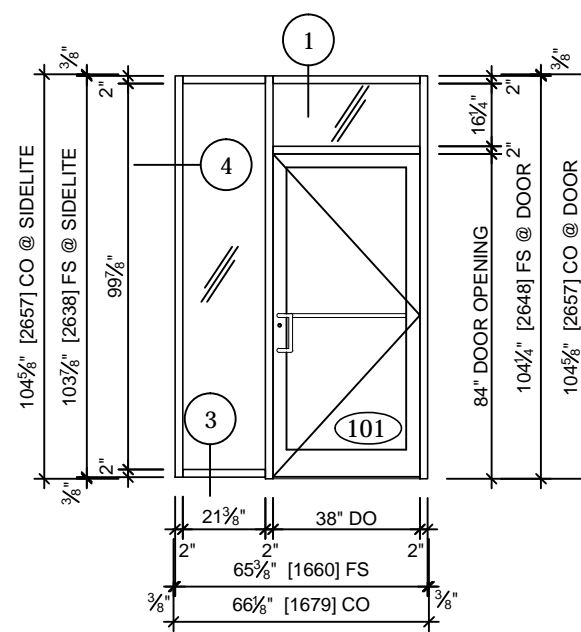
FRAME 102
1 REQUIRED AS SHOWN



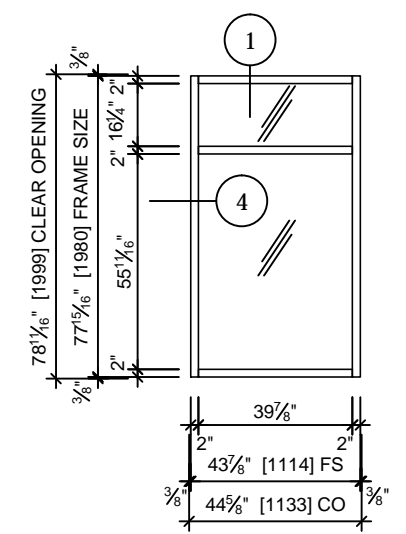
FRAME 103
1 REQUIRED AS SHOWN



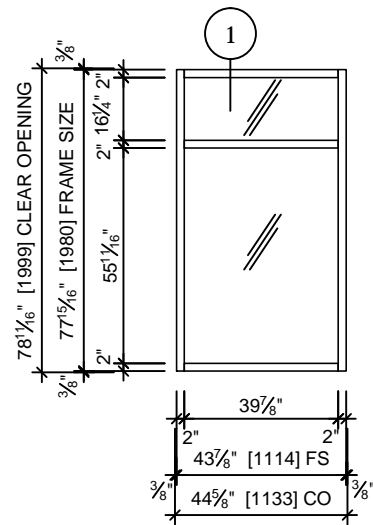
FRAME 104
1 REQUIRED AS SHOWN



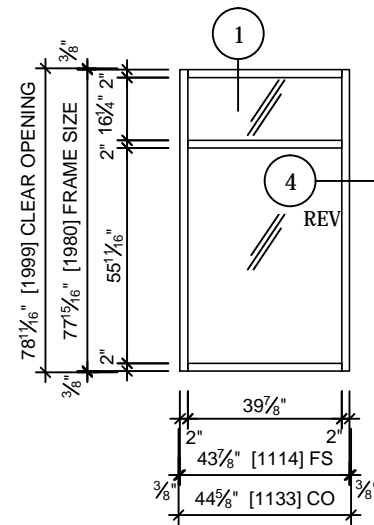
FRAME 105
1 REQUIRED AS SHOWN



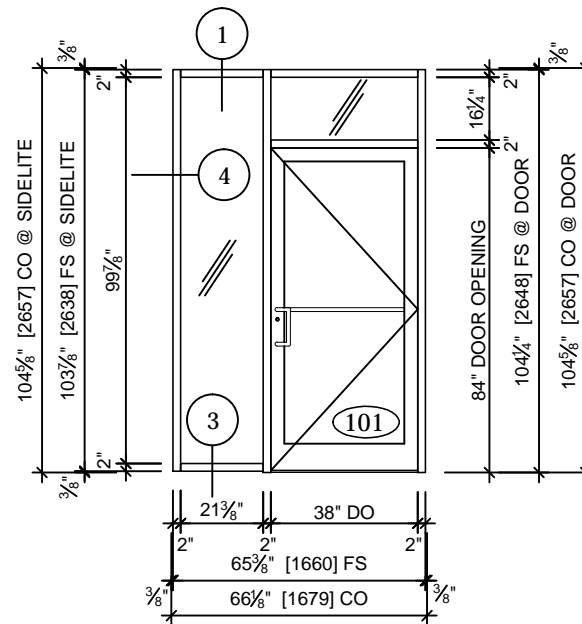
FRAME 106
1 REQUIRED AS SHOWN



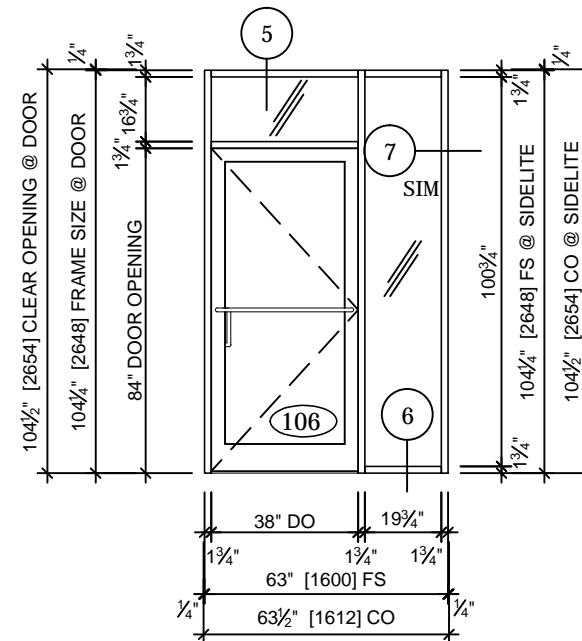
FRAME 107
1 REQUIRED AS SHOWN



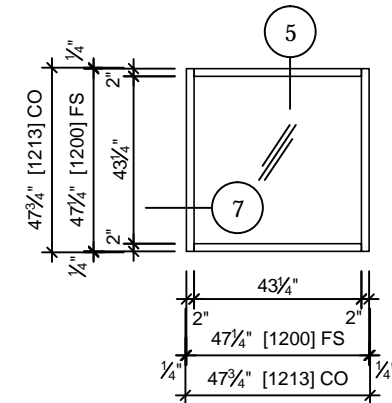
FRAME 108
1 REQUIRED AS SHOWN



FRAME 109
1 REQUIRED AS SHOWN



FRAME 110
1 REQUIRED AS SHOWN



FRAME 111
1 REQUIRED AS SHOWN

Centrum Glass & Door
374-7 SWEETNAM DRIVE
STITTSVILLE, ONT. K2S 1G3
Phone (613) 831-4011
Fax (613) 8310-6088

PROJECT ENTERPRISE RENT-A-CAR
225 HUNTMAR DRIVE
OTTAWA, ONTARIO

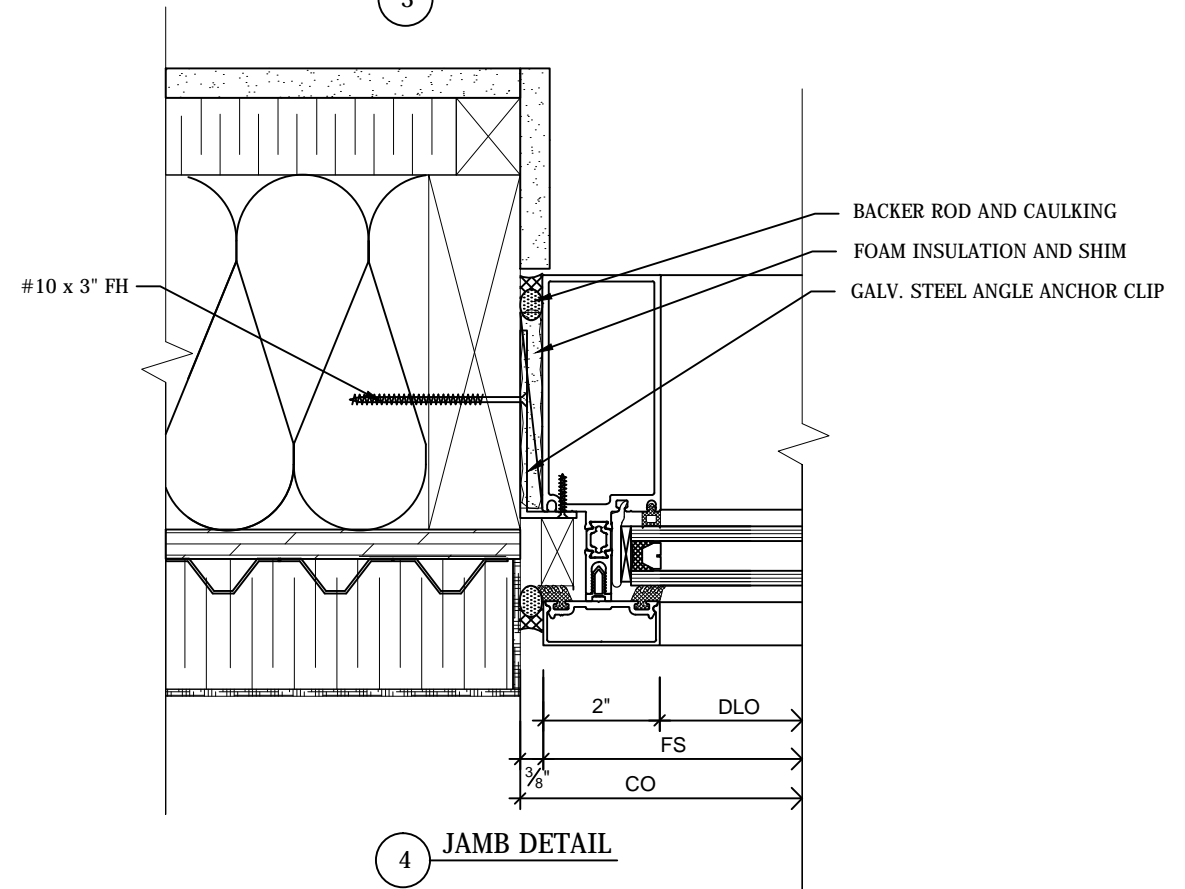
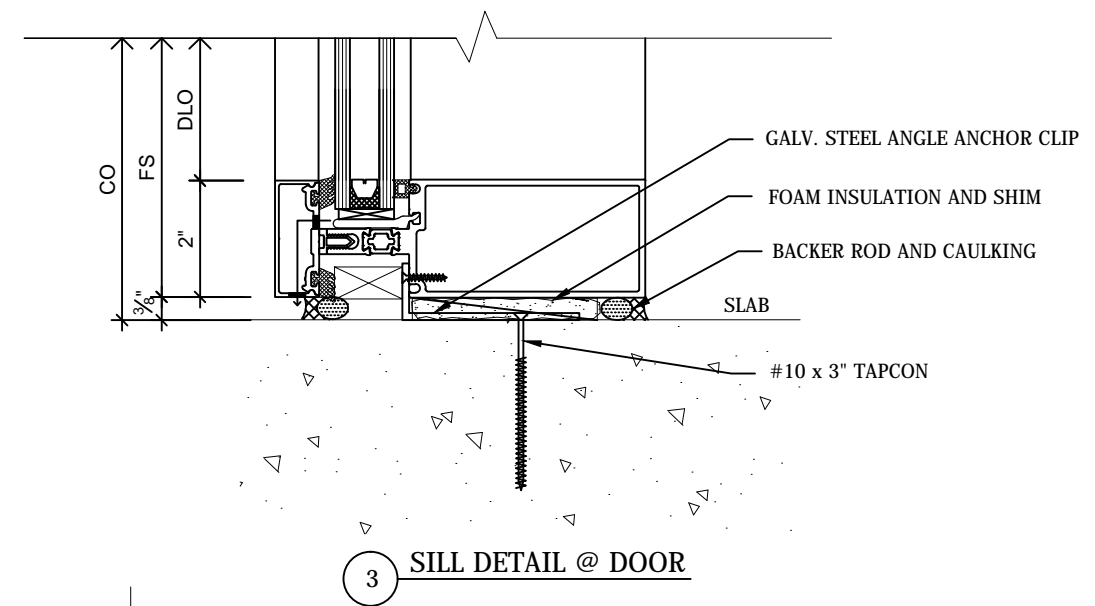
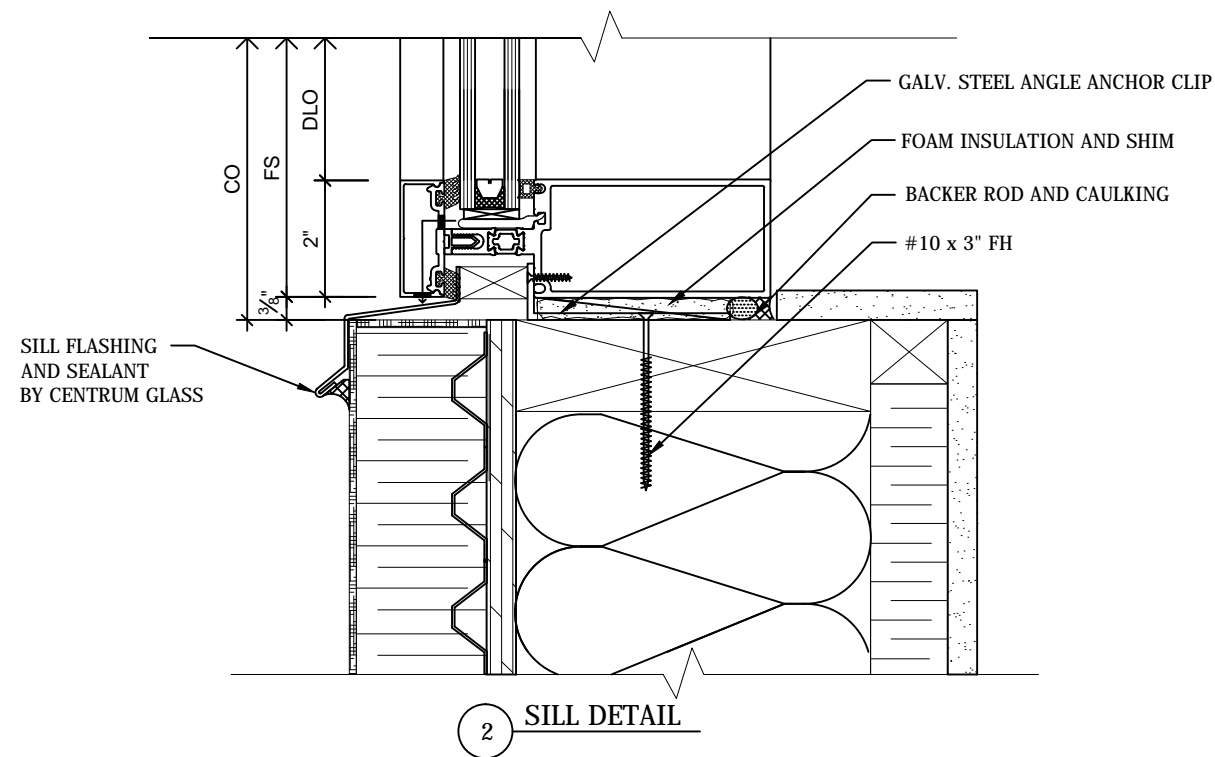
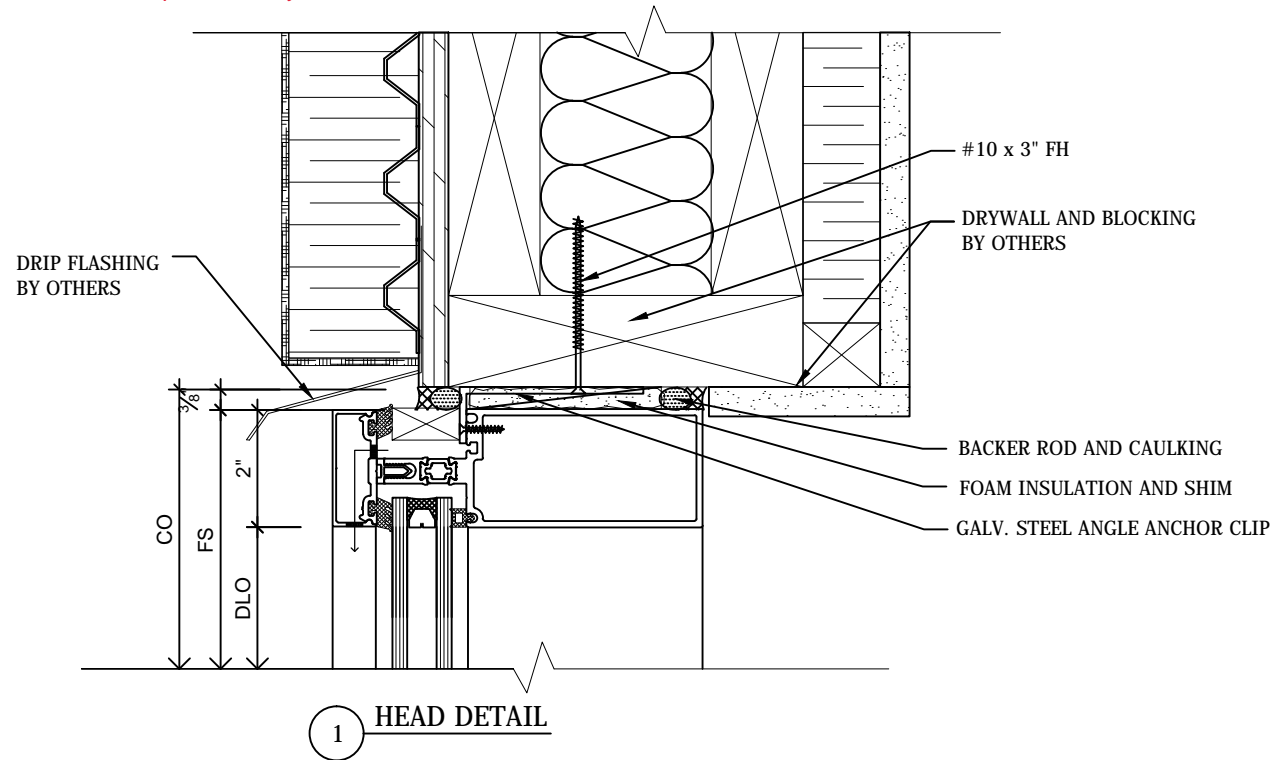
GENERAL CONTRACTOR
TAL-CO BUILDING INNOVATIONS LTD.

DWG. NAME
ELEVATIONS

DRAWN BY DC
CHECKED BY LV
DATE FEB. 14/20
CONTRACT #
PAGE 2 OF 4

1	ISSUED FOR APPROVAL	FEB. 14/20
No.	REVISION	DATE

Reviewed for glazing and frame components only



Centrum Glass & Door
 374-7 SWEETNAM DRIVE
 STITTVILLE, ONT. K2S 1G3
 Phone (613) 831-4011
 Fax (613) 8310--6088

PROJECT ENTERPRISE RENT-A-CAR
 225 HUNTMAR DRIVE
 OTTAWA, ONTARIO

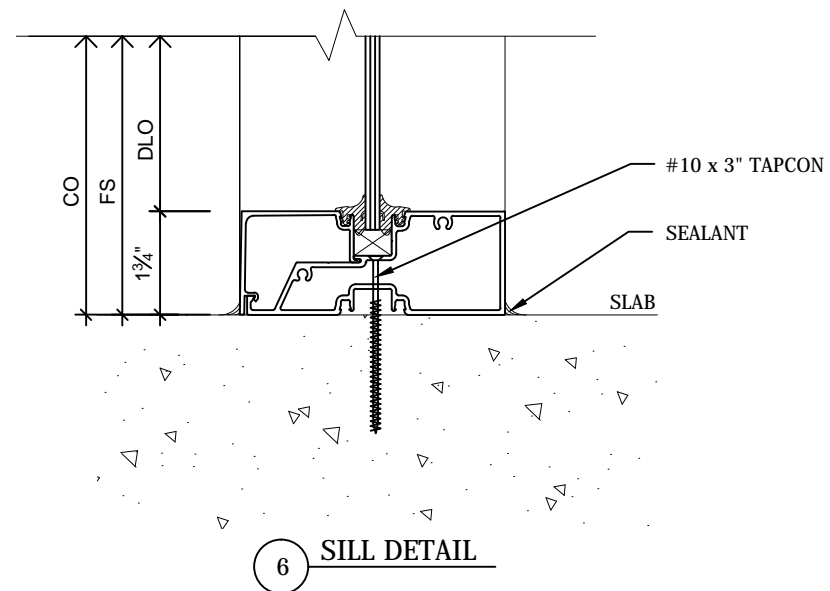
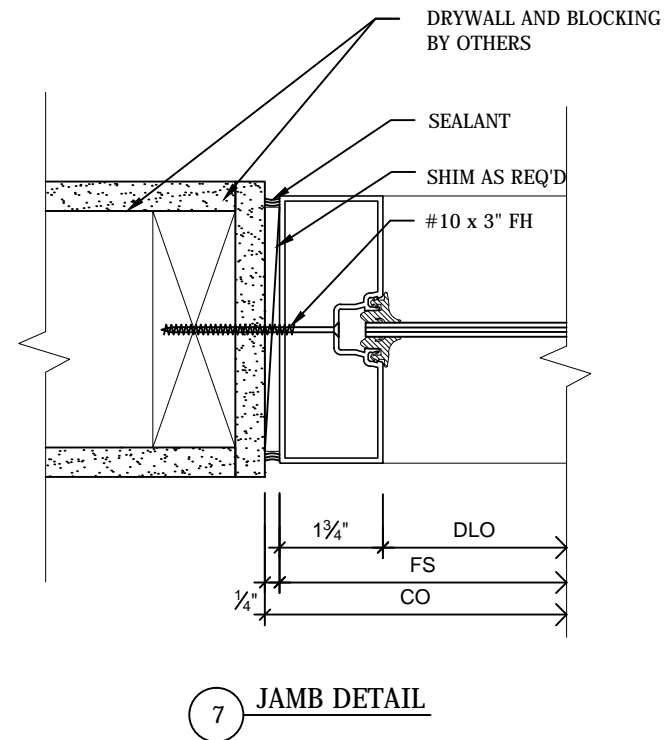
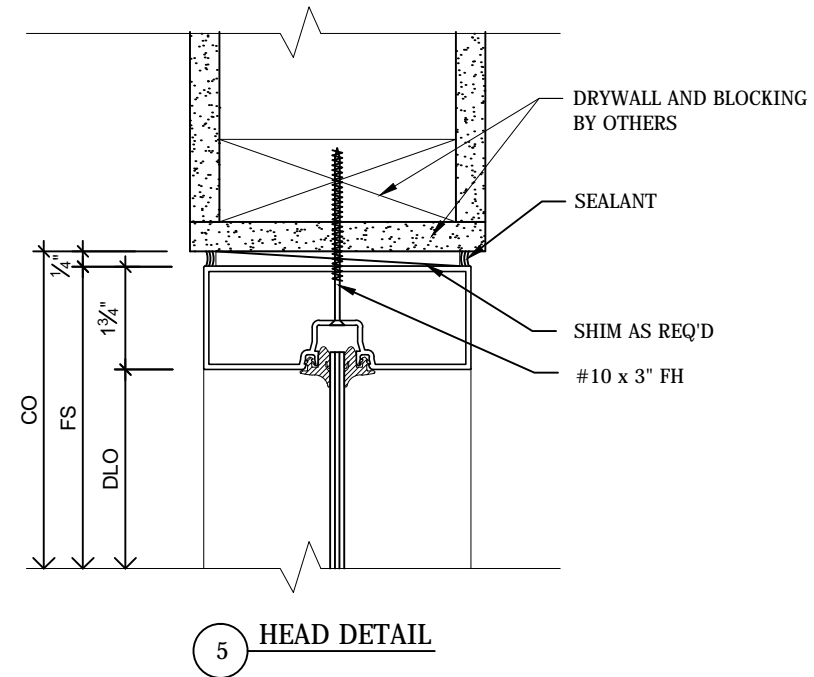
GENERAL CONTRACTOR
 TAL-CO BUILDING INNOVATIONS LTD.

DWG. NAME
 EXTERIOR DETAILS

DRAWN BY	CHECKED BY	DATE	CONTRACT #	PAGE
DC	LV	FEB. 14/20		3 OF 4

No.	REVISION	DATE
1	ISSUED FOR APPROVAL	FEB. 14/20

Reviewed for glazing and frame components only



Centrum Glass & Door
 374-7 SWEETNAM DRIVE
 STITTSVILLE, ONT. K2S 1G3
 Phone (613) 831-4011
 Fax (613) 8310--6088

PROJECT ENTERPRISE RENT-A-CAR
 225 HUNTMAR DRIVE
 OTTAWA, ONTARIO

GENERAL CONTRACTOR
 TAL-CO BUILDING INNOVATIONS LTD.

DWG. NAME
 INTERIOR DETAILS

DRAWN BY	CHECKED BY	DATE	CONTRACT #	PAGE
DC	LV	FEB. 14/20		1 OF 4

No.	ISSUED FOR APPROVAL	DATE
1	ISSUED FOR APPROVAL	FEB. 14/20
	REVISION	DATE