

Please Confirm
traffic direction for
fabrication.



CHECKED:

CORRECT

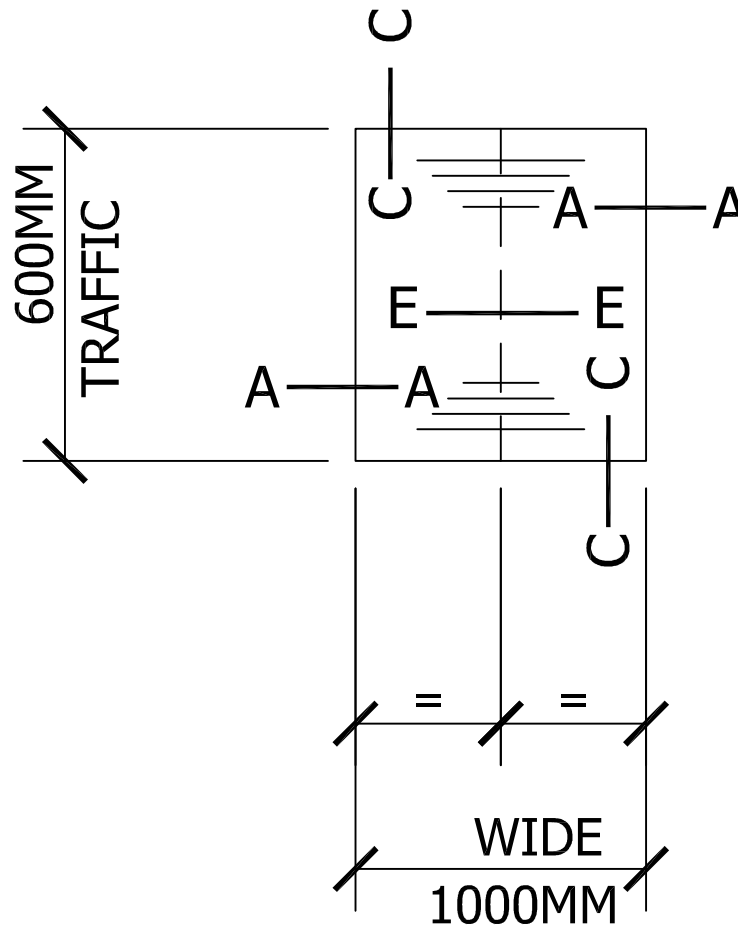
CHANGE

PLAN VIEW: BLA-1-VV (ALUM FRAME)
WITH GALVANIZED PAN 22 GA, NO DRAIN

*** FOR APPROVAL BEFORE PRODUCTION***

NO PRODUCTION UNTIL THE RECEPTION OF THE APPROVED
SHOP DRAWING. THIS DRAWING IS NOT BEAR EFFECTIVE
FROM THE BILLING DATE (DELIVERY).

APPROVED



REVIEWED

By Pat Newton at 9:51 am, Mar 06, 2020

QUANTITY:
VESTIBULE:
REVISION:
REVISION DATE:

CONTRACTOR:

ARCHITECTS:

DISTRIBUTOR:

INSTACO

BOLAR

BLAINVILLE, QUEBEC

<http://www.bolar.com>
webmaster@bolar.com

TEL: (450) 435 7385
FAX: (450) 435 3600

PROJECT:

ENTREPRISE CAR RENTAL

DATE: FEB 28, 2020
DRAWN BY: VINCENT
APPROVED BY:

PO Nb: 8423

DWG Nb: 5291-A

PLEASE TAKE NOTE THAT ANY CHANGE ON DIMENSION MAY AFFECT THE NUMBER OF SECTION OF EACH GRILLE.

Please Confirm traffic direction for fabrication.



CHECKED:

CORRECT

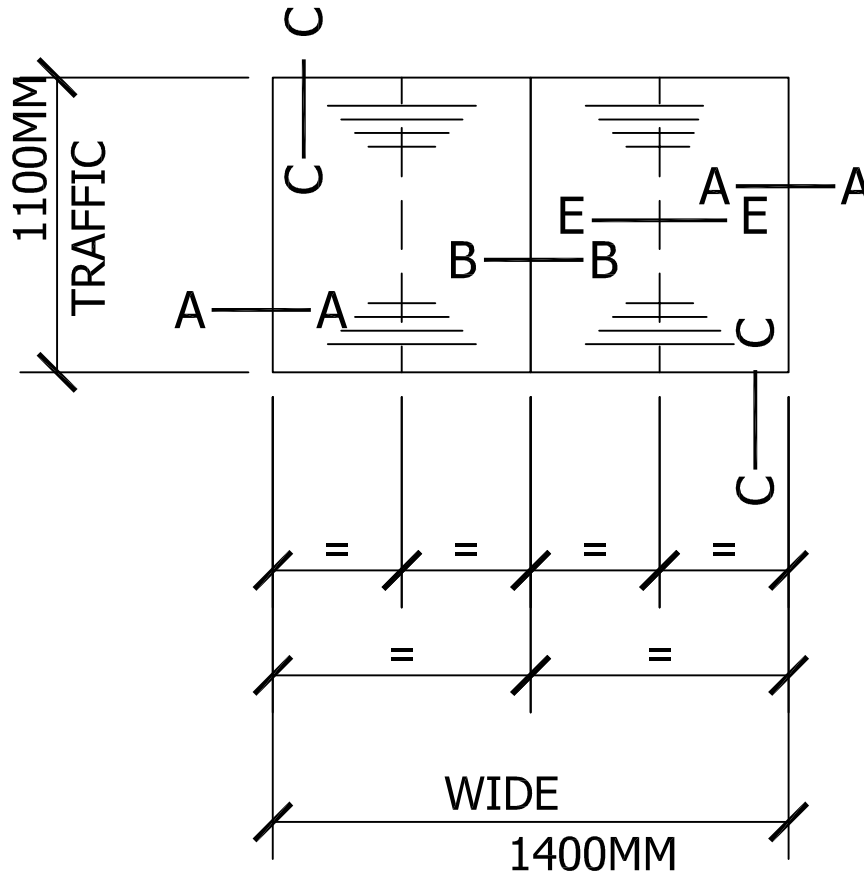
CHANGE

PLAN VIEW: BLA-1-VV (ALUM FRAME) WITH GALVANIZED PAN 22 GA, NO DRAIN

*** FOR APPROVAL BEFORE PRODUCTION***

NO PRODUCTION UNTIL THE RECEPTION OF THE APPROVED SHOP DRAWING. THIS DRAWING IS VALID FOR EFFECTIVE FROM THE BILLING DATE (DELIVERY).

APPROVED



QUANTITY:	<input type="text" value="1"/>
VESTIBULE:	<input type="text"/>
REVISION:	<input type="text" value="#1"/>
REVISION DATE:	<input type="text" value="MARCH 5, 2020"/>

CONTRACTOR:	
-------------	--

ARCHITECTS:	
-------------	--

DISTRIBUTOR:	INSTACO
--------------	---------

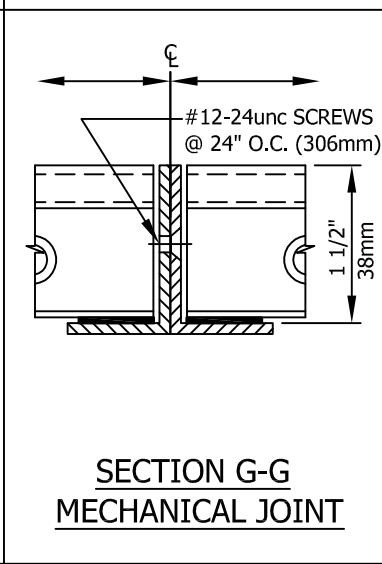
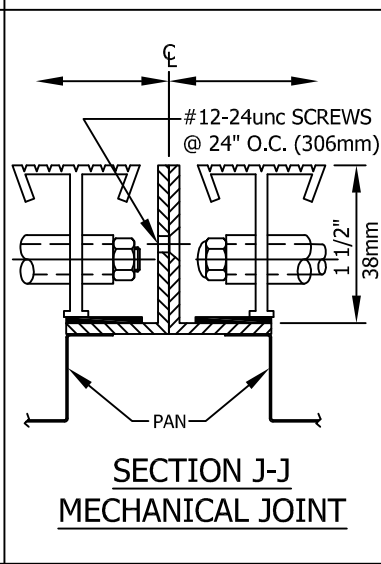
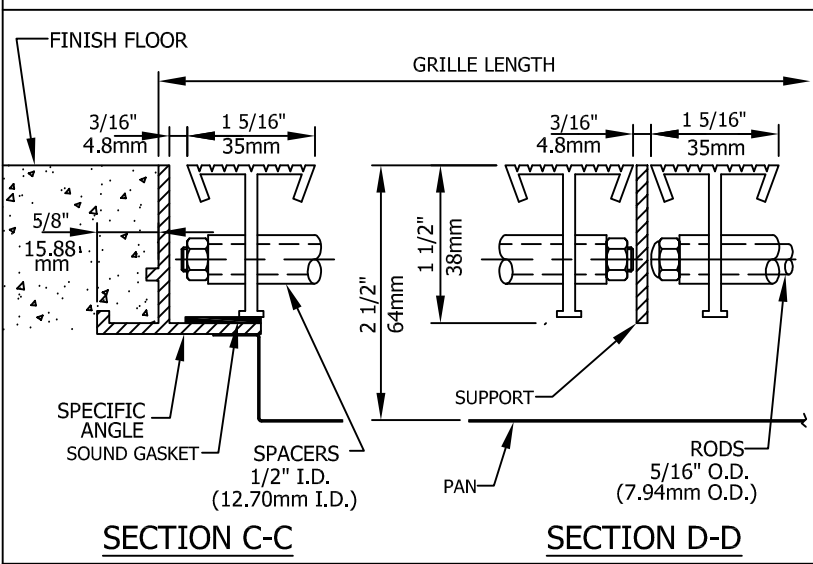
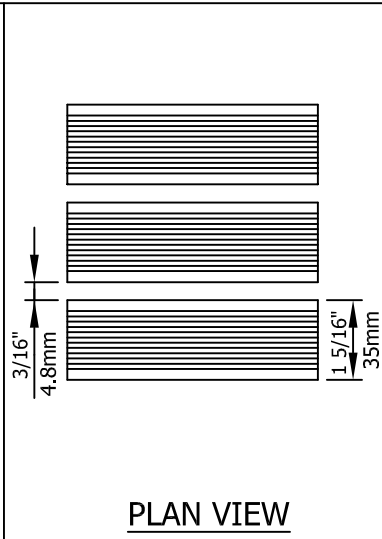
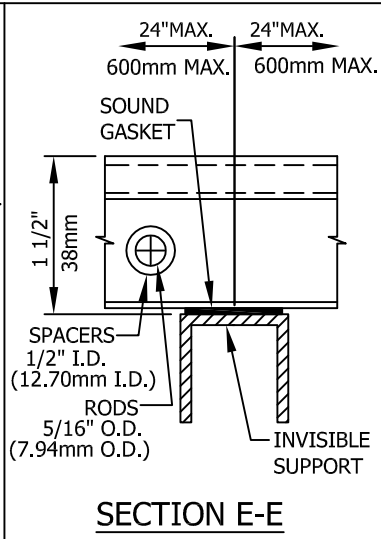
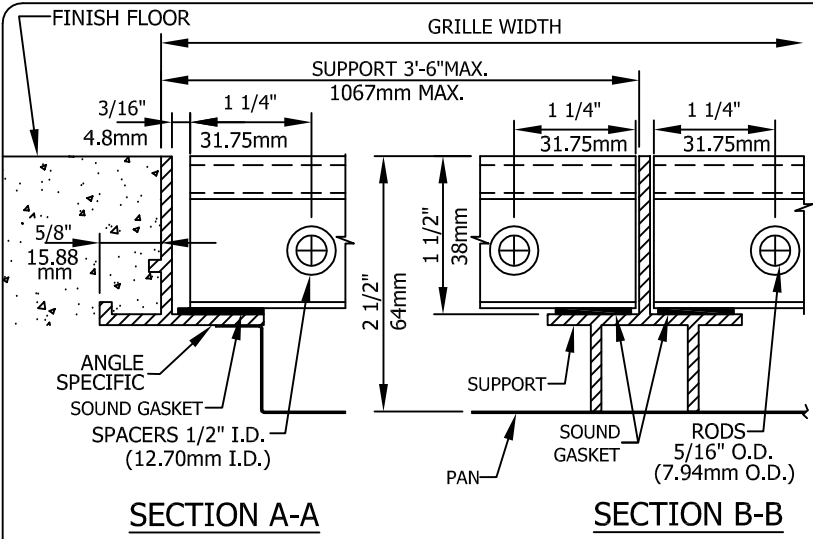
BOLAR	BLAINVILLE, QUEBEC
http://www.bolar.com	TEL: (450) 435 7385
webmaster@bolar.com	FAX: (450) 435 3600

PROJECT:	ENTREPRISE CAR RENTAL
----------	-----------------------

DATE: FEB 28, 2020
DRAWN BY: VINCENT
APPROVED BY:

PO Nb:	8423
DWG Nb:	52981-B

PLEASE TAKE NOTE THAT ANY CHANGE ON DIMENSION MAY AFFECT THE NUMBER OF SECTION OF EACH GRILLE.



REGULAR INSTALLATION

GRILLE: BLA-1
FRAME: V V

MATERIAL AND ALLOY:

6061-T6 ALUMINIUM	<input checked="" type="checkbox"/>
STAINLESS STEEL 304	<input type="checkbox"/>
STAINLESS STEEL 316	<input type="checkbox"/>

GRILLE:

ALUMINIUM	<input checked="" type="checkbox"/>
STAINLESS STEEL	<input type="checkbox"/>

FRAME:

ALUMINIUM	<input checked="" type="checkbox"/>
STAINLESS STEEL	<input type="checkbox"/>

WITHOUT PAN:

WITH PAN:

GALVANIZED	<input checked="" type="checkbox"/>
STAINLESS STEEL	<input type="checkbox"/>
ALUMINIUM	<input type="checkbox"/>

GAGE:

OVERALL DEPTH:

GRILLE / FRAME	PIT	<input type="text" value="2 1/2\"/>
	PAN	<input type="text"/>

REVISION:
REVISION DATE:

CONTRACTOR: _____
ARCHITECTS: _____
DISTRIBUTOR: INSTACO

OPTIONS:

#1	<input type="checkbox"/>
#2	<input type="checkbox"/>
#3	<input type="checkbox"/>
#4	<input type="checkbox"/>
#5	<input type="checkbox"/>

SEE DWG Nb:

NOTES:

APPROVED

ALUMINIUM FINISH :

MILL	<input checked="" type="checkbox"/>
CLEAR ANODIZED	<input type="checkbox"/>
MEDIUM BRONZE ANODIZED	<input type="checkbox"/>
BLACK	<input type="checkbox"/>

PROTECTIVE TREATMENT FOR ALUMINIUM ONLY:

PARTS IN CONTACT WITH CONCRETE WILL RECEIVE TWO COATS OF BITUMINOUS PAINT.

DRAIN:

WITH	<input type="checkbox"/>
WITHOUT	<input checked="" type="checkbox"/>

PROJECT: ENTREPRISE CAR RENTAL

DATE: MARCH 5, 2020	PO Nb: 8423
DRAWN BY: VINCENT	DWG Nb: 52981-C
APPROVED BY:	