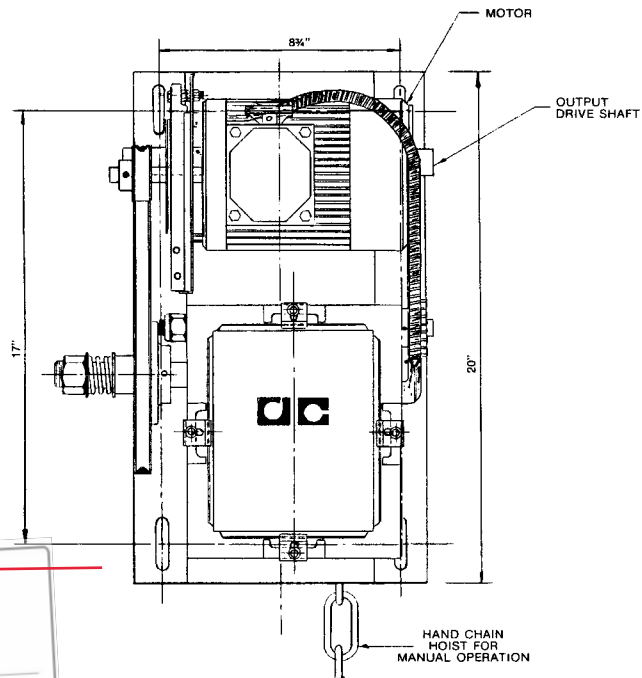
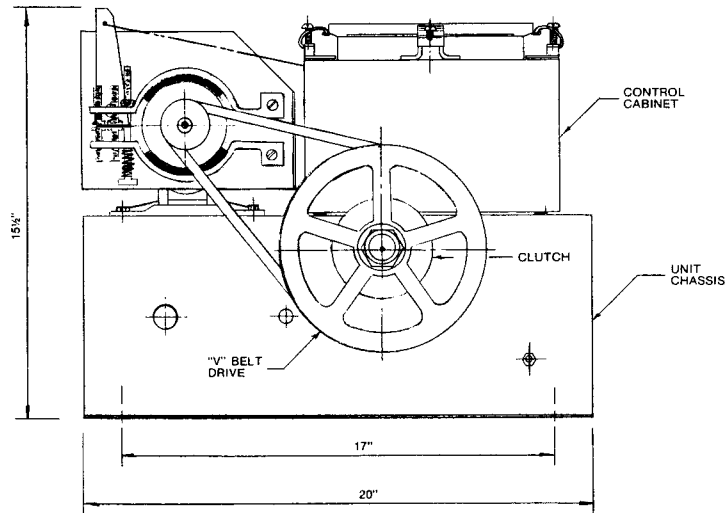


REVIEWED

By Pat Newton at 12:25 pm, May 25, 2020



PLAN VIEW



ELEVATION VIEW

Reviewed ()
Reviewed as noted ()
Revise and resubmit ()
Not reviewed ()
Date: 2020 May 29
Reviewed by: MH

This review by J.C.F.A. Inc. is for the sole purpose of ascertaining conformance with the general design concept for architectural features only, and does not in any way constitute review of the design of engineering elements which form part of the contract documents prepared by others. This review shall not mean that J.C.F.A. Inc. approves the detailed design inherent in the shop drawings, responsibility for which shall remain with the Contractor submitting same, and such review shall not relieve the Contractor of the responsibility for errors or omissions in the shop drawings or of the responsibility for meeting all requirements of the contract documents. The Contractor is responsible for dimensions to be confirmed and correlated at the job site, for information and that pertains solely to fabrication processes or to techniques of construction and installation, and for coordination of the work of all trades.

Jason C. Flynn Architect Inc. (J.C.F.A. Inc.)

CANADIAN PATENT NO 1165785

FOR EXPLODED VIEW
SEE DRAWING NO. 1072

This drawing and all information contained therein is confidential and the property of DOORLEC CORPORATION
It may not be reproduced in whole or in part without express written consent

This document is loaned subject to be returned upon demand. It may not be used directly or indirectly for purposes detrimental to the interests of DOORLEC CORPORATION
Copyright 1985
ALL RIGHTS RESERVED

MODEL LJHW ASSEMBLY		
Date: April 1987	Approved P.G.S.	Drawg. No. 3022