

TH1-57164A

3-SIDED S/F ILLUMINATED FASCIA SIGN

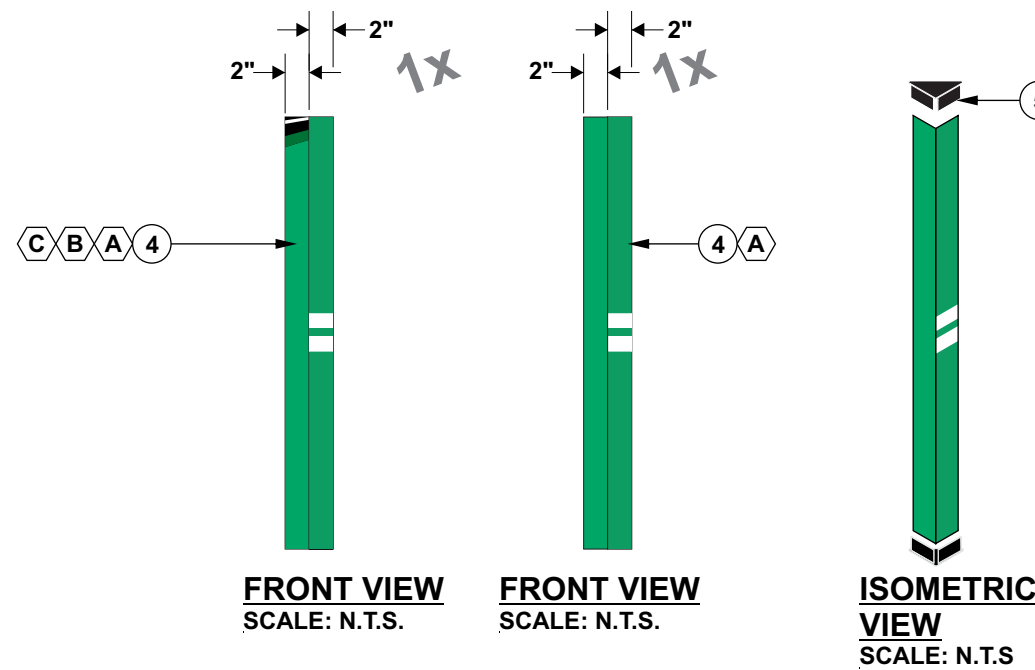
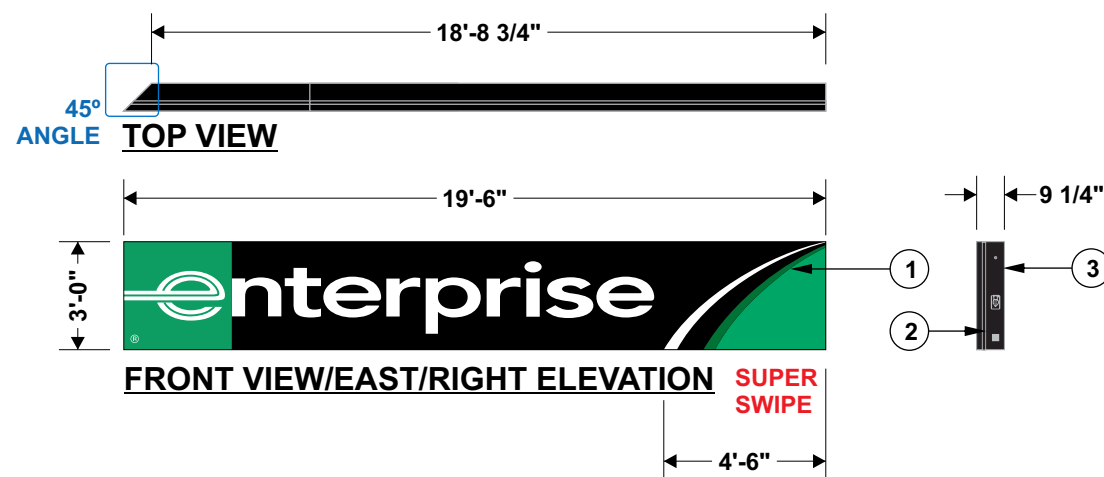
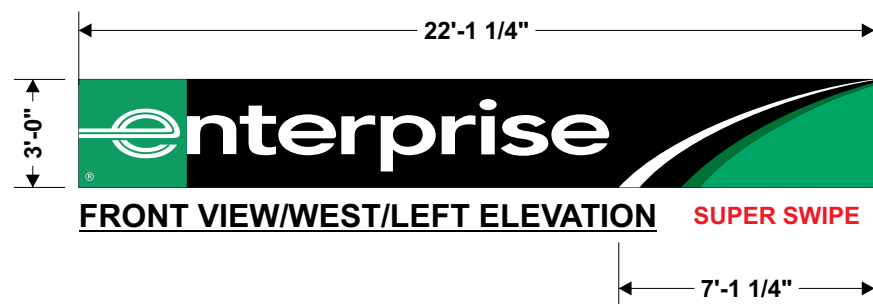
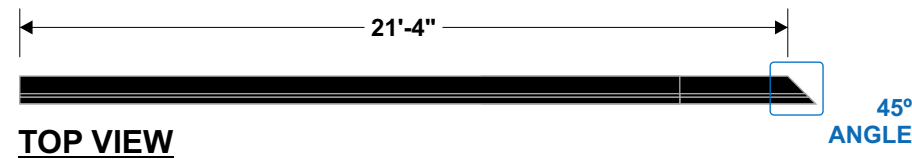
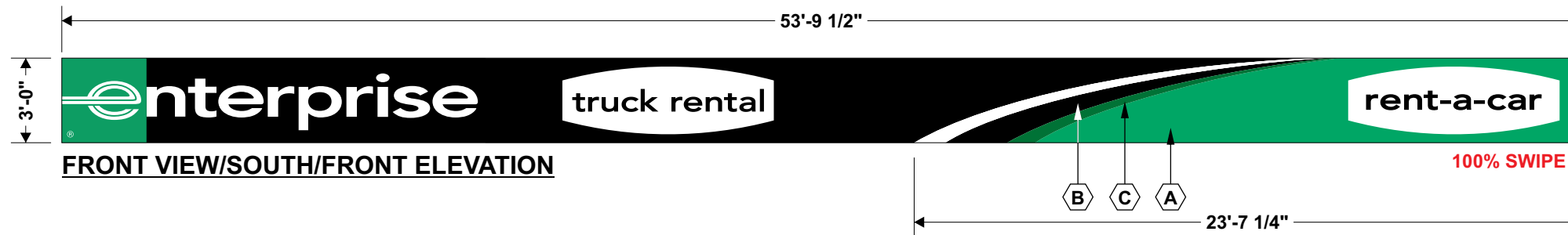
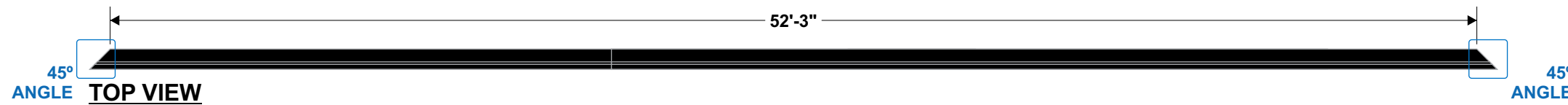
Electrical specifications:

Volts: T.B.D. Amp.: T.B.D. Circ.: T.B.D.

Installation: Interior: Exterior:

#	Description:
1	WHITE FLEX FACE WITH VINYL APPLIED ON FIRST SURFACE
2	FRAMELESS ALUMINUM EXTRUSION RETAINER WITH COVER IMN-94649 & IMN-94651 PRE PAINTED BLACK (T.B.V.)
3	ALUMINUM EXTRUDED CABINET IMN-94650 AND BACKING PRE-PAINTED BLACK (T.B.V.)
*	GALVANIZED TUBING
*	PIANO HINGE
*	ILLUMINATED WITH LED
4	PREPAINTED WHITE ALUMINUM PIECE WITH VINYL ON FIRST SURFACE
5	PREPAINTED BLACK ALUMINUM CAPS

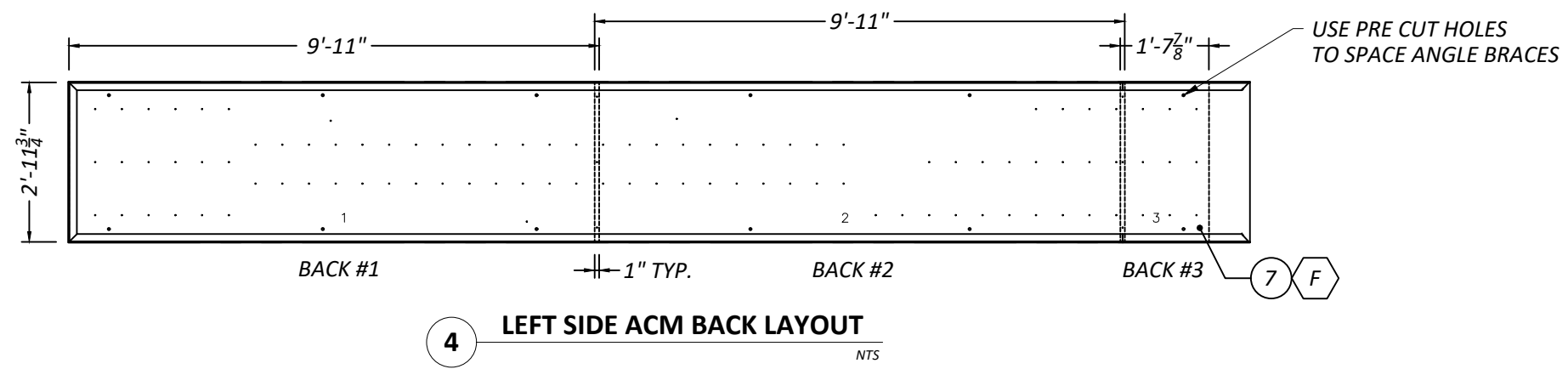
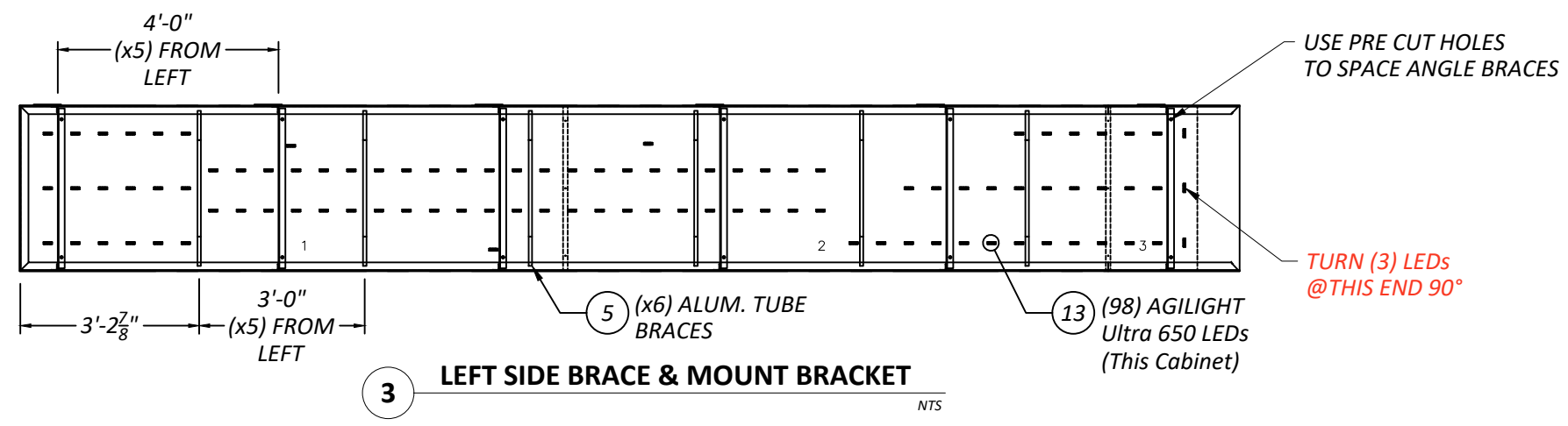
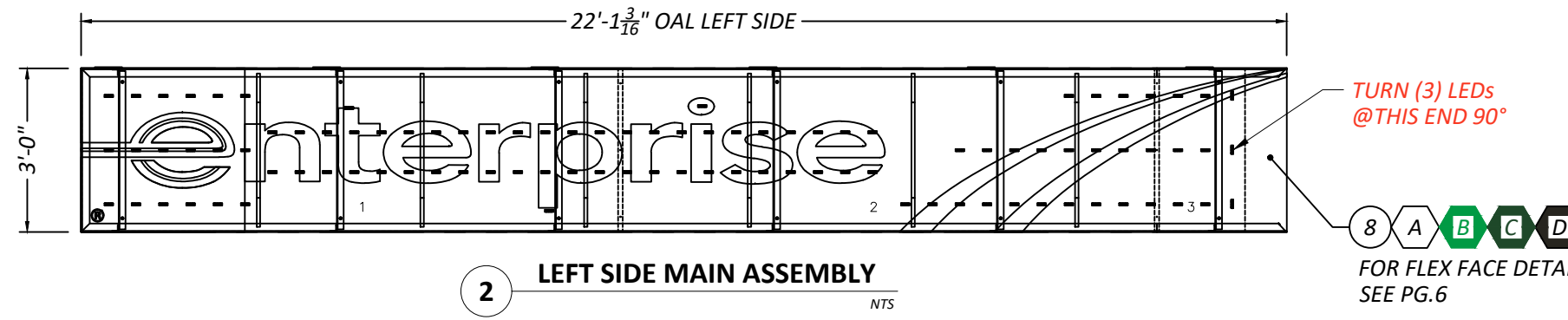
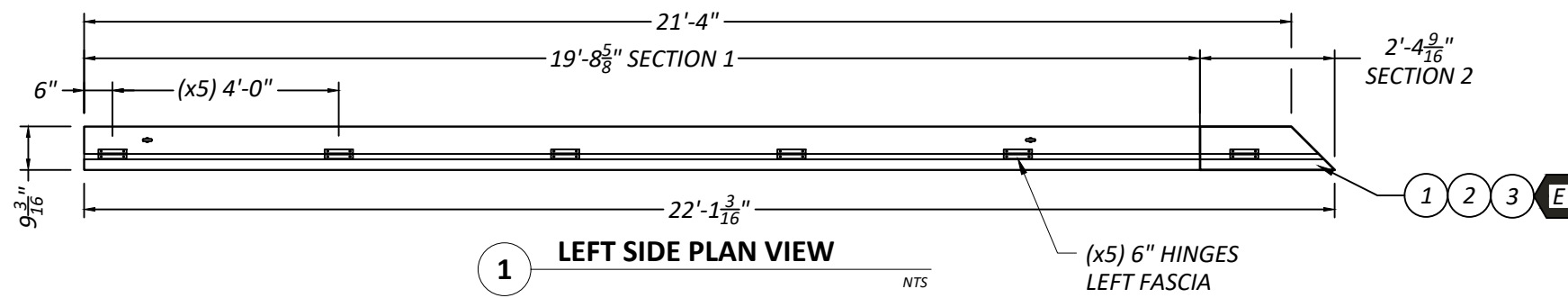
FOR COLOR REFERENCE ONLY.
SEE PRODUCTION DRAWING FOR
VERIFIED DIMENSIONS AND
FABRICATION DETAILS.



#	Notes:
1	DETAILS TO FOLLOW
2	ALL WIDTH DIMENSIONS T.B.V.
3	SURVEY REQUIRED PRIOR PRODUCTION

#	Colors:
A	LIGHT GREEN VINYL 3M 3630-6131
B	BLACK VINYL 3M 3630-22
C	DARK GREEN VINYL 3M 3630-6161

Customer:	
ENTERPRISE RENT A CAR	
Site Address:	
225 HUNTMAR ROAD KANATA, ON	
Designer:	Checked By:
CLAUDIA VOGT	N/A
Date:	Scale:
06.01.2020	3/16" = 1'-0"



Custom Fascia Band

3'-0"x 22'-1" & 3'-0"x 53'-9" & 3'-0"x 19'-6" SF/ WM/ 3 SIDED FASCIA BAND

INSTALLATION:		INTERIOR	X EXTERIOR
ELECTRICAL SPECIFICATIONS:		WEIGHT: 860 lbs	
VOLTS: 120 VAC	AMP: 6 A	CIRC: 1	
ITEM	PART NO.	DESCRIPTION	
1	ALEX0110	Metra IMN-94649-13 Black @ 21'-0"	210 LF
2	ALEX0113	Metra IMN-94650-10 Black @ 21'-0"	210 LF
3	ALEX0116	Metra IMN-94651-10 Black @ 21'-0"	210 LF
4	ALSP0020	Angle Alum 1-1/2"x 1-1/2"x 3/16" @ 25'	100 LF
5	ALSP0126	Tubing Alum 3/4" x 3/4" x 1/8" @ 24'	104 LF
6	ALAC0001	3mm 48"x 120" White Signaband ACM	320 LF
7	VYFLO028	59" x 164' White Panagraphics III 3M	482 SF
8	VYTR0212	3M 3630-6131 Primary Green Vinyl	158 SF
9	VYTR0062	3M 3630-6161 Secondary Green Vinyl	93 SF
10	VYTR0211	3M 3630-22 Black Vinyl	350 SF
11	LEMOD343	Agilight LS-U650-65K-B200-A	419
12	LEPS0079	Agilight PS12-180W-3-A Power Supply	2
13	ELPH0004	Photocell 120V Flush Mount #K4021C	1
14	H-HAXX0035	Ø3" Louver	2
15	N/A	3/8-16 Threaded Rod	50
16	N/A	Lifting Provision	10

#	Colors:
A	FLEX FACE: 3M PANAGRAPHS III - WHITE
B	VINYL: 3M 3630-6131 Enterprise Primary Green
C	VINYL: 3M 3630-6161 Enterprise Secondary Grn.
D	VINYL: 3M 3630-22 Matte Black
E	PRE-PAINTED EXTRUSION: PROGRAM BLACK
F	PRE-PAINTED ACM: WHITE



www.pattisonsign.com / toll free (866) 218-1976

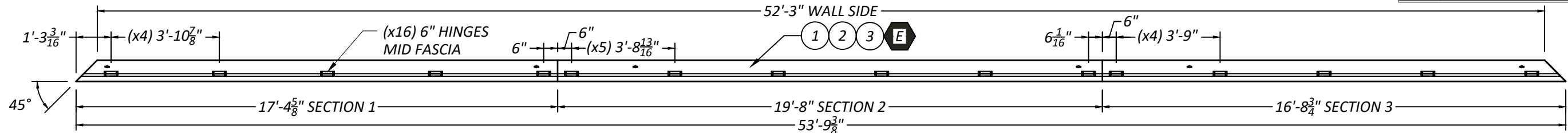
© 2018 PATTISON SIGN GROUP. ALL RIGHTS RESERVED. NO PART OF THIS DRAWING MAY BE REPRODUCED IN ANY FORM WITHOUT WRITTEN PERMISSION FROM PATTISON SIGN GROUP.

		CUSTOMER: ENTERPRISE HOLDINGS	CASE:
IF THIS AGREEMENT INCLUDES THE MANUFACTURING AND INSTALLATION OF A BASE(S) BY PATTISON SIGN GROUP FOR THE SIGNS ORDERED HEREIN, SUCH BASE(S) SHALL BE BUILT AND INSTALLED IN ACCORDANCE WITH APPLICABLE LAWS AND REGULATIONS. IF A BASE(S) IS TO BE BUILT OR PROVIDED BY THE CUSTOMER FOR AGENTS AND NOT BY PATTISON SIGN GROUP, THE CUSTOMER SHALL ENSURE THAT THE BASE(S) ARE BUILT AND INSTALLED IN ACCORDANCE WITH APPLICABLE LAWS AND REGULATIONS AND SHALL HOLD PATTISON SIGN GROUP AND ITS EMPLOYEES, REPRESENTATIVES, AGENTS AND OFFICERS HARMLESS AND INDEMNIFY IT AGAINST ANY AND ALL CLAIMS, LIABILITIES, ACTIONS, PENALTIES, FINES, AND ANY LEGAL FEES INCURRED BY PATTISON SIGN GROUP ARISING FROM THE FAILURE OF THE CUSTOMER (AND/OR ITS AGENT) OBLIGATIONS).		LOCATION: 225 Huntmar Road, Kanata, ON CANADA	DATE: 06/25/20
		DRAWN BY: T Dangmeon	JOB:
		CHECKED BY:	PAGE: 1 of 6
		PROJECT ID: TH1-57164	

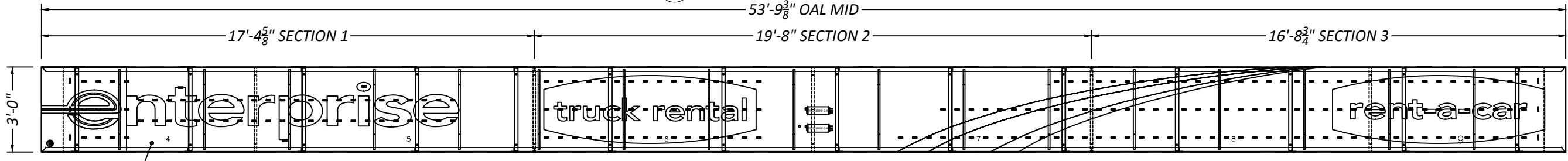
Custom Fascia Band

3'-0" x 22'-1" & 3'-0" x 53'-9" & 3'-0" x 19'-6"
SF/ WM/ 3 SIDED FASCIA BAND

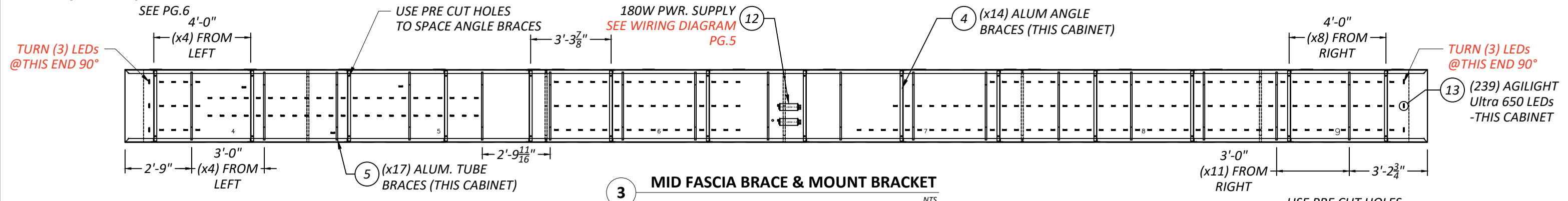
INSTALLATION:	INTERIOR	X EXTERIOR
ELECTRICAL SPECIFICATIONS:	WEGHT: 860 lbs	
VOLTS: 120 VAC	AMP: 6 A	CIRC: 1



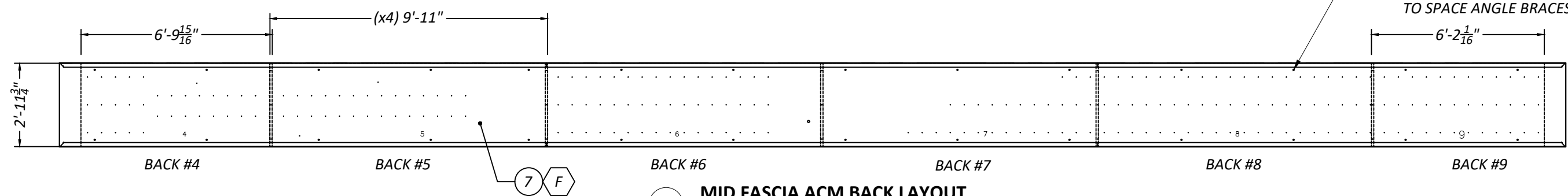
1 MID FASCIA PLAN VIEW NTS



2 MID FASCIA MAIN ASSEMBLY NTS



3 MID FASCIA BRACE & MOUNT BRACKET NTS



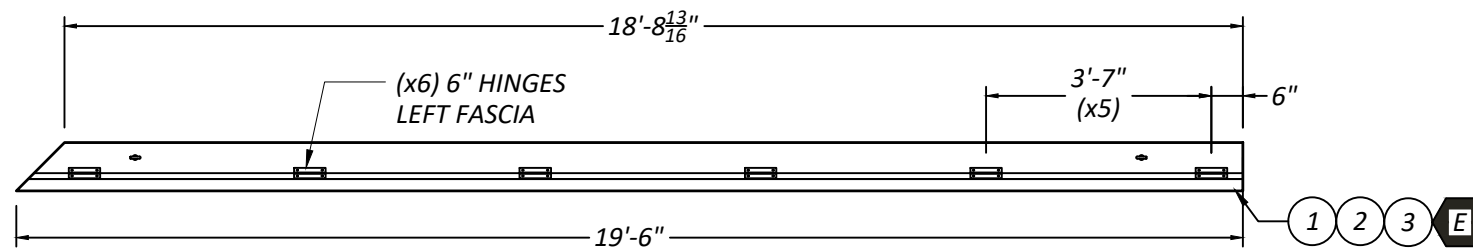
4 MID FASCIA ACM BACK LAYOUT NTS



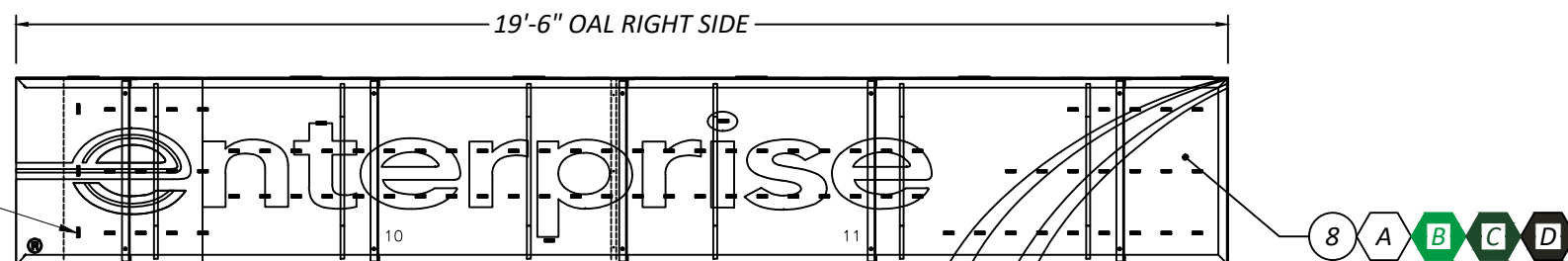
www.pattisonsign.com / toll free (866) 218-1976

© 2018 PATTISON SIGN GROUP. ALL RIGHTS RESERVED. NO PART OF THIS DRAWING MAY BE REPRODUCED IN ANY FORM WITHOUT WRITTEN PERMISSION FROM PATTISON SIGN GROUP.

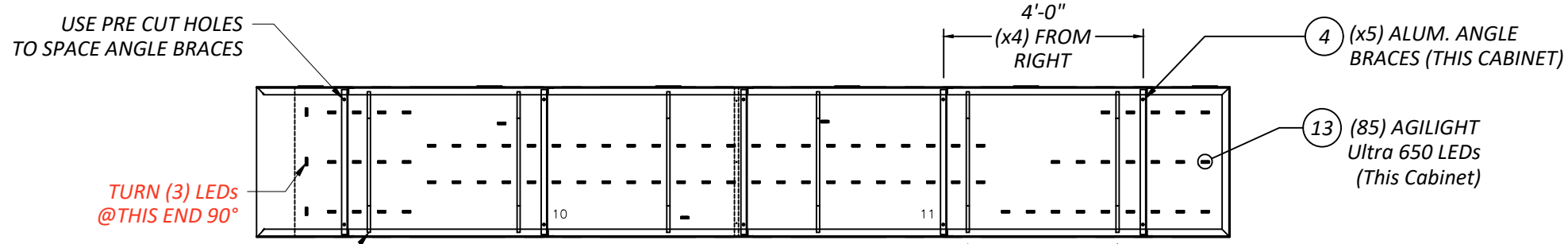
<p><small>This sign is intended to be installed in accordance with the requirements of National Electrical Code (NEC) or NFPA 70 and of the Canadian Electrical Code (CEC) or CSA C22.1 and/or other applicable local codes. This includes proper grounding and bonding of the sign.</small></p> <p><small>Pattison Sign Group illuminated signs product may contain Fluorescent, Neon and/or HID Lamps. These lamps contain Mercury (Hg). Disposal of these lamps will be the responsibility of the recipient, according to Local, Provincial, State or Federal Laws.</small></p> <p><small>IF THIS AGREEMENT INCLUDES THE MANUFACTURING AND INSTALLATION OF A BASE(S) BY PATTISON SIGN GROUP FOR THE SIGNS ORDERED HEREIN, SUCH BASE(S) SHALL BE BUILT AND INSTALLED IN ACCORDANCE WITH APPLICABLE LAWS AND REGULATIONS. IF A BASE(S) IS TO BE BUILT OR PROVIDED BY THE CUSTOMER OR AGENT, AND NOT BY PATTISON SIGN GROUP, THE CUSTOMER SHALL ENSURE THAT THE BASE(S) ARE BUILT AND INSTALLED IN ACCORDANCE WITH APPLICABLE LAWS AND REGULATIONS AND SHALL HOLD PATTISON SIGN GROUP AND ITS EMPLOYEES, REPRESENTATIVES, AGENTS AND OFFICERS, HARMLESS AND INDEMNIFY IT AGAINST ANY AND ALL CLAIMS, LIABILITIES, ACTIONS, PENALTIES, FINES, AND ANY LEGAL FEES INCURRED BY PATTISON SIGN GROUP ARISING FROM THE FAILURE OF THE CUSTOMER (AND/OR ITS AGENT) OBLIGATIONS.</small></p>	CUSTOMER:	ENTERPRISE HOLDINGS	CASE:	
	LOCATION:	225 Huntmar Road, Kanata, ON CANADA	DATE:	06/25/20
	DRAWN BY:	T Dangmeon	JOB:	
	CHECKED BY:		PAGE:	2 of 6
	PROJECT ID:	TH1-57164		



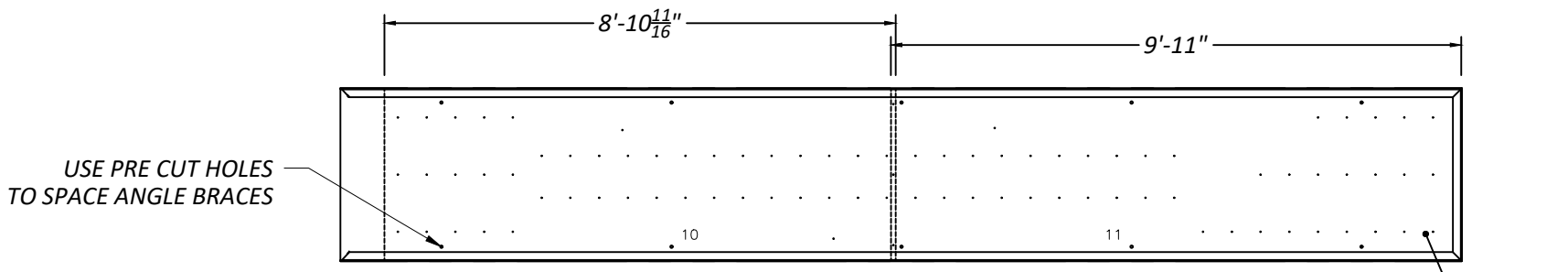
1 RIGHT SIDE PLAN VIEW
NTS



2 RIGHT SIDE MAIN ASSEMBLY
NTS



3 RIGHT SIDE BRACE & MOUNT BRACKET
NTS



4 RIGHT SIDE ACM BACK LAYOUT
NTS

Custom Fascia Band

3'-0" x 22'-1" & 3'-0" x 53'-9" & 3'-0" x 19'-6" SF/ WM/ 3 SIDED FASCIA BAND

INSTALLATION:		INTERIOR	X EXTERIOR
ELECTRICAL SPECIFICATIONS:			WEIGHT: 860 lbs
VOLTS: 120 VAC	AMP: 6 A	CIRC: 1	
ITEM	PART NO.	DESCRIPTION	
1	ALEX0110	Metra IMN-94649-13 Black @ 21'-0"	210 LF
2	ALEX0113	Metra IMN-94650-10 Black @ 21'-0"	210 LF
3	ALEX0116	Metra IMN-94651-10 Black @ 21'-0"	210 LF
4	ALSP0020	Angle Alum 1-1/2" x 1-1/2" x 3/16" @ 25'	100 LF
5	ALSP0126	Tubing Alum 3/4" x 3/4" x 1/8" @ 24'	104 LF
6	ALAC0001	3mm 48" x 120" White Signaband ACM	320 LF
7	VYFL0028	59" x 164' White Panagraphics III 3M	482 SF
8	VYTR0212	3M 3630-6131 Primary Green Vinyl	158 SF
9	VYTR0062	3M 3630-6161 Secondary Green Vinyl	93 SF
10	VYTR0211	3M 3630-22 Black Vinyl	350 SF
11	LEMOD343	Agilight LS-U650-65K-B200-A	419
12	LEPS0079	Agilight PS12-180W-3-A Power Supply	2
13	ELPH0004	Photocell 120V Flush Mount #K4021C	1
14	H-HAXX0035	Ø3" Louver	2
15	N/A	3/8-16 Threaded Rod	50
16	N/A	Lifting Provision	10
17			

#	Colors:
A	FLEX FACE: 3M PANAGRAPHS III - WHITE
B	VINYL: 3M 3630-6131 Enterprise Primary Green
C	VINYL: 3M 3630-6161 Enterprise Secondary Grn.
D	VINYL: 3M 3630-22 Matte Black
E	PRE-PAINTED EXTRUSION: PROGRAM BLACK
F	PRE-PAINTED ACM: WHITE



www.pattisonsign.com / toll free (866) 218-1976

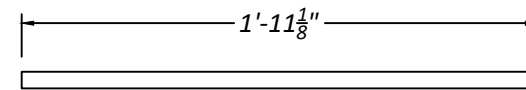
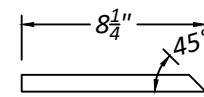
© 2018 PATTISON SIGN GROUP. ALL RIGHTS RESERVED. NO PART OF THIS DRAWING MAY BE REPRODUCED IN ANY FORM WITHOUT WRITTEN PERMISSION FROM PATTISON SIGN GROUP.

		CUSTOMER: ENTERPRISE HOLDINGS	CASE:
IF THIS AGREEMENT INCLUDES THE MANUFACTURING AND INSTALLATION OF A BASE(S) BY PATTISON SIGN GROUP FOR THE SIGNS ORDERED HEREIN, SUCH BASE(S) SHALL BE BUILT AND INSTALLED IN ACCORDANCE WITH APPLICABLE LAWS AND REGULATIONS. IF A BASE(S) IS TO BE BUILT OR PROVIDED BY THE CUSTOMER OR AGENT, AND NOT BY PATTISON SIGN GROUP, THE CUSTOMER SHALL ENSURE THAT THE BASE(S) ARE BUILT AND INSTALLED IN ACCORDANCE WITH APPLICABLE LAWS AND REGULATIONS AND SHALL HOLD PATTISON SIGN GROUP AND ITS EMPLOYEES, REPRESENTATIVES, AGENTS AND OFFICERS, HARMLESS AND INDEMNIFY IT AGAINST ANY AND ALL CLAIMS, LIABILITIES, ACTIONS, PENALTIES, FINES, AND ANY LEGAL FEES INCURRED BY PATTISON SIGN GROUP ARISING FROM THE FAILURE OF THE CUSTOMER (AND/OR ITS AGENT) OBLIGATIONS.		LOCATION: 225 Huntmar Road, Kanata, ON CANADA	DATE: 06/25/20
		DRAWN BY: T Dangmeon	JOB:
		CHECKED BY:	PAGE: 3 of 6
		PROJECT ID: TH1-57164	

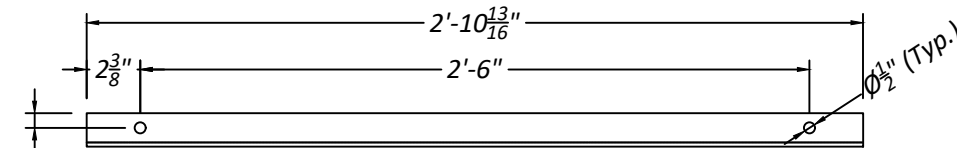
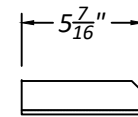
ALUMINUM CUT-LIST

DESCRIPTION	QTY.	LENGTH	NOTE
ALUM. EXT. IMN-94649 / 94651 / 94650	2**	36"	VERTICAL - LEFT & RIGHT SIDE
ALUM. EXT. IMN-94649 / 94651 / 94650	1*	236.62"	MITER - LEFT FASCIA SECT 1 TOP
ALUM. EXT. IMN-94649 / 94651 / 94650	1*	236.62"	REVERSE - LEFT FASCIA SECT 1 BOTTOM
ALUM. EXT. IMN-94649 / 94651 / 94650	1^	28.58"	MITER - LEFT FASCIA SECT 2 TOP
ALUM. EXT. IMN-94649 / 94651 / 94650	1^	28.58"	REVERSE - LEFT FASCIA SECT 2 BOTTOM
ALUM. EXT. IMN-94649 / 94651 / 94650	1^	208.629"	MITER - MID FASCIA SECT 1 TOP
ALUM. EXT. IMN-94649 / 94651 / 94650	1^	208.629"	REVERSE - MID FASCIA SECT 1 BOTTOM
ALUM. EXT. IMN-94649 / 94651 / 94650	2	236"	MID FASCIA SECTION 2
ALUM. EXT. IMN-94649 / 94651 / 94650	1^	200.77"	MITER - MID FASCIA SECT 3 TOP
ALUM. EXT. IMN-94649 / 94651 / 94650	1^	200.77"	REVERSE - MID FASCIA SECT 3 BOTTOM
ALUM. EXT. IMN-94649 / 94651 / 94650	1^*	234"	MITER - RIGHT FASCIA TOP
ALUM. EXT. IMN-94649 / 94651 / 94650	1^*	234"	REVERSE - RIGHT FASCIA BOTTOM
ALUM. TUBE 3/4" x 3/4" x 1/8"	29	23.122"	FACE BRACE VERTICALS
ALUM. TUBE 3/4" x 3/4" x 1/8"	58*	8.252"	FACE BRACE ENDS
ALUM. ANGLE 1 1/2" x 1 1/2" x 3/16"	25	34.806"	WALL MOUNT VERTICALS
ALUM. ANGLE 1 1/2" x 1 1/2" x 3/16"	54	5.438"	WALL MOUNT ENDS & CORNER ANGLES

(**) = MITER BOTH ENDS @ 45°
 (^) = CORNER MITER ONE END @ 45°
 (*) = MITER ONE END @ 45°



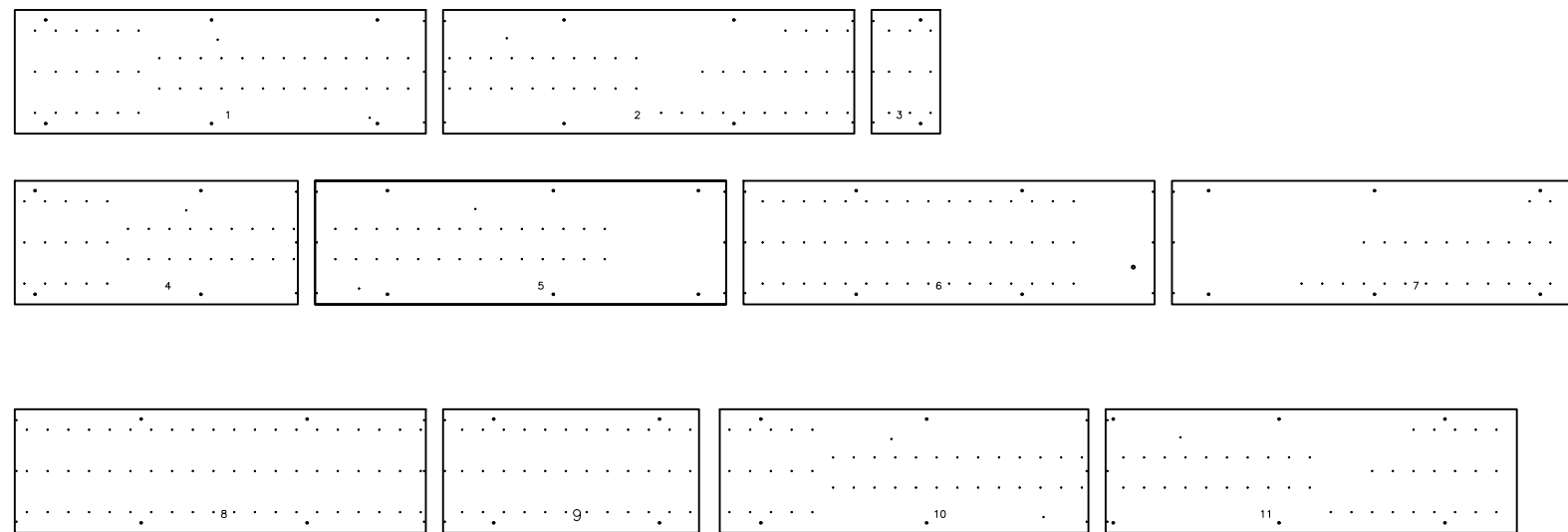
1 ALUM. TUBE 3/4" x 3/4" x 1/8" NTS



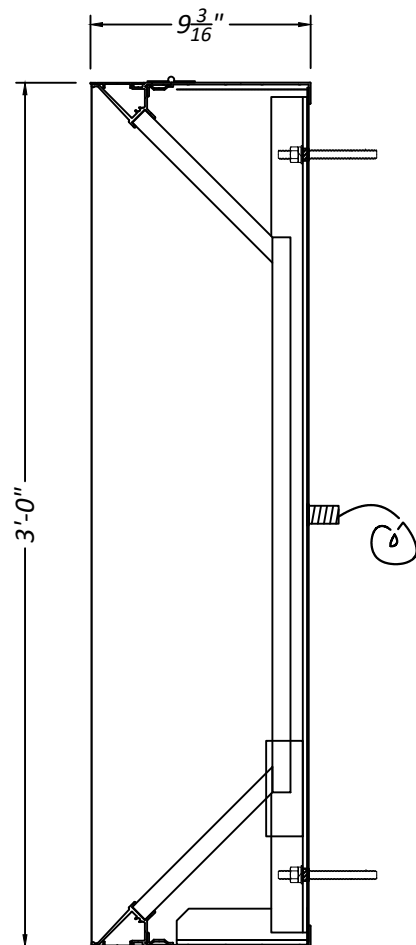
2 ALUM. ANG. 1-1/2" x 1-1/2" x 3/16" NTS

TH1-57164_Custom_Fascia_ROUTER.dxf

3mm Wht. SignaBond ACM



QTY: (1)EA.



SECTION A
 SCALE: 1 1/2" = 1'-0"

Custom Fascia Band

3'-0"x 22'-1" & 3'-0"x 53'-9" & 3'-0"x 19'-6" SF/ WM/ 3 SIDED FASCIA BAND			
INSTALLATION:		INTERIOR	X EXTERIOR
ELECTRICAL SPECIFICATIONS:		WEIGHT: 860 lbs	
VOLTS:	120 VAC	AMP:	6 A
CIRC:			1
ITEM	PART NO.	DESCRIPTION	
1	ALEX0110	Metra IMN-94649-13 Black @ 21'-0"	210 LF
2	ALEX0113	Metra IMN-94650-10 Black @ 21'-0"	210 LF
3	ALEX0116	Metra IMN-94651-10 Black @ 21'-0"	210 LF
4	ALSP0020	Angle Alum 1-1/2"x 1-1/2"x 3/16" @ 25'	100 LF
5	ALSP0126	Tubing Alum 3/4" x 3/4" x 1/8" @ 24'	104 LF
6	ALAC0001	3mm 48"x 120" White Signabond ACM	320 LF
7	VYFL0028	59" x 164' White Panagraphics III 3M	482 SF
8	VYTR0212	3M 3630-6131 Primary Green Vinyl	158 SF
9	VYTR0062	3M 3630-6161 Secondary Green Vinyl	93 SF
10	VYTR0211	3M 3630-22 Black Vinyl	350 SF
11	LEMOD343	Agilight LS-U650-65K-B200-A	419
12	LEPS0079	Agilight PS12-180W-3-A Power Supply	2
13	ELPH0004	Photocell 120V Flush Mount #K4021C	1
14	H-HAXX0035	Ø3" Louver	2
15	N/A	3/8-16 Threaded Rod	50
16	N/A	Lifting Provision	10



www.pattisonsign.com / toll free (866) 218-1976

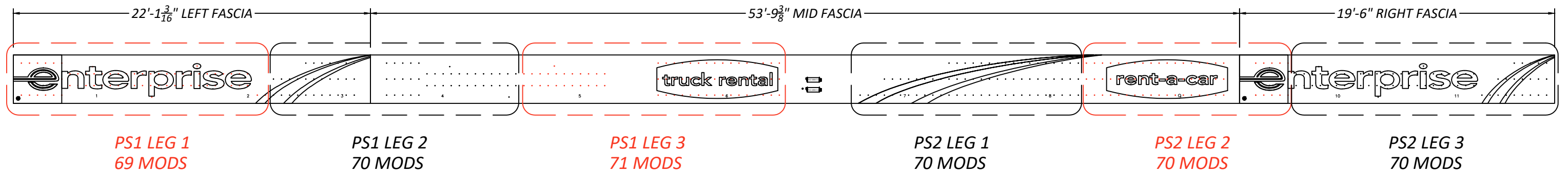
© 2018 PATTISON SIGN GROUP. ALL RIGHTS RESERVED. NO PART OF THIS DRAWING MAY BE REPRODUCED IN ANY FORM WITHOUT WRITTEN PERMISSION FROM PATTISON SIGN GROUP.

		CUSTOMER:	ENTERPRISE HOLDINGS	CASE:	
<small>IF THIS AGREEMENT INCLUDES THE MANUFACTURING AND INSTALLATION OF A BASE(S) BY PATTISON SIGN GROUP FOR THE SIGNS ORDERED HEREIN, SUCH BASE(S) SHALL BE BUILT AND INSTALLED IN ACCORDANCE WITH APPLICABLE LAWS AND REGULATIONS. IF A BASE(S) IS TO BE BUILT OR PROVIDED BY THE CUSTOMER FOR AGENTS AND NOT BY PATTISON SIGN GROUP, THE CUSTOMER SHALL ENSURE THAT THE BASE(S) ARE BUILT AND INSTALLED IN ACCORDANCE WITH APPLICABLE LAWS AND REGULATIONS AND SHALL HOLD PATTISON SIGN GROUP AND ITS EMPLOYEES, REPRESENTATIVES, AGENTS AND OFFICERS HARMLESS AND INDEMNIFY IT AGAINST ANY AND ALL CLAIMS, LIABILITIES, ACTIONS, PENALTIES, FINES, AND ANY LEGAL FEES INCURRED BY PATTISON SIGN GROUP ARISING FROM THE FAILURE OF THE CUSTOMER (AND/OR ITS AGENT) OBLIGATIONS.</small>		LOCATION:	225 Huntmar Road, Kanata, ON CANADA	DATE:	06/25/20
DRAWN BY:	T Dangmeon	CHECKED BY:		JOB:	
PROJECT ID:	TH1-57164	PAGE:		4 of 6	

Custom Fascia Band

3'-0" x 22'-1" & 3'-0" x 53'-9" & 3'-0" x 19'-6"
SF/ WM/ 3 SIDED FASCIA BAND

INSTALLATION:	<input type="checkbox"/> INTERIOR	<input checked="" type="checkbox"/> EXTERIOR
ELECTRICAL SPECIFICATIONS:	WEIGHT: 860 lbs	
VOLTS: 120 VAC	AMP: 6 A	CIRC: 1



1 LED WIRING DIAGRAM NTS

NOTE:
USE STANDARD BLACK & WHITE
STRANDED WIRE TO WIRE
SECONDARY LEADS



www.pattisonsign.com / toll free (866) 218-1976

© 2018 PATTISON SIGN GROUP. ALL RIGHTS RESERVED. NO PART OF THIS DRAWING MAY BE REPRODUCED IN ANY FORM WITHOUT WRITTEN PERMISSION FROM PATTISON SIGN GROUP.

		CUSTOMER:	ENTERPRISE HOLDINGS	CASE:	
IF THIS AGREEMENT INCLUDES THE MANUFACTURING AND INSTALLATION OF A BASE(S) BY PATTISON SIGN GROUP FOR THE SIGNS ORDERED HEREIN, SUCH BASE(S) SHALL BE BUILT AND INSTALLED IN ACCORDANCE WITH APPLICABLE LAWS AND REGULATIONS. IF A BASE(S) IS TO BE BUILT OR PROVIDED BY THE CUSTOMER OR AGENT, AND NOT BY PATTISON SIGN GROUP, THE CUSTOMER SHALL ENSURE THAT THE BASE(S) ARE BUILT AND INSTALLED IN ACCORDANCE WITH APPLICABLE LAWS AND REGULATIONS AND SHALL HOLD PATTISON SIGN GROUP AND ITS EMPLOYEES, REPRESENTATIVES, AGENTS AND OFFICERS, HARMLESS AND INDEMNIFY IT AGAINST ANY AND ALL CLAIMS, LIABILITIES, ACTIONS, PENALTIES, FINES, AND ANY LEGAL FEES INCURRED BY PATTISON SIGN GROUP ARISING FROM THE FAILURE OF THE CUSTOMER (AND/OR ITS AGENT) OBLIGATIONS.		LOCATION:	225 Huntmar Road, Kanata, ON CANADA	DATE:	06/25/20
		DRAWN BY:	T Dangmeon	JOB:	
		CHECKED BY:		PAGE:	5 of 6
		PROJECT ID:	TH1-57164		