

Annie Griffiths

m: Matt Morris <matt@morriseng.ca>
Sent: Friday, September 4, 2020 2:51 PM
To: gaines@bellnet.ca
Cc: Keith Oster; Annie Griffiths; Dena Zwarich
Subject: FW: Carleton Place Arena - Electrical Shop Drawings #3
Attachments: GBE Letter of Transmittal 03.pdf

SUBMITTAL / SHOP DRAWING REVIEW

This submittal/shop drawing review is for general conformance with drawings and specifications only.
Contractor is completely responsible for all dimensions, details, quantities, supply, installation and construction.
This review does not in any way relieve the Contractor of responsibility for compliance with the Contract Documents.

Client:	Larry Gaines Architect
Project:	Carleton Place Arena
Submittal:	Electrical Distribution
Notes:	- No comment
MORRIS ENGINEERING LTD. 68 William Street, Suite 200, Brockville, Ontario (613)499-2077	

Thanks,

Matt

Matt Morris P.Eng.
MORRIS Engineering Ltd.
68 William Street, Suite 206
Brockville, ON
Bus. (613)499-2077
Cel. (613)349-0555

From: Dena Zwarich [mailto:dena@tal-co.com]
nt: Tuesday, August 18, 2020 10:45 AM
To: Matt Morris <matt@morriseng.ca>



Hammond Power Solutions Inc.

TITLE: 3PH DISTRIBUTION TRANSFORMER
NAMEPLATE INFORMATION

1	20/06/23	PP	NPL UPDATE	DES: PPICASSI
NO.	DATE	BY	REVISION	SCALE: NTS

SHEET 1 OF 2

EDBEG3A0045PB

1.0 Jwen 2020/06/23 16:39

Hammond Power Solutions
Guelph, ONT Compton, CA

Baraboo, WI

Monterrey, MX

HPS Express™ G

Energy Efficient Distribution Transformer
Transformateur de Distribution à Bon Rendement Énergétique

Part No. **EG3A0045PB**

Serial No. []

HV/HT 600V

BIL 43.3A

Term Bornes H1 H2 H3

LV/BT 208Y/120V 125A

BIL -- kV

Term Bornes X0 X1 X2 X3

Energy Regulations DOE 10 CFR PART 431:2016

Energy Regulations CEE ACT SOR/2018-201

LR 3902

UL

LISTED

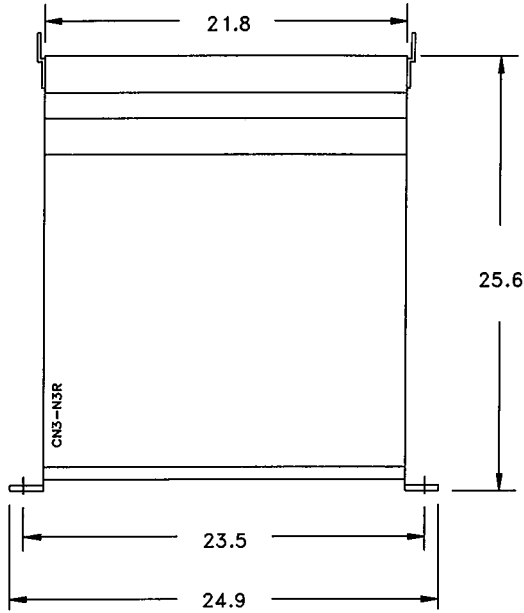
SPACINGS BETWEEN ANY VENTILATED ENCLOSURE PANEL AND ANY ADJACENT WALL SHALL BE A MINIMUM OF 3 INCHES

Hammond Power Solutions 803423146366

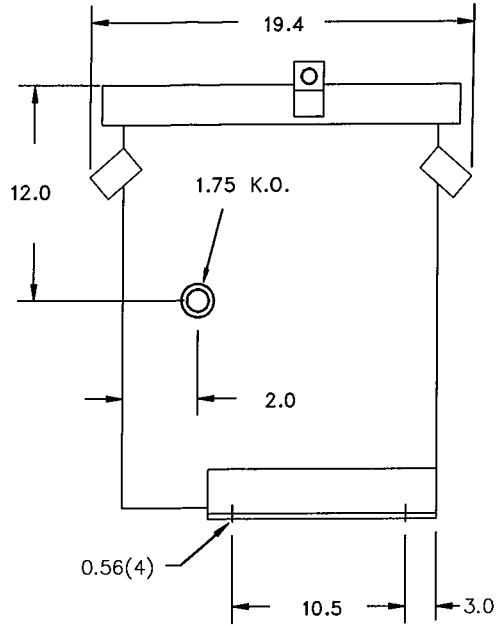
ALSO VERIFIED IN ACCORDANCE TO ENERGY STANDARD CRO2.2-18 BY UNDERWRITERS LABORATORIES INC. 03/16

VOLTS	CURRENT COURANT	% RATED % TENSION NOMINALE	CONNECTION FACH PHASE CONNEXION PAR PHASE
630	41.2	105	1
615	42.2	102.5	2
600	43.3	100	3
585	44.4	97.5	4
570	45.6	95	5

d000193hb



All Dimensions in inches



ENCLOSURE COLOR : ANSI 61 GREY – INDOOR

HV TERMINAL DETAIL

LV TERMINAL DETAIL

MECHANICAL TYPE LUGS INCLUDED
SUITABLE FOR #14-2 CU/AL
CONDUCTORS
1 CONDUCTOR PER PHASE

MECHANICAL TYPE LUGS INCLUDED
SUITABLE FOR 250MCM-6 CU/AL
CONDUCTORS
1 CONDUCTOR PER PHASE

CUSTOMER NOTES:

- HV TERMINATED AT BOTTOM FRONT
- LV TERMINATED AT BOTTOM FRONT



Hammond Power Solutions Inc.

TITLE: 3PH DISTRIBUTION TRANSFORMER

1	20/06/23	PP	NPL UPDATE	DES: PPLICASSI
				DATE: 17/10/16
NO.	DATE	BY	REVISION	SCALE: NTS

SHEET 2 OF 2

EDBEG3A0045PB

1.0 [wen 2020/06/23 16:39]

Prepared By:
Brian Lacombe
175 Richmond Road
Ottawa, ON K1Z6W3
D:613-722-4611

Proposal Name: Carleton Place Arena

Quote Name: Carleton Place Arena

Proposal Number: P-200702-1704930

Quote Number: Q-1842928

Through Addenda Number: 0

Sales Representative: Chris Saucier

Conditions of Sale

The quotation and accompanying Bill of Material and Quote Addendum are to be considered as one entity. This quotation is subject to Schneider Electric CANADA, Inc.'s published terms and conditions.

This quotation is per our interpretation only of information available at time of quotation. It is the responsibility of the purchaser to confirm this bill of material. Changes to this bill of material could result in a price increase. Unless noted otherwise, lamicoid nameplates, fuses, entry plates, co-ordination study and pre-service testing are not included in this quotation.

All equipment to be finished standard ASA gray.

Shipment estimates do not include transit time. Transportation times vary depending on plant location, shipping method, site destination, weather conditions and or border clearance times. If required, please work with your Schneider Electric Project Manager to determine estimated transit time.

Quote is valid for 60 days. Quoted lead times are approximate and subject to change.

Clarifications and Exceptions

Seq #	Qty	Product Description
1	1	<p>Designation : Panel P1</p> <p>Product Details:</p> <p>1 - NQ MB Panel (INTERIOR)-NQ Panelboard Consisting of 208Y/120V 3Ph 4W 60Hz SCCR: 10kA Fully Rated Single Main: 200A/3P QB Circuit Breaker Incoming Conductors: 1 - #4 - 300 kcmil AL Ground Bar Bus: 225A Rated Copper: Silver/Tin Plated 72 Circuit Interior Type 1,Box: 56H x 20W x 5.75D Incoming: Bottom Trim: Flush with Door Box Cat No: MH56 Front Cat No: NC56F Ref. Drawing: PBA707A</p> <p>Feeders: 3 - 50A/3P QOB 2 - 15A/2P QOB 31 - 15A/1P QOB 14 - 15A/1P QOB Prepared Space 1 - 50A/2P QOB</p> <p>Optional Features: Standard Panel (Box Ahead),Standard Solid Neutral,Standard Ground Bar 1 - MH56-PANELBOARD ENCLOSURE</p> <p>1 - NC56F-NF PANEL TRIM FLUSH 20W x 56H, TYPE1</p>

Estimated days to ship, excluding transit: 15 working days after customer release to manufacturer. See Conditions of Sale.

Seq #	Qty	Product Description
2	1	<p>Designation : Panel Kitchen</p> <p>Product Details:</p> <p>1 - NQ MB Panel (INTERIOR)-NQ Panelboard Consisting of 208Y/120V 3Ph 4W 60Hz SCCR: 10kA Fully Rated Single Main: 100A/3P QB Circuit Breaker Incoming Conductors: 1 - #4 - 300 kcmil AL Ground Bar Bus: 225A Rated Copper: Silver/Tin Plated 30 Circuit Interior Type 1,Box: 44H x 20W x 5.75D Incoming: Bottom Trim: Flush with Door Box Cat No: MH44 Front Cat No: NC44F Ref. Drawing: PBA707A</p> <p>Feeders: 10 - 15A/1P QOB 6 - 15A/1P QOB Prepared Space</p> <p>Optional Features: Standard Panel (Box Ahead),Standard Solid Neutral,Standard Ground Bar 1 - MH44-PANELBOARD ENCLOSURE</p> <p>1 - NC44F-20 X 44 FLUSH TRIM</p>

Estimated days to ship, excluding transit: 15 working days after customer release to manufacturer. See Conditions of Sale.

Seq #	Qty	Product Description
3	1	<p>Designation : Panel Lobby</p> <p>Product Details:</p> <p>1 - NQ MB Panel (INTERIOR)-NQ Panelboard Consisting of 208Y/120V 3Ph 4W 60Hz SCCR: 10kA Fully Rated Single Main: 225A/3P QB Circuit Breaker Incoming Conductors: 1 - #4 - 300 kcmil AL Ground Bar Bus: 225A Rated Copper: Silver/Tin Plated 42 Circuit Interior Type 2 (Driphood)Box: 50H x 20W x 5.75D Incoming: Bottom Trim: Surface with Door</p>

Box Cat No: MH50H Front Cat No: NC50S
 Ref. Drawing: PBA707A
 Feeders:
 42 - 15A/1P QOB
 Optional Features:
 Standard Panel (Box Ahead), Drip
 Hood, Standard Solid Neutral, Standard
 Ground Bar
 1 - MH50H-MH BOX 50 IN LONG WITH DRIPHOOD

 1 - NC50S-PANELBOARD TRIM

Estimated days to ship, excluding transit: 15 working days after customer release to manufacturer. See Conditions of Sale.

Seq #	Qty	Product Description
4	1	Designation : Contactor Product Details: 1 - 8903LG40V02C-LIGHTING CONTACTOR 600V Class 8903 Multi-pole lighting contactor 8903LG40V02C Contactor rating - 20 Amps Tung/Res, 30 Amps Ballast Non-combination lighting contactor 4 pole device With 4 NO and 0 NC contacts. Type 1 Enclosure Separate control source selected with 120V 60Hz coil Auxiliary contacts - None Control units supplied C - HAND-OFF-AUTO selector switch Pilot lights supplied None Revision - 7/2/2020 - (S20200615/S20200615) 7/2/2020 5:36:14 PM
5	1	Designation : Product Details: CHU362-HEAVY DUTY SAFETY SWITCH 60A
6	2	Designation : Product Details: MD3604X-Switch Motor Disconnect 60A 3P NEMA 4X

REV	DESCRIPTION	BY	DATE				
---	---	---	---	---	---	---	---

CKT NO	ACCESSORIES	TYPE	RATING AMP/P		RATING AMP/P	TYPE	ACCESSORIES	CKT NO
3		QOB	50/3		50/3	QOB		2
5					4			
7					6			
9		QOB	50/3		8			
11					10			
13					12			
15		QOB	15/2		14			
17		QOB	15/1		16			
19		QOB	15/1		18			
21		QOB	15/1		20			
23		QOB	15/1		22			
25		QOB	15/1		24			
27		QOB	15/1		26			
29		QOB	15/1		28			
31		QOB	15/1		30			
33		QOB	15/1		32			
35		QOB	15/1		34			
37		QOB	15/1		36			
39		QOB	15/1		38			
41		QOB	15/1		40			
43		QOB	15/1		42			
45		QOB	15/1		44			
47	PREPARED SPACE	QOB	15/1		46			
49	PREPARED SPACE	QOB	15/1		48			
51	PREPARED SPACE	QOB	15/1		50			
53	PREPARED SPACE	QOB	15/1		52			
55	PREPARED SPACE	QOB	15/1		54			
57	PREPARED SPACE	QOB	15/1		56			
59	PREPARED SPACE	QOB	15/1		58			
61	BLANK				60			
63	BLANK				62			
	BLANK				64			
	BLANK				66			
	BLANK				68			
69	BLANK				70			
71	BLANK				72			

PHYSICAL DATA

ENCLOSURE Type 1
 Flush with Door
 FRONT CAT#: NC56F
 BOX CAT#: MH56
 DIMENSIONS:
 56"(1422mm)Hx20"(508mm)Wx5.75"(146mm)D
 PBA: 707A
 BUSSING: 225A RATED COPPER BUS
 Silver/Tin Plated
 OPTIONAL FEATURES:
 ALUMINUM SOLID NEUTRAL
 ALUMINUM GROUND BAR

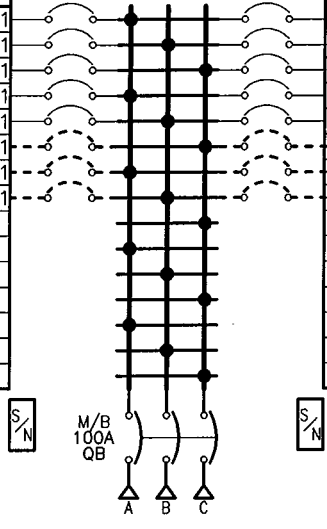
ELECTRICAL DATA

SYSTEM: 208Y/120V 3Ph 4W 60Hz
 System Ampacity: 200A
 10ka SYMS. SCCR
 MAIN: MAIN BREAKER QB 200A
 Bottom FEED
 10ka AIR
 INCOMING CONDUCTORS(S) PER NEC, CEC, NOM:
 Wire Bending Space:
 Phase Lugs:1 - #4 - 300 kcmil
 -----BRANCH SUMMATION-----
 3 - 50A/3P QOB 2 - 15A/2P QOB
 31 - 15A/1P QOB 14 - 15A/1P-PS QOB
 1 - 50A/2P QOB

JOB NAME:	Carleton Place Arena	EQUIPMENT DESIGNATION:	Panel P1
JOB LOCATION:		EQUIPMENT TYPE:	NQ (Circuit Breaker Type) PANEL 1 OF 1
DRAWN BY:	(Q2C)	DRAWING TYPE:	ONE LINE DIAGRAM
ENGR:			
DATE:	August 14 2020	DWG#	OQ-1842928-49677197-01
DRAWING STATUS:	QUOTE	PG	1 OF 1 REV -

REV	DESCRIPTION	BY	DATE				
--	----	--	---/---/---	--	----	--	---/---/---

NO	ACCESSORIES	TYPE	RATING AMP/P		RATING AMP/P	TYPE	ACCESSORIES	CKT NO
1		QOB	15/1		15/1	QOB		2
3		QOB	15/1		15/1	QOB		4
5		QOB	15/1		15/1	QOB		6
7		QOB	15/1		15/1	QOB		8
9		QOB	15/1		15/1	QOB		10
11	PREPARED SPACE	QOB	15/1		15/1	QOB	PREPARED SPACE	12
13	PREPARED SPACE	QOB	15/1		15/1	QOB	PREPARED SPACE	14
15	PREPARED SPACE	QOB	15/1		15/1	QOB	PREPARED SPACE	16
17	BLANK						BLANK	18
19	BLANK						BLANK	20
21	BLANK						BLANK	22
23	BLANK						BLANK	24
25	BLANK						BLANK	26
27	BLANK						BLANK	28
29	BLANK						BLANK	30



PHYSICAL DATA

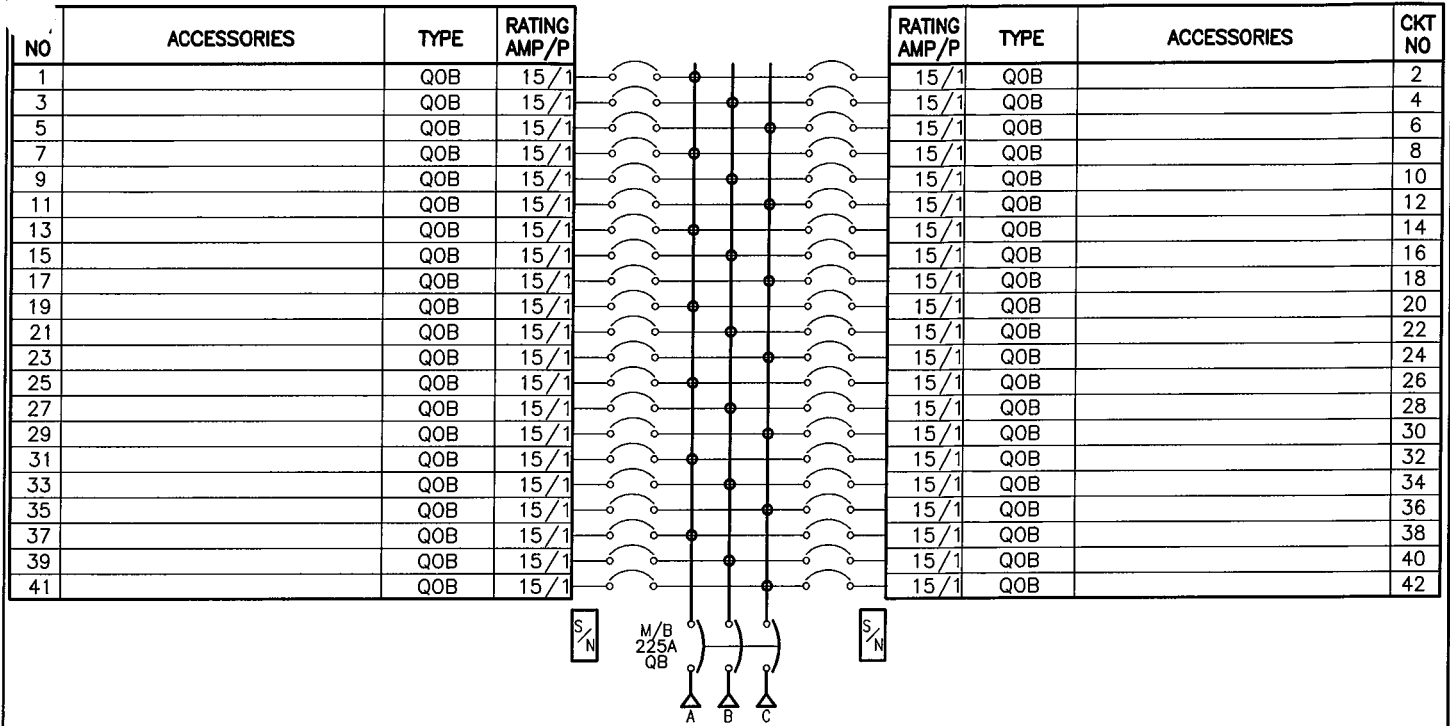
ENCLOSURE Type 1
 Flush with Door
 FRONT CAT#: NC44F
 BOX CAT#: MH44
 DIMENSIONS:
 44"(1118mm)Hx20"(508mm)Wx5.75"(146mm)D
 PBA: 707A
 BUSSING: 225A RATED COPPER BUS
 Silver/Tin Plated
 OPTIONAL FEATURES:
 ALUMINUM SOLID NEUTRAL
 ALUMINUM GROUND BAR

ELECTRICAL DATA

SYSTEM: 208Y/120V 3Ph 4W 60Hz
 System Ampacity: 100A
 10kA SYMS. SCCR
 MAIN: MAIN BREAKER QB 100A
 Bottom FEED
 10kA AIR
 INCOMING CONDUCTORS(S) PER NEC, CEC, NOM:
 Wire Bending Space:
 Phase Lugs:1 - #4 - 300 kcmil
 -----BRANCH SUMMATION-----
 10 - 15A/1P QOB 6 - 15A/1P-PS QOB

B NAME: Carleton Place Arena	EQUIPMENT DESIGNATION: Panel Kitchen
JOB LOCATION:	EQUIPMENT TYPE: NQ (Circuit Breaker Type) PANEL 1 OF 1
DRAWN BY: (Q2C)	DRAWING TYPE: ONE LINE DIAGRAM
ENGR:	SQUARE D by Schneider Electric
DATE: August 14 2020	
DRAWING STATUS: QUOTE	DWG# OQ-1842928-49677380-01 PG 1 OF 1 REV --

REV	DESCRIPTION	BY	DATE	--	----	--	---/---/---
--	----	--	---/---/---	--	----	--	---/---/---



PHYSICAL DATA

ENCLOSURE Type 2
 Surface with Door
 FRONT CAT#: NC50S
 BOX CAT#: MH50H
 DIMENSIONS:
 50"(1270mm)Hx20"(508mm)Wx5.75"(146mm)D
 PBA: 707A
 BUSSING: 225A RATED COPPER BUS
 Silver/Tin Plated
 OPTIONAL FEATURES:
 DRIP HOOD
 ALUMINUM SOLID NEUTRAL
 ALUMINUM GROUND BAR


ELECTRICAL DATA

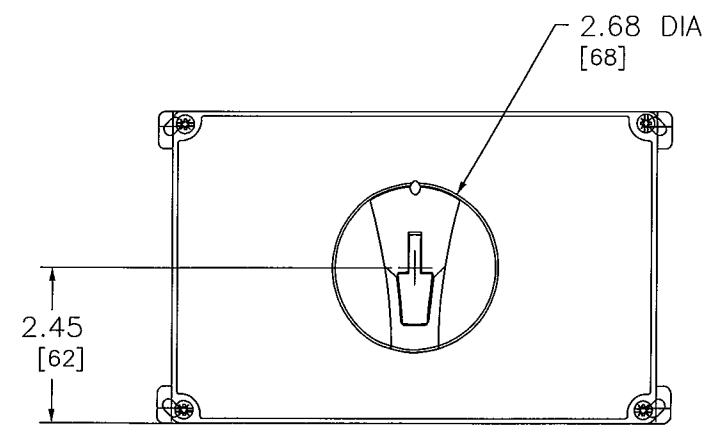
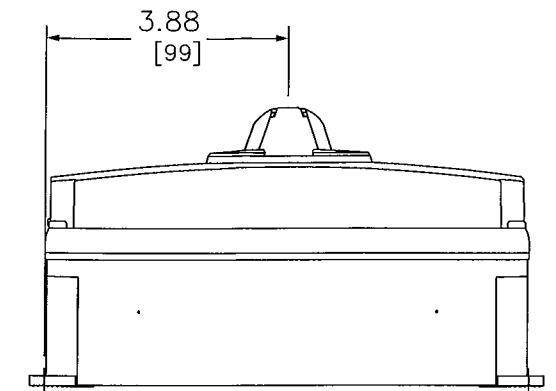
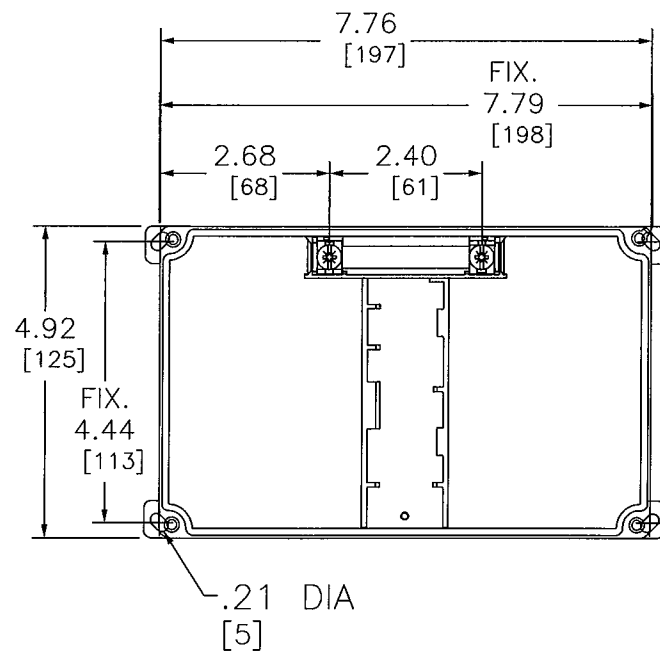
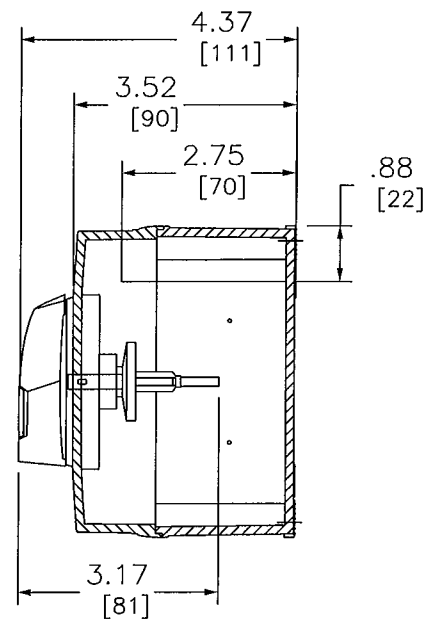
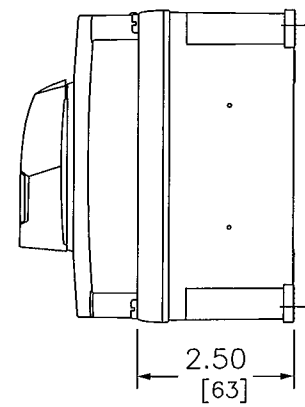
SYSTEM: 208Y/120V 3Ph 4W 60Hz
 System Ampacity: 225A
 10kA SYMS. SCCR
 MAIN: MAIN BREAKER QB 225A
 Bottom FEED
 10kA AIR
 INCOMING CONDUCTORS(S) PER NEC, CEC, NOM:
 Wire Bending Space:
 Phase Lugs: 1 - #4 - 300 kcmil
 -----BRANCH SUMMATION-----
 42 - 15A/1P QOB

B NAME: Carleton Place Arena	EQUIPMENT DESIGNATION: Panel Lobby
JOB LOCATION:	EQUIPMENT TYPE: NQ (Circuit Breaker Type) PANEL 1 OF 1
DRAWN BY: (Q2C)	DRAWING TYPE: ONE LINE DIAGRAM
ENGR:	SQUARE D by Schneider Electric
DATE: August 14 2020	
DRAWING STATUS: QUOTE	DWG# OQ-1842928-49677607-01 PG 1 OF 1 REV -

REV	DESCRIPTION	BY	DATE	-	----	---	---/---/---	---
-	----	---	---/---/---	-	----	---	---/---/---	---

THE ITEM YOU HAVE SELECTED REQUIRES ENGINEERING TO DETERMINE THE ENCLOSURE DIMENSIONS OF THE DEVICE YOU HAVE SELECTED. PLEASE CONTACT THE APPROPRIATE ORDER LOCATION IF YOU REQUIRE A QUOTE DRAWING AND PROVIDE THEM WITH THE EXACT CATALOG NUMBER, Q2C NUMBER AND ITEM NUMBER FOR THE DEVICE REQUIRED.

B NAME: Carleton Place Arena	EQUIPMENT DESIGNATION: Contactor
JOB LOCATION:	EQUIPMENT TYPE:
DRAWN BY: (Q2C)	DRAWING TYPE:
ENGR:	 <small>by Schneider Electric</small>
DATE: August 14 2020	
DRAWING STATUS: QUOTE	DWG# FQ-1842928-49677913-01 PG 1 OF 1 REV -



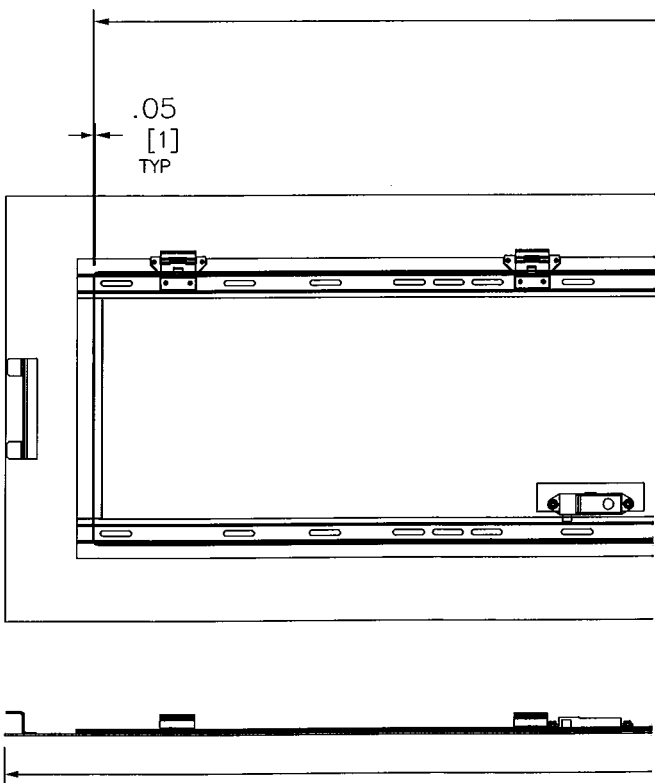
DUAL DIMENSIONS: INCHES
MILLIMETERS

SWITCH MOTOR DISCONNECT 60A 3P NEMA 4X
(MECHANISM, OPERATING, DOOR MOUNTED, TYPE V)



DWG# MD3604X
NO.

A		B		C	
IN	MM	IN	MM	IN	MM
26.12	663	17.70	436	6.16	156
32.12	816	23.70	602	9.16	233
38.12	968	29.70	754	12.16	309
44.12	1121	35.70	907	15.16	385
50.12	1273	41.70	1059	18.16	461
56.12	1425	47.70	1212	21.16	537
62.12	1578	53.70	1364	24.16	614
68.12	1730	59.70	1516	27.16	690
74.12	1883	65.70	1669	30.16	766
80.12	2035	71.70	1821	33.16	842
27.52	699	17.70	436	6.16	156
33.52	851	23.70	602	9.16	233
39.52	1004	29.70	754	12.16	309
45.52	1156	35.70	907	15.16	385
51.52	1309	41.70	1059	18.16	461
57.52	1461	47.70	1212	21.16	537
63.52	1613	53.70	1364	24.16	614
69.52	1766	59.70	1516	27.16	690
75.52	1918	65.70	1669	30.16	766
81.52	2071	71.70	1821	33.16	842
86.12	2187	77.70	1974	36.16	918
87.52	2071	77.70	1974	36.16	918
35.12	892	26.70	678	10.66	271
36.52	928	26.70	678	10.66	271
41.12	1044	32.70	831	13.66	347
42.52	1080	32.70	831	13.66	347
92.12	2340	83.70	2126	39.16	995

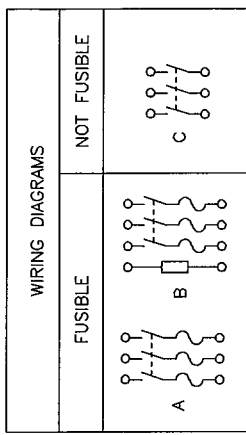


DUAL DIMENSIONS: INCHES
MILLIMETERS

SQUARE D™

by Schneider Electric

DWG# PWFDS-SYTI-0164
NO.

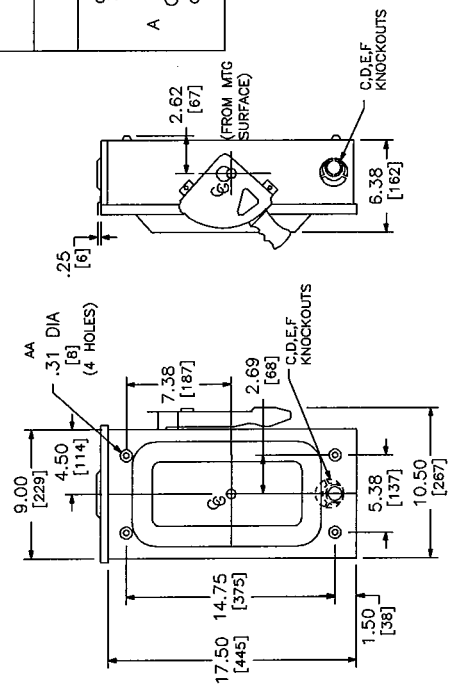


TERMINAL LUGS #

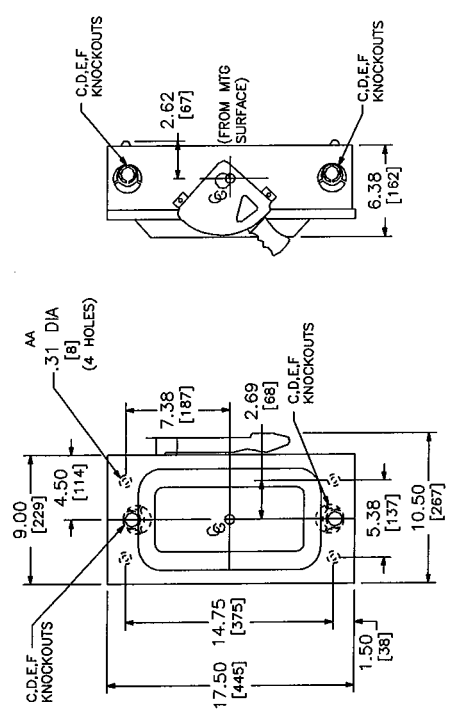
AMPERES	MAX. WIRE #	MIN. WIRE	TYPE
60	# 2 AWG	# 14 AWG	AL
	# 2 AWG	# 14 AWG	CU

KNOCKOUTS

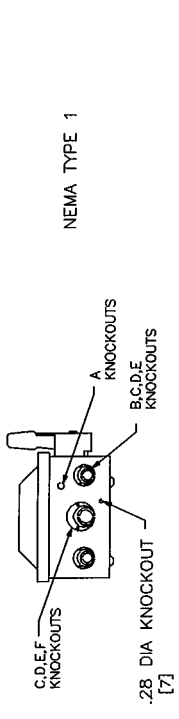
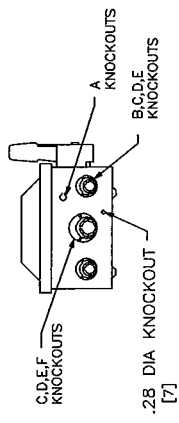
SYMBOL	CONDUIT SIZE		DIAMETER	
	IN	MM	IN	MM
A	.50	13	.88	22
B	.75	19	1.13	29
C	1.00	25	1.38	35
D	1.25	32	1.75	45
E	1.50	38	2.00	51
F	2.00	51	2.50	64



NEMA TYPE 3R ▲



NEMA TYPE 1



DUAL DIMENSIONS: INCHES, MILLIMETERS

CATALOG NUMBER	VOLTAGE RATINGS	WIRING DIAG	HORSEPOWER RATINGS							
			250VAC		480VAC		600VAC			
			STD	MAX	STD	MAX	STD	MAX		
H362	600VAC:600VDC	A	—	—	15	30	15	30	15	30
H362RB	600VAC:600VDC	B	—	—	15	30	15	30	15	30
H362NR	600VAC:600VDC	C	—	—	15	30	15	30	15	30
H362R	600VAC:600VDC	C	—	—	15	30	15	30	15	30
H362RB	600VAC:600VDC	C	—	—	15	30	15	30	15	30

SEISMIC NOTES:
USE (4) 1/4" DIA GRADE 5 STEEL MOUNTING BOLTS @ HOLES AA FOR THE PURPOSE OF DETERMINING SEISMIC MOUNTING REQUIREMENTS. FOR ALL OTHER APPLICATIONS, CONTACT SQUARE D COMPANY.

NOTES:
FINISH — GRAY BAKED ENAMEL.
UL LISTED FILE E-2875
ALL NEUTRALS INSULATED GROUNDABLE
SHARP POINT USE FOR EQUIPMENT
SHARP POINT CURRENT RATING
10,000 AMPERES WITH CLASS H OR K FUSES
200,000 AMPERES WITH CLASS R FUSES
WHEN MOUNTING THESE SWITCHES, ALLOW 4.00"(102) MIN. CLEARANCE BETWEEN ENCLOSURES FOR OPENING OF SIDE HINGED DOOR
▲ NEMA TYPE 3R SWITCHES HAVE PROVISIONS FOR MAXIMUM 2.50"/(64) BOLT-ON B-HUB.
LUGS SUITABLE FOR 60°C OR 75°C COPPER OR ALUMINUM CONDUCTORS.

HEAVY DUTY SAFETY SWITCHES — SEISMIC
VISIBLE BLADE TYPE
60 AMPERE
ENCLOSURE — NEMA TYPE 1 GENERAL PURPOSE
NEMA TYPE 3R RAINPROOF

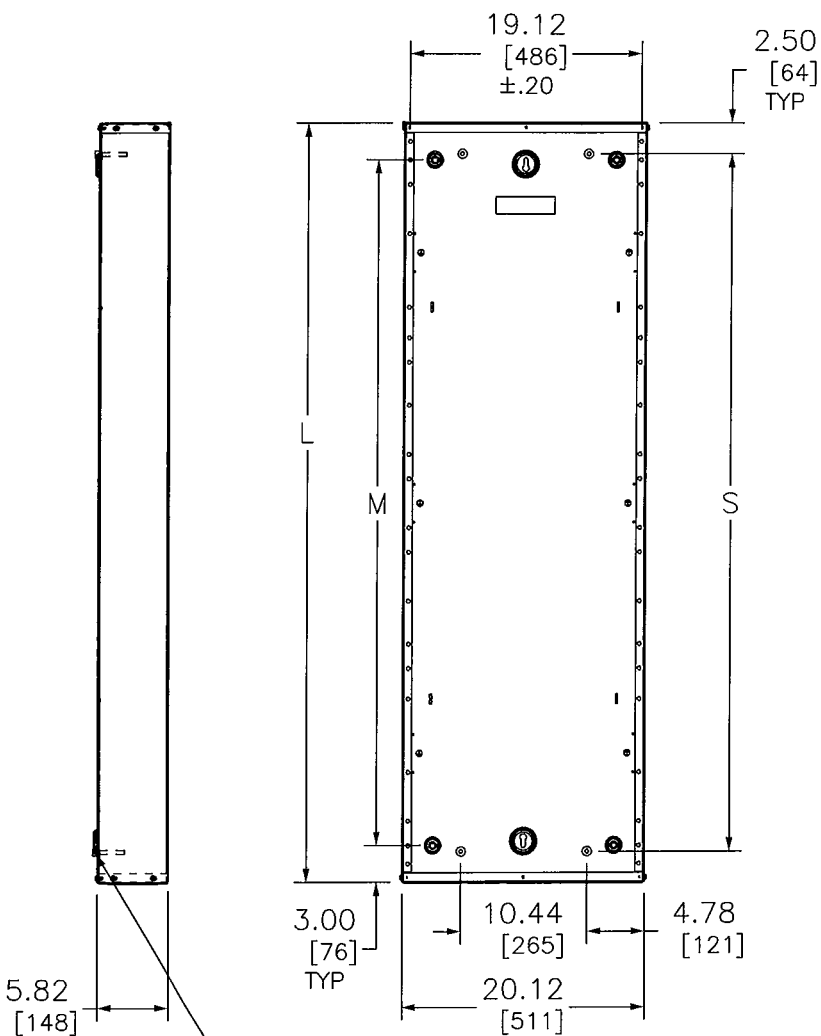


DWG# 1897S
NO.

JUNE 2009

REF DWG #1897

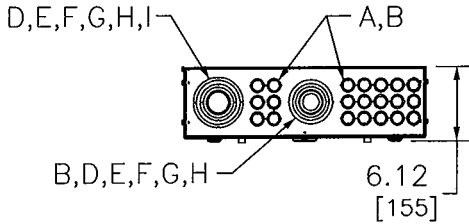
REV	DESCRIPTION	BY	DATE				
---	---	---	---	---	---	---	---



DIMPLES ARE
.30/[8] DEEP

KNOCKOUTS				
SYMBOL	CONDUIT SIZE		KNOCKOUT DIA	
	IN	MM	IN	MM
A	.50	13	.88	22
B	.75	19	1.12	28
D	1.25	32	1.75	44
E	1.50	38	2.00	51
F	2.00	51	2.50	64
G	2.50	64	3.00	76
H	3.00	76	3.62	92
I	3.50	89	4.12	105

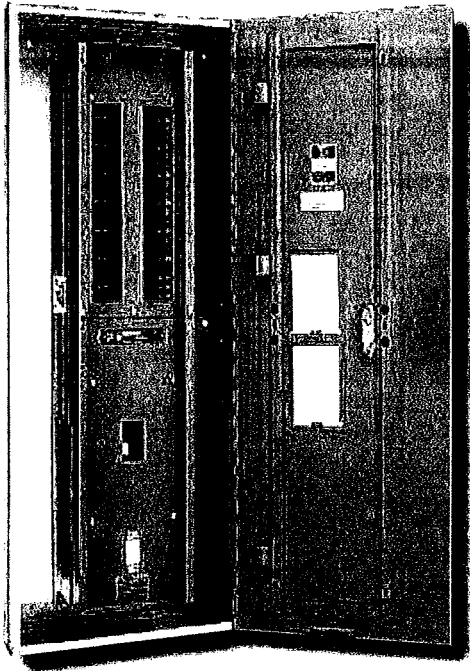
DUAL DIMENSIONS: INCHES
MILLIMETERS



REFERENCE CATALOG NO	L		S		M	
	IN	MM	IN	MM	IN	MM
MH26	26.00	660	21.00	533	20.00	508
MH32	32.00	813	27.00	686	26.00	660
MH38	38.00	965	33.00	838	32.00	813
MH44	44.00	1118	39.00	991	38.00	965
MH50	50.00	1270	45.00	1143	44.00	1118
MH56	56.00	1422	51.00	1295	50.00	1270
MH62	62.00	1575	57.00	1448	56.00	1422
MH68	68.00	1727	63.00	1600	62.00	1575
MH74	74.00	1880	69.00	1753	68.00	1727
MH80	80.00	2032	75.00	1905	74.00	1880
MH86	86.00	2184	81.00	2057	80.00	2032
MH92	92.00	2337	87.00	2210	86.00	2184

JOB NAME: ---	EQUIPMENT DESIGNATION: ---	SQUARE D by Schneider Electric
JOB LOCATION: ---	EQUIPMENT TYPE: NEMA 1 BOXES	
DRAWN BY: ---	DRAWING TYPE: ---	
ENGR: ---		
DATE: JULY 2018		
DRAWING STATUS: ---	DWG# PBA600	PG 1 Of Page 1 REV 12

NQ Lighting Panelboards



Developed with electrical contractor input, the NQ family of lighting and appliance panelboards sets new standards for ease of installation and durability. Plus, new design innovations increase the availability of these panelboards by offering complete ready to install products.

Features

- 240Vac, 48Vdc maximum
- 600A maximum main circuit breakers or main lugs
- 150A maximum branch circuit breakers
- 10,000A through 200,000A SCCR
- Both fully rated and series rated systems are available
- Interiors are field convertible to top or bottom feed
- Interiors are available in plated copper or aluminum bus
- Interiors accept both bolt-on and plug-on branch circuit breakers
- Complete line of UL/cUL listed interiors with 200% rated neutrals for non-linear loads
- Suitable for use as service entrance equipment
- 20" wide trims and boxes common for NQ and NF panelboards
- Mono-flat® or hinged trims

Factory Options

- 1P3W or 3P4W – 600A main lugs and main breaker panelboards
- Sub-feed and thru-feed lugs
- Sub-feed circuit breakers
- Optional 200% rated neutrals up to 400A
- Split bus bars
- TVSS
 - 100,000A – 240,000A surge current rating
 - All voltage systems
- Lighting contactors
- Customer equipment space

“Ready-to-Install” Panels and Kits Available from Stock

- 100A – 600A MLO 1P3W and 3P4W Interiors
- NEMA 1 and 3R/12 enclosures
- 100A – 400A main circuit breaker kits
- TVSS interiors
 - 120,000A or 160,000A surge current ratings
- 100A – 400A sub-feed and thru-feed lugs
- Sub-feed circuit breaker kits
 - 1 – 225A sub-feed circuit breaker per 225A panelboard
 - 2 – 225A sub-feed circuit breakers per 400A panelboard
- 200% neutral kits up to 400A
- Copper neutrals and equipment ground bars

