

TAL-CO BUILDING INNOVATIONS LTD



28 Bank Street, Suite A

Ottawa, Ontario

K1T 3W7

Ph: 613-821-3959

Fax: 613-821-2938

www.tal-co.com

From: Matt Morris <matt@morriseng.ca>

Sent: September 4, 2020 3:04 PM

To: gaines@bellnet.ca

Cc: Keith Oster <koster@tal-co.com>; Annie Griffiths <annie@tal-co.com>; Dena Zwarich <dena@tal-co.com>

Subject: FW: Carleton Place Arena - Mechanical Shop Drawings

SUBMITTAL / SHOP DRAWING REVIEW

This submittal/shop drawing review is for general conformance with drawings and specifications only.
Contractor is completely responsible for all dimensions, details, quantities, supply, installation and construction.
This review does not in any way relieve the Contractor of responsibility for compliance with the Contract Documents.

Client:	Larry Gaines Architect
Project:	Carleton Place Arena
Submittal:	Plumbing Fixtures
Notes:	URINAL: - Verify final rim height with Architect

MORRIS ENGINEERING LTD.

68 William Street, Suite 200, Brockville, Ontario
(613)499-2077

Thanks,

Matt

Matt Morris P.Eng.

MORRIS Engineering Ltd.

68 William Street, Suite 206

Brockville, ON

Bus. (613)499-2077

Cel. (613)349-0555

Annie Griffiths

From: Larry <gaines@bellnet.ca>
Sent: Wednesday, September 9, 2020 4:42 PM
To: Annie Griffiths
Cc: Matt Morris
Subject: Re: Carleton Place Arena - Mechanical Shop Drawings

Annie

There is no specific rim height for the urinals. In this application there are no O.B.C. Barrier Free requirements. Please advise contractor to install at standard height.

On 9/8/2020 11:00 AM, Annie Griffiths wrote:

Good Morning Larry,

As per below, please verify at your earliest convenience.

Thank you,

Annie Griffiths

Project Administrator

TAL-CO BUILDING INNOVATIONS LTD



4728 Bank Street, Suite A

Ottawa, Ontario

K1T 3W7

Ph: 613-821-3959

Fax: 613-821-2938

www.tal-co.com

SUBMITTAL

Job: Carleton Place Arena

Spec Section No:

Submittal No: 8

Revision No: 0

Sent Date: August 21, 2020

Spec Section Title: Plumbing

Submittal Title: Fixtures

Contractor:

Climate Works
Roselyn Grusnick - 613-315-4009

Contractor's Stamp

 Climate Works
Heating, Cooling & Plumbing
Reviewed
2020-08-21 1:26:51 PM

Architect:

Architect's Stamp

Engineer:

Engineer's Stamp

American Standard

Style That Works Better

 BARRIER FREE**CADET RIGHT HEIGHT™ ELONGATED
PRESSURE-ASSISTED TOILET 1.6 gpf / 6.0 Lpf**

VITREOUS CHINA

**CADET RIGHT HEIGHT™ ELONGATED
PRESSURE-ASSISTED TOILET
1.6 gpf/ 6.0 Lpf** **2467.016**

- Vitreous china
- Low-consumption (1.6 gpf/6.0 Lpf)
- EverClean® surface inhibits the growth of stain- and odor-causing bacteria, mold, and mildew on the surface
- Bowl rim at 16-1/2" for accessible applications
- Elongated bowl
- Pressure-assisted siphon jet flush action
- Fully-glazed 2-1/8" trapway
- 10 x 12" water surface area
- Close-coupled Flushometer tank*
- Metal chrome trip lever
- Speed Connect® tank/bowl coupling system
- Sanitary dam on bowl
- Two bolt caps
- 100% factory flush tested
- 12" Rough-in

 2467.164 Same as above except with slotted rim bowl for bed pan holding (white only) **3483.016** Bowl with two bolt caps **3483.001** Same as above, Universal Bowl **3484.001** Bowl with slotted rim for bed pan holding with two bolt caps (white only) **4142.016** Tank complete with coupling components**Nominal Dimensions:**768 x 521 x 781mm
(30-1/4" x 20-1/2" x 30-3/4")

Fixture only, seat and supply by others

Recommended working pressure range
25 psi - 80 psi**Alternate Configurations Available:**

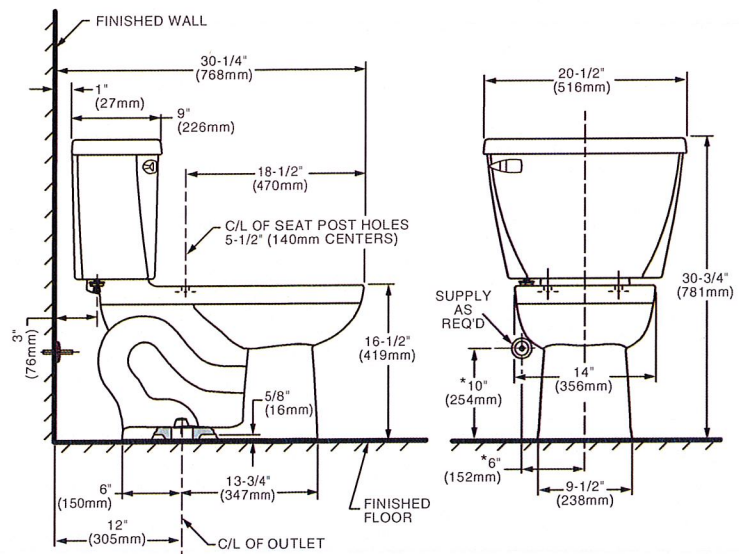
- 4142.600** Tank and tank cover only with tank cover locking device
- 4142.800** Tank and tank cover only with right hand trip lever
- 4142.900** Tank complete with right hand trip lever and tank cover locking device

Compliance Certifications -**Meets or Exceeds the Following Specifications:**

- ASME A112.19.2-2008 / CSA B45.1-08 for Vitreous China Fixtures

To Be Specified:

- Color: White Bone Linen Black
- Seat: American Standard #5324.019 "Rise and Shine" (with easy to clean lift-off hinge system) solid plastic closed front seat with cover.
- American Standard #5321.110 EverClean® seat with Slow Close snap-off hinges.
- Alternate Seat:
- Supply with Stop:

**NOTES:**

THIS TOILET IS DESIGNED TO ROUGH-IN AT A MINIMUM DIMENSION OF 305mm (12") FROM FINISHED WALL TO C/L OF OUTLET. SUPPLY NOT INCLUDED WITH FIXTURE AND MUST BE ORDERED SEPARATELY.

* DIMENSION SHOWN FOR LOCATION OF SUPPLY IS SUGGESTED.

IMPORTANT: Dimensions of fixtures are nominal and may vary within the range of tolerances established by ASME A112.19.2-2008 / CSH B45.1-08. These measurements are subject to change or cancellation. No responsibility is assumed for use of superseded or voided pages.



MEETS THE AMERICANS WITH DISABILITIES ACT GUIDELINES AND ANSI A117.1 REQUIREMENTS FOR ACCESSIBLE AND USABLE BUILDING FACILITIES - CHECK LOCAL CODES.



Solid Plastic Seats Elongated

Institutional • Commercial • Hotel/Motel • Residential

800 SERIES

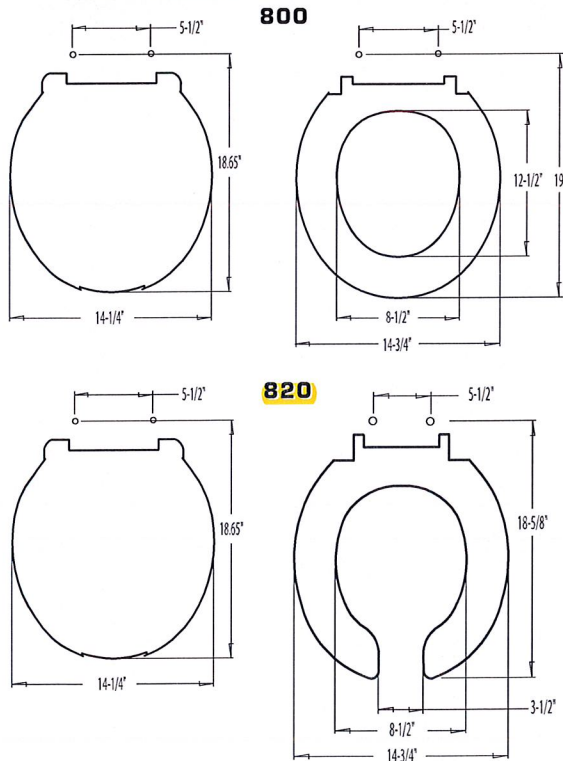


Available in Antimicrobial.
Available in Fire-Retardant.

820 SERIES



Available in Antimicrobial.
Available in Fire-Retardant.



DETAILS

800TM

Luxury closed front with cover for elongated bowl. Top-mount hinge. For residential and light-duty commercial use.

800STS

Extra heavy-duty, closed front with cover for elongated bowl. Stainless steel hinge.

800STSS

Extra heavy-duty, closed front with cover for elongated bowl. Stainless steel self-sustaining ring.

820TM

Light-duty commercial, open front with cover for elongated bowl. Top-mount hinge. For light-duty commercial use.

820STS

Extra heavy-duty, open front with cover for elongated bowl. Stainless steel hinge.

820STSS

Extra heavy-duty, open front with cover for elongated bowl. Self-sustaining, stainless steel hinge.

Standard Features:

- Impact-absorbing hinges
- Extended back with concealed hinge
- Integrally-molded, permanent and sanitary color-keyed bumpers
- Corrosion-free hardware
- Withstands cleansers, strong chemicals

Color	Code #	800 TM	800 STS	800 STSS	820 TM	820 STS	820 STSS
White	001	<input type="checkbox"/>	<input checked="" type="checkbox"/>	<input checked="" type="checkbox"/>	<input type="checkbox"/>	<input checked="" type="checkbox"/>	<input checked="" type="checkbox"/>
Cotton/ Crane White	301	<input type="checkbox"/>	<input type="checkbox"/>	<input type="checkbox"/>	<input type="checkbox"/>	<input checked="" type="checkbox"/>	<input type="checkbox"/>
Linen/ Biscuit	416	<input type="checkbox"/>	<input type="checkbox"/>	<input type="checkbox"/>	<input type="checkbox"/>	<input type="checkbox"/>	<input type="checkbox"/>
Black	407	<input type="checkbox"/>	<input checked="" type="checkbox"/>	<input type="checkbox"/>	<input type="checkbox"/>	<input checked="" type="checkbox"/>	<input type="checkbox"/>
Bone/ Almond	106-A	<input type="checkbox"/>	<input checked="" type="checkbox"/>	<input type="checkbox"/>	<input type="checkbox"/>	<input checked="" type="checkbox"/>	<input type="checkbox"/>

Canada ● U.S. ☐

*American
Standard*

**Washbrook® FloWise®
Universal Urinal**
VITREOUS CHINA

 BARRIER FREE

**Washbrook® FloWise®
Universal Urinal**

- Vitreous china
- Ultra High Efficiency, Low Consumption. Operates in the range of 0.125gpf to 1.0gpf (0.5 Lpf to 3.8 Lpf)
- Flushing rim
- Elongated 14" rim from finished wall
- Washout flush action
- Extended sides for privacy
- 3/4" inlet spud
- Outlet connection threaded 2" inside (NPTF)
- 2 wall hangers
- Fixture only
- Strainer included
- Meets ASME flush requirements at 0.125 to 1.0 gpf

6590.001 Universal Top spud

6515.001 Universal Back spud

Nominal Dimensions:

360 x 480 x 664mm
(14-1/8" x 18-7/8" x 26-1/8")

Recommended working pressure – between
20 psi at valve when flushing and 80 psi static

Compliance Certifications -

Meets or Exceeds the Following Specifications:

- ASME A112.19.2-2008/CSA B45.1-08 for Vitreous China Fixtures



SEE REVERSE FOR ROUGHING-IN DIMENSIONS

To Be Specified:

- Color: **White**
 Flush Valve:

1.0 gpf Flush Valve: Sensor-Operated:

- American Standard Selectronic® #6063.101.002 DC Power (Top Spud)
- American Standard Selectronic® #6062.101.002 AC Power (Back Spud)

1.0 gpf Flush Valve: Manual-Operated:

- American Standard # 6045.101.002

0.5 gpf Flush Valve: Sensor-Operated:

- American Standard Selectronic® #6063.051.002 DC Power (Top Spud)
- American Standard Selectronic® #6062.051.002 AC Power (Back Spud)

0.5 gpf Flush Valve: Manual-Operated:

- American Standard #6045.051.002**

0.125 gpf Flush Valve: Sensor-Operated:

- American Standard Selectronic® #6063.013.002 DC Power (Top Spud)
- American Standard Selectronic® #6062.013.002 AC Power (Back Spud)

0.125 gpf Flush Valve: Manual-Operated:

- American Standard #6045.013.002



MEETS THE AMERICANS WITH DISABILITIES ACT GUIDELINES
AND ANSI A117.1 ACCESSIBLE AND USABLE BUILDINGS AND
FACILITIES - CHECK LOCAL CODES.

- When installed so top of rim is 432mm (17") MAXIMUM from finished floor.

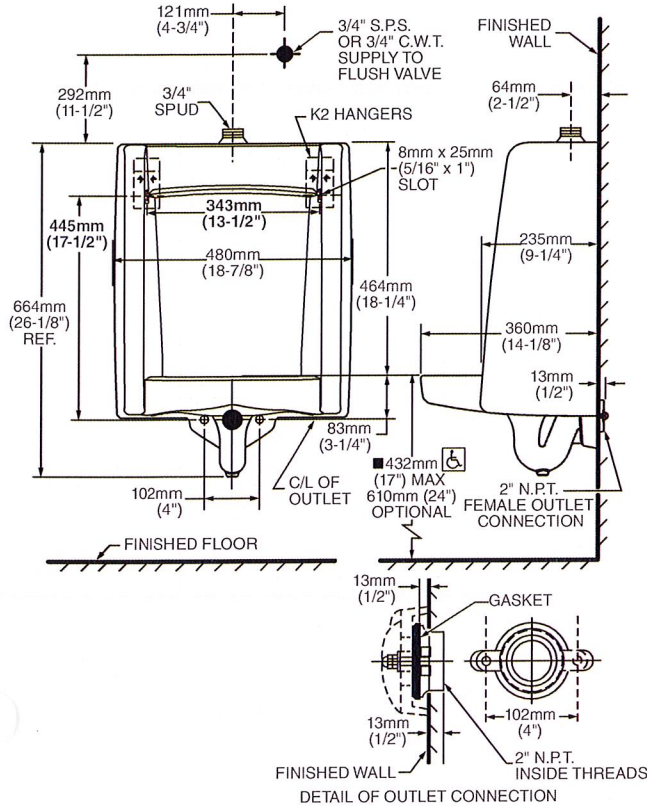


When used with
0.125 gpf
urinal flush valve

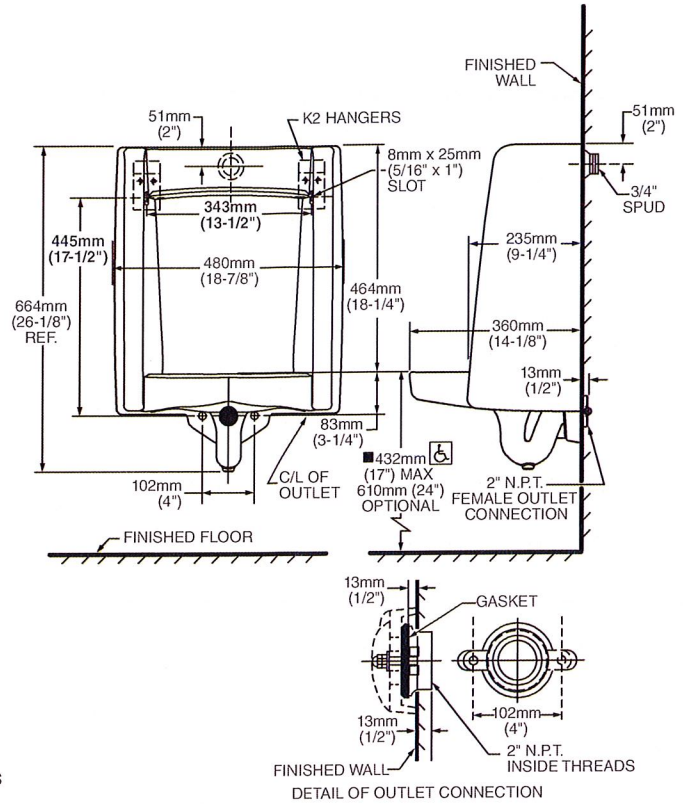
When used with
0.125 or 0.5 gpf
urinal flush valve

ADA
COMPLIANT

6590.001 TOP SPUD



6515.001 BACK SPUD



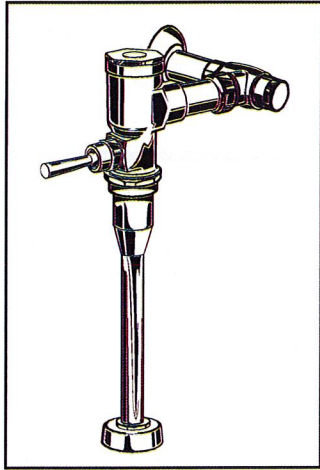
ADA MEETS THE AMERICANS WITH DISABILITIES ACT GUIDELINES AND ANSI A117.1 ACCESSIBLE AND USABLE BUILDINGS AND FACILITIES - CHECK LOCAL CODES.
 • When installed so top of rim is 432mm (17") MAXIMUM from finished floor.

NOTES:
 FLUSH VALVE NOT INCLUDED AND MUST BE ORDERED SEPARATELY.
 PROVIDE SUITABLE REINFORCEMENT FOR ALL WALL SUPPORTS.

IMPORTANT: Dimensions of fixtures are nominal and may vary within the range of tolerances established by ANSI Standard A112.19.2. These measurements are subject to change or cancellation. No responsibility is assumed for use of superseded or voided pages.

*American
Standard*

Ultima Manual Urinal Flush Valve Piston-Type



GENERAL DESCRIPTION:

Manual Piston-Type Urinal Flush Valve for 3/4" top spud urinals.

INCLUDES:

- 3/4" I.P.S. angle stop with back-flow prevention and vandal-resistant cap
- Sweat solder kit including cover tube and wall flange
- High back pressure vacuum breaker with down tube
- Spud coupling & flange for 3/4" top spud

PRODUCT FEATURES:

- Self-cleaning brass piston with integral wiper spring prevents clogging and reduces maintenance
- Piston operation delivers superior flush accuracy and repeatability
- Piston valve remains closed and does not need to be reset after loss of water pressure
- Non-hold open handle
- Positive seal ensures leak-free performance
- No external volume adjustment
- Durable chrome-plated cast brass construction is ideal for commercial applications
- Chloramine-resistant EPDM seals
- Adjustable tailpiece for rough-in flexibility
- Can be installed left or right handed
- ADA complaint

MODEL NUMBER:



- 6045013.002 Flush Valve for 3/4" top spud urinal, 0.125 gpf / 0.5 Lpf



- 6045051.002 Flush Valve for 3/4" top spud urinal, 0.5 gpf / 0.9 Lpf

- 6045101.002 Flush Valve for 3/4" top spud urinals, 1.0 gpf / 3.8 Lpf

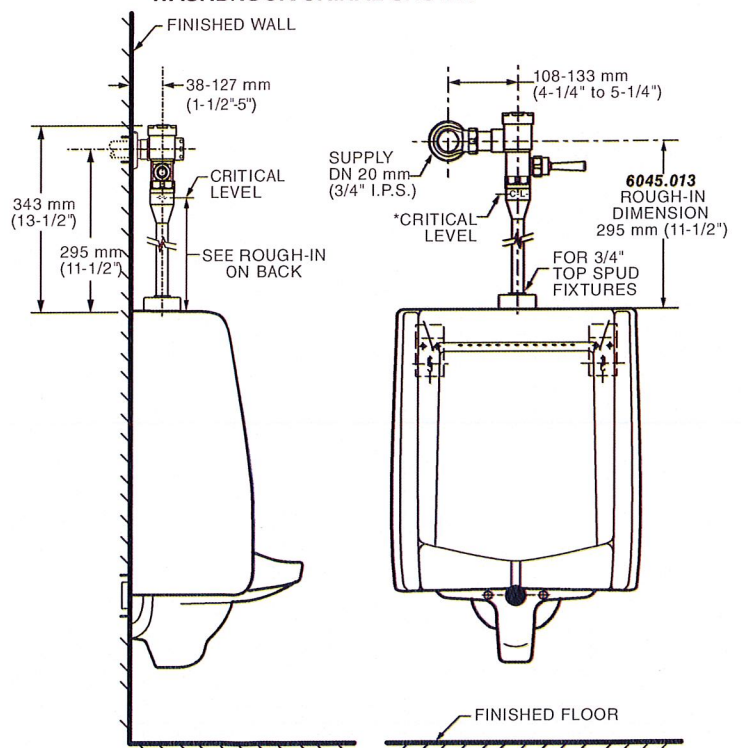
OPERATING PRESSURE:

20 psi (flowing)-80 psi (static)

FLOW REQUIREMENT:

8gpm (30.3 L/min.)

TYPICAL URINAL INSTALLATION: WASHBROOK URINAL SHOWN



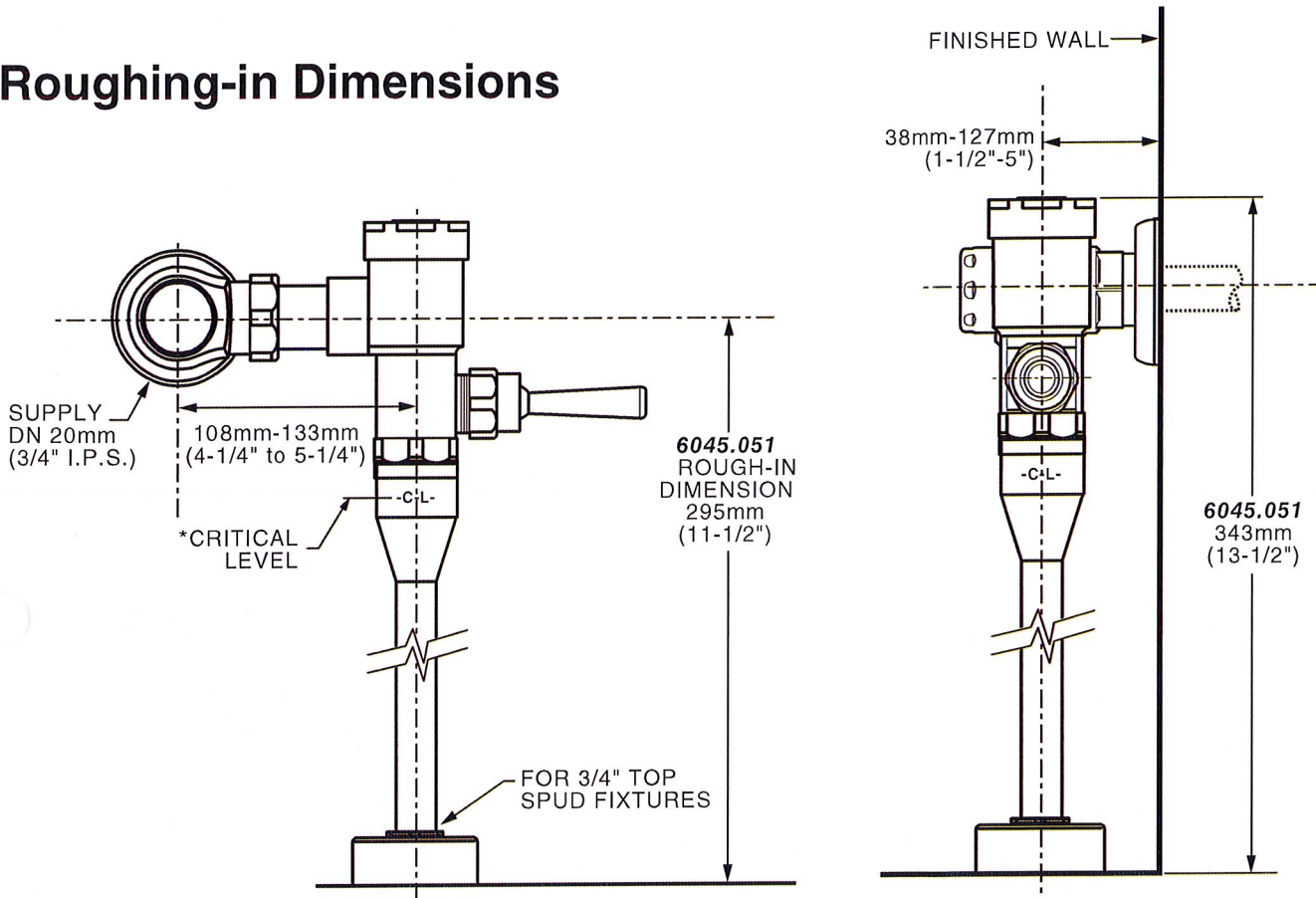
RECOMMENDED SPECIFICATION:

Manual urinal flush valve shall feature self-cleaning brass piston valve with integral wiper spring in bypass orifice to prevent clogging. Valve remains closed and does not need to be reset after loss of water pressure. Includes cast brass valve body and cover with chrome finish and vandal resistant stop cap. Includes sweat solder kit with wall flange and cover tube. Angle stop with back-flow protection and vacuum breaker included. 0.125 gpf / 0.5 gpf / 1.0 gpf Flush valve shall be American Standard Model # 6045____.002.

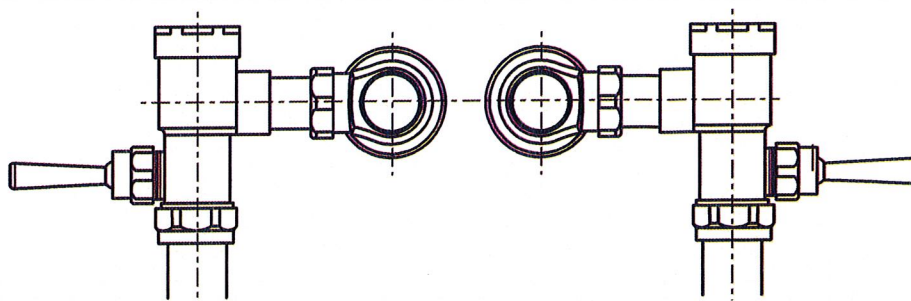
LISTINGS:

- ASSE 1037
- ANSI/ASME A112.19.2
- ADA Compliant

Roughing-in Dimensions



*Note: The Critical Line (-C-L-) on Vacuum Breaker must typically be a minimum of 6" (152mm) above fixture. Consult Codes for details.



Left or Right Hand Installation

ADA MEETS THE AMERICANS WITH DISABILITIES ACT GUIDELINES AND ANSI A117.1 REQUIREMENTS FOR ACCESSIBLE AND USABLE BUILDING FACILITIES-CHECK LOCAL CODES

PART OF LIXIL

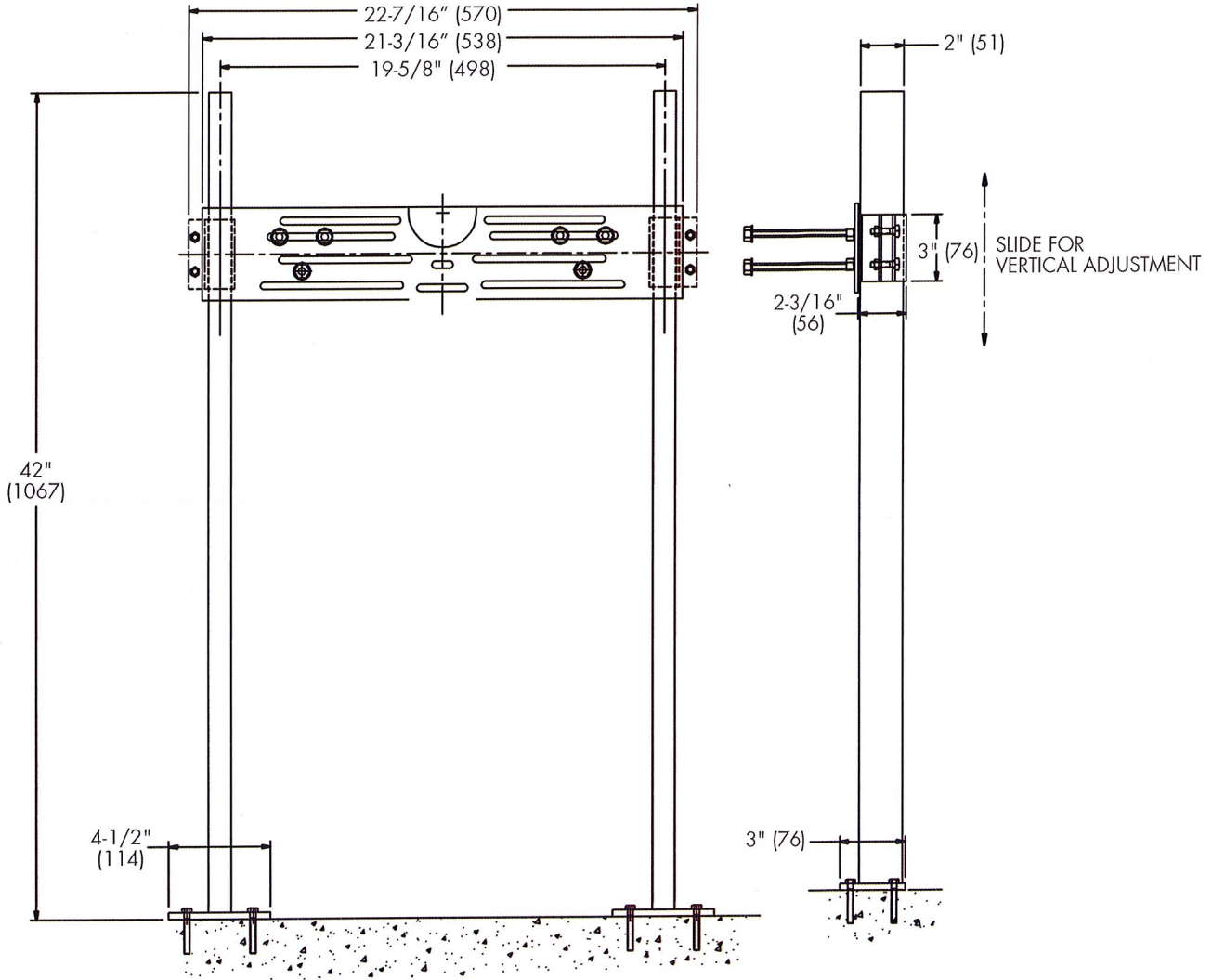


CA-311


Tag: _____

Floor Mounted
Urinal Carrier

SPECIFICATION: Watts Drainage CA-311 epoxy coated floor mounted urinal carrier with heavy gauge steel offset uprights with welded feet, universal steel hanger support plate with integral mounting brackets and plated hardware.



Note: Anchor legs to concrete floor with minimum 1/2" (13) anchor bolts (by others).

Option	
Suffix	Description
-US	Buy American Compliant  <input type="checkbox"/>

Job Name _____ Contractor _____

Job Location _____ Contractor's P.O. No. _____

Engineer _____ Representative _____

WATTS Drainage reserves the right to modify or change product design or construction without prior notice and without incurring any obligation to make similar changes and modifications to products previously or subsequently sold. See your WATTS Drainage representative for any clarification. Dimensions are subject to manufacturing tolerances.



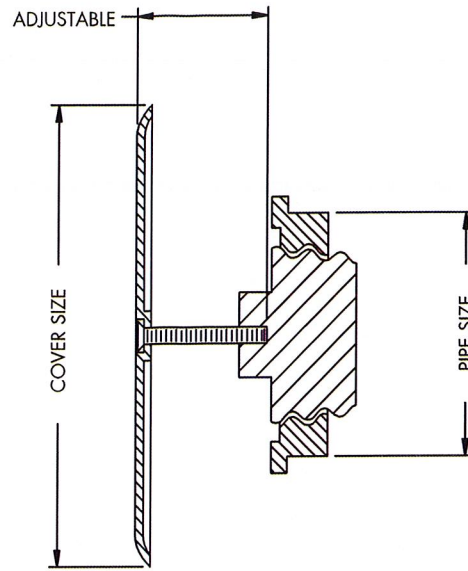
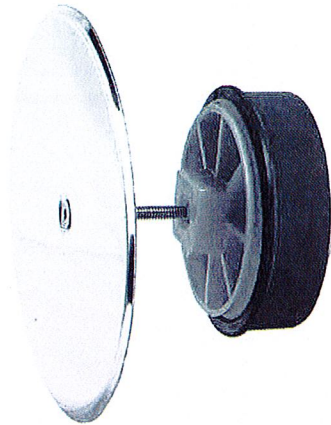
Specification Drainage Products

USA: 100 Watts Road, Spindale, NC, 28160-2298; TEL: 828-288-2179 TOLL-FREE: 1-800-338-2581 www.watts.com

Wall Cleanouts

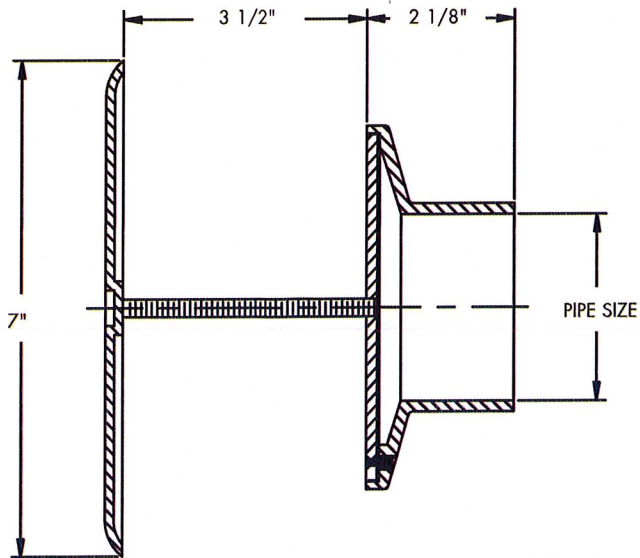
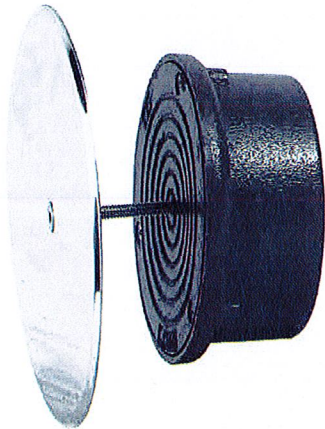
CO-440-RD Series Poly Wall Cleanout with Stainless Steel Cover

Catalog Number	Wt., lbs.	Pipe Size	Cover Size	List Price
CO-441.5-RD	2	1-1/2"	5"	\$119.00
CO-442-RD	2	2"	5"	126.00
CO-443-RD	2	3"	7"	154.00
CO-444-RD	2	4"	7"	205.00



CO-450-RD Line Cleanout with Stainless Steel Cover

Catalog Number	Wt., lbs.	Pipe Size	List Price
CO-452-RD	5	2"	\$154.00
CO-453-RD	5	3"	191.00
CO-454-RD	5	4"	227.00



Options for CO-450-RD

Suffix	Description	List Price
-60	PVC Body w/Socket Outlet	No Add
-61	ABS Body w/Socket Outlet	No Add



CADET™ UNIVERSAL ACCESS COUNTERTOP SINK

VITREOUS CHINA

BARRIER FREE

CADET UNIVERSAL ACCESS COUNTERTOP SINK

- Vitreous china
- Self-rimming
- Two rear overflow holes
- Supplied with template
- Faucet deck
- (Faucet shown not included)



- 9498 001 Faucet holes on 203mm (8") centres
- 9494 001 Faucet holes on 102mm (4") centres
- 9495 001 Centre hole only (Illustrated)

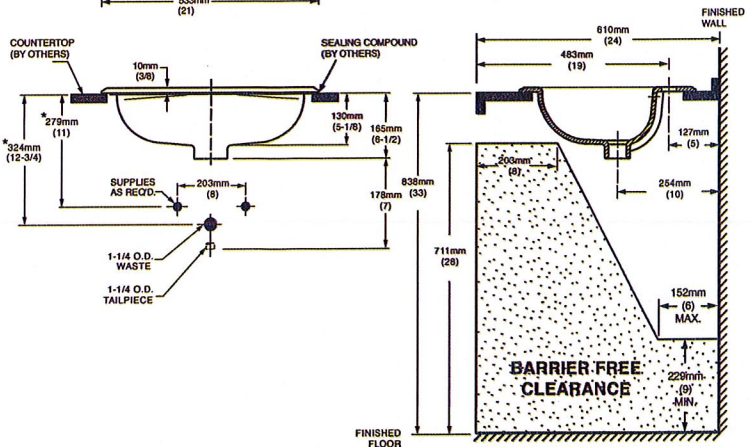
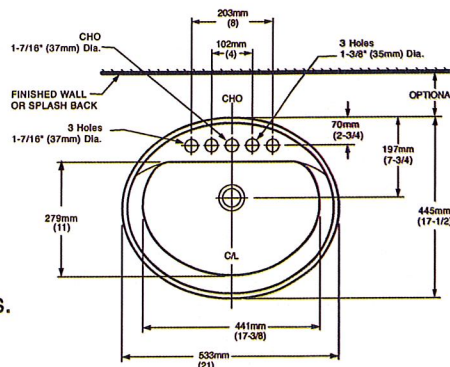
Nominal Dimensions:
533 x 445mm (21" x 17-1/2")

Bowl sizes:

441mm (17-3/8") wide, 279mm (11") front to back, 133mm (5-1/4") deep

COMPLIANCE CERTIFICATIONS –

- Meets or exceeds the following Specifications:
- ASME A112.19.2M for Vitreous China Fixtures.
 - CAN/CSA B45 Series.
 - 1995 National Building Code, section 3.7 and CAN/CSA-B651-M90 and OBC 3.7.



To Be Specified

- Colour: WHITE
- Faucet*:
- Faucet Finish:
- Supplies & Stops:
- Trap 1-1/4" (32 mm):

* See faucet section for additional models available

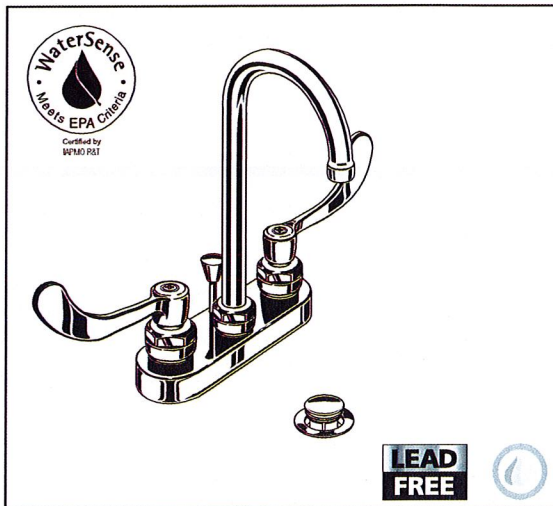


● Top of front rim mounted 864mm (34") maximum from finished floor.
MEETS THE AMERICAN DISABILITIES ACT GUIDELINES AND ANSI A117.1 REQUIREMENTS FOR PEOPLE WITH DISABILITIES

For Universal Design Options, top of counter may be mounted at 813mm (32") from finished floor to meet ADA and ANSI A117.1 requirements. A 864mm (34") mounting height is required for California Title 24 and other more stringent knee space requirements. A 838mm (33") mounting height is required for Ontario. Check local codes.

NOTES:

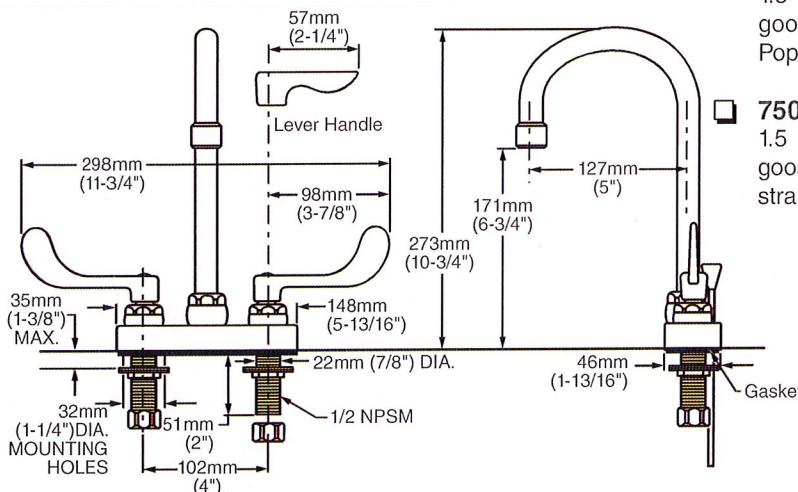
* DIMENSIONS SHOWN FOR LOCATION OF SUPPLIES AND "P" TRAP ARE SUGGESTED. FOR COUNTERTOP CUTOUT AND INSTALLATION INSTRUCTIONS USE TEMPLATE SUPPLIED WITH SINK.
FAUCETS NOT INCLUDED AND MUST BE ORDERED SEPARATELY.
IMPORTANT: Dimensions of fixtures are nominal and may vary within the range of tolerances established by ANSI Standard A112.19.2.
These measurements are subject to change or cancellation. No responsibility is assumed for use of superseded or voided pages.



7501.170 Shown

MODEL NUMBER:*

- 7500.170 Centerset Lavatory**
 1.5 gpm Pressure Compensating Aerator. Rigid/swivel gooseneck spout. Vandal-Resistant Wrist Blade handles. Less drain and pop-up hole.
- 7501.170 Centerset Lavatory**
 1.5 gpm Pressure Compensating Aerator. Rigid/swivel gooseneck spout. Vandal-Resistant Wrist Blade handles. Pop-up drain.
- 7502.170 Centerset Lavatory**
 1.5 gpm Pressure Compensating Aerator. Rigid/swivel gooseneck spout. Vandal-Resistant Wrist Blade handles. Grid strainer drain.
- 7500.140 Centerset Lavatory**
 1.5 gpm Pressure Compensating Aerator. Rigid/swivel gooseneck spout. Vandal-Resistant Lever handles. Less drain and pop-up hole.
- 7501.140 Centerset Lavatory**
 1.5 gpm Pressure Compensating Aerator. Rigid/swivel gooseneck spout. Vandal-Resistant Lever handles. Pop-up drain.
- 7502.140 Centerset Lavatory**
 1.5 gpm Pressure Compensating Aerator. Rigid/swivel gooseneck spout. Vandal-Resistant Lever handles. Grid strainer drain.



GENERAL DESCRIPTION:

Durable cast brass construction. 1/2" male threaded inlet shanks with brass shank nuts and coupling nuts. 1/4 turn ceramic disc valve cartridges. Convertible swivel/rigid spout. Choice of Vandal-Resistant Wrist Blade or Lever handles with blue & red color indexes. All brass drain bodies with 1 1/4" (32mm) tailpieces (on applicable models). 1.5 gpm/5.7L/min. maximum flow rate. Vandal-Resistant and Laminar Flow aerators are available.

PRODUCT FEATURES:

Pressure Compensating Aerator: Provides a constant water flow of 1.5 gpm throughout the pressure range

Solid Brass Construction: Durable - Excellent in high use applications. Ideal for prolonged contact with water.

Ceramic Disc Valve Cartridge: Assures a lifetime of drip-free performance.

Field-Convertible Swivel/Rigid Spout: Easily adjusted in the field.

Lead Free: Faucet contains $\leq 0.25\%$ total lead content by weighted average.

SUGGESTED SPECIFICATION:

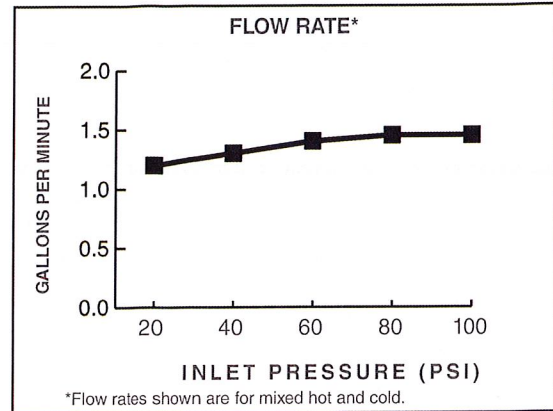
4" centerset lavatory faucet shall be cast brass construction with all brass shank nuts and coupling nuts. Shall feature water-conserving 1.5 gpm/5.7L/min. pressure compensating aerator. Vandal-Resistant handles. Shall also feature 1/4 turn washerless ceramic disc valve cartridges. Fitting shall be American Standard Model # 750_...002.



CODES AND STANDARDS

These products meet or exceed the following codes and standards:

- ASME A112.18.1
- CSA B 125
- NSF 61/Section 9 and Annex G



Product Number	Description	Finish
		Polished Chrome
7500.170	Centerset Lavatory with rigid/swivel gooseneck spout. 1.5 gpm/5.7L/min pressure compensating aerator. Vandal-Resistant Wrist Blade Handles. Less drain and pop-up hole.	002
7501.170	Centerset Lavatory with rigid/swivel gooseneck spout. 1.5 gpm/5.7L/min pressure compensating aerator. Vandal-Resistant Wrist Blade Handles. Pop-up drain.	
7502.170	Centerset Lavatory with rigid/swivel gooseneck spout. 1.5 gpm/5.7L/min pressure compensating aerator. Vandal-Resistant Wrist Blade Handles. Grid strainer drain.	
7500.140	Centerset Lavatory with rigid/swivel gooseneck spout. 1.5 gpm/5.7L/min pressure compensating aerator. Vandal-Resistant Lever Handles. Less drain and pop-up hole.	
7501.140	Centerset Lavatory with rigid/swivel gooseneck spout. 1.5 gpm/5.7L/min pressure compensating aerator. Vandal-Resistant Lever Handles. Pop-up drain.	
7502.140	Centerset Lavatory with rigid/swivel gooseneck spout. 1.5 gpm/5.7L/min pressure compensating aerator. Vandal-Resistant Lever Handles. Grid strainer drain.	

MEETS THE AMERICANS WITH DISABILITIES ACT GUIDELINES AND ANSI A117.1 REQUIREMENTS FOR ACCESSIBLE AND USABLE BUILDING FACILITIES-CHECK LOCAL CODES

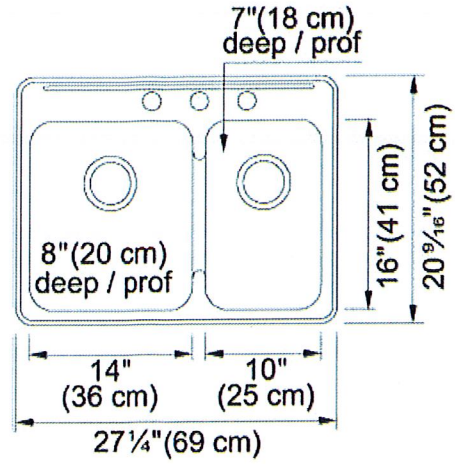
Other Aerators Available:

Part Suffix	Description
LV22	2.2 gpm (8.3 Lpm) Vandal-Resistant Non-Aerated Laminar Flow Outlet
V22	2.2 gpm (8.3 Lpm) Vandal-Resistant Aerator
A15LV	Anti-Microbial 1.5 gpm (5.7 Lpm) Vandal-Resistant Non-Aerated Laminar Flow Outlet
LV15	1.5 gpm (5.7 Lpm) PCA Vandal-Resistant Non-Aerated Laminar Flow Outlet
V15	.5 gpm (5.7 Lpm) PCA Vandal-Resistant Aerator
LV10	1.0 gpm (3.8 Lpm) PCA Vandal-Resistant Non-Aerated Laminar Flow Outlet
V10	1.0 gpm (3.8 Lpm) PCA Vandal-Resistant Aerator
V05	0.5 gpm (1.9 Lpm) PCA Vandal-Resistant Non-Aerated Spray
V035**	0.35 gpm (1.3 Lpm) PCA Vandal-Resistant Non-Aerated Spray

*PCA - Pressure Compensating
meets Cal Green Code

Stainless Steel | 101.0202.031

FAMILY : Sinks | SERIES : Steel Queen | MODEL : QCLA2027R/8/3 | FINISH : Stainless Steel | INSTALLATION TYPE :
Topmount



TECHNICAL DATA

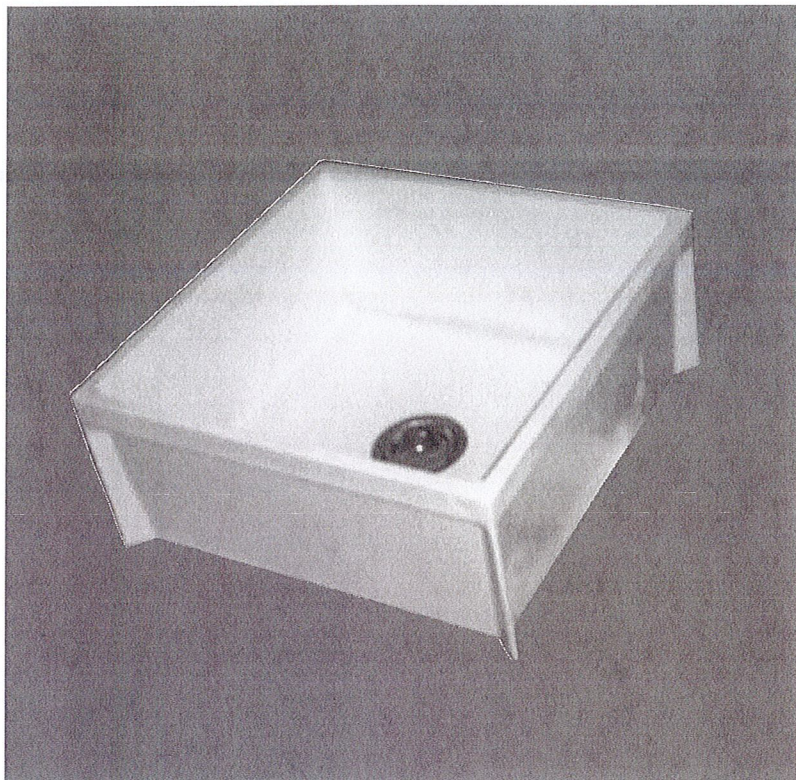
Width overall	20 9/16"
Length overall	27 1/4"
Width of large bowl	16"
Length of large bowl	14"
Depth of large bowl	8"
Width of small bowl	16"
Length of small bowl	10"
Depth of small bowl	7"
Cabinet Size	30"
Number of Bowls	2
Waste Outlet Diameter	3 1/2"
Cut-Out Template	Yes
Faucet Hole	3
Type of Material	20-GA-STAINLESS-STEEL
Surface Finish	H-HIGH-GLOSS/MIRROR
Waste Kit Included	YES
EZ Torque Installation	YES

TAG: SS-1

MOLDED-STONE® MOP SERVICE BASIN

MSB 2424
MSB 3624

Molded-Stone® Mop Service Basin



FEATURES

• MSB 2424

The MSB 2424 shall have overall outside dimensions of 24" x 24" x 10". The molding shall be done in matched metal dies under heat and pressure resulting in a one-piece homogeneous product. The unit shall have 10" high walls with not less than 1" wide.

The stainless steel drain body is designed to provide for a caulk connection or QDC-3 joint to a 3" drain pipe. A combination dome strainer and lint basket made from stainless steel shall be included with factory installed stainless steel drain body for caulked joint to accept a 3" pipe.

• MSB 3624

The MSB 3624 shall have overall outside dimensions of 36" x 24" x 10". The molding shall be done in matched metal dies under heat and pressure resulting in a one-piece homogeneous product. The unit shall have 10" high walls with not less than 1" wide shoulders and an integrally molded shelf 10 3/16" wide where indicated.

The stainless steel drain body is designed to provide for a caulk connection or QDC-3 joint to a 3" drain pipe. A combination dome strainer and lint basket made from stainless steel shall be included with factory installed stainless steel drain body for caulked joint to accept a 3" pipe.

NOTES

OPTIONS

- **Service Faucet (830-AA):** Chrome plated with vacuum breaker, integral stops, adjustable wall brace, pail hook and 3/4" hose thread on spout.
- **Hose and Hose Bracket (832-AA)**
- **Mop Hanger (889-CC)**
- **Alternate Strainer (1453-BB)** - For residential use (EFS-3624 and EFS-2424)
- **3" Quick Drain Connector (QDC-3XH):** Neoprene connecting gasket suitable for attaching extra heavy cast iron soil pipe and Schedule 40 steel pipe to the drain body. Neoprene connecting gasket (QDC-3SN) suitable for attaching hubless cast iron pipe (no hub, nominal O.D. of 3.31") and service weight cast iron soil pipe (nominal O.D. of 3.38") to the drain body.
- **Silicone Sealant (833-AA)**
- **Vinyl Bumperguard (E-77-AA)**
- **Stainless Steel Bumperguard (E-88-AA)**
- **Stainless Steel Wall Guard (MSG2424, MSG2828, MG3232, MSG3636, and MSG3624)**

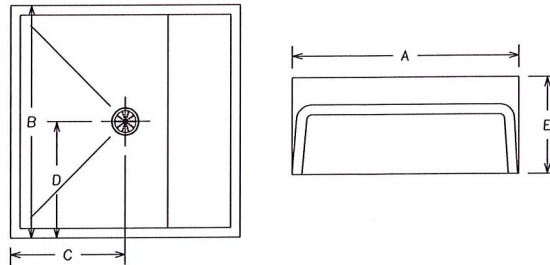
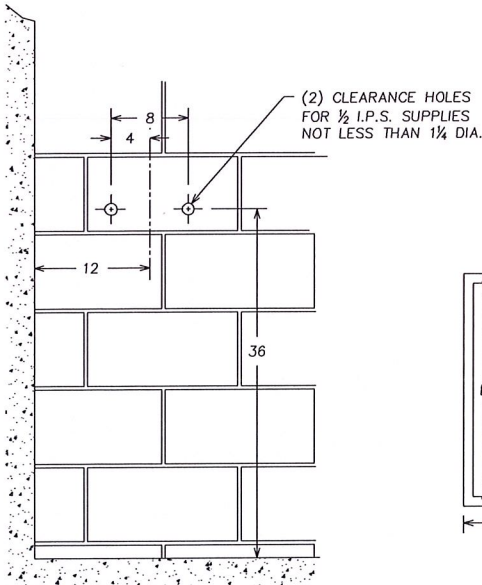
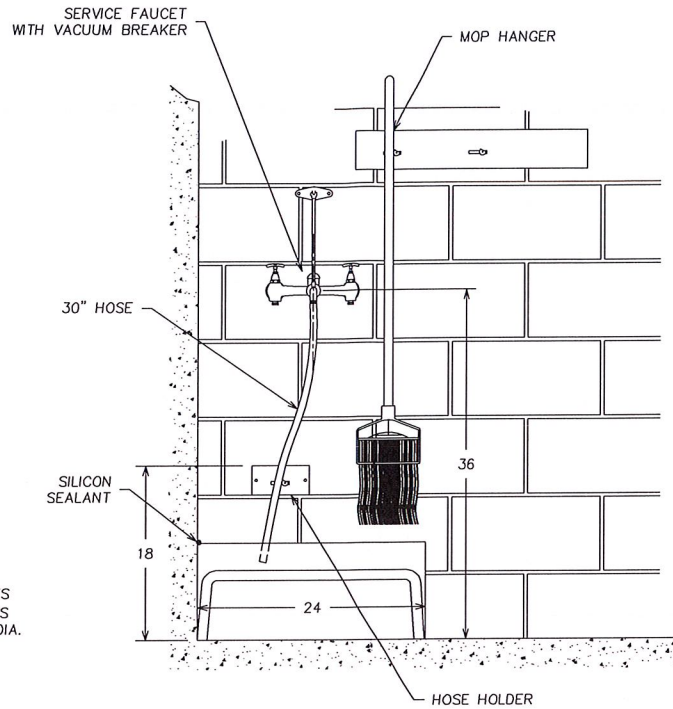
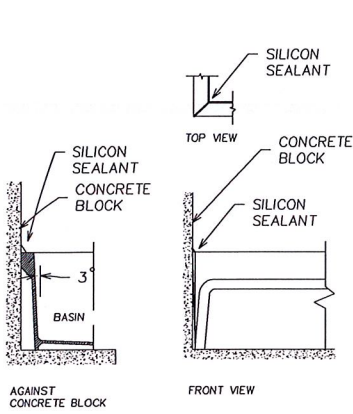


FIAT PRODUCTS®
A CRANE PLUMBING COMPANY

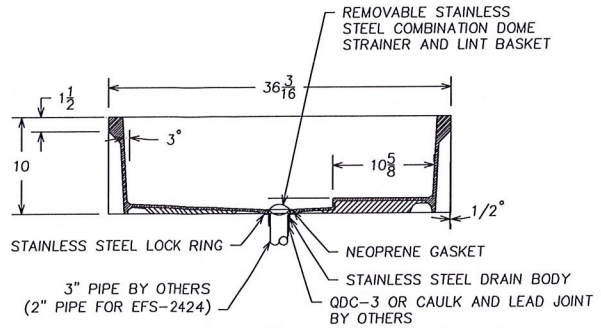
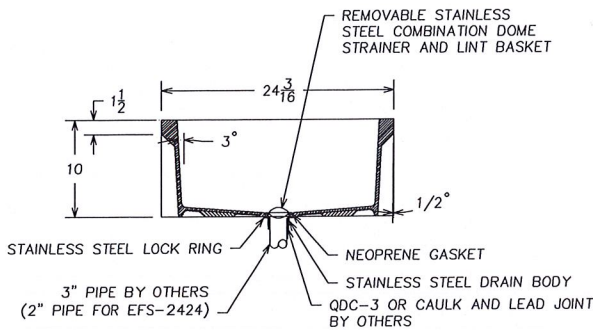
M MOLDDED-STONE® MOP SERVICE BASIN

MSB 2424
MSB 3624

Molded-Stone® Mop Service Basin



MODEL NO.	A	B	C	D	E
MSB-2424	24 3/16	24 3/16	12 1/2	12	10
MSB-3624	36 3/16	24 3/16	18 1/2	12	10



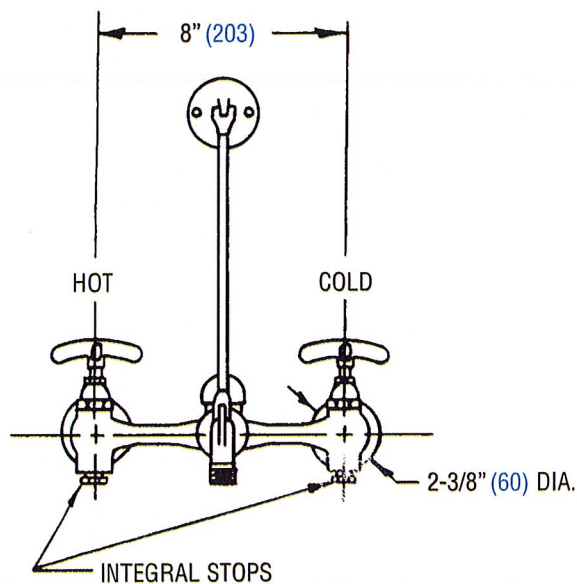
FIAT PRODUCTS
A CRANE PLUMBING COMPANY

IMPORTANT: Roughing-in dimensions may vary 1/2" and are subject to change or cancellation without prior notice.

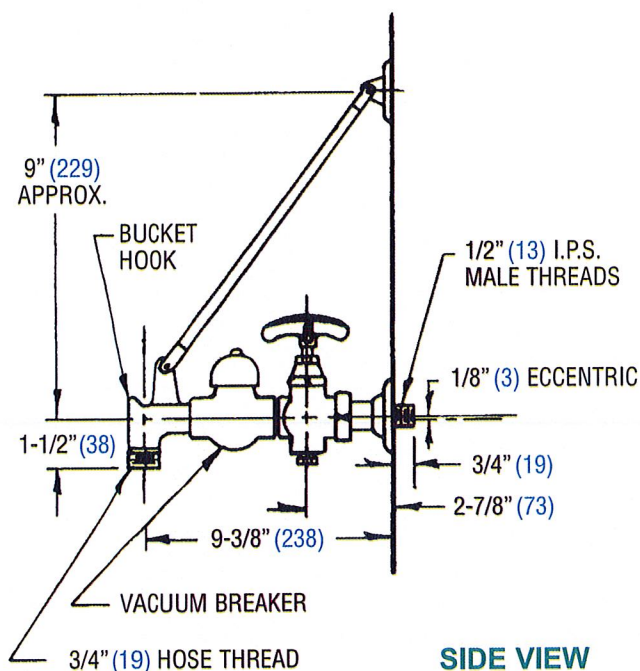
CR/PL© 04/03 Printed in U.S.A

Service-Sink Faucet

Model: 830-AA

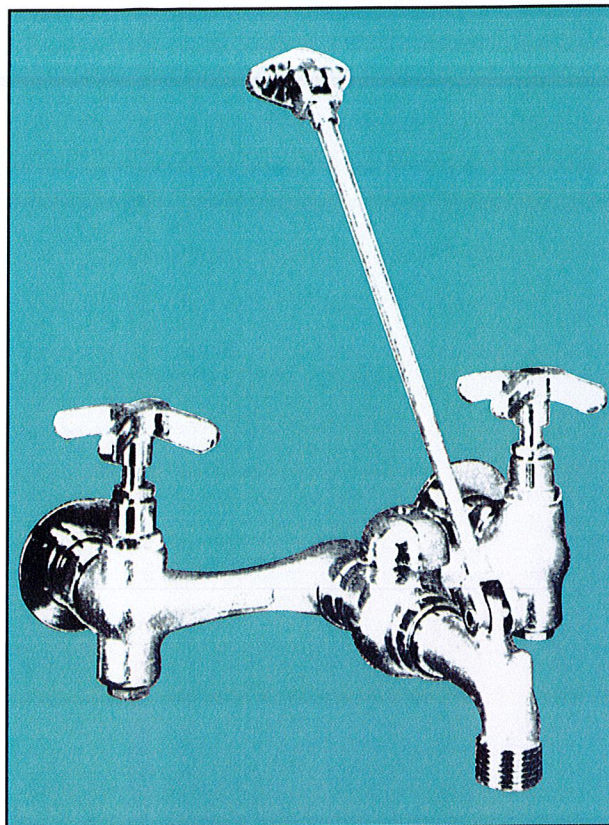


FRONT VIEW



SIDE VIEW

NOTE: These roughing measurements may vary 1/4" (plus or minus).



General: 830-AA Service Faucet - Chrome plated with vacuum breaker, integral stops, adjustable wall brace, pail hook and 3/4" hose thread on spout. Body inlets 8" center to center, four arm handles. Valves contain renewable hub, renewable seats, swivel discs, encased washers and brass washer screws.

Material: Commercial red brass alloy casting-rough finish.
Finish: Chrome plating exceeding requirements of ANSI/ASTM B-456-71. Indicators cold (blue) and hot (red) are included.

Specifications and Codes: In the U.S.A., meets or exceeds requirements of ANSI-A112.18.1M-1979 for "Finished and Rough Brass Plumbing Fixture Fittings." In Canada, meets or exceeds the requirements of CSA standards B125 - "Plumbing Fittings," B64.1.1 - "Vacuum Breakers - Atmosphere Type" and B64.0 - "General Requirements for Backflow Preventers and Vacuum Breakers," and is approved under Product Class No. 6811 01 under Report #LM57412-1. Conforms to ASSE 1001.

FIAT PRODUCTS®
 A CRANE PLUMBING COMPANY

255 Hutchings St. • Winnipeg, MB • R2X 2R4 • Ph. 800-665-7531 • 204-633-6122 • Fx. 204-632-4854
 e-mail: info@fiat.ca • website: www.fiat.ca

A subsidiary of CR/PL, L.L.C. Company - Evanston, IL

TAG: SH-1

HYDAPIPE® Surface Mounted Shower System

- 1-801S:** Standard length
- 1-802S:** Short length

Pressure Balancing mixing valve integral service stops and adjustable stop screw to limit handle turn. Super shower head on institutional type head bracket fitting. Attached soap dish and top cap. Stainless steel covering to be 18 gauge with #4 brush finish.

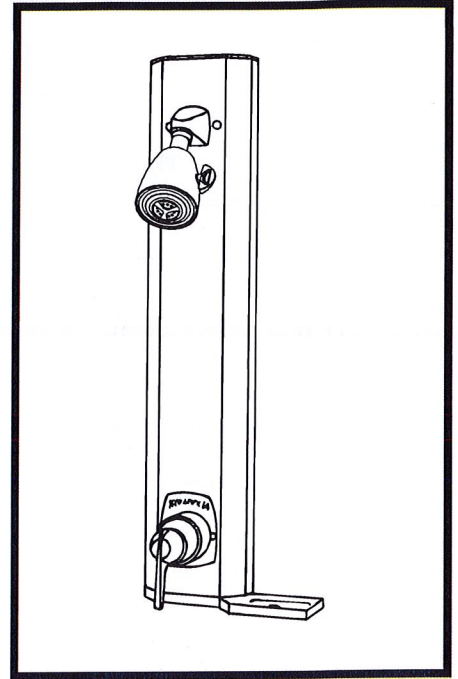
Modifications:

Add:

- Suffix 285:** Fre-Flo, all brass, fixed spray (no ball joint)
- Suffix 21:** Single supply, manual shut off, 4 arm handle
- Suffix 60:** Single supply, metering shut off
- Suffix 56:** Pressure Balance and metering combination
- Suffix 2.0:** 2.0 gpm (7.6 L/min) flow restrictor

Delete:

- Suffix S:** If soap dish is not required



**SYMMONS PRODUCTS MEET
ALL KNOWN FLOW RATE
REQUIREMENTS.
Shower Heads and Hand Showers
2.5 GPM (9.5 L/min)**

Job/Location

.....
.....

Engineer

.....
.....

Contractor

.....
.....

For ADA compliance (Americans with Disabilities Act) consult ADAAG or your state regulations for proper product choice and mounting locations.

Symmons Industries, Inc. ■ 31 Brooks Drive ■ Braintree, MA 02184
Phone: (800) 796-6667 ■ Fax: (800) 961-9621
Website: symmons.com ■ Email: gethelp@symmons.com

Copyright © 2015 Symmons Industries, Inc. Printed in U.S.A. ■ 070215





FD-200-XH

Tag: _____

Floor Drain with Round Heavy Duty Strainer

SPECIFICATION: Watts Drainage Products FD-200-XH epoxy coated cast iron floor drain with anchor flange, weepholes, extra heavy duty nickel bronze (standard) strainer, and no hub (MJ) (standard) outlet.

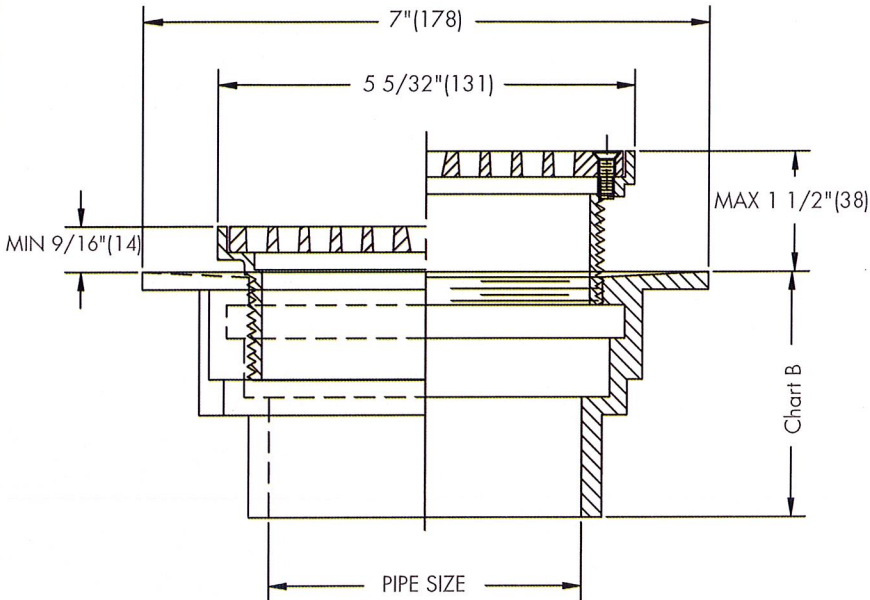


Chart A

Str. Dia.	Min.	Max.	Load Rating	Free Area Sq. In.
5"(127)	9/16"(14)	1-1/2"(38)	*XHD	7
6"(152)	3/4"(19)	1-3/4"(44)	*XHD	8

Chart B

Pipe Size	Std. No Hub	P Push On	60/61 PVC/ABS
2"(51)	3"(76)	4"(102)	4"(102)
3"(76)	3"(76)	4"(102)	3-3/4"(95)
4"(102)	3"(76)	4"(102)	3-3/4"(95)

NOTICE

The load classifications are in accordance with the American National Standards ASME A112.21.1M ASME Ratings are as follows:
 XHD - Safe Live Load 7500-10000 lbs.(3375-4500kg)
 The above categories are given as a guide only.
 Please consult factory.

Order Code: **FD-20** - - -

Ex. **FD-202P-5-1**

Pipe Sizing (Select One)	
Suffix	Description
2	2"(51) Pipe Size <input type="checkbox"/>
3	3"(76) Pipe Size <input type="checkbox"/>
4	4"(102) Pipe Size <input type="checkbox"/>

Outlet Type (Select One)	
Suffix	Description
NH	No Hub (MJ) <input type="checkbox"/>
P	Push On <input type="checkbox"/>

Strainer (Select One)	
Suffix	Description
XH-5-1	5"(127) Diameter, Nickel Bronze <input type="checkbox"/>
XH-5-4	5"(127) Diameter, Ductile Iron <input type="checkbox"/>
XH-6-1	6"(152) Diameter, Nickel Bronze <input type="checkbox"/>

Options (Select One or More)	
Suffix	Description
-5	Sediment Bucket <input type="checkbox"/>
-6	Vandal Proof <input type="checkbox"/>
-8	Backwater Valve (3" / 4" Only) <input type="checkbox"/>
-12	Galvanized Top <input type="checkbox"/>
-13	All Galvanized <input type="checkbox"/>
-15	Strainer Extension (DD-50) <input type="checkbox"/>
-113M	Special Epoxy from 3M Range <input type="checkbox"/>
-F4-50	4" Round Cast Iron Funnel <input type="checkbox"/>
-F4-1	4" Round Nickel Bronze Funnel <input type="checkbox"/>
-F6-1	6" Round Nickel Bronze Funnel <input type="checkbox"/>
-G-50	4x9" Oval Cast Iron Funnel <input type="checkbox"/>
-G-1	4x9" Oval Nickel Bronze Funnel <input type="checkbox"/>
-Z	Elastomeric Flange <input type="checkbox"/>

Optional Body Material (NH Only)	
Suffix	Description
-60	PVC Body w/Socket Outlet <input type="checkbox"/>
-61	ABS Body w/Socket Outlet <input type="checkbox"/>

Job Name _____

Contractor _____

Job Location _____

Contractor's P.O. No. _____

Engineer _____

Representative _____

Watts product specifications in U.S. customary units and metric are approximate and are provided for reference only. For precise measurements, please contact Watts Technical Service. Watts reserves the right to change or modify product design, construction, specifications, or materials without prior notice and without incurring any obligation to make such changes and modifications on Watts products previously or subsequently sold.



A Watts Water Technologies Company

USA: Tel: (800) 338-2581 • Fax: (828) 248-3929 • Watts.com
 Canada: Tel: (905) 332-4090 • Fax: (905) 332-7068 • Watts.ca
 Latin America: Tel: (52) 81-1001-8600 • Fax: (52) 81-8000-7091 • Watts.com



CO-200-R

Tag: _____

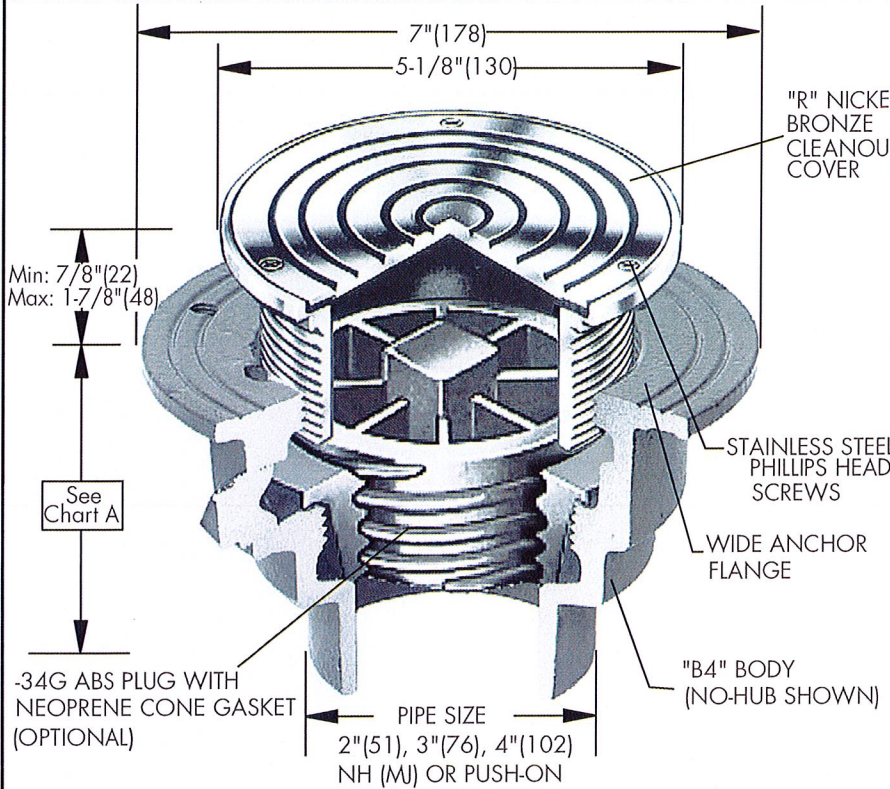
Floor Cleanout with Round Top

Components:



SPECIFICATION: Watts Drainage Products CO-200-R epoxy coated cast iron floor cleanout with 5-1/8" (130) round adjustable nickel bronze (standard) top and no hub (M) connection.

Order Code: **CO-20** - - -



Ex. **CO-202-R-1-6**

Pipe Sizing (Select One)		
Suffix	Description	
2	2" (51) Pipe Size	<input type="checkbox"/>
3	3" (76) Pipe Size	<input type="checkbox"/>
4	4" (102) Pipe Size	<input type="checkbox"/>

Outlet Type (Select One)		
Suffix	Description	
NH	No Hub (MJ)	<input type="checkbox"/>
P	Push On	<input type="checkbox"/>

Cover (Select One)		
Suffix	Description	
R-1	5" (127) Diameter, Nickel Bronze	<input type="checkbox"/>
R-3	5" (127) Diameter, Stainless Steel	<input type="checkbox"/>

Options (Select One or More)		
Suffix	Description	
-6	Vandal Proof	<input type="checkbox"/>
-13	Galvanized Body	<input type="checkbox"/>
-15	Strainer Extension (DD-50)	<input type="checkbox"/>
-34G	ABS plug with Neoprene gasket	<input type="checkbox"/>
-113M	Special Epoxy from 3M Range	<input type="checkbox"/>
-C	Membrane Clamp	<input type="checkbox"/>
-Z	Elastomeric Flange	<input type="checkbox"/>

Optional Body Material (NH Only)		
Suffix	Description	
-60	PVC Body w/Socket Outlet	<input type="checkbox"/>
-61	ABS Body w/Socket Outlet	<input type="checkbox"/>

Chart A

	Std.	P	60/61
Pipe Size	No Hub	Push On	PVC/ABS
2" (51)	3" (76)	4" (102)	4" (102)
3" (76)	3" (76)	4" (102)	3-3/4" (95)
4" (102)	3" (76)	4" (102)	3-3/4" (95)

Load Rating

Suffix	Load Rating
R-1	*MD
R-3	*MD

NOTICE

The load classifications are in accordance with the American National Standards ASME A112.21.1M ASME Ratings are as follows:
 MD - Safe Live Load 2000-4999 lbs. (900-2250kg)
 The above categories are given as a guide only. Please consult factory.

Job Name _____

Contractor _____

Job Location _____

Contractor's P.O. No. _____

Engineer _____

Representative _____

Watts product specifications in U.S. customary units and metric are approximate and are provided for reference only. For precise measurements, please contact Watts Technical Service. Watts reserves the right to change or modify product design, construction, specifications, or materials without prior notice and without incurring any obligation to make such changes and modifications on Watts products previously or subsequently sold.



A Watts Water Technologies Company

USA: Tel: (800) 338-2581 • Fax: (828) 248-3929 • Watts.com
 Canada: Tel: (905) 332-4090 • Fax: (905) 332-7068 • Watts.ca
 Latin America: Tel: (52) 81-1001-8600 • Fax: (52) 81-8000-7091 • Watts.com