

Carleton Place Arena

Carleton Place

Job No. 20-524

Architect

Larry Gaines
14 Bridge Street,
Almonte, ON
K0A 1A0
Tel: 613-256-3630
E-Mail: gaines@bellnet.ca

Coordinator

Tom Warford - Merlin Door Systems Ltd
29 Cleopatra Drive
Ottawa, ON
K2G 0B6
Tel: 613-723-7900
Fax: 613-723-7976
E-Mail: Tom@merlindoor.com

Contractor

Tal-Co Limited
4728 Bank St,
Gloucester, ON
K1T 3W7
Tel: 613-821-2938

Estimator: Tom Warford
Detailer: Caleb Frizzle

Larry Gaines • Architect

SHOP DRAWING REVIEW

REVIEWED
 REVIEWED AS NOTED
 RESUBMIT

Larry Gaines
SIGNATURE



Merlin Door Systems
29 Cleopatra Drive
Nepean, ON, K2G 0B6

Carleton Place Arena
Carleton Place
Job No. 20-524

Hardware Schedule

Heading #1

Item #1	1 Single door D1, Dressing RM Corridor 111 From Exterior	RHR
Item #2	1 Single door D1A, Dressing RM Corridor 111 From Exterior	RHR
Item #3	1 Single door D1B, Dressing RM Corridor 111 From Exterior	RHR

38" x 84" x 1 3/4" - HM DR x HM FR

9	Standard Hinge	TA2314 4 1/2" x 4" NRP	US32D
3	Exit Device	8804 ETL RHR 38"	US26D/US32D
3	Kick Plate	K10A C32D 8x36.5" MS	US32D
3	Surface Closer	1431 CPS EN RHR	EN
3	Weatherstripping	W-20S-CA x 17'-2"	CA
3	Door Sweep	W-24S-CA x 38"	CA
3	Threshold	CT-46A x 38"	

Heading #2

Item #4	1 Single door D4, Dressing Room Corridor To Dressing Room D	RH
Item #5	1 Single door D4A, Dressing Room Corridor To Dressing Room C	LH
Item #6	1 Single door D4B, Dressing Room Corridor To Dressing Room B	RH
Item #7	1 Single door D4C, Dressing Room Corridor To Dressing room A	LH

38" x 84" x 1 3/4" - HM DR x HM FR

12	Standard Hinge	TA2314 4 1/2" x 4" NRP	US32D
2	Dead Lock	487 US26D LH	US26D
2	Dead Lock	487 US26D RH	US26D
2	Surface Closer	1431 RUO EN LH	EN
2	Surface Closer	1431 RUO EN RH	EN
4	Floor Door Stop	S102L C26D	US26D
4	Kick Plate	K10A C32D 8x36" MS	US32D
4	Kick Plate	K10A C32D 8x36.5" MS	US32D
4	Door Pull	H411 C32D	US32D



Merlin Door Systems
29 Cleopatra Drive
Nepean, ON, K2G 0B6

Carleton Place Arena
Carleton Place
Job No. 20-524

Heading #3

Item #8	1 Single door D5, Dressing Room D To Washroom	RH
Item #9	1 Single door D5A, Dressing Room C To Washroom	LH
Item #10	1 Single door D5B, Dressing Room B To Washroom	RH
Item #11	1 Single door D5C, Dressing Room A To Washroom	LH

38" x 84" x 1 3/4" - HM DR x HM FR

12	Standard Hinge	TA2314 4 1/2" x 4" NRP	US32D
4	Floor Door Stop	S102L C26D	US26D
2	Surface Closer	1431 RUO EN LH	EN
2	Surface Closer	1431 RUO EN RH	EN
2	Latchset	FW-10U65 LL US26D LH	US26D
2	Latchset	FW-10U65 LL US26D RH	US26D

Heading #4

Item #12	1 Single door D6, Staff Corridor 108 To Meeting Room 109	RH
Item #13	1 Single door D8, Staff Corridor 108 To Staff room 110	LH
Item #14	1 Single door D9, Corridor 200 To Office 201	LH
Item #15	1 Single door D10, Corridor 200 To Office 204	RH
Item #16	1 Single door D11, Corridor 200 To Office 203	LH
Item #17	1 Single door D12, Corridor 200 To Office 202	LH
Item #18	1 Single door D13, Lobby 101 To Office 107	LH
Item #19	1 Single door D20, Lobby 101 To Office	LH

38" x 84" x 1 3/4" - HM DR x HM FR

24	Standard Hinge	TA2314 4 1/2" x 4" NRP	US32D
6	Lockset	10G05 LL US26D LH	US26D
2	Lockset	10G05 LL US26D RH	US26D



Merlin Door Systems
 29 Cleopatra Drive
 Nepean, ON, K2G 0B6

Carleton Place Arena
 Carleton Place
 Job No. 20-524

Heading #5

Item #20	1 Single door D7, Staircase 104 To Meeting Room 109	RH
Item #21	1 Single door D15, Lobby 101 To Janitor / Storage	LH

38" x 84" x 1 3/4" - HM DR x HM FR - UL-B

6	Standard Hinge	TA2314 4 1/2" x 4" NRP	US32D
1	Surface Closer	1431 RUO EN LH	EN
1	Surface Closer	1431 RUO EN RH	EN
2	Floor Door Stop	S102L C26D	US26D
2	Threshold	CT-33 x 38"	
1	Lockset	10G05 LL US26D LH	US26D
1	Lockset	10G05 LL US26D RH	US26D

Heading #6

Item #22	1 Single door D14, Lobby 101 From New Kitchen 102	RHR
----------	---------------------------------------------------	-----

38" x 84" x 1 3/4" - HM DR x HM FR

3	Standard Hinge	TA2314 4 1/2" x 4" NRP	US32D
1	Floor Door Stop	S102L C26D	US26D
1	Lockset	10G05 LL US26D RHR	US26D
1	Threshold	CT-33 x 38"	

Heading #7

Item #23	1 Single door D16, Corridor 200 To Existing Staircase	LH
----------	-------------------------------------------------------	----

38" x 84" x 1 3/4" - HM DR x HM FR - UL-B

3	Standard Hinge	TA2314 4 1/2" x 4" NRP	US32D
1	Surface Closer	1431 RUO EN LH	EN
1	Lockset	10G05 LL US26D LH	US26D
1	Floor Door Stop	S102L C26D	US26D



Merlin Door Systems
 29 Cleopatra Drive
 Nepean, ON, K2G 0B6

Carleton Place Arena
 Carleton Place
 Job No. 20-524

Heading #8

Item #24 1 Single door D17, Existing Hall To Corridor 200 RH

38" x 84" x 1 3/4" - HM DR x HM FR

3	Standard Hinge	TA2314 4 1/2" x 4" NRP	US32D
1	Surface Closer	1431 RUO EN RH	EN
1	Floor Door Stop	S102L C26D	US26D
1	Lockset	10G05 LL US26D RH	US26D

Heading #9

Item #25 1 Single door D18, Corridor 200 To Existing Staircase RH

38" x 84" x 1 3/4" - HM DR x HM FR - UL-B

3	Standard Hinge	TA2314 4 1/2" x 4" NRP	US32D
1	Latchset	10U15 LL US26D RH	US26D
1	Surface Closer	1431 RUO EN RH	EN
1	Floor Door Stop	S102L C26D	US26D

Heading #10

Item #26 1 Single door D19, Dressing Room Corridor To Stairs 115 LHRHR

Item #27 1 Single door D19A, Staff Corridor 108 To Exit Corridor RHR

38" x 84" x 1 3/4" - HM DR x HM FR - UL-B

6	Standard Hinge	TA2314 4 1/2" x 4" NRP	US32D
1	Exit Device	8810 ETL LH US32D 38"	US32D
1	Exit Device	8810 ETL RHR US32D 38"	US32D
1	Surface Closer	1431 RUO EN LH	EN
1	Surface Closer	1431 RUO EN RHR	EN
2	Floor Door Stop	S102L C26D	US26D
2	Threshold	CT-33 x 38"	

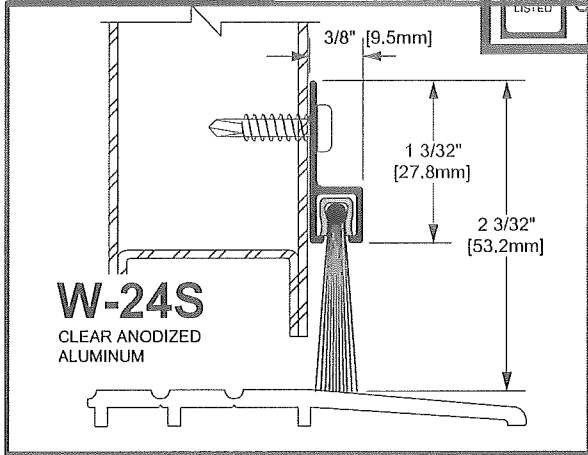
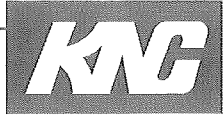


Merlin Door Systems
29 Cleopatra Drive
Nepean, ON, K2G 0B6

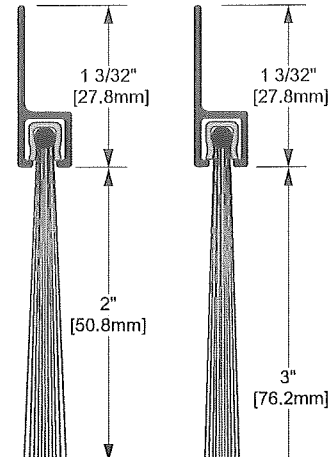
Carleton Place Arena
Carleton Place
Job No. 20-524

SWEEPS

ALL PRODUCTS LISTED ON THIS PAGE

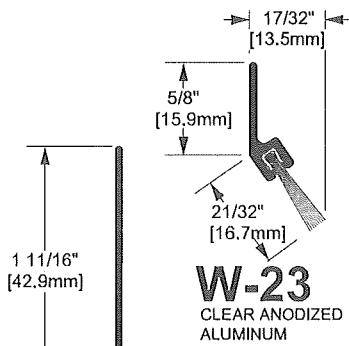


W-24S
CLEAR ANODIZED ALUMINUM

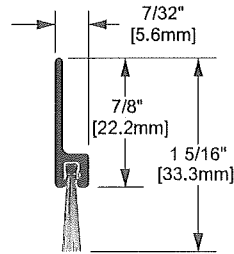


W-33S
CLEAR ANODIZED ALUMINUM

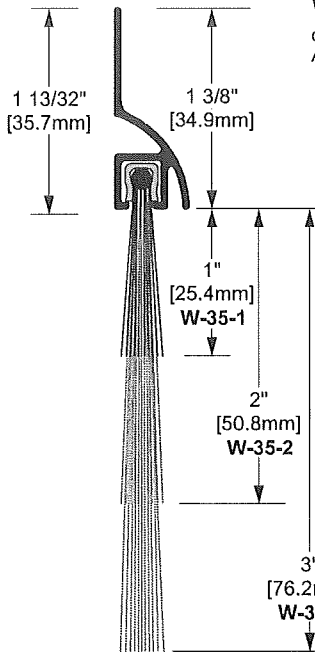
W-34S
CLEAR ANODIZED ALUMINUM



W-23
CLEAR ANODIZED ALUMINUM



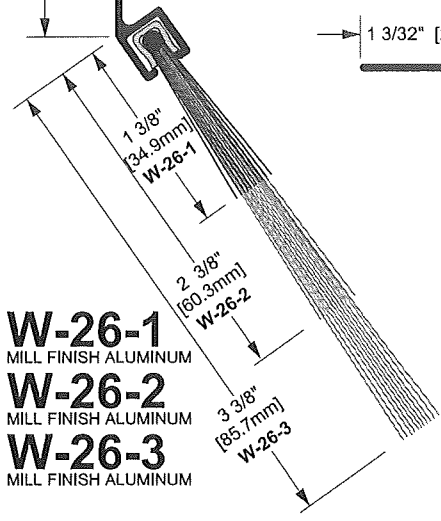
W-25S
CLEAR ANODIZED ALUMINUM



W-35-1
CLEAR ANODIZED ALUMINUM

W-35-2
CLEAR ANODIZED ALUMINUM

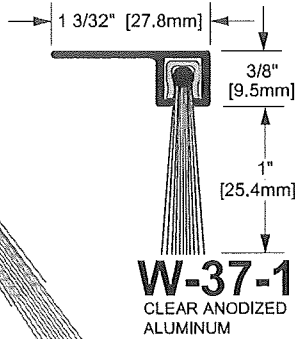
W-35-3
CLEAR ANODIZED ALUMINUM



W-26-1
MILL FINISH ALUMINUM

W-26-2
MILL FINISH ALUMINUM

W-26-3
MILL FINISH ALUMINUM



W-37-1
CLEAR ANODIZED ALUMINUM

100% CANADIAN OWNED AND OPERATED

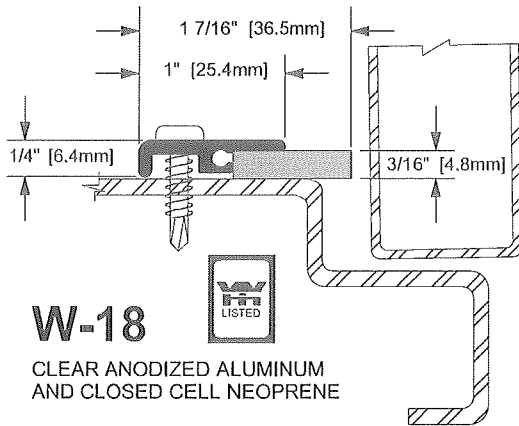
www.kncrowder.com



Merlin Door Systems
29 Cleopatra Drive
Nepean, ON, K2G 0B6

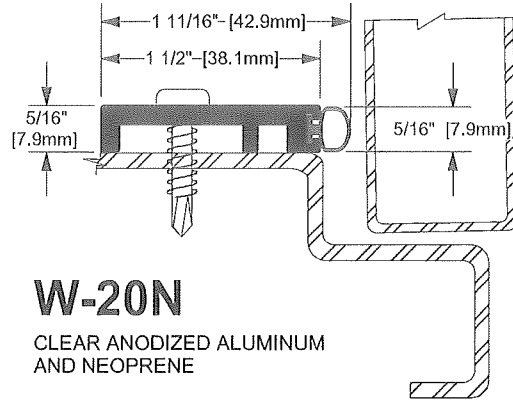
Carleton Place Arena
Carleton Place
Job No. 20-524

WEATHERSTRIP



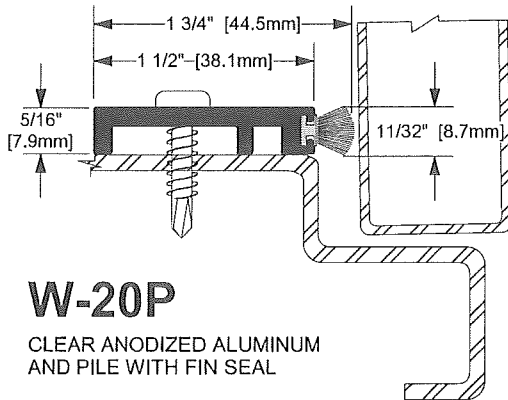
W-18

CLEAR ANODIZED ALUMINUM
AND CLOSED CELL NEOPRENE



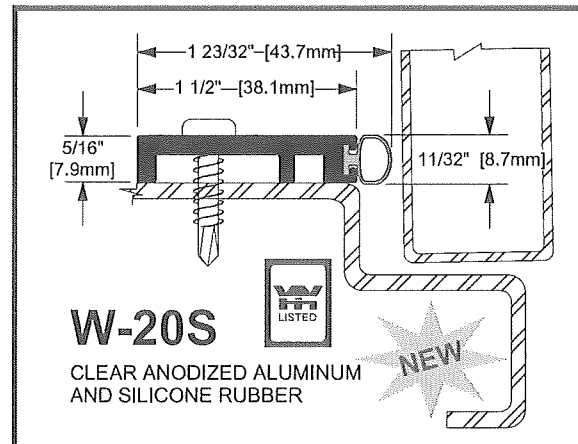
W-20N

CLEAR ANODIZED ALUMINUM
AND NEOPRENE



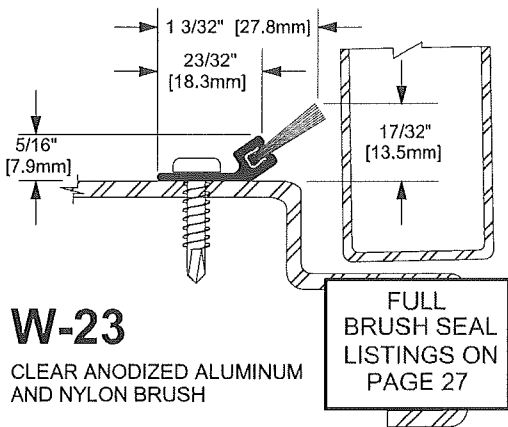
W-20P

CLEAR ANODIZED ALUMINUM
AND PILE WITH FIN SEAL



W-20S

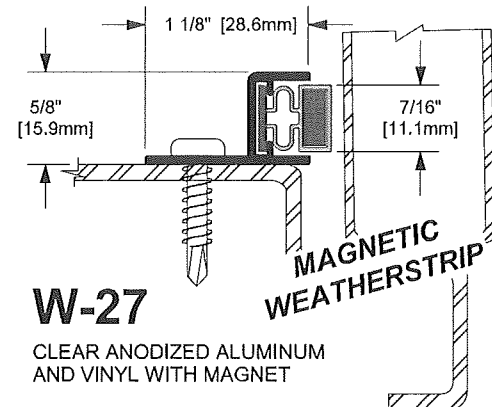
CLEAR ANODIZED ALUMINUM
AND SILICONE RUBBER



W-23

CLEAR ANODIZED ALUMINUM
AND NYLON BRUSH

FULL
BRUSH SEAL
LISTINGS ON
PAGE 27



W-27

CLEAR ANODIZED ALUMINUM
AND VINYL WITH MAGNET

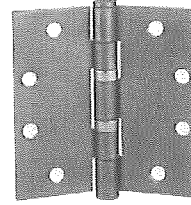
**MAGNETIC
WEATHERSTRIP**

Five Knuckle Standard Weight Series

Recommended for standard weight, medium frequency doors, or doors with closing devices.

- Use for common flush door/frame/wall applications
- For Beveled Edge, where doors are beveled on hinge side, specify TA4314 or TA4714
- For available finishes see page 29

TA2314
TA2714



No.	ANSI Cross Reference	Base Material	Weight
TA2314	A5112	Stainless	STD
TA2314	A2112	Brass	STD
TA2714	A8112	Steel	STD

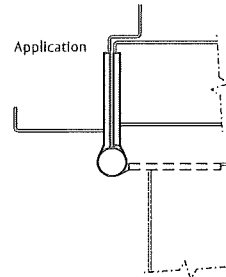
Specifications

Inches	mm	Gauge	No. of Holes	Fasteners	
				Machine	Wood
3 1/2" x 3 1/2"	88.9 x 88.9	.123	6	1/2 x 10-24	1 x 10
4" x 4"	101.6 x 101.6	.130	8	1/2 x 12-24	1 1/4 x 12
4 1/2" x 4"	114.3 x 101.6	.134	8	1/2 x 12-24	1 1/4 x 12
4 1/2" x 4 1/2"	114.3 x 114.3	.134	8	1/2 x 12-24	1 1/4 x 12
5" x 4 1/2"	127 x 114.3	.146	8	1/2 x 12-24	1 1/4 x 12
5" x 5"	127 x 127	.146	8	1/2 x 12-24	1 1/4 x 12
6" x 6"	152.4 x 152.4	.160	10	1/2 x 1/4-20	1 1/2 x 14

* Not available in Brass base material.

Options:

Code	Description	Code	Description	Code	Description
NRP	Non-Removable Pin	BT	Ball Tip	CC	Concealed Circuit – 2, 4, 6, 8, 10 or 12 wire available
TB	Ball Bearing	ST	Steeple Tip	CC-18	Concealed Circuit – 2, 4, 6, 8 or 10 wire available (2-18AWG wires and the remainder 28AWG wires)
TCA	Concealed Bearing	SSF	Safety Stud Feature	MM	Magnetic Monitoring
RC	Round Corner – 1/4" radius furnished unless specified otherwise	QC	Electrolynx® Hinge – 2, 4, 6, 8, 10 or 12 wire available		
HT	Hospital Tip				



McKinney Hinge Pin Door Stop

- Recommended for high-use or high impact doors with McKinney T2714 or TA2714 hinges
- Protects against damage to doors and walls
- Runs the full length of the hinge

Part Number	Description	Finish
76305	Hinge Pin Stop for MacPro MP79 & MPB79	26D
76306	Hinge Pin Stop for McKinney T2714 & TA2714	26D



ASSA ABLOY

The global leader in
FM-8 door opening solutions

800-346-7707 | www.assaabloydooraccessories.us
Check the web site for the up-to-date catalog

McKinney is a brand associated with ASSA ABLOY Accessories and Door Controls Group, Inc., an ASSA ABLOY Group company. Copyright © 2013-2019, ASSA ABLOY Accessories and Door Controls Group, Inc. All rights reserved. Reproduction in whole or in part without the express written permission of ASSA ABLOY Accessories and Door Controls Group, Inc. is prohibited.



Merlin Door Systems
29 Cleopatra Drive
Nepean, ON, K2G 0B6

Carleton Place Arena
Carleton Place
Job No. 20-524

SARGENT

ASSA ABLOY

10 Line

Cylindrical Lever Locks



Copyright © 2004-2009, 2011, 2013-2015 Sargent Manufacturing Company, an ASSA ABLOY Group company. All rights reserved. Reproduction in whole or in part without the express written permission of Sargent Manufacturing Company is prohibited.

ASSA ABLOY, the global leader
in door opening solutions



Merlin Door Systems
29 Cleopatra Drive
Nepean, ON, K2G 0B6

Carleton Place Arena
Carleton Place
Job No. 20-524

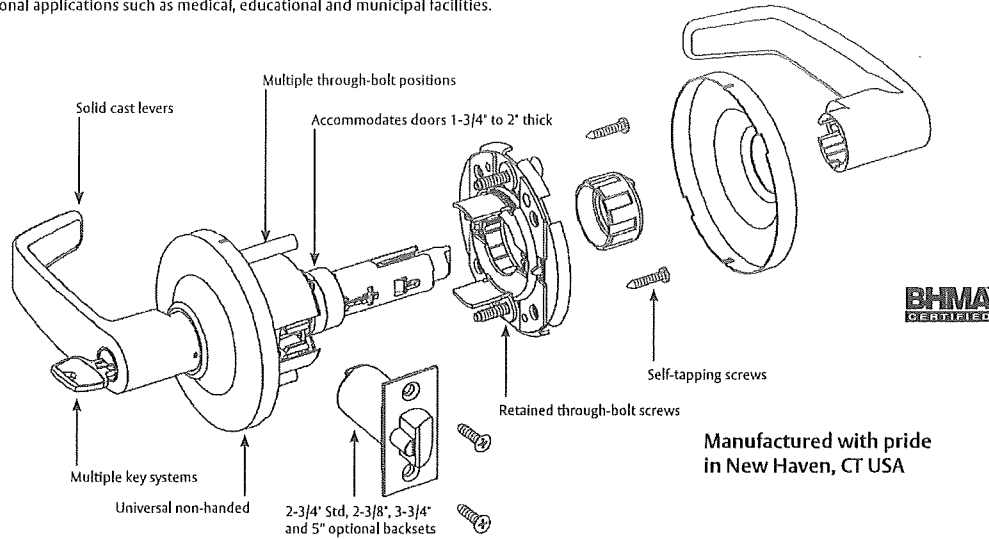
Features & Benefits

10 Line Cylindrical Lever Locks

SARGENT
ASSA ABLOY

Features & Benefits

A heavy duty cylindrical key-in-lever lock designed to exceed the requirements of ANSI 156.2 Series 4000 Grade 1. The 10 Line is the standard for institutional applications such as medical, educational and municipal facilities.



BHMA
CERTIFIED

Manufactured with pride
in New Haven, CT USA

Strength, Durability and Security

- Cycle Test: Exceeds 5 times A156.2 Grade 1 requirements
- Abusive Locked Lever Torque- without entry gained: Exceeds 1.5 times A156.2 Grade 1 requirements
- **7 YEAR LIMITED WARRANTY** - no service required to maintain warranty

Convenience

- Installs in 1 minute or less
- Quickly adapts to fit multiple through-bolt positions
- User friendly packaging
- User friendly instruction sheets
- Convenient installation diagram on box

Design

- Solid feel and precise lever action
- Slim rose design available
- Decorative Levers — Coastal Series designs — Gulfport and Yarmouth
- Levers are solid one piece cast construction, except "J" lever

Flexibility

- Fits a variety of door preparations with adaptable through-bolt positioning
- Accommodates retrofit applications with optional 2-3/8", 3-3/4" and 5" backset latches
- 6 ADA lever styles to complement a wide array of design applications
- Levers (B, L, J & P) are non-handed for efficient warehousing and for ease of installation
- 11 Architectural grade finishes
- 21 Functions
- SARGENT uses engineered solutions and flexible manufacturing processes to accommodate special applications

Security

- Torx® and spanner screws optional
- Classroom security and multiple locking functions available
- Vandal resistant trim optional (FW- option)
- Security key systems available (Signature, Keso, BR-XC, XC)

Applications

- Designed to conform to national & state fire and handicapped requirements
- Grade 1 Lock
- Heavy duty commercial and institutional interior and exterior doors
- Offices
- Schools/Universities
- Hospitals
- Manufacturing facilities

Copyright © 2004-2008, 2011, 2013-2015, Sargent Manufacturing Company, an ASSA ABLOY Group company. All rights reserved. Reproduction in whole or in part without the express written permission of Sargent Manufacturing Company is prohibited.

901443 | 10/30/15

2

1-800-727-5477 • www.sargentlock.com

ASSA ABLOY, the global leader in door opening solutions

MERLIN
DOOR
Systems
Ltd.

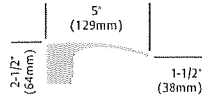
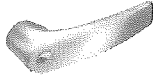
Merlin Door Systems
29 Cleopatra Drive
Nepean, ON, K2G 0B6

Carleton Place Arena
Carleton Place
Job No. 20-524

Lever & Rose Designs
10 Line Cylindrical Lever Locks

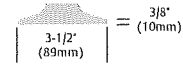
B Lever Design

- Lever: B-Solid Cast



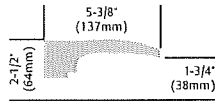
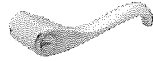
G Rose Design

- Rose G - Heavy Wrought



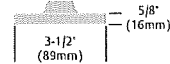
Y Lever Design - Coastal Design - Yarmouth

- Lever: Y-Solid Cast
- Handed



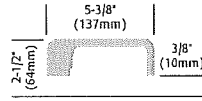
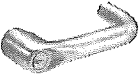
L Rose Design

- Rose L - Heavy Wrought



J Lever Design

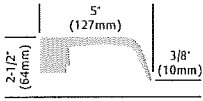
- Lever: J-Wrought



J lever - not available with Freewheeling or Interchangeable Core

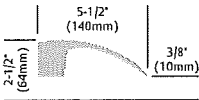
L Lever Design

- Lever: L-Solid Cast



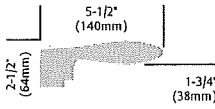
P Lever Design

- Lever: P-Solid Cast



G Lever Design - Coastal Design - Gulfport

- Lever: G-Solid Cast
- Handed



NOTE: Any rose or lever on this page can be combined to suit individual taste.
NOTE: All lever height measurements represent total distance from door face.

Copyright © 2004-2009, 2011, 2013-2015, Sargent Manufacturing Company, an ASSA ABLOY Group company. All rights reserved.
Reproduction in whole or in part without the express written permission of Sargent Manufacturing Company is prohibited.

ASSA ABLOY, the global leader in door opening solutions

1-800-727-5477 • www.sargentlock.com

3

901443; 10/30/15



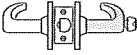
Merlin Door Systems
29 Cleopatra Drive
Nepean, ON, K2G 0B6

Carleton Place Arena
Carleton Place
Job No. 20-524

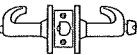
Functions
10 Line Cylindrical Lever Locks

Single Cylinder Functions

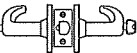
04 Storeroom or Closet

- 10G04
- 
- Deadlocking latch
 - Latch by lever inside or key outside
 - Outside lever rigid at all times
 - ANSI F86

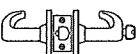
05 Entrance or Office

- 10G05
- 
- Deadlocking latch
 - Latch by either lever unless outside lever is locked by push/turn button in inside lever
 - Push button released by key outside or lever inside
 - Turn button must be released manually
 - Key retracts latch when outside lever is locked
 - ANSI F109

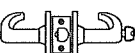
24 Entrance or Office

- 10G24
- 
- Deadlocking latch
 - Latch by either lever unless outside lever is locked by push button in inside lever
 - Push button released by key or turning inside lever
 - Closing door does not unlock outside lever or release button
 - Key in outside lever retracts latch when outside lever is locked and releases inside push button
 - ANSI F82

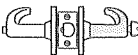
37 Classroom

- 10G37
- 
- Deadlocking latch
 - Latch by either lever unless outside lever is locked by key
 - Key in outside lever locks or unlocks outside lever and retracts latch
 - Inside lever always operative
 - ANSI F84

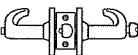
44 Service Station

- 10G44
- 
- Deadlocking latch
 - Latch by either lever unless outside lever is locked by push button in inside lever
 - Key retracts latch when outside lever is locked
 - Push button released by turning inside lever, closing door, or by key in outside lever unless push button is fixed in locked position by turning coin slot in inside lever
 - Slotted inside button must be manually released
 - ANSI F92

50 Hotel, Dormitory or Apartment

- 10G50
- 
- Deadlocking latch
 - Latch by key outside and lever inside
 - Outside lever always rigid
 - Depressing push button when door is closed shuts out all keys except emergency key and projects visual occupancy indicator in cylinder face
 - Push button released by turning inside lever automatically reactivating all keys and retracting visual occupancy indicator
 - Lock out key fixes push button in locked position, shutting out all keys except emergency
 - Push button fixed by lockout key must be released manually
 - Lock out key provided
 - See option page for restrictions to 50 function
 - Emergency key ordered separately. Part # 6267EMK
 - ANSI F93

54 Corridor, Dormitory

- 10G54
- 
- Deadlocking latch
 - Latch by either lever unless outside lever is locked by push button inside or key outside
 - Rotating inside lever or closing door releases inside button only, but does not unlock the outside lever if locked by key
 - Key outside locks or unlocks outside lever and also retracts latchbolt when locked
 - ANSI F90

Freewheeling Locked Lever Option

- Available on all locking functions except 10G70 and 10G71
- Provides protection from vandalism and added security
- Stops in the rose prevent the lever from traveling beyond 60° in either direction
- Not available in "J" Lever Design and some options

Note: Shaded lever indicates it is rigid at all times.

Copyright © 2004-2009, 2011, 2013-2015, Sargent Manufacturing Company, an ASSA ABLOY Group company. All rights reserved. Reproduction in whole or in part without the express written permission of Sargent Manufacturing Company is prohibited.

90144-1 | 10/30/15

4

1-800-727-5477 • www.sargentlock.com

ASSA ABLOY, the global leader in door opening solutions



Merlin Door Systems
29 Cleopatra Drive
Nepean, ON, K2G 0B6

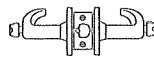
Carleton Place Arena
Carleton Place
Job No. 20-524

Functions

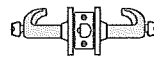
10 Line Cylindrical Lever Locks

Double Cylinder Functions

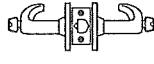
16 Classroom Security, Apartment, Exit, Privacy

- 10G16
- 
- Deadlocking latch
 - Latch by either lever unless outside lever is locked by key in inside lever
 - Key in outside lever retracts latch when outside lever is locked
 - Inside lever always operative
 - ANSI F88

17 Utility, Asylum or Institutional

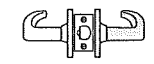
- 10G17
- 
- Deadlocking latch
 - Both levers rigid at all times
 - Latch by key either side
 - Use only on rooms with more than one exit
 - ANSI F87

26 Store or Storeroom

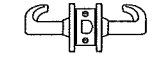
- 10G26
- 
- Deadlocking latch
 - Latch by either lever
 - Key in either lever locks or unlocks both levers
 - ANSI F91

Non-Cylinder Functions

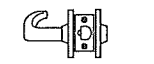
13 Exit

- 10U13
- 
- Deadlocking latch
 - Latch by inside lever
 - Outside lever rigid at all times
 - ANSI F89


15 Passage

- 10U15
- 
- Latch by either lever
 - ANSI F75

15-3 Exit or Communicating

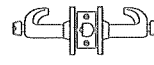
- 10G15-3
- 
- Deadlocking latch
 - Blank rose outside
 - Latch by lever inside
 - Minimum clearance of 1-1/8" on single doors and 2-1/4" between double doors

65 Privacy/Bathroom

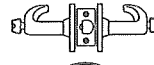

- 10U65
- 
- Latch by either lever unless outside lever is locked by push button in inside lever
 - Turning inside lever or closing door releases button
 - Emergency button in outside lever unlocks, with use of a blade screwdriver in outside lever and releases inside button
 - ANSI F76
- Note: Shaded lever indicates it is rigid at all times.

ASSA ABLOY, the global leader in door opening solutions

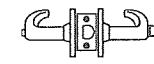
30 Communicating

- 10G30
- 
- Deadlocking latch
 - Latch by either lever
 - Key in either lever locks or unlocks its own lever only
 - Use only on rooms with more than one exit
 - ANSI F80

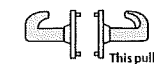
38 Classroom Security Intruder

- 10G38
- 
- 
- Deadlocking latch
 - Latch by either lever unless outside lever is locked by key
 - Key in either lever locks or unlocks outside lever
 - Inside lever always operable
 - Locked indication on inside rose standard with this function

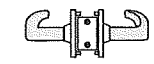
68 Hospital Privacy

- 10U68
- 
- Latch by either lever unless outside lever is locked by push button in inside lever
 - Turning inside lever or closing door releases button
 - Rotating thumbturn in outside lever unlocks the outside lever and releases the inside button
 - Not available in the "J" lever design

93 Single & 94 Double Lever Pulls

- 10U93/10U94
- 
- For wood or custom hollow metal doors
 - Lever and rose both sides joined by two through-bolts
 - Requires special door preparation — see template
- This pull only for 93

94-2 Double Lever Pull

- 10U94-2
- 
- For wood or custom hollow metal doors
 - Lever and rose both sides joined by two through-bolts
 - Dummy latch plate
 - Uses standard door prep template

Freewheeling Locked Lever Option

- Available on all locking functions except 10G70 and 10G71
- Provides protection from vandalism and added security
- Stops in the rose prevent the lever from traveling beyond 60° in either direction
- Not available in "J" Lever Design and some options

Copyright © 2004-2009, 2011, 2013, 2015 Sargent Manufacturing Company, an ASSA ABLOY Group company. All rights reserved. Reproduction in whole or in part without the express written permission of Sargent Manufacturing Company is prohibited.

901443 10/30/15

1-800-727-5477 • www.sargentlock.com

5

How to Order, Packaging, Finishes

10 Line Cylindrical Lever Locks

SARGENT
ASSA ABLOY

How to Order

5	10-RX-28-	10G70	G	Y	RH	12VDC	15	Door 3
Quantity	Options*	Lock & Function	Rose	Lever	Hand	Voltage	Finish	Additional Information
	Available Options Pg 7-8 (Note: 28- for 808 ANSI Strike)	Available Functions Pg 3-5	Available Roses G & L	Available Levers B, Y, J, L, P & G	RH, LH, RHR, LHR	12VDC or 24VDC Required Information For 70 & 71 Functions	Available Finishes Pg 6	Such as Item, Heading Number, Door Number, Keyset

* Multiple options may be selected

Packaging

28-10G05 x LL
4.2 lbs/box (1.9 kg/box)
10 boxes/case

6 Lobe and Spanner Bit Packs

82-3855	6 lobe bit pack 6 bits (Sizes – T8, T9, T10, T15, T20, T25, T27) Requires 9/32" driver
82-3856	Spanner bit pack 5 bits (Sizes – 6, 8, 10, 12, 14) Requires 1/4" driver

Latches

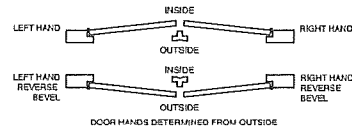
Part No.	Description (backsets)
10-2000	2-3/4" (70mm) standard (deadlocking latch)
10-2022	2-3/4" (70mm) standard (latch)
10-3186	2-3/8" (60mm) standard (deadlocking latch)
10-3187	2-3/8" (60mm) standard (latch)
10-2053	3-3/4" (95mm) 23 Option (deadlocking latch)
10-2054	3-3/4" (95mm) 23 Option (latch)
10-2058	5" (127mm) 25 Option (deadlocking latch)
10-2057	5" (127mm) 25 Option (latch)

Finishes

Finish	Descriptions	ANSI/BHMA
03	Polished brass, clear coated	605
04	Satin brass, clear coated	606
09	Polished bronze, clear coated	611
10	Satin bronze, clear coated	612
10B	Oxidized bronze, oil rubbed	613
10BE	Dark Oxidized Satin Bronze - equivalent	613E
10BL	Oxidized satin, bronze, clear coated	614
14	Polished nickel, clear coated	618
15	Satin nickel, clear coated	619
20D	Statuary dark bronze, clear coated	624
26	Polished chrome	625
26D	Satin chrome	626
SG- Option	MicroShield® antimicrobial clear powder coat (only available with 15 and 26D finishes)	

Zinc levers are plated to match BHMA finish.
Split finishes available. Specify outside finish first.
Custom colors available, consult factory.

Hand



Copyright © 2004-2009, 2011, 2013-2015, Sargent Manufacturing Company, an ASSA ABLOY Group company. All rights reserved. Reproduction in whole or in part without the express written permission of Sargent Manufacturing Company is prohibited. 901443 10/30/15

10

1-800-727-5477 • www.sargentlock.com

ASSA ABLOY, the global leader in door opening solutions



Merlin Door Systems
29 Cleopatra Drive
Nepean, ON, K2G 0B6

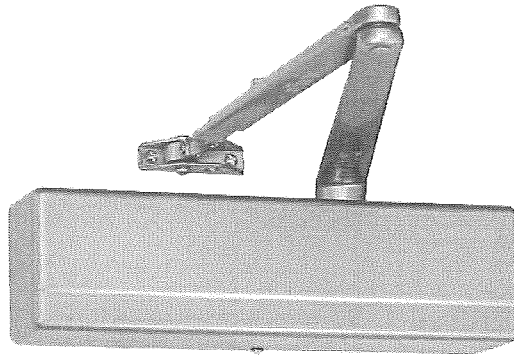
Carleton Place Arena
Carleton Place
Job No. 20-524

SARGENT®

ASSA ABLOY

1431 Series

Powerglide® Door Closer



Copyright © SARGENT Manufacturing Company 2005-2007, 2009-2015, All rights reserved.
Reproduction in whole or in part without the express written permission of Sargent Manufacturing Company is prohibited.

ASSA ABLOY, the global leader
in door opening solutions

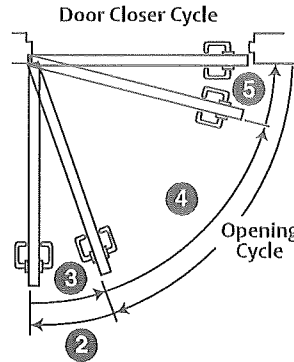


Merlin Door Systems
29 Cleopatra Drive
Nepean, ON, K2G 0B6

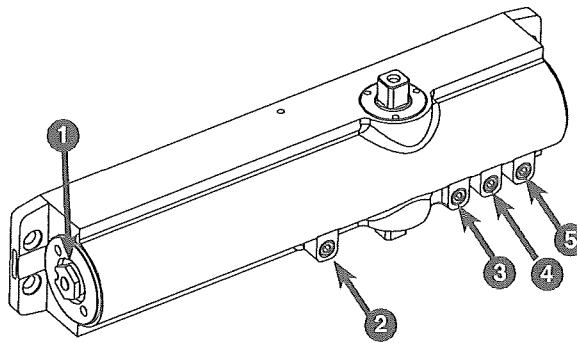
Carleton Place Arena
Carleton Place
Job No. 20-524

General Information
1431 Series Powerglide®

- 1 Closer Spring Adjustment** (not shown)
 - Effects the entire cycle of the door closer movement
 - Used to size closer for application requirements
 - Determines the amount of force with which the door closes and the amount of force required to open the door
 - Adjustable to compensate for door size and draft conditions
- 2 Backcheck valve**
 - At approximately 70° of the open cycle, the Backcheck Valve begins to slow the door's motion
 - Prevents the door from slamming into the door's stop
 - Valve is used to control the intensity of the Backcheck
 - **Note:** A Positive stop is required, Backcheck cannot be used as a stop



- 3 Delayed action valve (Optional)**
 - Holds the door in the open position momentarily
 - 20 second minimum hold open delay
 - The feature is available for all applications and arms
 - Beneficial when moving carts or objects thru door opening and ADA applications
- 4 Closing speed valve**
 - Controls how fast the door closes to approximately 8" from the closed position
- 5 Latching speed valve**
 - Controls the speed of the door during the final 8" of door swing
 - The force the door closes with is controlled by the Closer spring
 - **Note:** This adjustment is critical for door latching



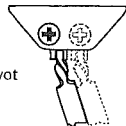
ANSI Standards

ARM	TYPE	ARM	TYPE
O	CO2011	PF9	CO2101
P9	CO2021	P10	CO2021
H	CO2051	PS/CPS	CO2021
PH9	CO2061	CPSH/PSH	CO2061

All are certified ANSI types including options PT4 A, B, D, E, F, G, H

Arm Leverage Adjustment

Closers using "O" arms have the provision to increase closing power by 15% by adjusting foot pivot



How to Select the Proper Closer

Things to Consider

1. Size and Weight of Door

The 1431 Door Closer is non-sized so that closing force can be adjusted in the field to accommodate various door sizes and weights.

2. Interior Application

The standard application is the most efficient in terms of power and control.

3. Exterior Application

The top jamb, parallel arm application should be used. Exterior doors require greater closing forces because of draft conditions. Always place the closers out of the weather.

4. Degree of Opening

Proper arm and position on the door is most important to permit the door to open far enough to allow adequate traffic flow.

5. Function

Closers are available with hold-open or positive stop arms.

6. Special Condition

Consult factory when special hinges, overhead holders or other specialized hardware is used.

ASSA ABLOY, the global leader in door opening solutions

1-800-727-5477 • www.sargentlock.com

1

Copyright © 2005-2007, 2009-2015, Sargent Manufacturing Company, an ASSA ABLOY Group company. All rights reserved. Reproduction in whole or in part without the express written permission of Sargent Manufacturing Company is prohibited.

90123-AM 12/03/15



Merlin Door Systems
29 Cleopatra Drive
Nepean, ON, K2G 0B6

Carleton Place Arena
Carleton Place
Job No. 20-524

How to Order 1431 Series Powerglide®

Packing

All closer assemblies are packaged 4 per carton. On request, door closers will be packed 2 per carton.

How To Order

Options	Series	Closer Arm	Finish	Hand
CPC-DA	1431	P4H	26	LH
31-	1431	Standard Page 4	EB	LH
36-			ED	RH
74-		Top Jamb Page 6	EN	
CPC			EP	
DA-		Parallel Pages 8 & 9	EAB	
MC-			03*	
SG-			04*	
SRI-			09*	
TB-		Track Type Page 11	10*	
			10B*	
	10BE			
	10BL*			
			14*	
			15*	
			20D*	
			26*	
			26D*	

* These finishes are automatically provided with a metal cover

Series Number per Carton Approx. wt per Carton

1431	4-Standard (2 upon request)	19 lbs. per 4
------	-----------------------------	---------------

Options Available

Specify	Detailed Description
31-	For doors 1-7/8" - 2-1/4" thick, specify door thickness, doors over 2-1/4" thick contact factory
36-	Security Torx Screws supplied for all exposed fasteners
74-	Lead lined cover
CPC-	Clear Powder Coat (available on 26 & 26D)
DA-	Delayed Action
MC-	Handed Metal Cover
SRI-	Special Rust Inhibitor finish for powder coated finishes only (arm)
TB-	Through Bolt (1-3/4" Std) For others, specify 31-TB- & door thickness

Note:

- The MC- option is used when a metal cover is desired on a powder coated finish
- When MC- is added to a plated finish, the MC- option indicates that only the cover is to be plated, the arms will be powder coated to match
- Do not specify the MC option if both the cover and arms are to be plated

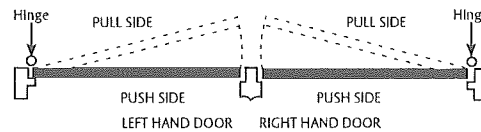
How To Order

Accessories

Example

Arm only	Specify 25-, arm required and finish	25-PSH EN
Body only	Specify CB-1431 (Option DA- available)	CB-1431
Arm conversion Units	Specify unit and finish	125-P9 EB
Cover Only (Standard)	1431-C x finish	1431-C x EN
Cover Only (Metal)	1431-CMC x finish and hand & arm type	1431-CMC x 26D x LH X P-10
Accessories	Specify accessory and finish See applicable catalog section	1431-D EB

When complete closer assembly is ordered with an accessory, order accessory as a separate item



Finishes

Finishes	ANSI/BHMA	Description
EB	695	Bronze powder coated to match finish 10B
EN	689	Aluminum powder coated
ED	693	Black powder coated to match finish 20D
EAB	696	Brass powder coated
EP	691	Bronze powder coated to match finish 10
03	605	Bright brass, clear coated
04	606	Satin brass, clear coated
09	611	Bright bronze, clear coated
10	612	Satin bronze, clear coated
10B	613	Dark oxidized satin bronze, oil rubbed
10BE	613E	Dark oxidized satin bronze - equivalent
10BL	614	Oxidized satin, bronze, clear coated
14	618	Bright nickel plated, clear coated
15	619	Satin nickel, clear coated
20D	624	Statuary dark bronze, clear coated
26	625	Bright chromium plated
26D	626	Satin chromium plated

Special Rust Inhibitor Process (SRI)

Additional process available for bracket and arms provides an extra layer of protection for extreme corrosive environments. Available with powder coated finishes only, specify SRI- as an option when ordering.

Copyright © 2005-2007, 2009-2015, Sargent Manufacturing Company, an ASSA ABLOY Group company. All rights reserved. Reproduction in whole or in part without the express written permission of Sargent Manufacturing Company is prohibited. 90121-BK 12/03/15

14

1-800-727-5477 • www.sargentlock.com

ASSA ABLOY, the global leader in door opening solutions



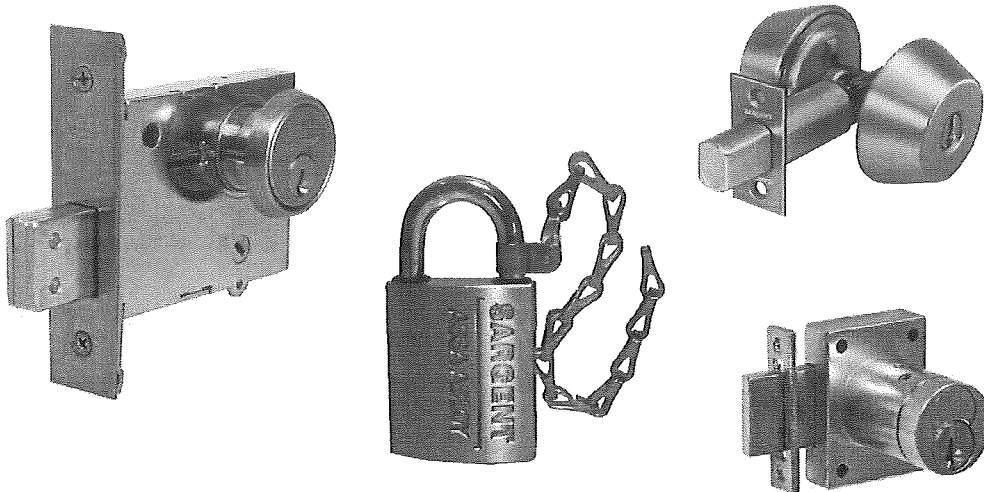
Merlin Door Systems
29 Cleopatra Drive
Nepean, ON, K2G 0B6

Carleton Place Arena
Carleton Place
Job No. 20-524

SARGENT

ASSA ABLOY

Auxiliary Locks



Copyright © 2003, 2004, 2007-2015, Sargent Manufacturing Company, an ASSA ABLOY Group company. All rights reserved.
Reproduction in whole or in part without the express written permission of Sargent Manufacturing Company is prohibited.

ASSA ABLOY, the global leader
in door opening solutions



Merlin Door Systems
29 Cleopatra Drive
Nepean, ON, K2G 0B6

Carleton Place Arena
Carleton Place
Job No. 20-524

480 Series Grade 1 Deadbolts Auxiliary Locks

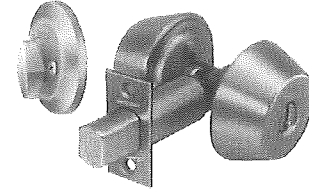
SARGENT ASSA ABLOY

Specifications

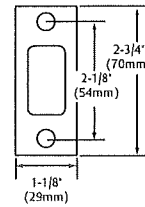
For Doors	1-3/8" (35mm) to 1-3/4" (44mm) thick standard For doors over 1-3/4" (44mm) consult factory (2-1/4" Thick door max)
Door Prep	Fits 161 (standard) cut outs and Fits 160 with 2-3/8" (60mm) backset with 1" (25mm) front and for 1-3/8" (35mm) thick door
Backsets	2-3/4" (70mm) standard, 2-3/8" (60mm) optional (20- option)
Strike	Wrought brass, bronze or stainless steel
Bolt	Solid steel with hardened steel pin insert and nickel silver plating 7/8" (22mm) x 5/8" (16mm) x 1" (25mm) throw
Cylinder	Brass, 6 pin, 2 nickel silver keys
Masterkeying	Can be masterkeyed. Construction key system available
Front	Wrought brass, bronze or stainless steel 2-1/4" (57mm) x 1-1/8" (29mm) with fixed bevel 1/8" (3mm) in 2" (51mm) furnished standard
Hand	Non handed, field reversible
Turn Lever	Non-ferrous
Housing	Non-ferrous, reinforced, one piece 2-1/2" (64mm) diameter LFC options: housing brass & zinc, two piece Concealed screws on double cylinder function
Specification	Meets ANSI A156.5 Grade 1 requirements with 408 or 488 strike
UL/cUL Listed	UL listed to U.S. and Canadian safety standards
Positive Pressure	Meets ANSI/JUL 10C, Positive Pressure Fire Test of Door Assemblies
Mechanical Options	Cylinder Options see page 10 16- 400 "T" shaped strike with strike box 20- 2-3/8" (60mm) backset, 2-3/4" (70mm) x 1" (25mm) wide front 28- 408 Flat lip strike ANSI A115.2 36- 6-Lobe security Head Screw 37- Spanner Head Screw 48- 488 Reinforced strike with 4 mounting screws and strike box
Finishes	03, 04, 10, 10B, 10BE, 26, 26D For other finishes consult factory

480 Series Deadbolt

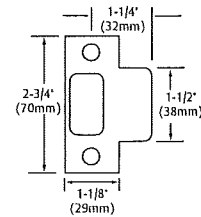
Inside Turn Lever



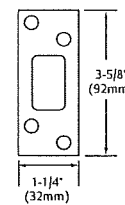
404 Strike
(Standard)



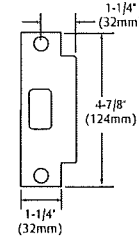
400 T-Shaped Strike
(16- Option)



488 Reinforced Strike
(48- Option)



408 Flat Lip Strike
(28- Option)



Any retrofit or other field modification to a fire rated opening can potentially impact the fire rating of the opening, and Sargent Manufacturing Company makes no representations or warranties concerning what such impact may be in any specific situation. When retrofitting any portion of an existing fire rated opening, or specifying and installing a new fire-rated opening, please consult with a code specialist or local code official (Authority Having Jurisdiction) to ensure compliance with all applicable codes and ratings.

How To Order

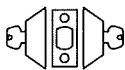
10-28-	487	26D
Options	Series x Function	Finish
Mechanical Options this page	484 485	03, 04, 10, 10B, 10BE, 26 & 26D
Cylinder Options Page 10	486 487 489	

Packaging — 480 Series

Approximate Shipping Weights	
2 lbs. (.9 kg)/Box	10 Boxes/Case

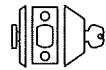
Functions * NOTE - Use only on rooms with more than one exit

*484 Double Cylinder



- Key from either side operates deadbolt
- ANSI E0141

485 Single Cylinder



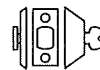
- Key outside operates deadbolt
- Thumb turn inside operates deadbolt
- ANSI E0151

*486 Single Cylinder



- Key outside operates deadbolt
- Blank plate by exposed screws inside. Minimum 1" (25mm) required between doors
- ANSI E0161

487 Classroom



- Key outside operates deadbolt
- Thumb turn inside retracts deadbolt, but will not project the deadbolt
- ANSI E0161

489 Exit



- Thumb turn inside operates deadbolt
- Blank outside plate

90125-A 10/30/15

4

1-800-727-5477 • www.sargentlock.com

ASSA ABLOY, the global leader in door opening solutions



Merlin Door Systems
29 Cleopatra Drive
Nepean, ON, K2G 0B6

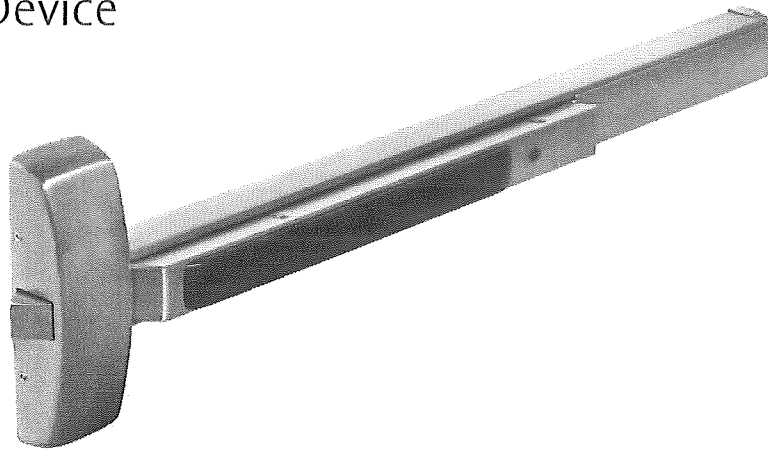
Carleton Place Arena
Carleton Place
Job No. 20-524

SARGENT®

ASSA ABLOY

80 Series

Exit Device



Copyright © 1998-2015, Sargent Manufacturing Company, an ASSA ABLOY Group company. All rights reserved.
Reproduction in whole or in part without the express written permission of Sargent Manufacturing Company is prohibited.

ASSA ABLOY, the global leader
in door opening solutions



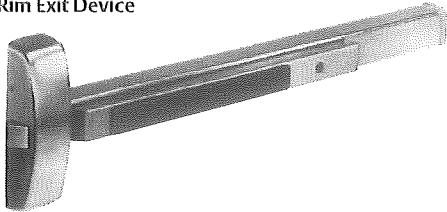
Merlin Door Systems
29 Cleopatra Drive
Nepean, ON, K2G 0B6

Carleton Place Arena
Carleton Place
Job No. 20-524

8800 Rim Exit Device

80 Series

8800 Series Rim Exit Device



8800 Features

- Designed for standard width stile applications on wood and metal doors
- Also available as an HC8800 or WS8800 for hurricane-resistant applications, see Hurricane-Resistant section of this catalog
- Single point rim latching device
- Single door & double door applications with mullions
- Quiet operation and solid security
- Devices are ANSI A156.3 - Grade 1
- UL Fire and Panic listed

Specifications 8800 Series Rim Exit Device

Door Types	Wood or metal 1-3/4" (44 mm) minimum thickness. For doors over 1-3/4" to 2-1/4" thick, specify thickness and order as 31-
Rail sizes as determined by door width	Rails are available in 4 sizes, use door width to determine size needed. Rails will be factory cut to size, if door width is supplied <ul style="list-style-type: none"> • E Rail for 24" to 32" door widths, No cutting required for 32" door • F Rail for 33" to 36" door widths, No cutting required for 36" door • J Rail for 37" to 42" door widths, No cutting required for 42" door • G Rail for 43" to 48" door widths, No cutting required for 48" door
Strike	649 Standard Black Nylon Coated
Optional Strikes	642, 644 and 613
Dogging Feature	Hex key dogging standard on non fired rated devices; specify 16- for cylinder dogging (#41 cylinder supplied)
Electric Options	AL- Alarm BT- Beacon™ PL- SARGuide Photoluminescent Coated TL- SARGuide Illuminated Touchpad
	49- Indicator 53- LX Latchbolt Monitor 54- Outside Lever Monitoring 55- Request-to-Exit Signal - Rail Monitoring 56- Remote Latch Retraction 57- Delay Egress & Electromagnets 58- Electric Dogging 59- Electroguard - Self Contained Delayed Egress
Mounting Fasteners	Supplied standard with wood and machine screws Available with through-bolts and mortise (sex) nuts
Latch Bolt	Stainless steel, 3/4" (19mm) throw
Device Centerline from Finished Floor	41" (1041 mm) for Standard Applications
Center Case Dimensions	8-3/8" (213mm) x 2-5/8" (67mm)
Projection	Pushbar Neutral - 3" (76 mm) Pushbar Depressed - 2-1/8" (54 mm)
Fire Exit Hardware	See Chart - Page 3

49- Lock/Unlock Indicator Option



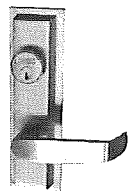
- Displays whether the door has been secured by the inside cylinder.
- Red icon indicates locked
- White icon indicates unlocked
- Dogging overrides 49- functionality (must order less dogging)
- Available on 8816 and 8866 functions only

649 Strike



- Supplied standard for panic & fire rated openings
- Surface applied
- Black nylon coated

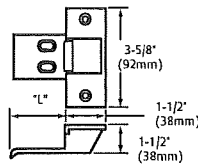
688 Trim Retrofit Kit



- 688 Trim Retrofit kit allows an 8800* Series rim exit with an ET to replace Von Duprin's 98/99 Series exit with trim with minimal door prep.
- *Except for 16 function
- Order as: 688 Kit

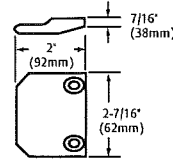
Alternate Strikes For 8800 Rim Devices

642 Strike



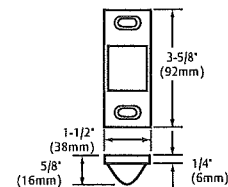
- Mortised. Dimension "L" equals door thickness plus 1/2" (13mm). Black nylon coated on lip only

644 Strike



- Surface applied. For use on pairs of doors without mullion. Ductile iron. Black nylon coated

613 Strike



- Half mortised. Black nylon coated

ASSA ABLOY, the global leader in door opening solutions

1-800-727-5477 • www.sargentlock.com

7

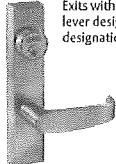
Copyright © 1988-2015 Sargent Manufacturing Company, an ASSA ABLOY Group company. All rights reserved. Reproduction in whole or in part without the express written permission of Sargent Manufacturing Company is prohibited. 9064110 09/01/15



Merlin Door Systems
29 Cleopatra Drive
Nepean, ON, K2G 0B6

Carleton Place Arena
Carleton Place
Job No. 20-524

8800 Functions and Trims 80 Series

Options F1-83-56	Series 88	Function 13	Rail Lgth F	Trim ETL	Hand RHR	Outside Finish 26D	Inside Finish 32D	Door Width 36"	Options
700 Series ET Trim									
		SARGENT Function Numbers		ANSI Function Numbers		Description & Cylinder Info (1-3/4" Door)		ANSI Type 1 8800 Panic & Fire	
Exits with ET Trim, specify lever design after the ET designation (e.g., ETL)		04	03	Night Latch Key Retracts Latch #34 Cylinder Supplied		8804 x ET			
		06	09	Key unlocks Trim, Trim retracts latch/ Trim relocks when key is removed #41 Cylinder Supplied		8806 x ET			
		10	01	No outside operation (No Cylinder)		8810			
		10	02	No outside operation (No Cylinder) ET Control is used as Pull Only		8810 x ET			
		13	08	Key Outside Unlocks/locks Trim #41 Cylinder Supplied		8813 x ET			
		15	14	Passage Only (No cylinder)		8815 x ET			
		16	10	Key Outside Retracts Latch; Key Inside Unlocks/Locks OJS Trim OJS #34 Cylinder & IJS #44 Cylinder Supplied		8816 x ET			
		40	02	Freewheeling Trim - No outside operation (No Cylinder) Dummy Trim		8840 x ET			
		43	08	Freewheeling Trim - Key Outside Unlocks/locks Trim #41 Cylinder Supplied		8843 x ET			
		44	03	Freewheeling Trim - Key Retracts Latch #34 Cylinder Supplied		8844 x ET			
		46	09	Freewheeling Trim - Key unlocks Trim, Trim retracts latch/ Trim relocks when key is removed #41 Cylinder Supplied		8846 x ET			
		73		Electrified ET Trim - Fail Safe Power Off, Unlocks Lever (No Cylinder)		8873 x ET			
		74		Electrified ET Trim - Fail Secure Power Off, Locks Lever (No Cylinder)		8874 x ET			
		75		Electrified ET Trim - Fail Safe Power Off, Unlocks Lever, Key Retracts Latch #34 Cylinder Supplied		8875 x ET			
		76		Electrified ET Trim - Fail Secure Power Off, Locks Lever, Key Retracts Latch #34 Cylinder Supplied		8876 x ET			

Lever Designs for ET Controls

A, B, E, F, J, L, P, W

Also available with Coastal Series & Studio Collection Levers

ET Designation with Suffix (Used to order ET without device)

8800 Series: 704, 706-8, 710, 713-8, 715-8, 716, 740, 743-8, 744, 746-8, 773-8, 774-8, 775-8 & 776-8

Freewheeling Trim

The lever rotates when the door is locked preventing excessive force from being applied to the horizontal lever

Electrified ET Trim

Voltage must be specified for the following functions: 73, 74, 75 and 76. Specify: 12VDC or 24VDC

Note: Exit devices are available in all standard finishes, except 14, 15, 26 & 26D. With these finishes, exit devices are supplied in 32 or 32D to match accordingly. 32 or 32D is automatically supplied when 26 or 26D is specified. For nickel finishes, specify 14/32 or 15/32D to receive nickel finished trims and stainless exit devices

Copyright © 1998-2015, Sargent Manufacturing Company, an ASSA ABLOY Group company. All rights reserved. Reproduction in whole or in part without the express written permission of Sargent Manufacturing Company is prohibited. 906411J 09/10 1/15

Pull & Thumb Piece Trim Section

Trim Designations

- Use three letter designations (Ex "PTB") when ordering the Exit Device with trim
- Use the six digit designation (Ex "866-MAL") when ordering trim without an Exit Device, always specify finish

Series

SARGENT Function Numbers	ANSI Function Numbers	Description & Cylinder Info. (1-3/4" Door)	814-FSL*	814-FSW*	814-MSL*	814-PSB*	814-ST5	862 Pull	8800 Panic & Fire
04	03	Night Latch Key Retracts Latch #34 Cylinder Supplied	814-FSL*	814-FSW*	814-MSL*	814-PSB*	814-ST5	862 Pull	8804 x Trim Designation
10	02	No OJS Operation or Cylinder (Pull Only)	810-FLL	810-FLW	810-MAL	810-PTB	810-ST5	862 Pull	8810 x Trim Designation
28	15	Passage Only (No cylinder)	828-FLL	828-FLW	828-MAL	828-PTB	828-ST5	N/A	8828 x Trim Designation
63	05	Key Outside Unlocks/ Locks Trim #34 Cylinder Supplied	866-FLL	866-FLW	866-MAL	866-PTB	866-ST5	N/A	8863 x Trim Designation
66	07	Key Outside Retracts Latch; Key Inside Unlocks/Locks OJS Trim OJS #34 & IJS #44	866-FLL	866-FLW	866-MAL	866-PTB	866-ST5	N/A	8866 x Trim Designation

* FSL, FSW, MSL and PSB trims are used with (HC-8, 12-) 8888 and 8804 only and are the same as FLL, FLW, MAL and PTB pulls except for cylinder hole located 3/8" (9mm) lower.
Note: Thumb piece trims for 63 and 66 function devices are identical and are identified as 66 function when trim is ordered separately.
Note: FLW & FSW trims are not available in 32(629) or 32D(630)

Options	8800
Mechanical Options:	
12-	
16-	
19-	
31-	
36-	
37-	
43-	
53-	
54-	
55-	
56-	
56-4K-	
57-	
58-	
59-	
BC-59-	
76-	
85-	
86-	
87-	
AL-	
BT-	
CIC-	
GL-	
ID-	
PL-	
SG-	
TB-	
TL-	
Cylinder Options:	
10-	
10-21-	
10UL-	
10-93-	
11-	
11-21-	
11-64-	
11-63-	
11-64-	
11-70-7P-	
11-73-7P-	
11-73-7P-	
11-85-73-7P-	
21-	
22-	
51-	
52-	
60-	
63-	
64-	
70-	
72-	
73-	
65-73-	
65-73-7P-	
73-7P-	
81-	
82-	
FI-32-	
33-	
FI-33-	
84-	
86-	
8C-	
8C-	
8E-	

* Options are not available with 8816

Available Finishes

SARGENT Finishes	BHMA Finishes
03	605
04	606
09	611
10	612
10B	613
10BE	613E
10BL	614
14	618
15	619
20D	624
26	625
26D	626
32	629
32D	630

8 1-800-727-5477 • www.sargentlock.com

ASSA ABLOY, the global leader in door opening solutions



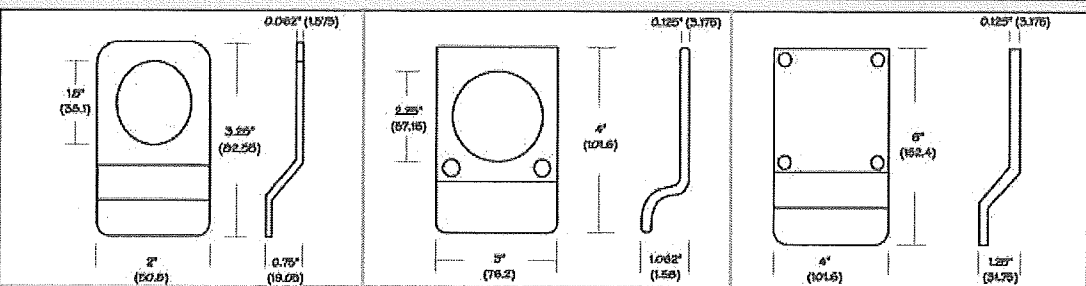
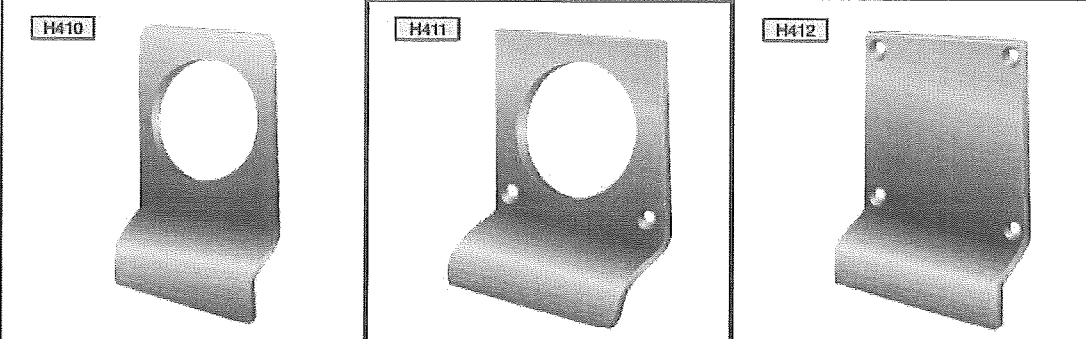
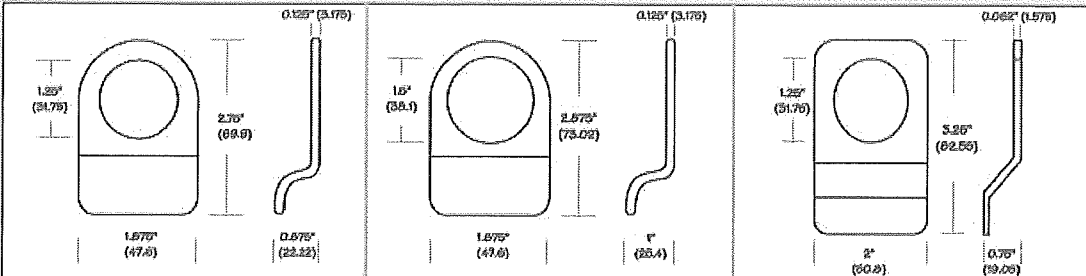
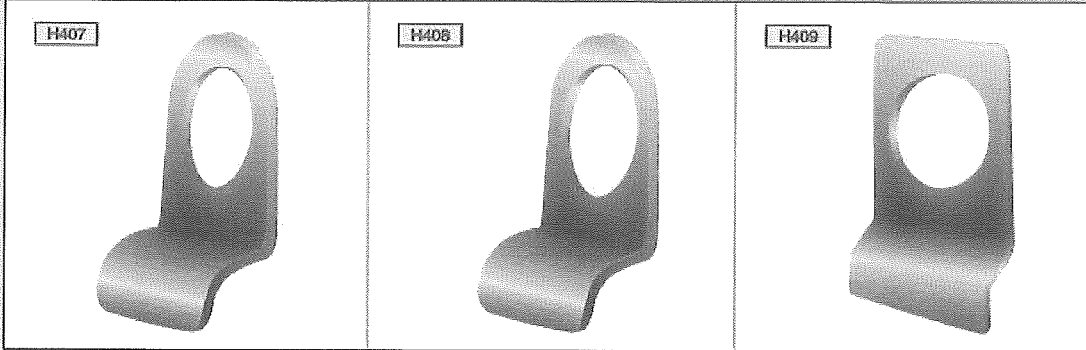
Merlin Door Systems
29 Cleopatra Drive
Nepean, ON, K2G 0B6

Carleton Place Arena
Carleton Place
Job No. 20-524



CYLINDER PULLS H SERIES

44



MATERIALS	FINISHES
H407 - H408 CAST BRASS, BRONZE H409 - H410 STEEL	ALL STANDARD
H411 - H412 SOLID BRASS, BRONZE, ALUMINUM, STAINLESS STEEL	



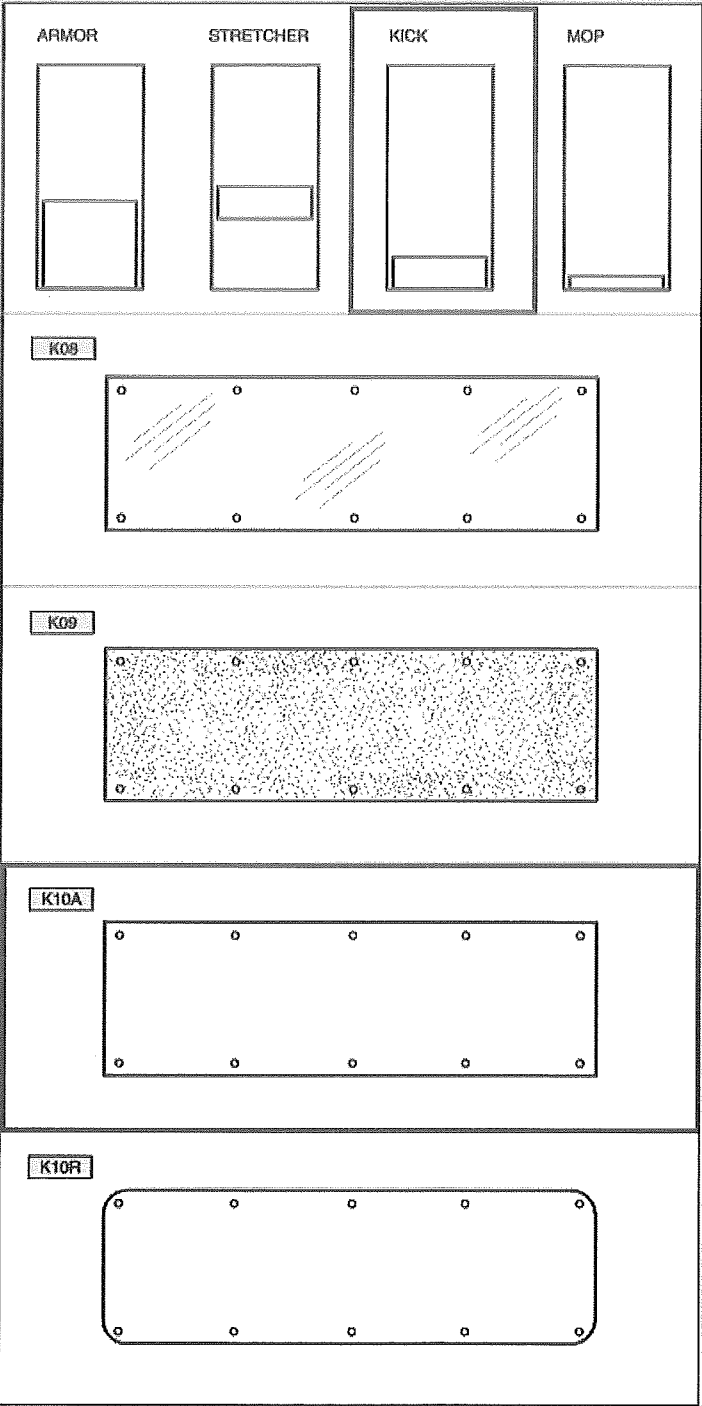
Merlin Door Systems
29 Cleopatra Drive
Nepean, ON, K2G 0B6

Carleton Place Arena
Carleton Place
Job No. 20-524



DOOR PLATES K SERIES

54



STANDARD FEATURES:

- * ALL ARCHITECTURAL FINISHES ARE AVAILABLE
- * PROTECTIVE PLASTIC COVER
- * COUNTERSUNK SCREW HOLES
- * #6 x 0.625" (16) UNDERCUT S.M.S.
- * #6 x 0.375" (9.5) MACHINE SCREWS ON REQUEST
- * AVAILABLE TAPE OR EPOXY MOUNTING
- * BRASS & BRONZE PLATES STOCKED UP TO 24" (609.6) HEIGHT
- * ALUMINUM, ACRYLIC, KYDEX & ST. STEEL PLATES, STOCKED UP TO 48" (1219.2) HEIGHT

CLEAR ACRYLIC PLATE OR PUSHPLATE

K08

- * 0.125" (3.2) THICKNESS
- * ALL EDGES BEVELLED

KYDEX (PVC & ACRYLIC, TEXTURED FINISH) PLATE OR PUSHPLATE

K09

- * 0.060" (1.52) OR 0.090" (2.28) THICKNESS
- * ALL EDGES BEVELLED
- * TAPE OR EPOXY MOUNTING (EPOXY RECOMMENDED)
- * STOCK COLOURS: BEIGE, BLACK, BLUE, GRAY & WHITE
- * OVER 30 COLOURS AVAILABLE

SOLID METAL PLATES: ALUMINUM, BRASS, BRONZE & STAINLESS STEEL

K10A

K10B

K10C

K10R

- * KICK PLATE WITH RADIUS CORNERS

ECONOMY DOORPLATES

- * AVAILABLE IN STAINLESS STEEL ONLY

K10-430

- * TYPE 430, LOW GRADE STAINLESS

K10-20

- * 20 GAUGE THICKNESS, 0.037" (0.94)

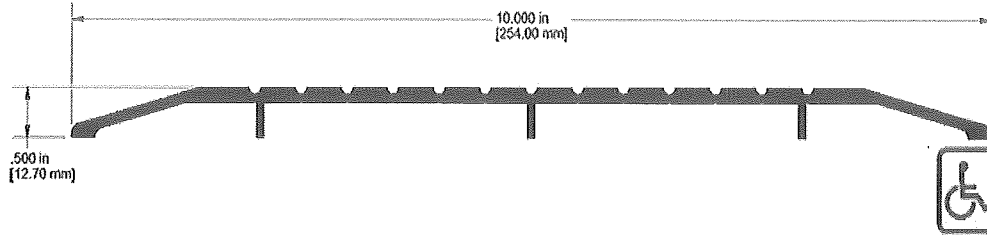


Merlin Door Systems
 29 Cleopatra Drive
 Nepean, ON, K2G 0B6

Carleton Place Arena
 Carleton Place
 Job No. 20-524

K. N Crowder

CT - 33

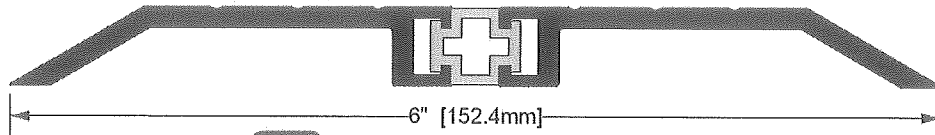


Merlin Door Systems
29 Cleopatra Drive
Nepean, ON, K2G 0B6

Carleton Place Arena
Carleton Place
Job No. 20-524

K.N Crowder

CT - 46A



EXTRUDED ALUMINUM
WITH RIGID P.V.C.



Merlin Door Systems
29 Cleopatra Drive
Nepean, ON, K2G 0B6

Carleton Place Arena
Carleton Place
Job No. 20-524