

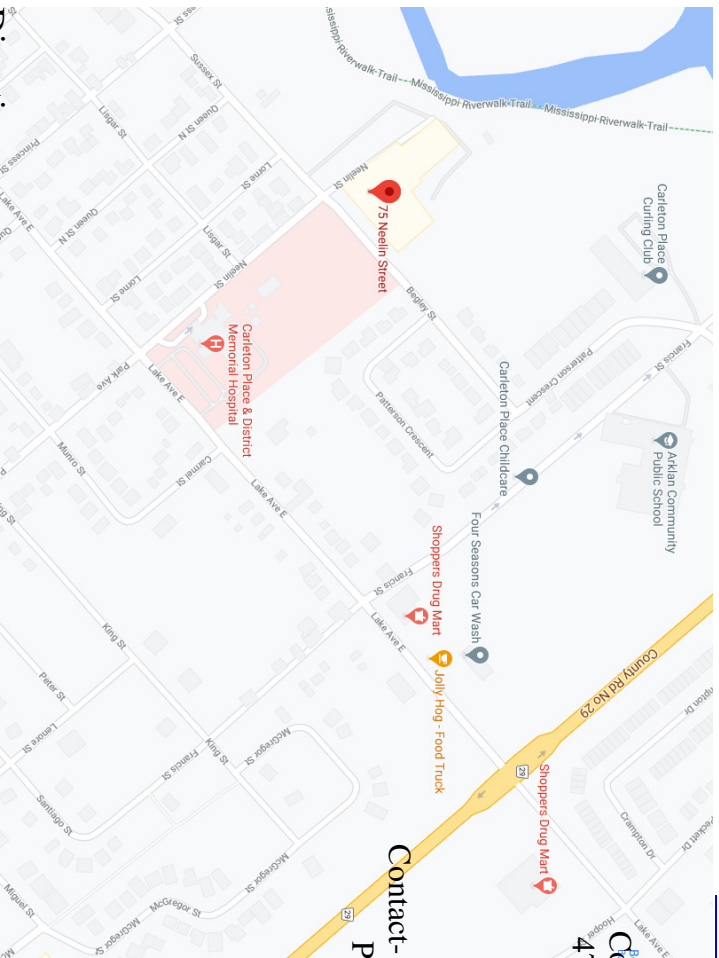
Millwork Shop Drawings

For

Carleton Place Arena

75 Neelin Street Carleton Place Ontario
Job # 592

Assembled by Ian Tyler
ian@perthcabinet.ca



Contractor- Talco
4728 Bank Street
Suite A
Ottawa Ontario
K1T 3W7

Contact- Annie Griffiths
P) 613-821-3959

Site Contact -
C)

- Directions:
- Take Highway 7 To Carleton Place
 - Turn Left Onto County Road 29 (McNeely Ave)
 - Turn Left On Lake Ave East
 - Turn Right Onto Neelin Street
 - Destination Is On The Right

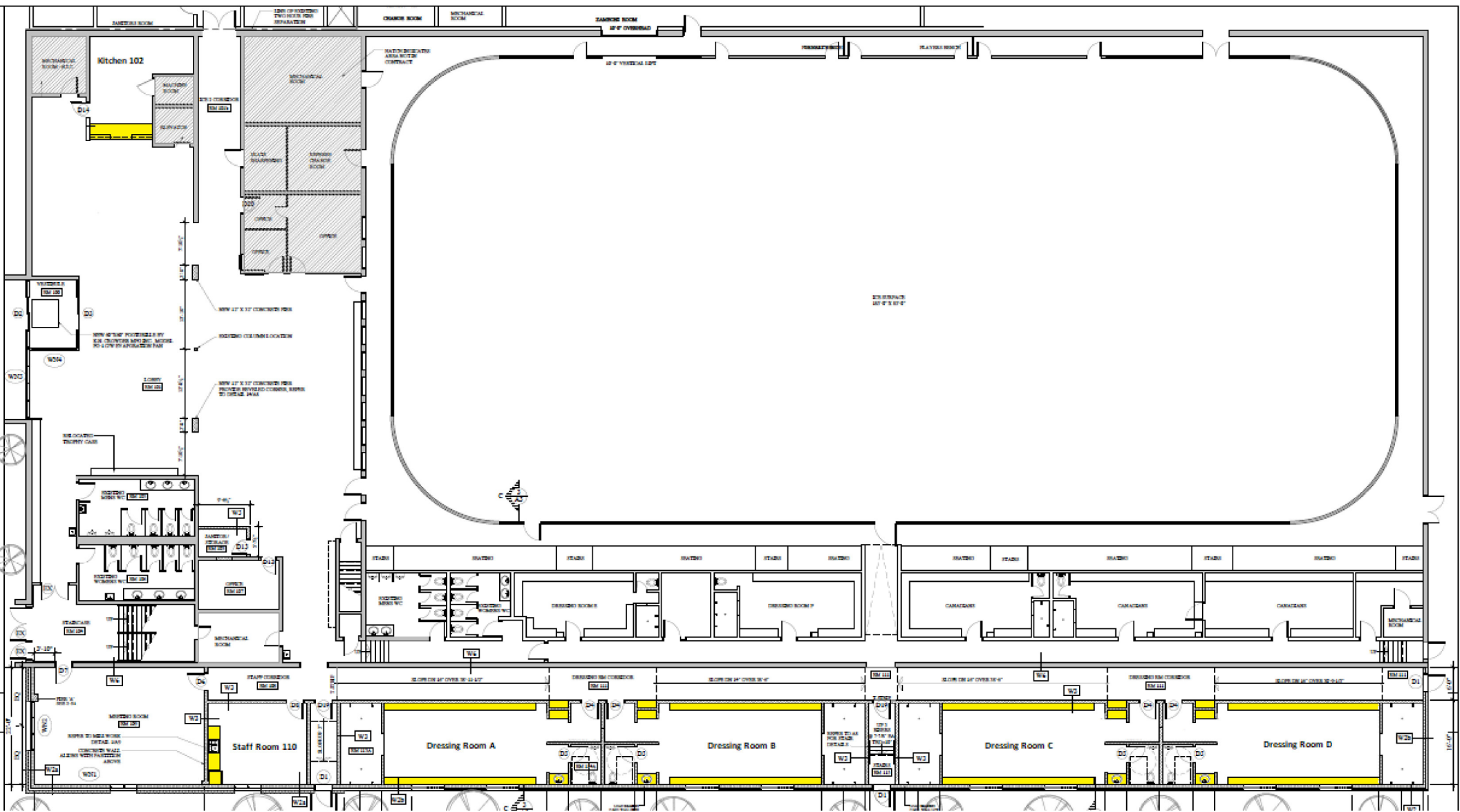
Please provide
Wilsonart Colour
samples for
client selection

P -613 -267 -6494
F -613 -264 -1135
ian@perthcabinet.ca

Larry Gaines • Architect
SHOP DRAWING REVIEW

- REVIEWED
- REVIEWED AS NOTED
- RESUBMIT

A handwritten signature in blue ink, appearing to read "L. GAINES".
SIGNATURE



Laminate Colour Chart

Job # 592

Job Name Carleton Place Arena

WD-1 Maple With Clear Finish	PL-1 Wilsonart Laminate	PL-2 Wilsonart Laminate
	<p>?</p>	<p>?</p>

All Cabinetry Is Manufactured Using CNC Technology / Blind Dadoed Glued & Mechanical Fasteners

INTERIOR CABINETS - 3/4" MDF With White P-Lam C/W Matching .5mm PVC Edge

EXPOSED CABINETS - 3/4" MDF With PL-3 Laminate C/W Matching .5mm PVC Edge

CABINET DOORS - 3/4" MDF With PL-3 Laminate C/W Matching .5mm PVC Edge

COUNTERTOPS - Postformed Futuriste Profile & Back Splash 3/4" MDF Substraight

TOE KICKS - Rubber Base Boards By Others

PULLS - 4" Stainless Steel Standard D Pulls

HINGES - Blum 170* Hinges With Horizontal Plates

DRAWER SLIDES - Accuride 3832 Full Extension Ball Bearing Slides

SHELF SUPPORTS - Recessed KV Pilasters And Clips

HOOKS - Richelieu Heavy Duty Hook 3 1/2" Black Finish #235FBV

BENCHES - 1 1/2" x 3 3/4" Solid Maple With Clear Finish

Notice: Rectangles In Section Views Represent Hinges & Hinge Quantities



Drawing Description

PO# 592	Project: Carleton Place Arena
Drafted By: Ian Tyler	Sheet 1 of 17
Date: 09/08/20	



Accuride 3832 Drawer Slides



Blum 170* Hinges



4" Stainless Standard D Pull



Catalogue Cuts I

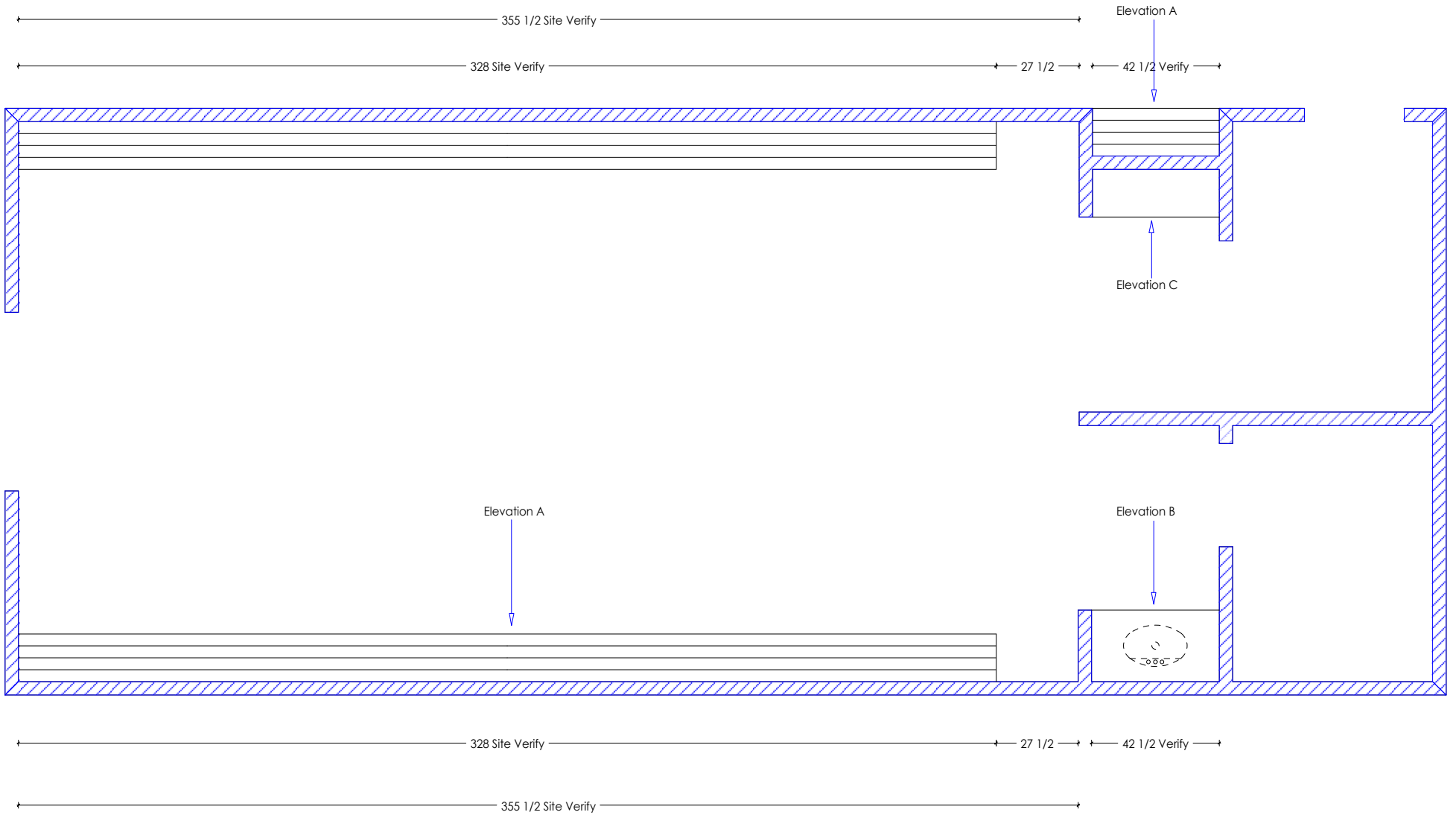
PO# 592	Project: Carleton Place Arena
Drafted By: Ian Tyler	Sheet 2 of 17
Date: 09/08/20	




Recessed KV Pilasters & Clips

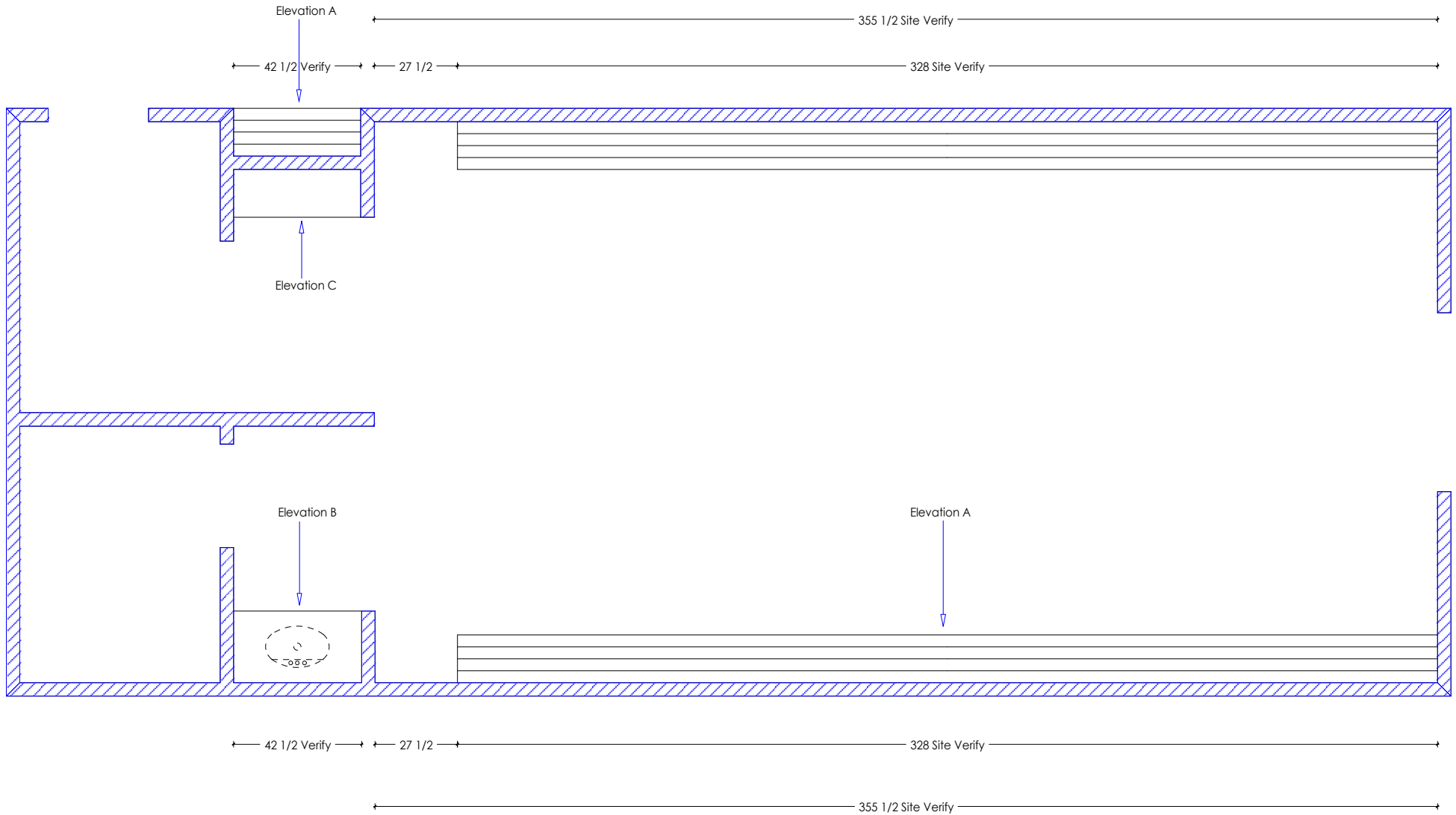


Richelieu Hooks #235FBV



Dressing Room 112A / Dressing Room 112C

 Perth Cabinet Company	
Dressing Room Plan Entry Door Left	
PO# 592	Project: Carleton Place Arena
Drafted By: Ian Tyler	Sheet 4 of 17
Date: 09/08/20	

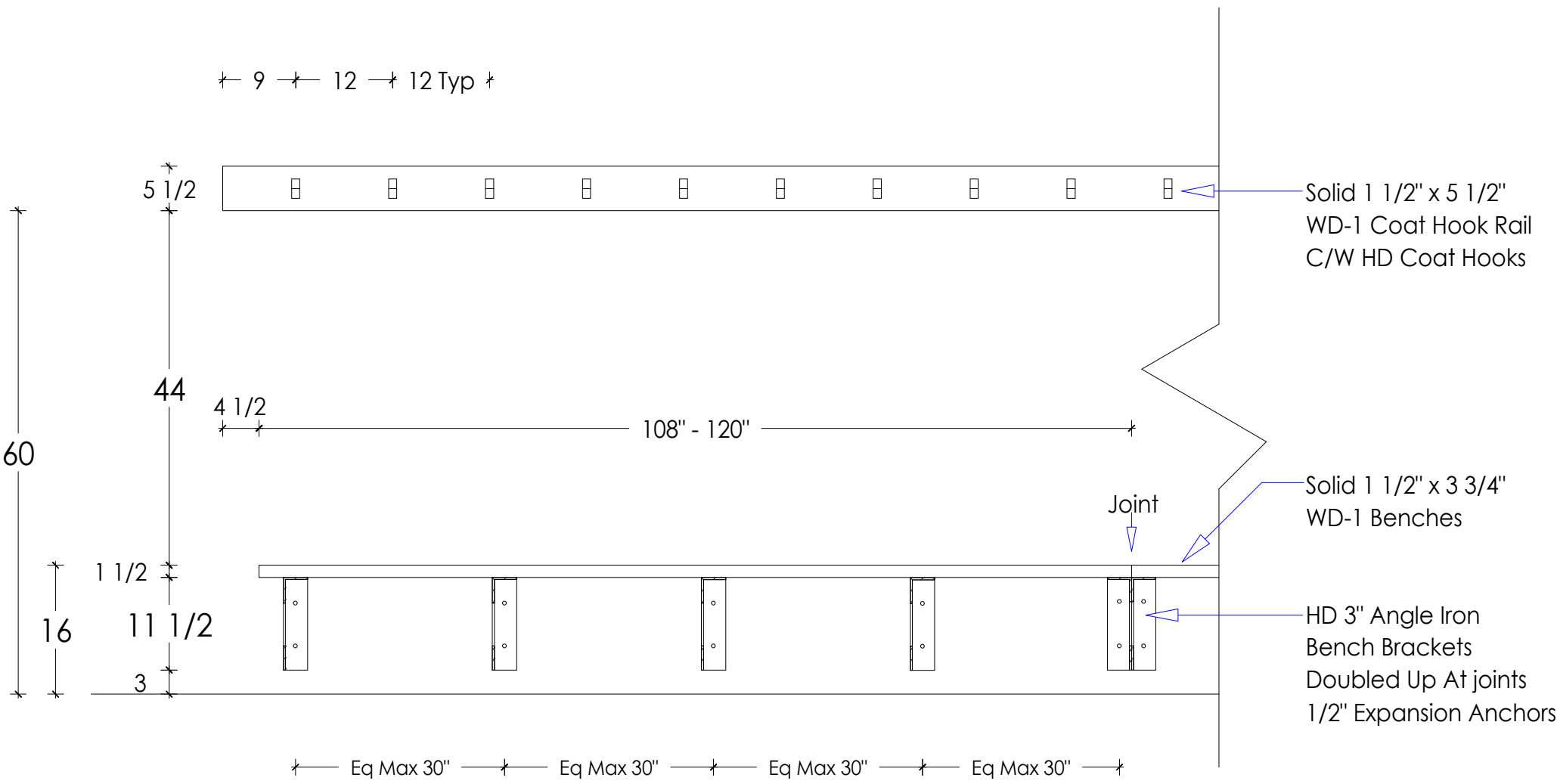


Dressing Room 112B / Dressing Room 112D



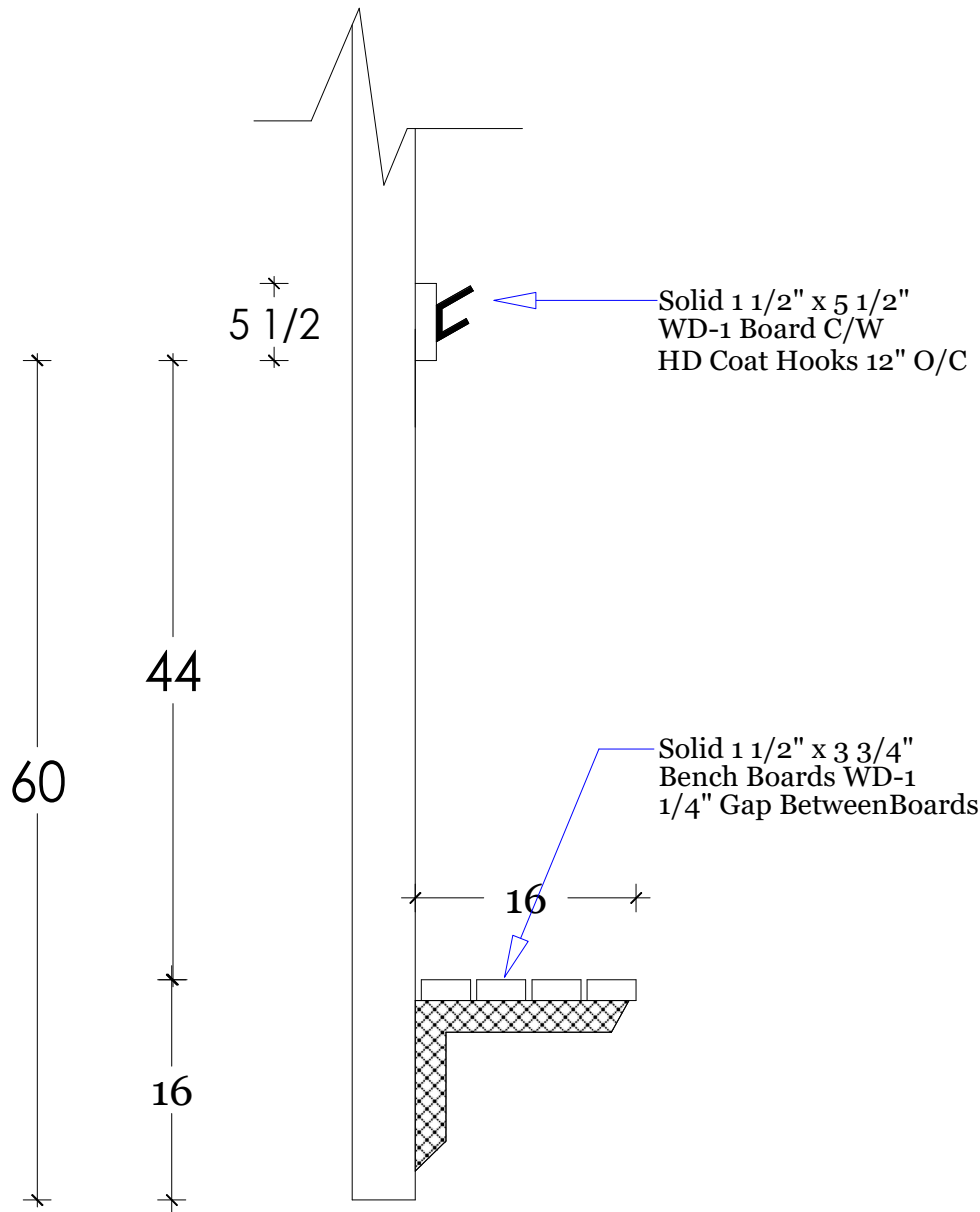
Dressing Room Plan Entry Door Right

PO# 592	Project: Carleton Place Arena
Drafted By: Ian Tyler	Sheet 5 of 17
Date: 09/08/20	




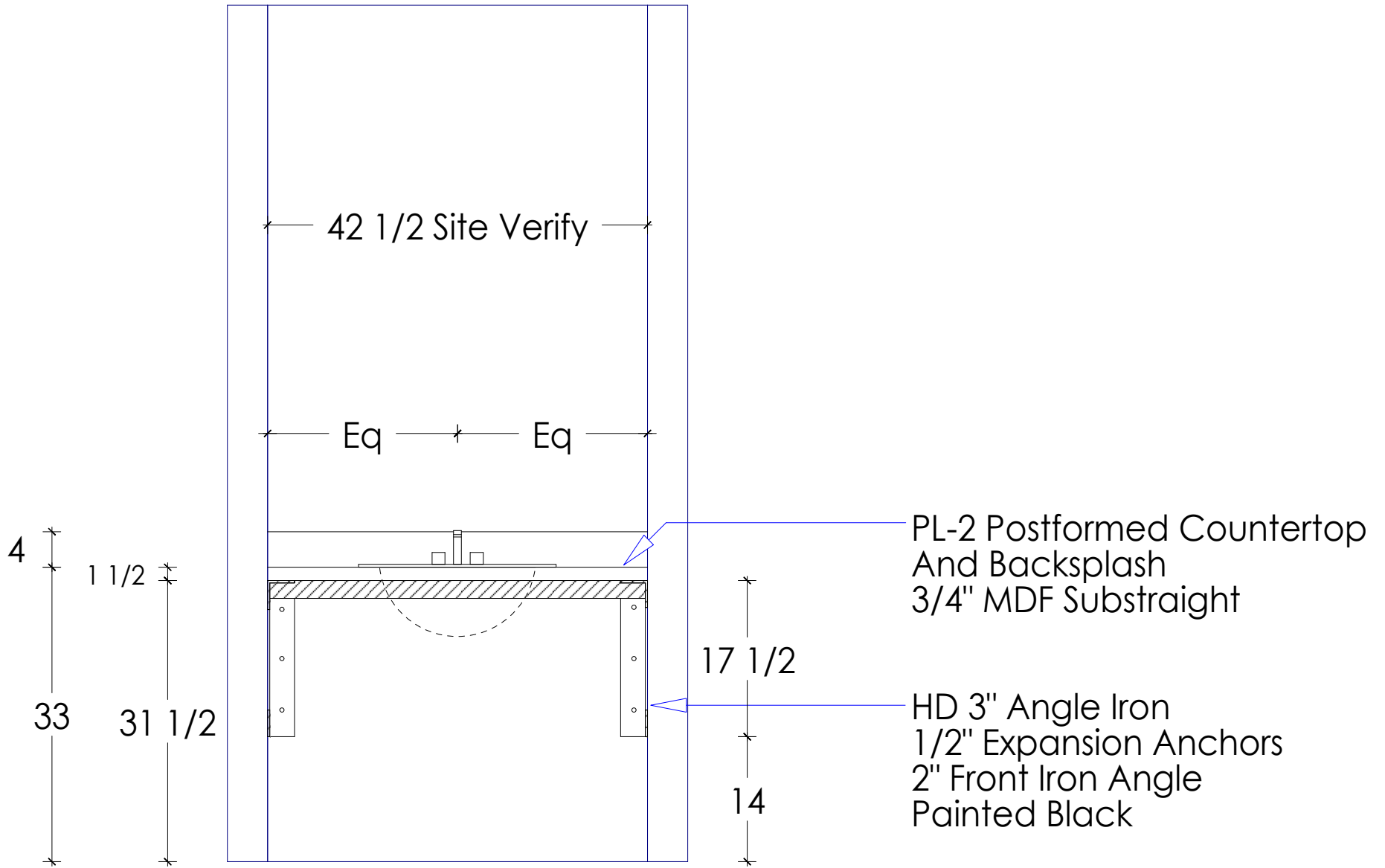
Typical Elevation A Benches

PO# 592	Project: Carleton Place Arena
Drafted By: Ian Tyler	Sheet 6 of 17
Date: 09/08/20	



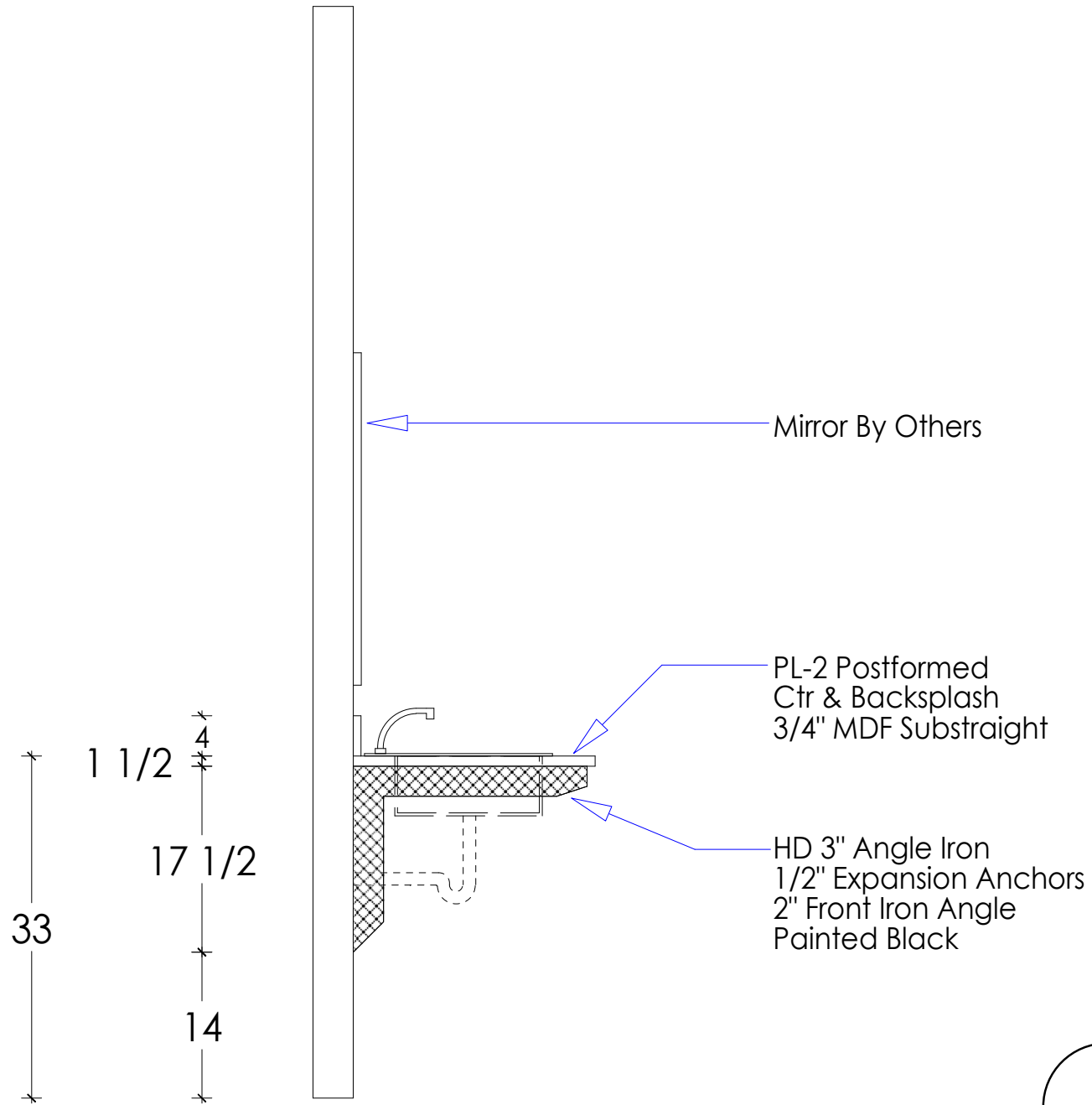
Cross Section A

 Perth Cabinet Company	
Cross Section A	
PO# 592	Project: Carleton Place Arena
Drafted By: Ian Tyler	
Date: 09/08/20	Sheet 7 of 17




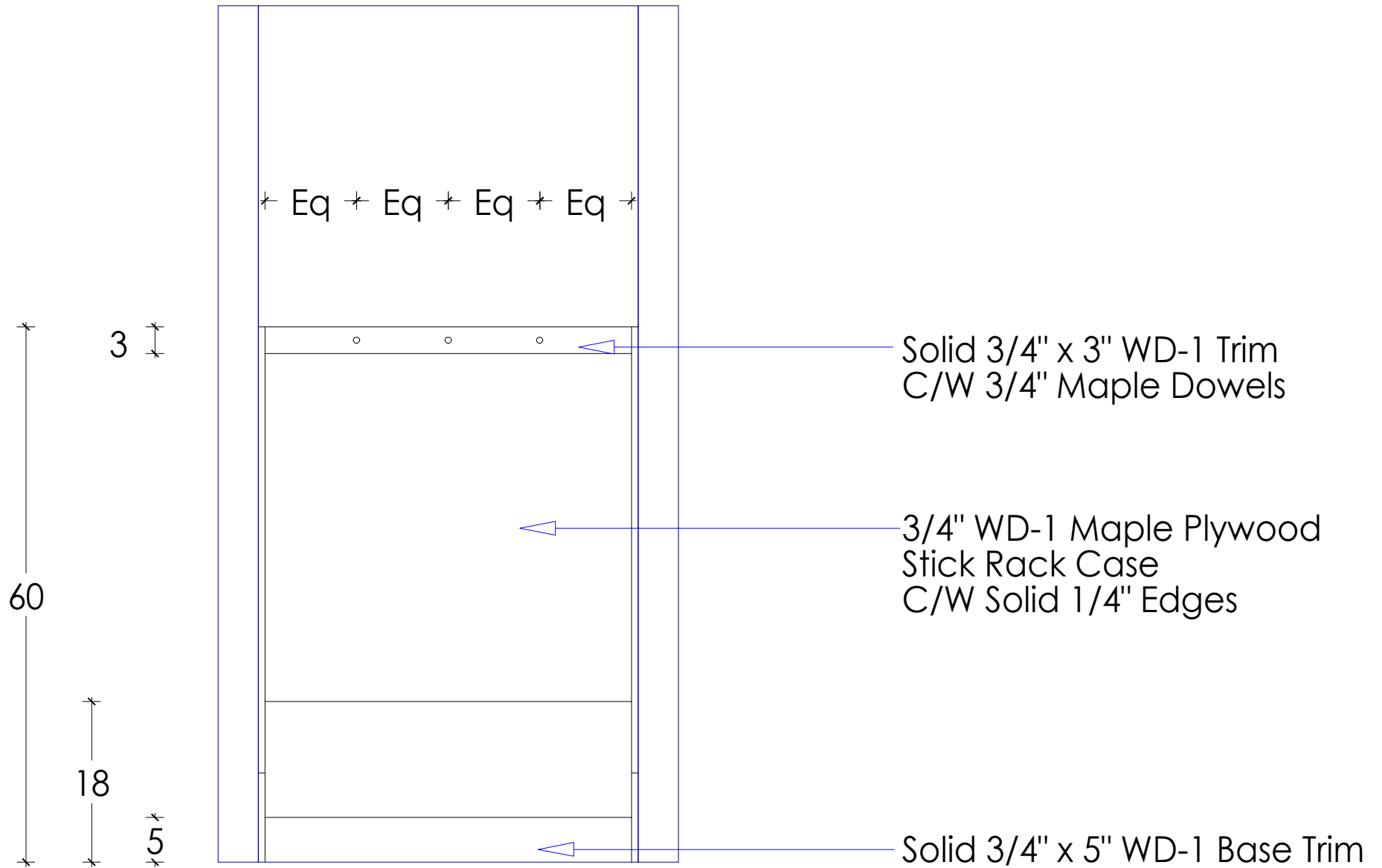
Vanity Elevation B

PO# 592	Project: Carleton Place Arena
Drafted By: Ian Tyler	Sheet 8 of 17
Date: 09/08/20	



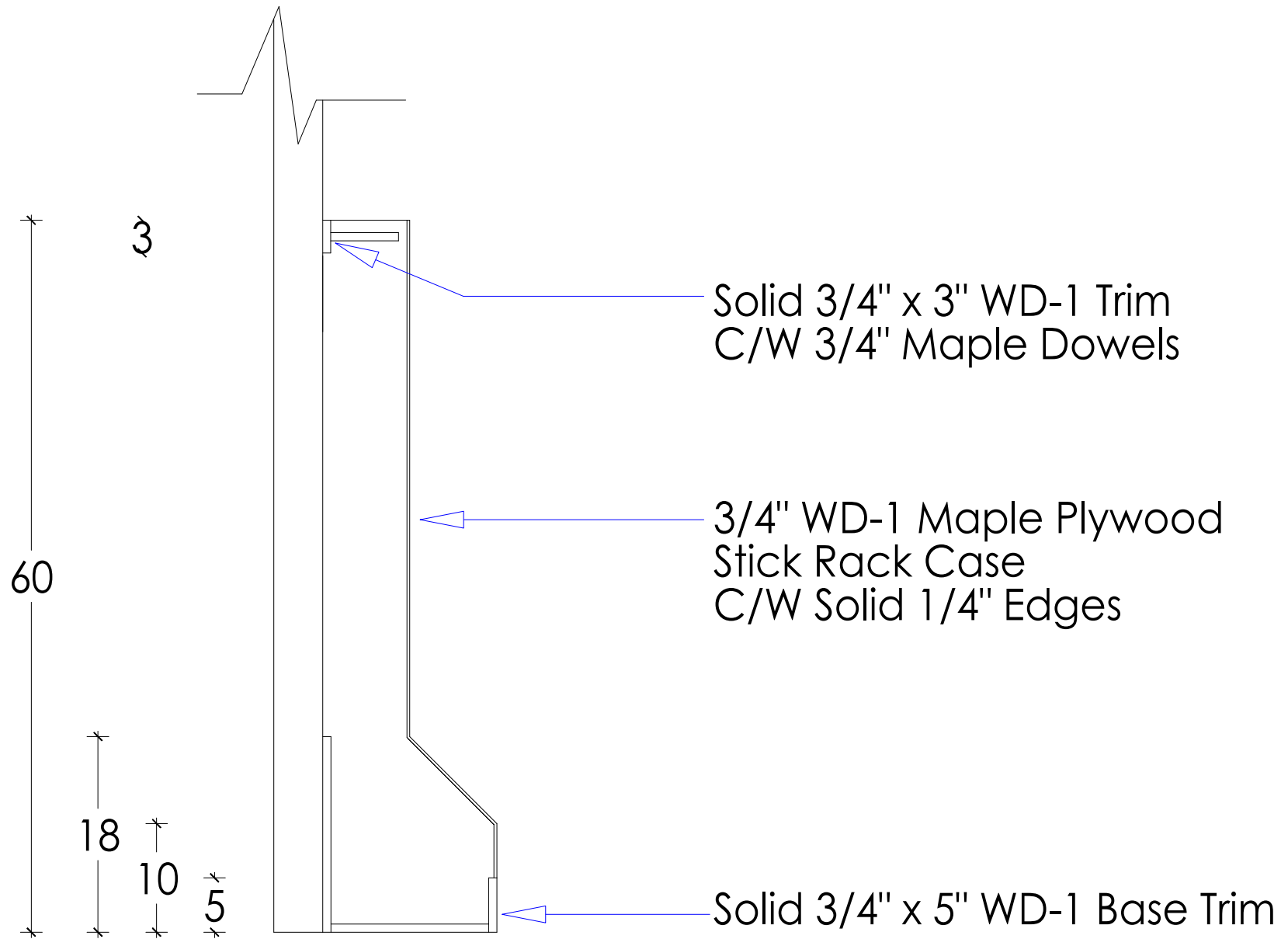
Cross Section B

 Perth Cabinet Company	
Cross Section B	
PO# 592	Project: Carleton Place Arena
Drafted By: Ian Tyler	Sheet 9 of 17
Date: 09/08/20	




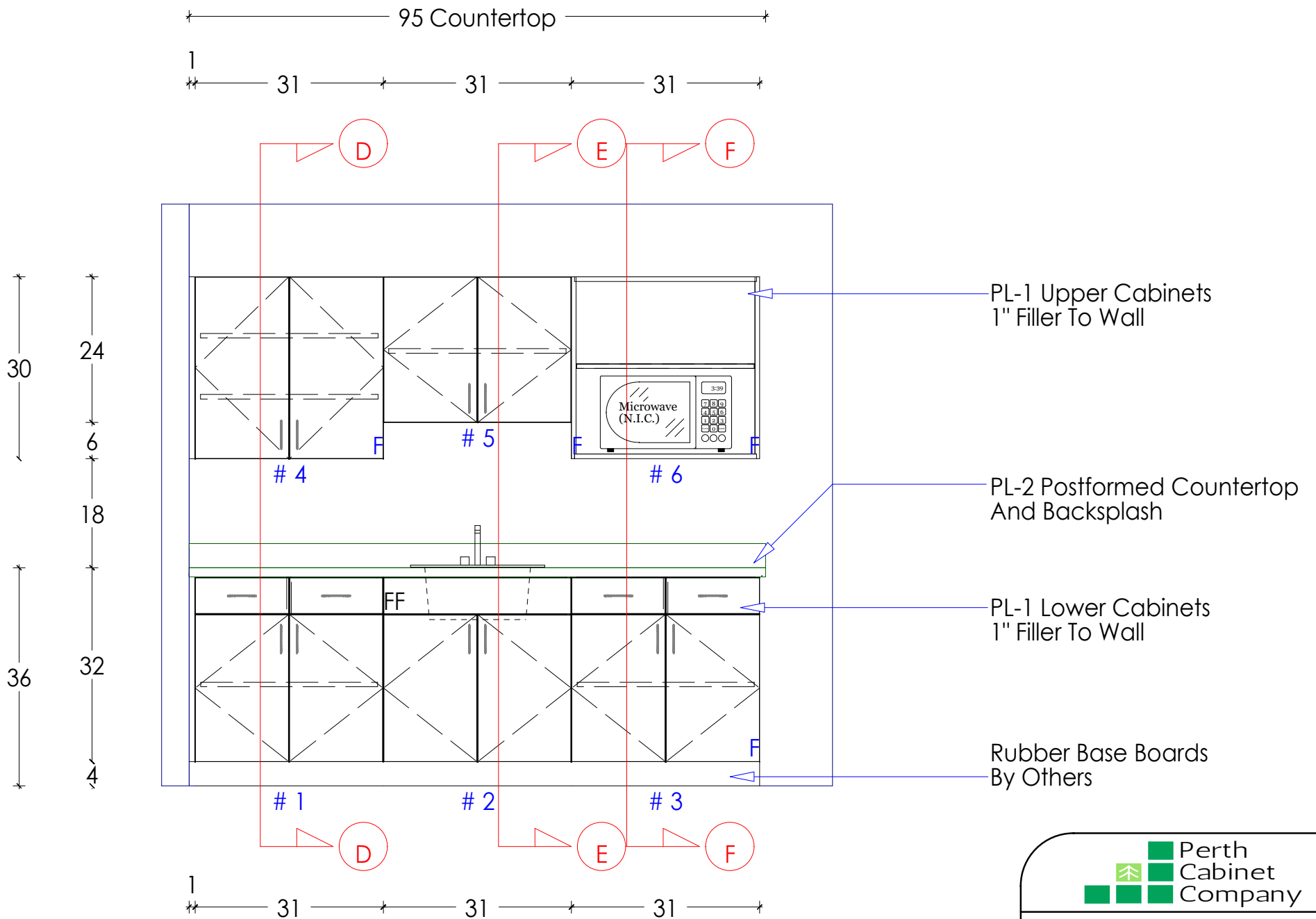
Elevation C Stick Rack

PO# 592	Project: Carleton Place Arena
Drafted By: Ian Tyler	Sheet 10 of 17
Date: 09/08/20	



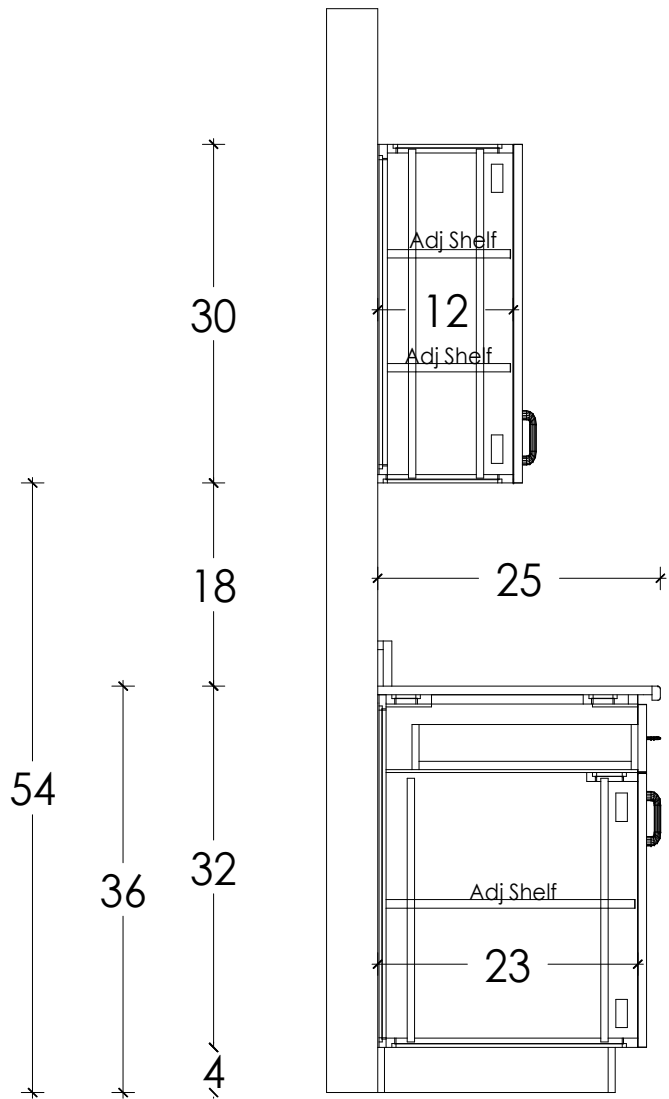
Cross Section C

 Perth Cabinet Company	
Cross Section C	
PO# 592	Project: Carleton Place Arena
Drafted By: Ian Tyler	
Date: 09/08/20	Sheet 11 of 17

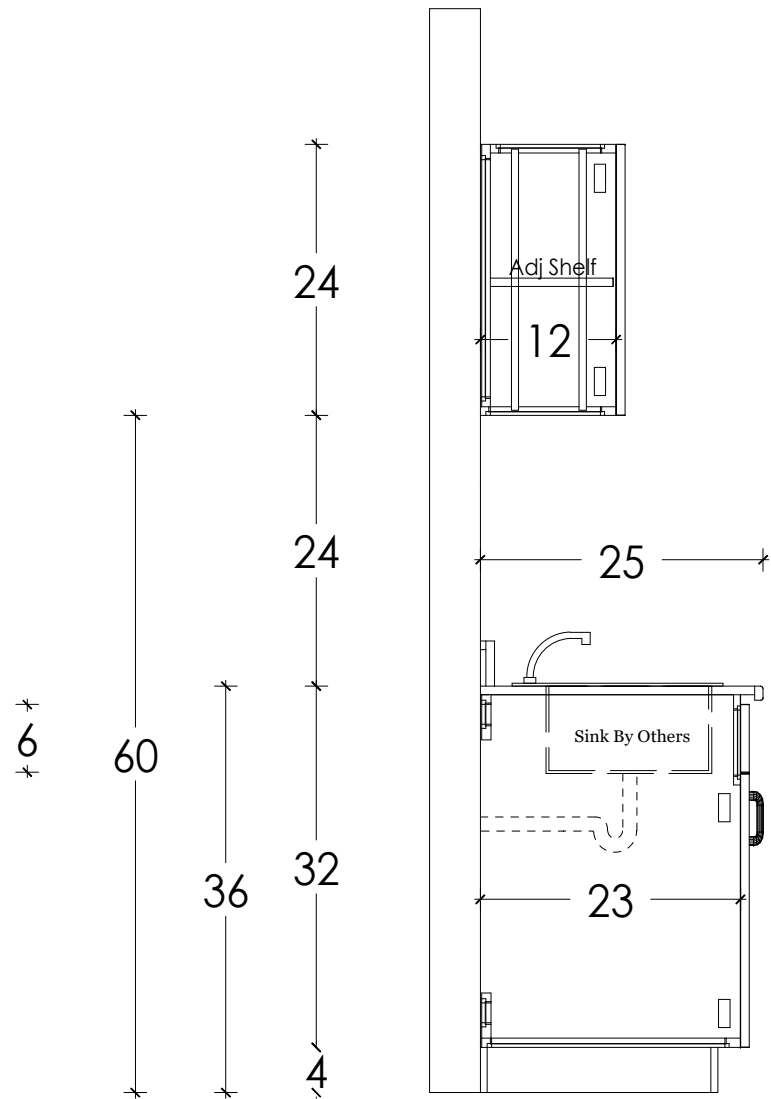


Staff Kitchen Elevation


PO# 592	Project: Carleton Place Arena
Drafted By: Ian Tyler	Sheet 12 of 17
Date: 09/08/20	



21 2
 (D)

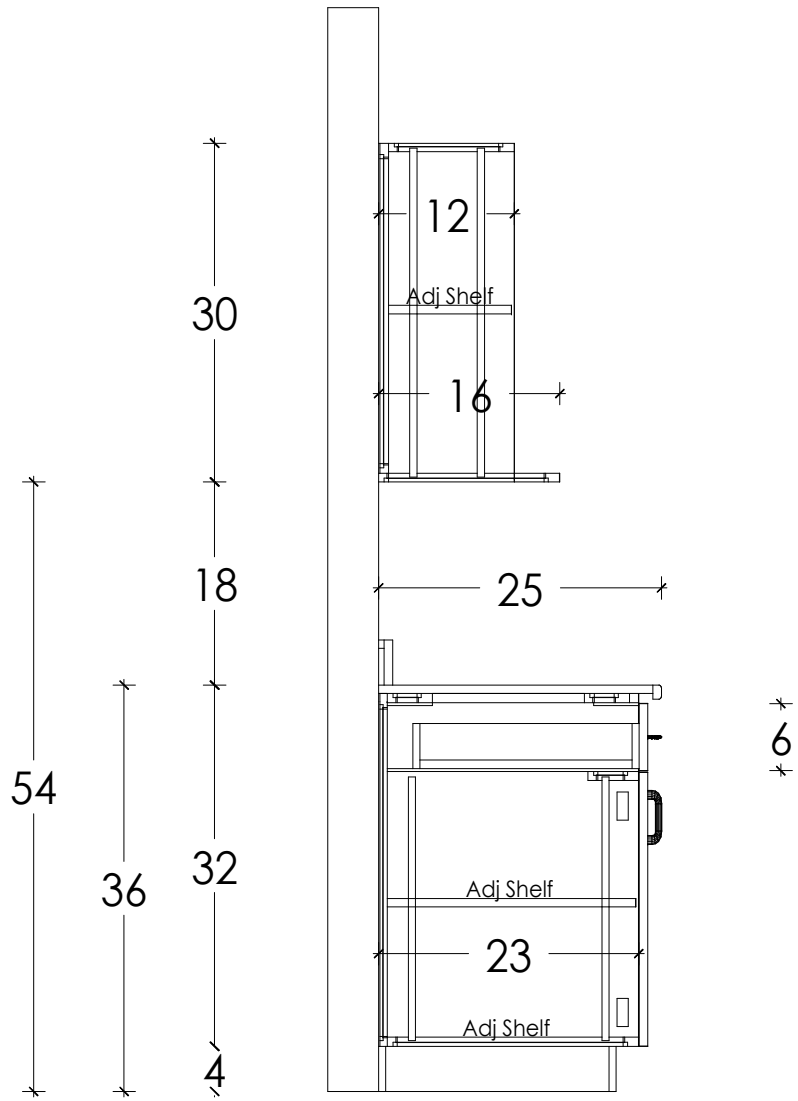


21 2
 (E)

 Perth Cabinet Company


Cross Sections D & E

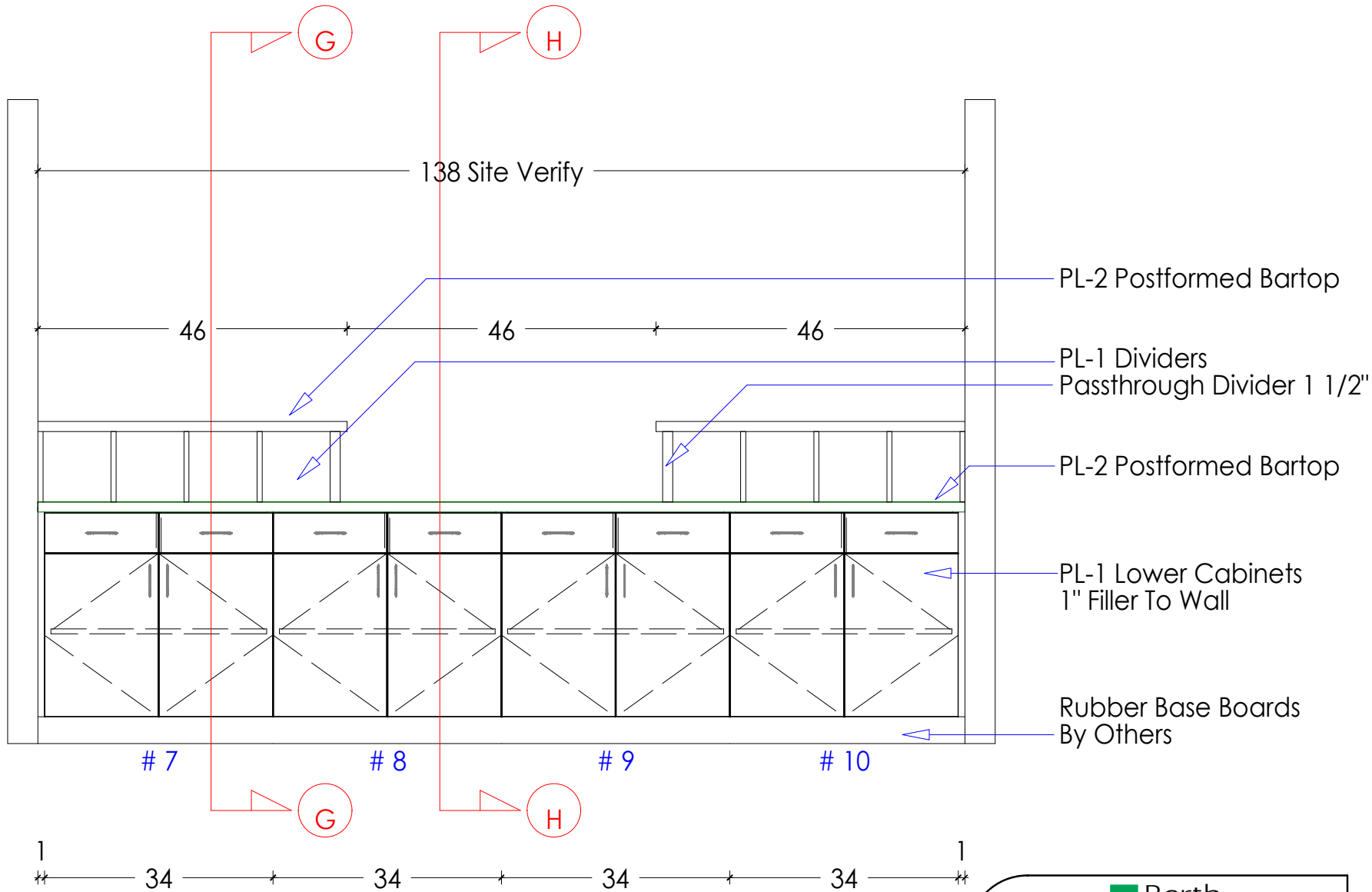
PO# 592	Project: Carleton Place Arena
Drafted By: Ian Tyler	
Date: 09/08/20	Sheet 13 of 17



21 2

F

 Perth Cabinet Company	
Cross Section F	
PO# 592	Project: Carleton Place Arena
Drafted By: Ian Tyler	
Date: 09/08/20	Sheet 14 of 17



42
36
32
4

PL-2 Postformed Bartop
PL-1 Dividers
Passthrough Divider 1 1/2"
PL-2 Postformed Bartop
PL-1 Lower Cabinets
1" Filler To Wall
Rubber Base Boards
By Others

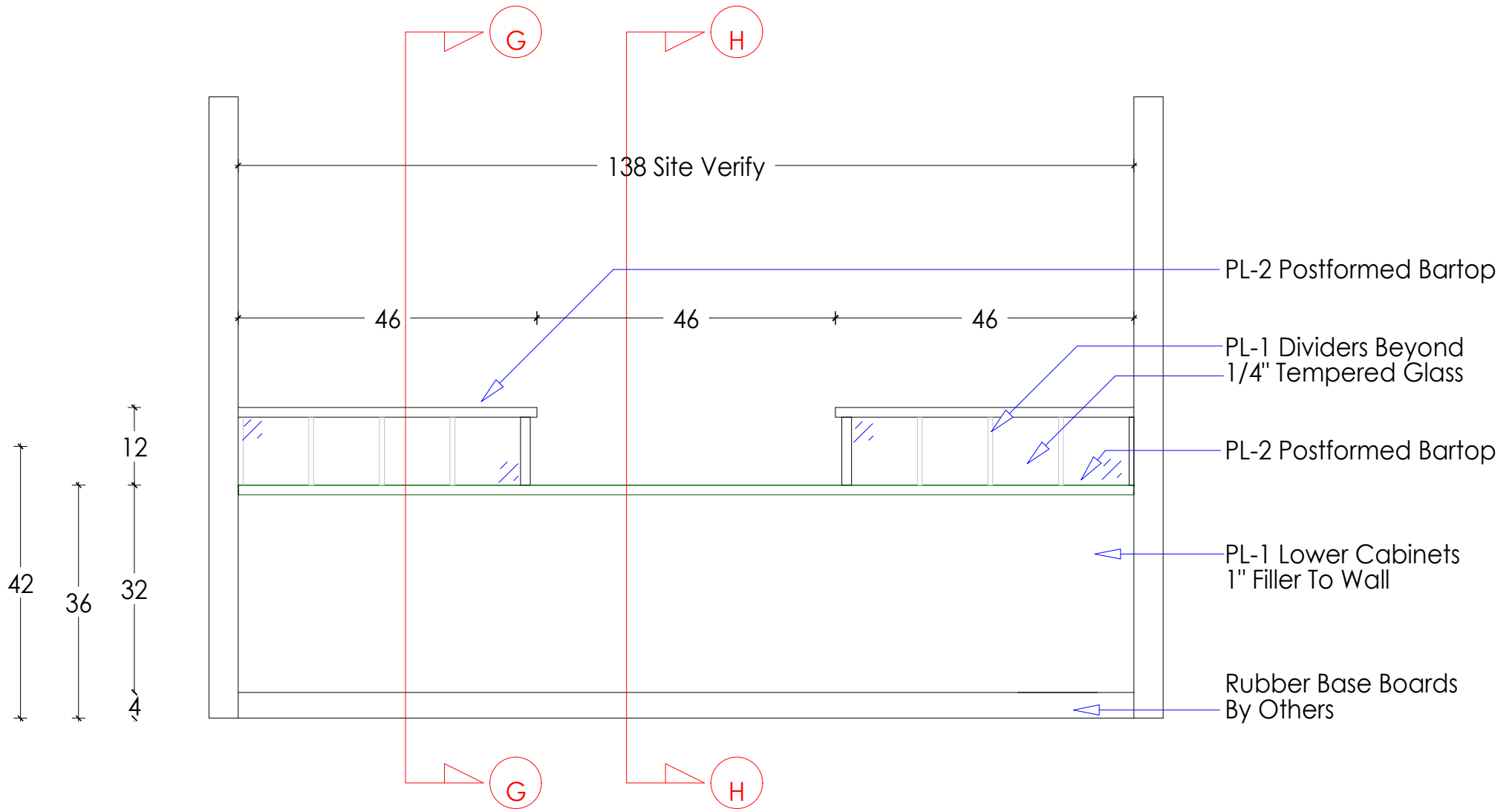
7 # 8 # 9 # 10

1 34 34 34 34 1



Canteen Workers Side Elevation

PO# 592	Project: Carleton Place Arena
Drafted By: Ian Tyler	Sheet 15 of 17
Date: 09/08/20	



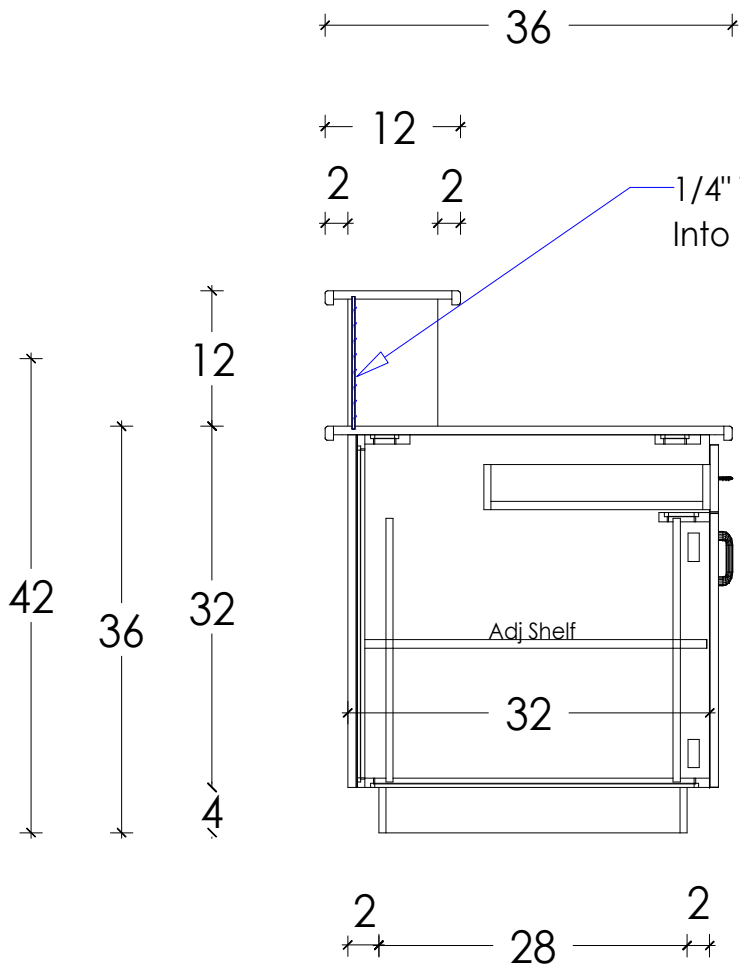
Canteen Customers Side Elevation

PO# 592 | Project: Carleton Place Arena

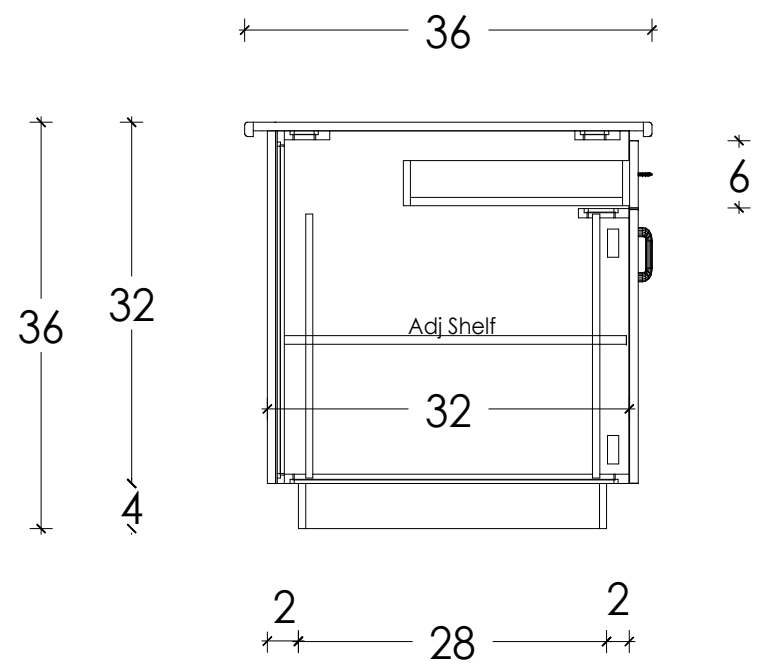
Drafted By: Ian Tyler

Date: 09/08/20


Sheet 16 of 17



G



H

 Perth Cabinet Company	
Cross Sections G & H	
PO# 592	Project: Carleton Place Arena
Drafted By: Ian Tyler	
Date: 09/08/20	Sheet 17 of 17