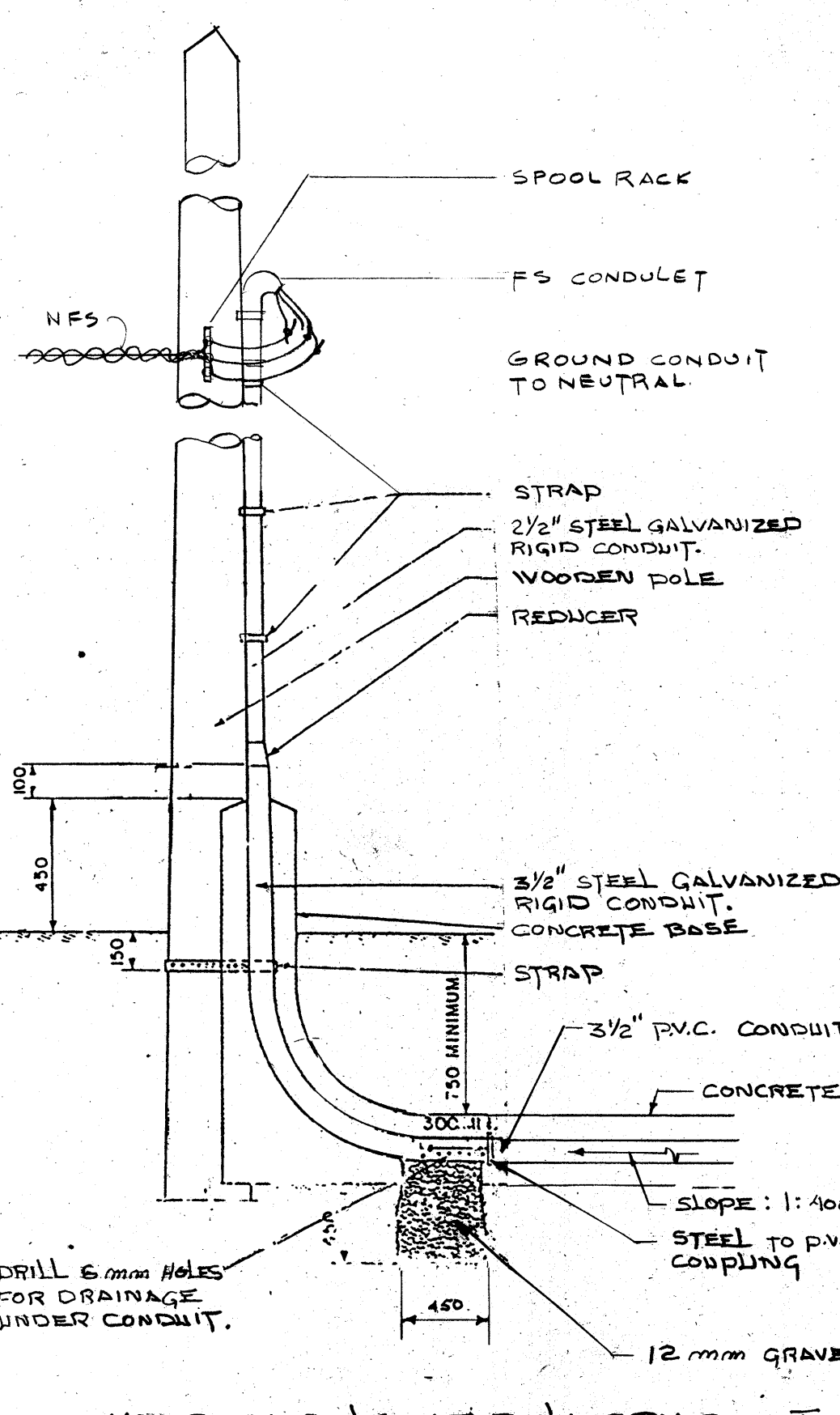


- LEGEND**
- 1 Tube fluorescent lighting fixture.
 - 2 Tubes fluorescent lighting fixture.
 - 4 Tubes fluorescent lighting fixture.
 - Wall mounted fluorescent lighting fixture.
 - ceiling mounted incandescent lighting fixture.
 - Wall mounted incandescent lighting fixture.
 - ceiling mounted metal halide lighting fixture.
 - Fusible disconnect switch 250 V., 30 A., fused at 15 A.
 - Fusible disconnect switch 600 V., 60 A. fused at 50 A.
 - 120/208 V., 30, 4 W., lighting panel.
 - 347/600 V., 30, 4 W., power panel.
 - Wall mounted telephone outlet RUN 3/4" C FROM OUTLET TO TERMINAL UNLESS OTHERWISE NOTED.
 - Heat detector
 - Fire alarm manual station SEE SPEC.
 - Fire alarm bell
 - Fire alarm panel
 - Combustion products detector installed on ventilation duct.
 - Emergency lighting battery complete with two reflectors. ENERGILITE 68L7/2 C/W 2 HEADS 9W-6V QUARTZ
 - Duplex receptacle 120 V., 15 A.
 - Duplex receptacle 120 V., 15 A. installed 6" above counter.
 - Special receptacle.
 - Razor outlet. GFI RECEPTACLE
 - Clock outlet 18" below ceiling.
 - 1/4 HP single phase motor.
 - 3 HP three phase motor.
 - Wall mounted exit lighting fixture 515/241A XT SERIES C/W 3/4 SOCKET # 2-20W T8/8 # 1-6W S6
 - Manual dimmer for incandescent lamps. 1000W SPEC GRADE LUTRON N-1000
 - Switch. SPEC GRADE
 - Tree way switch. SPEC GRADE
 - Photos cell.
 - Weather proof.
 - Junction box.
 - Base board heater.
 - Base board heater with thermostat.
 - Force flow heater with thermostat.



WOODEN POLE AT DELIVERY POINT
NOT TO SCALE

THIS ARRANGEMENT IS FOR THE TEMPORARY SERVICE ONLY.

SITE PLAN
SCALE 1:300

NOTE:
- ALL DIGGING, CONCRETE STONE DUST BACKFILLING ETC IS BY THE GENERAL CONTRACTOR.
- ALL CONCRETE BASES FOR OUTDOOR FIXTURES ARE BY THE GENERAL CONTRACTOR.
- WIRING TO BE AT MIN 1050 BELOW GRADE. IN STONE DUST AND SCEPTER CONDUIT WELL PROTECTED.

CITY OF OTTAWA BUILDINGS BRANCH
SEP 19 1985
CHIEF MECHANICAL

REV.	DATE	DESCRIPTION
04-06-85		FOR COORDINATION

ingénieurs conseils maurice murphy et associés
293, boul. maple grove
maple grove, que.
tel.: 429-5868

HOLDER OF NORTH AMERICA

PROJET DISTRIBUTION CENTRE OTTAWA CANADA	
TITRE ELECTRICAL DISTRIBUTION SITEPLAN	
PROJET NO. 8466	APP. PAR M.M.
ECHELLE 1:300	DATE 1 NOV. 85
DESSIN NO. E-1	REV. 0

Association of Professional Engineers of Ontario
Temporary Licensee

Name: M. C. MURPHY No. 01
Expiry Date: 31 May 1985
17/4/85
Limitations: Ottawa -
Holder of North America -
Electrical & Mechanical Services

MICROFILMED