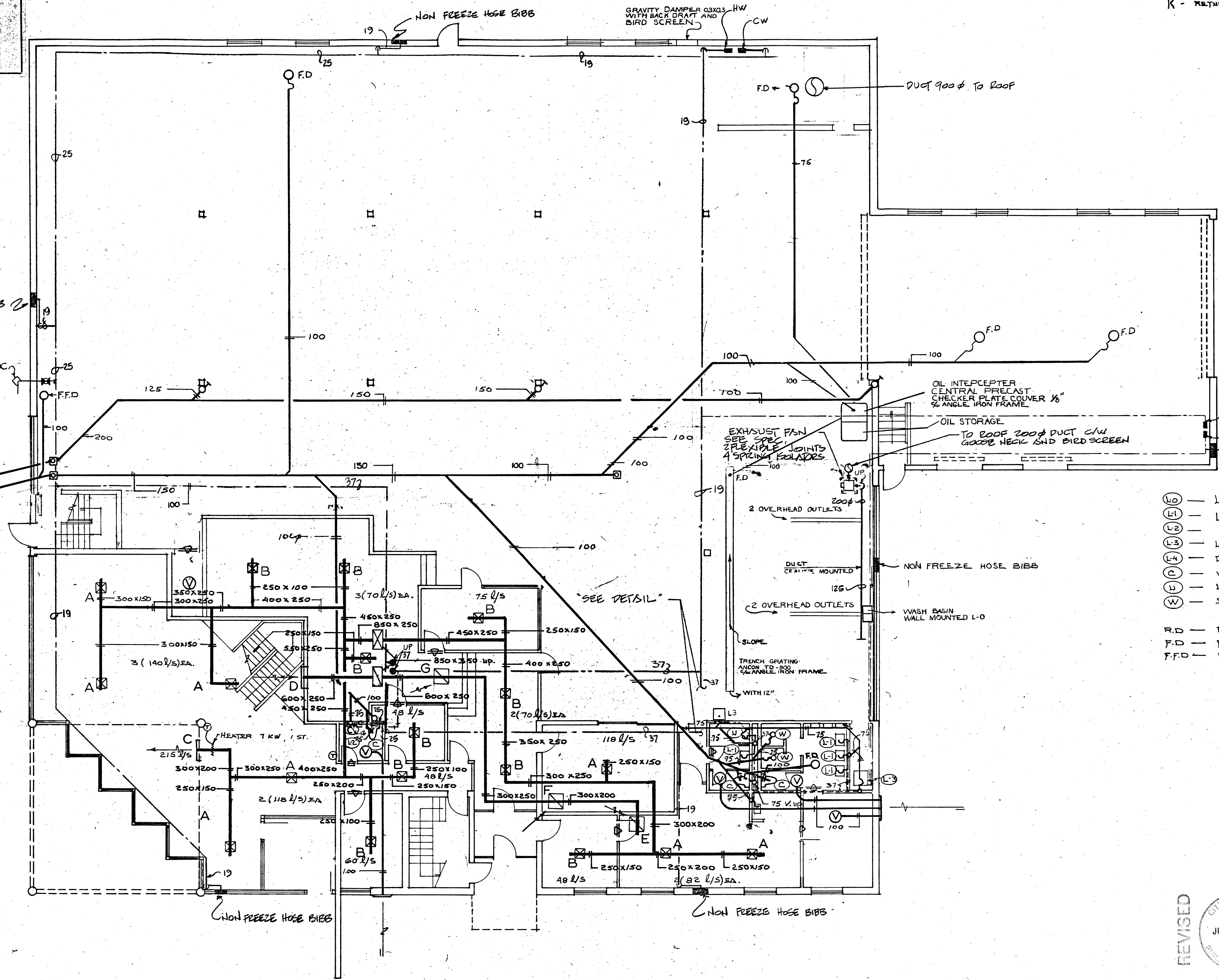
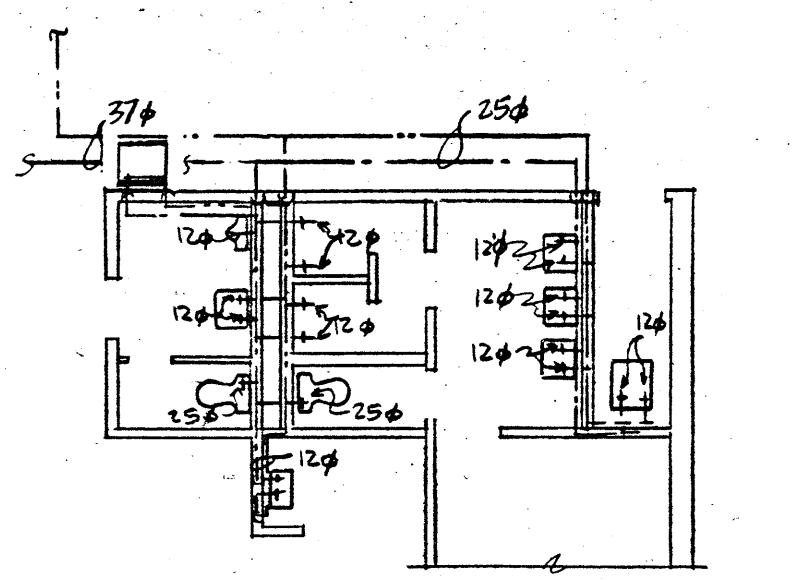


NOT TO SCALE

- ⊙ - CEILING EXHAUSTERS "ACME" MODEL-V0 1/125 HP.
- A - SQ. DIFF. "LISI" 9"x9" - 50FR-4-09
- B - SQ. DIFF. "LISI" 6"x6" - 50FR-4-09
- C - SUPPLY AIR GR. "LISI" 18"x12" - 20-45V-0
- D - RETURN AIR GR. "LISI" 30"x24" - 20-45
- E - RETURN AIR GR. "LISI" 18"x12" - 20-45 HO
- F - RETURN AIR GR. "LISI" 12"x8" - 20-45 HO
- G - RETURN AIR GR. "LISI" 24"x18" - 20-45 HO
- H - DOOR GR. "LISI" 12"x8" - 28 FGF
- I - SQ. DIFF. "LISI" 12"x12" - 50FR-4-09
- J - RETURN AIR GR. "LISI" 12"x12" - 20-45 HO
- K - RETURN AIR GR. "LISI" 30"x24" - 20-45 HO



- ⊙ - LAUNDRY TUB CRANE G-235
 - ⊙ - LAVATORIE CRANE, 1-114.
 - ⊙ - " " " " 1-20.
 - ⊙ - LAUNDRY TUB CRANE, 7-563.
 - ⊙ - BAR SINK CRANE, 5-320.
 - ⊙ - WATER CLOSET CRANE, 3-254.
 - ⊙ - URINOIR CRANE, 7-120 FV.
 - ⊙ - SHOWER FITTING, C-2253. 3/4" BRASS STALL C-4005.
- R.D. - ROOF DRAIN ANCON .RD-100-BE.
 F.D. - FLOOR DRAIN ANCON FD-200.
 F.F.D. - FUNNEL FLOOR DRAIN ANCON FD-200 EF.



DETAILS OF WATER LINES
SCALE 1:100

GROUND FLOOR

CITY OF OTTAWA
BUILDINGS BRANCH
SEP 19 1985
CHECKED MECHANICAL
BY

REV.	DATE	DESCRIPTION
		ingénieurs conseils maurice murphy et associés 293, boul. maple grove maple grove, que. tel.: 429-5868
		HOLDER OF NORTH AMERICA
PROJECT	DISTRIBUTION CENTRE OTTAWA - CANADA	
TITRE	PLUMBING & AIR COND. GROUND FLOOR	
PROJECT NO.	8466	APP. PAR M.M.
ECHELLE	1/200	DATE JANV. 85
DESSIN NO.	M-2	REV. 0

Association of Professional Engineers of Ontario
Temporary Licensee

REVISED
CITY OF OTTAWA RECEIVED JUL 16 1985 BUILDINGS BRANCH
REVISED

Name: M. C. MURPHY No. 01
 Expiry Date: May 31 1985
 714185
 Limitations: Ottawa - Holder of North America - Electrical & Mechanical Services