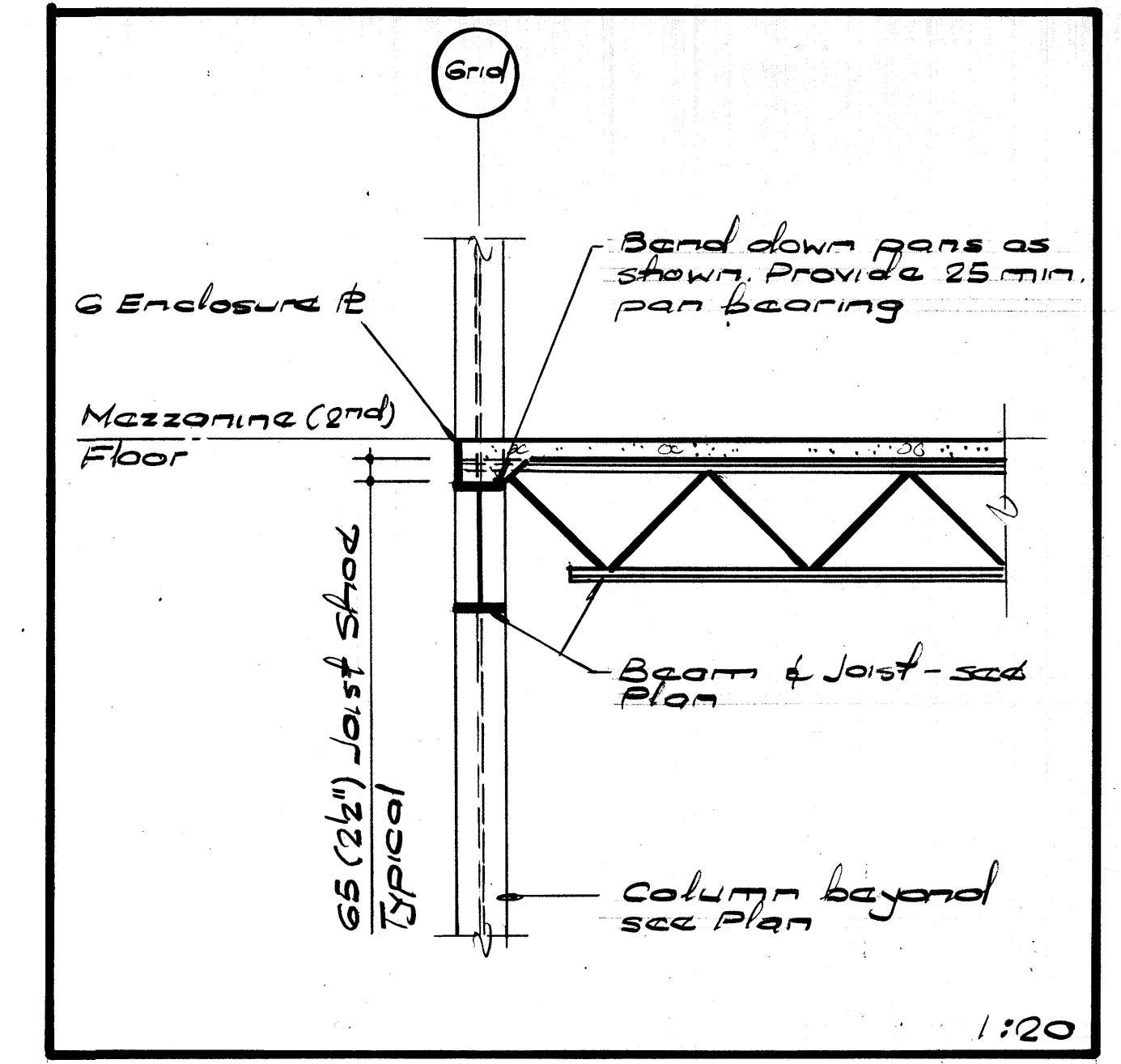
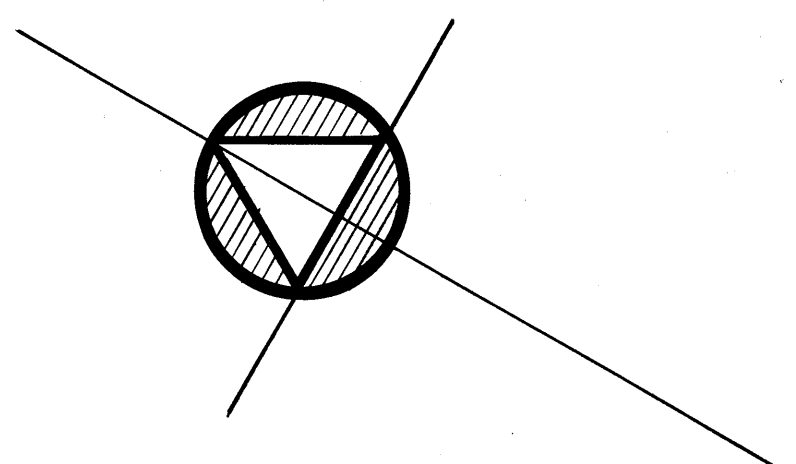
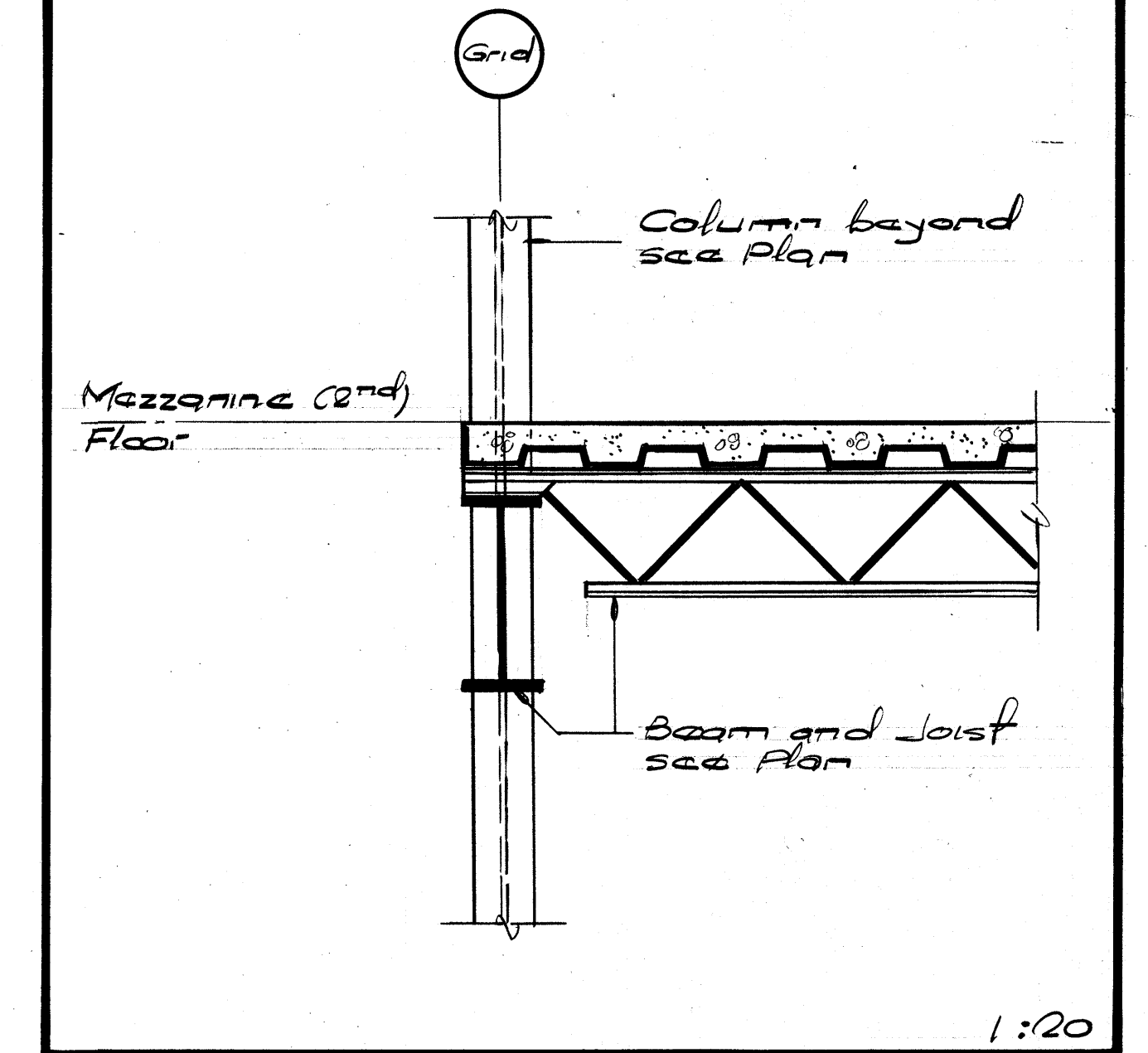


MEZZANINE FLOOR FRAMING PLAN

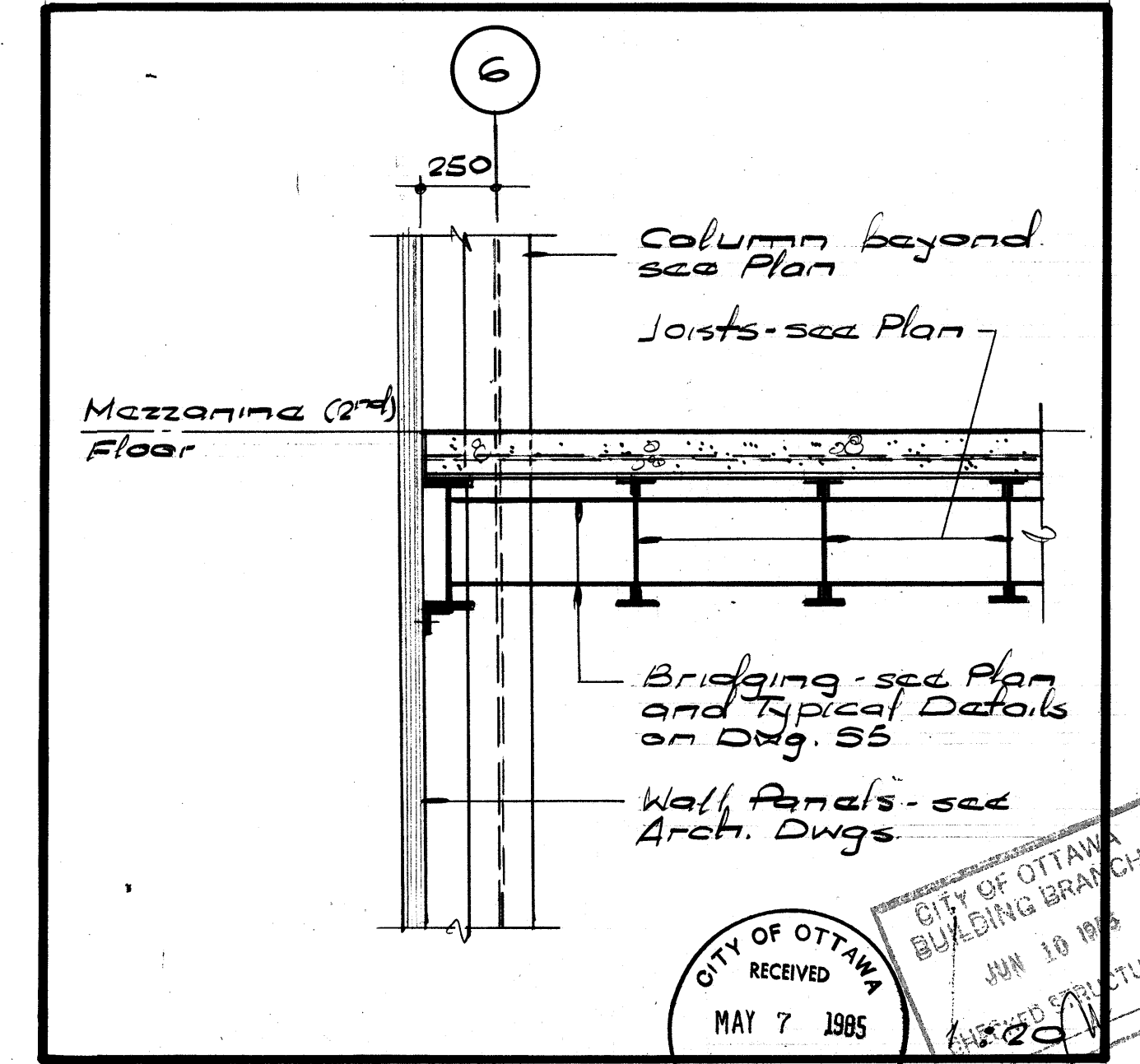
- NOTES: 1:100
- Top of Structural Slab 0 below Finished Mezzanine Floor, datum elevation (see Arch. Dwg), except as crossed and noted.
 - Top of Steel Beams 130 below Finished Mezzanine Floor except as shown thus (T.J.) on Plan.
 - Live load is 2.4 kN/m² except as crossed and noted.
 - Grade of Structural Steel to be G40.21M 300W.
 - Concrete strength to be a minimum of 20 MPa at 28 days.
 - The Floor Framing has been designed to carry a partition allowance of 1.0 kN/m² in addition to the live load.
 - "W" for O.W.S.J includes superimposed dead and live loads in kN/m².
 - "T.J" against O.W.S.J indicates a "Tie Joist" i.e. extend bottom chord and connect to supports at each end of O.W.S.J unless noted.
 - Bearing Plate dimension given last to be parallel to the beam web.
 - Provide double joists under partitions parallel to span of joists or as noted "D.J" on Plan.
 - See also Typical Details and General Notes on Dwg. 55.



SECTION 1



SECTION 2



SECTION 3

This drawing shall not be used for construction purposes unless countersigned by:

g. d. xiggors, p. eng.
 g. d. xiggors & associates Ltd.
 consulting engineers
 4111 Lawrence Avenue East
 Scarborough, Ontario M1E 2S2
 Tel. (416) 283-7208

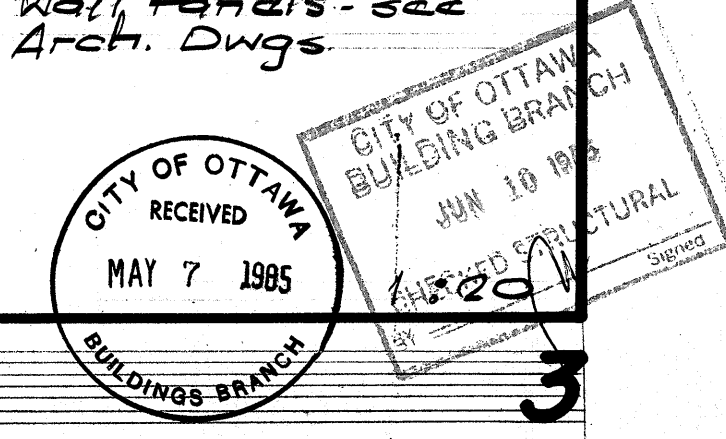
NO.	REVISIONS	DATE



PROJECT TITLE
PROPOSED WAREHOUSE HEADQUARTERS AND DISTRIBUTION CENTRE FOR HOLDER OF NORTH AMERICA
 OTTAWA CANADA

DRAWING TITLE
MEZZANINE FLOOR FRAMING PLAN AND SECTIONS

DRAWN BY L.R.S.	DATE May, 1985
CHECKED BY G.X.	DATE May, 1985
PROJECT NO. 84-11	DRAWING NO. 52
DATE ISSUED May-85	



MICROFILMED