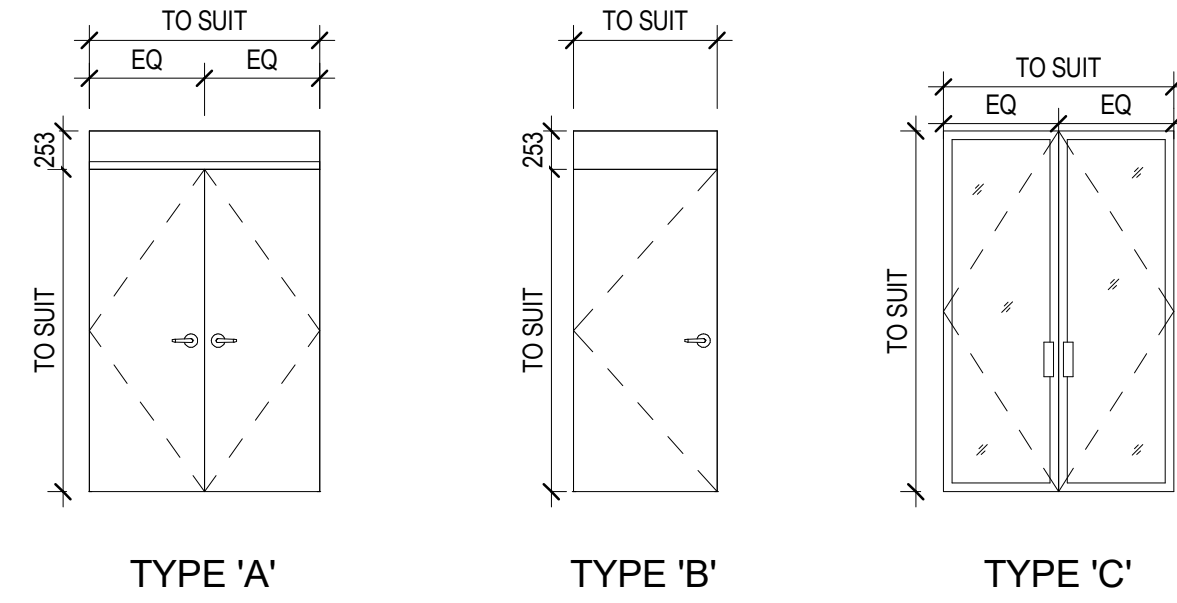
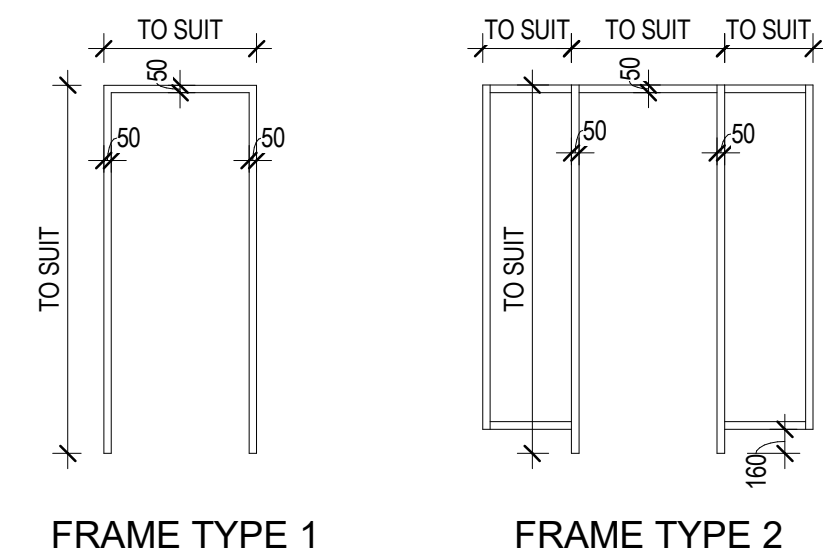


DOOR SCHEDULE											
Mark	DOOR					FRAME			FRR	Hardware Group	Description
	Height	Width	Type	Door Material	Finish	Frame Type	Frame Material	Frame Finish			
D101-a	2134	950	B	HM	PT	1	PS	PT		HG01	
D101-b	2134	1900	A	HM	PT	1	PS	PT		HG02	
D102	2134	950	B	HM	PT	1	PS	PT		HG03	
D103-a	2134	950	B	HM	PT	1	PS	PT		HG04	
D103-b	2134	950	B	HM	PT	1	PS	PT		HG05	
D106	2134	950	B	HM	PT	1	PS	PT		HG03	
D107-a	2134	950	B	HM	PT	1	PS	PT		HG04	
D107-b	2134	950	B	HM	PT	1	PS	PT		HG05	
D110	2134	950	B	HM	PT	1	PS	PT		HG06	
D111	2134	950	B	HM	PT	1	PS	PT		HG07	
D112	2134	950	B	HM	PT	1	PS	PT		HG07	
D113-a	2134	950	B	ALUM	PT	1	ALUM	PT		HG08	
D113-b	2134	1900	C	ALUM		2	ALUM	PT		HG09	
D114	2134	950	B	SCW	PT	1	PS	PT		HG10	
D115	2134	950	B	SCW	PT	1	PS	PT		HG10	
D116	2134	950	B	SCW	PT	1	PS	PT		HG11	
D117-a	2134	1015	B	HM	PT	1	PS	PT			EXISTING DOOR. NEW PAINT FINISH.
D117-b	2134	950	B	HM	PT	1	PS	PT		HG12	
D118	2134	1524	A	HM	PT	1	PS	PT			EXISTING DOOR. NEW PAINT FINISH.
D119-a	2134	950	B	HM	PT	1	PS	PT		HG01	
D119-b	2134	950	B	HM	PT	1	PS	PT		HG03	

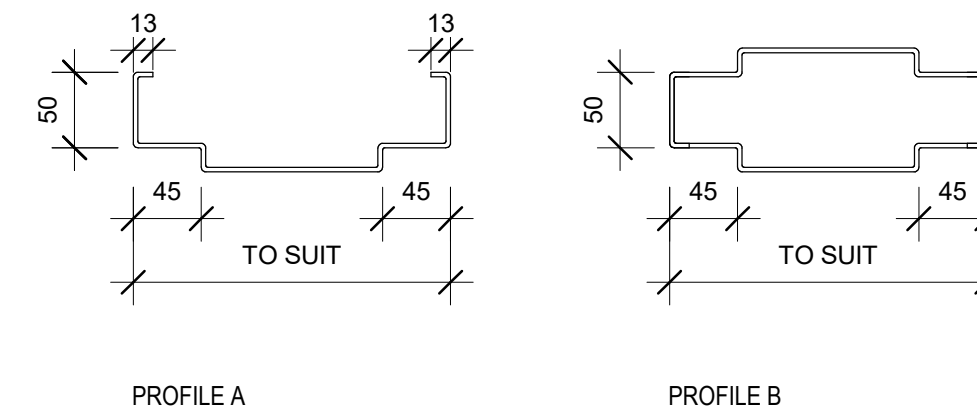
DOOR TYPE LEGEND



DOOR FRAME LEGEND



DOOR FRAME PROFILE LEGEND



GENERAL NOTES:

- ALL DIMENSIONS ARE IN MILLIMETERS UNLESS OTHERWISE NOTED.
- CONFIRM ACTUAL ROUGH OPENING SIZES BEFORE DOOR FABRICATION.
- PREPARE ALL OPENINGS TO SUIT NEW DOOR INSTALLATION.

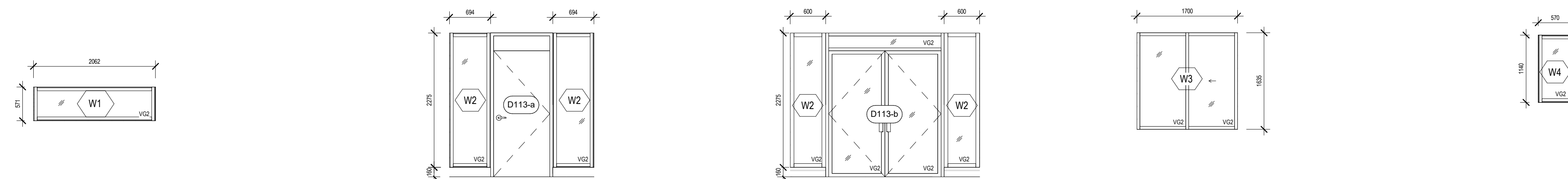
DOOR SCHEDULE LEGEND

- ALUM ALUMINUM
- BFO BARRIER FREE OPERATOR
- CRA CARD READER ACCESS
- CW CURTAIN WALL
- DLKA DOOR LOCK KEY ACCESS
- EDS ELECTRIC DOOR STRIKE
- EML ELECTROMAGNETIC LOCKS
- FAS FIRE ALARM SYSTEM
- FBFO FUTURE BARRIER FREE OPERATOR (CONDUIT AND BOX ROUGH IN ONLY)
- FG FRAMELESS GLASS
- HM HOLLOW METAL
- HM-WS HOLLOW METAL WITH WELDED STIFFENED CORE
- HMI HOLLOW METAL INSULATED
- HMI-WS HOLLOW METAL WITH WELDED STIFFENED CORE AND FIBERGLASS INSULATION
- KP KEY PAD
- OCD OVERHEAD COILING DOOR
- PS PRESSED STEEL
- PT PAINT
- SAS SECURITY ALARM SYSTEM CONTACTS
- SCW SOLID CORE WOOD
- SLBFO SINGLE LEAF BARRIER FREE OPERATOR
- TBF THERMALLY BROKEN FRAME
- TCG TEMPERED COATED GLAZING
- TGL TEMPERED GLASS
- THK THICKNESS
- VS VIDEO SURVEILLANCE
- WD WOOD

ROOM FINISH SCHEDULE

NO.	ROOM NAME	FLOOR		WALLS				CEILING		Remarks
		MAT.	BASE	North	East	South	West	MAT.	FIN.	
Ground Floor Level										
101	Splash Pad Mechanical Room	CONC.	RB	-	-	-	-	GB	PT	
102	Electrical Room	CONC.	RB	-	-	-	-	GB	PT	
103	Womens Change Room	CONC.	RB	PT1	PT1	PT1	PT1	GB	PT	
104	Showers	CONC.	RB	PT1	PT1	PT1	PT1	GB	PT	
105	Washrooms	CONC.	RB	PT1	PT1	PT1	PT1	GB	PT	
106	Janitors Closet	CONC.	RB	-	-	-	-	GB	PT	
107	Mens Change Room	CONC.	RB	PT1	PT1	PT1	PT1	GB	PT	
108	Showers	CONC.	RB	PT1	PT1	PT1	PT1	GB	PT	
109	Washrooms	CONC.	RB	PT1	PT1	PT1	PT1	GB	PT	
110	Universal Washroom	CONC.	RB	PT1	PT1	PT1	PT1	GB	PT	
111	Family Change Room	CT1	RB	PT1	PT1	PT1	PT1	GB	PT	
112	Family Change Room	CT1	RB	PT1	PT1	PT1	PT1	GB	PT	
113	Staff Room	CT1	RB	PT1	GB	PT1	PT1	GB	PT	
114	Staff Change Room	CT1	RB	PT1	PT1	GB	GB	GB	PT	
115	Staff Washroom	CT1	RB	GB	GB	GB	GB	GB	PT	
116	Office	CT1	RB	GB	PT1	GB	GLZ	GB	PT	
117	Storage Room	CONC.	RB	-	-	-	-	GB	PT	
118	Existing Pump Room	EXP.	RB	-	-	-	-	GB	PT	
119	Chemical Storage Room	EXP.	RB	-	-	-	-	GB	PT	

EXTERIOR WINDOW ELEVATIONS



GLAZING LEGEND

- VG2 VISION GLAZING DOUBLE UNIT. REFER TO SPECIFICATIONS.
- ARROW DENOTES DIRECTION OF SLIDE FOR OPERABLE WINDOWS

1 Fixed Windows - North & South Elevations
A810 1:50

2 Ext. Glazing @ North Entrance
A810 1:50

3 Ext. Glazing @ South Entrance
A810 1:50

4 Pass Through Service Window
A810 1:50

5 Window @ Splash Pad M&E
A810 1:50

CONSULTANT



1224 GARDINERS ROAD, SUITE 201, KINGSTON, ON,
CANADA K7P 0G2 | Phone: 613-634-7373 | www.wsp.com

CLIENT



MUNICIPALITY OF NORTH GRENVILLE

COPYRIGHT NOTICE

THIS DRAWING AND DESIGN IS COPYRIGHT PROTECTED.
DO NOT REPRODUCE OR REVISE WITHOUT WRITTEN PERMISSION BY ARCHITECTURE49 INC.

SEAL:

THIS BAR IS 25mm LONG WHEN PLOTTED AT CORRECT SCALE. DO NOT SCALE DRAWINGS. 25mm

NORTH ARROW: DIGITAL REFERENCE:

PROJECT NO.: 218-00153-00 CONTRACT NO.
DRAWN BY: S.D. CHECKED BY: W.P. APPROVED BY: Approver
KEYPLAN:

2 2022-07-15 A49 ADDENDUM 3
1 2022-06-17 ISSUED FOR TENDER
NO. DATE ISSUED

PROJECT

NORTH GRENVILLE POOL HOUSE

DRAWING TITLE

DOOR & FRAME SCHEDULE, ROOM FINISH SCHEDULE, AND EXTERIOR WINDOW ELEVATIONS